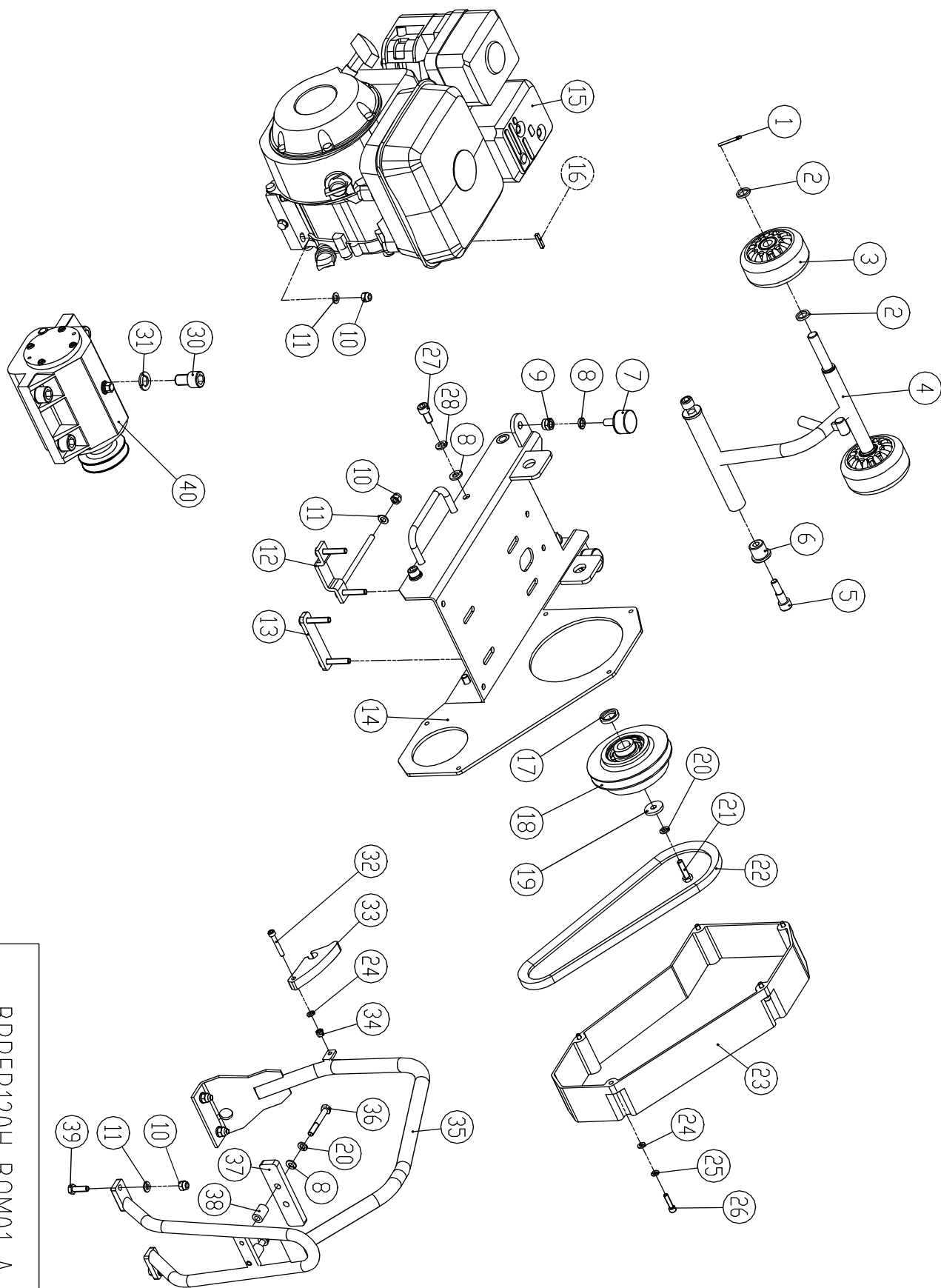


BRAVE

PARTS MANUAL

BRPFP120H FORWARD PLATE COMPACTOR

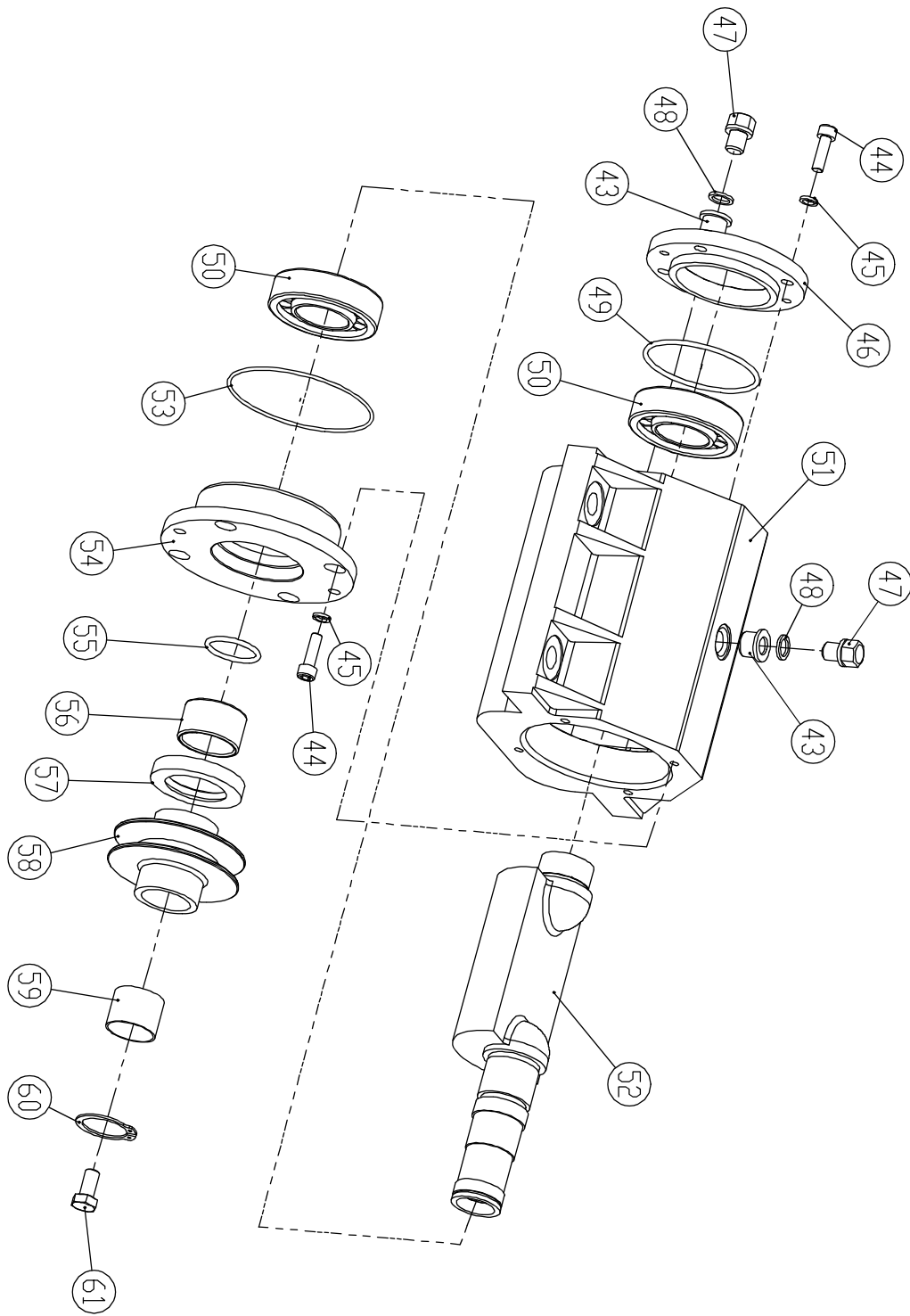




BRPFP120H-BOM01-A

BRPFP120H

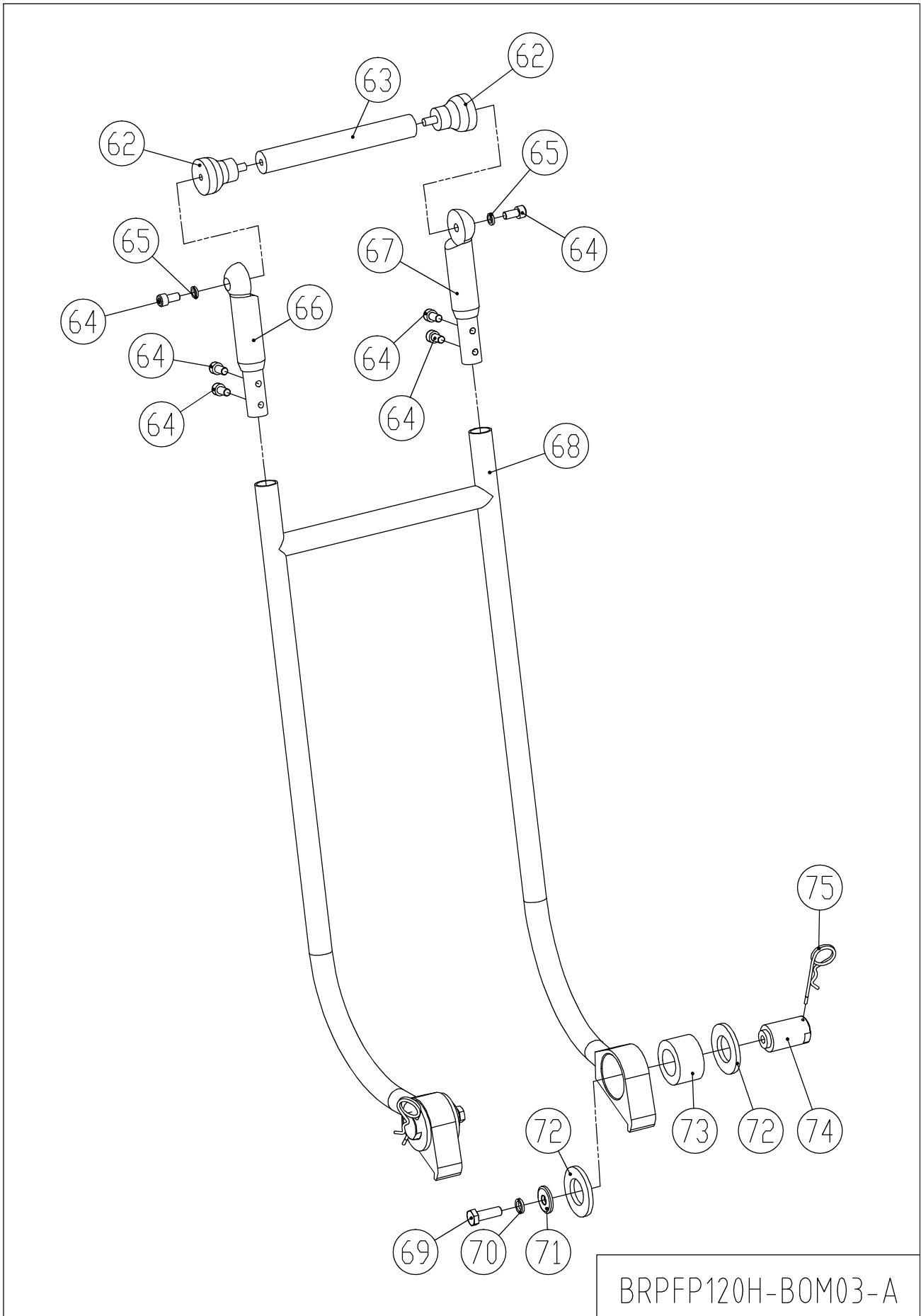
ITEM NO.	PART NO.	DESCRIPTION	QTY	REMARK
1	BR20805100	PIN	2	
2	BR41201052	NYLON WASHER	4	
3	BR41405002	WHEEL	2	
4	BR41003037	WHEEL SHAFT	1	
5	BR40401002	BOLT STOPPER	2	
6	BR41201051	NYLON SLEEVE	2	
7	BR41201017	RUBBER	2	
8	BR20501009	FLAT WASHER	16	
9	BR20405006	HEXAGONAL NUT M10-GB889	12	
10	BR20405004	LOCK NUT	5	
11	BR20501007	FLAT WASHER	5	
12	BR40302003	FIXED PLATE	1	
13	BR40302004	FIXED PLATE	1	
14	BR40802007C	ENGINE MOUNTED PLATE	1	ORANGE
15	GX160	HONDA	1	
16	KEY	ENGINE SHAFT KEY	1	COME WITH ENGINE
17	BR40504015	SHAFT SLEEVE	1	
18	BR51604001	CLUTCH	1	
19	BR40504013	WASHER	1	
20	BR20509006	SPRING WASHER	4	
21	BR20109031	HEX BOLT (Q ENGINE)	1	
22	BR21201002	BELT	1	
23	BR41205056	BELT COVER	1	
24	BR20501005	FLAT WASHER	11	
25	BR20509004	SPRING WASHER	5	
26	BR20306055	SCREW M16X25	5	
27	BR20306150	BOLT M10X20-GB70	4	
28	BR20509008	SPRING WASHER	4	
30	BR20306257	HEX HEAD SCREW M16X55	4	
31	BR20519001	WASHER	4	
32	BR20102060	HEX HEAD BOLT	1	
33	BR41205010	CLAMP	1	
34	BR20405002	HEXAGONAL NUT M6	1	
35	BR41003028	PROTECTIVE FRAME	1	
36	BR20102110	BOLT (S)	2	
37	BR40204093	WATER TANK PLATE	1	
38	BR40504181	CLAMP WASHER	2	
39	BR20102102	BOLT M8X25-GB5783	4	
40	BR51601001	VIBRATION BOX ASSY.	1	



BRPFP120H-BOM02-A

BRPFP120H

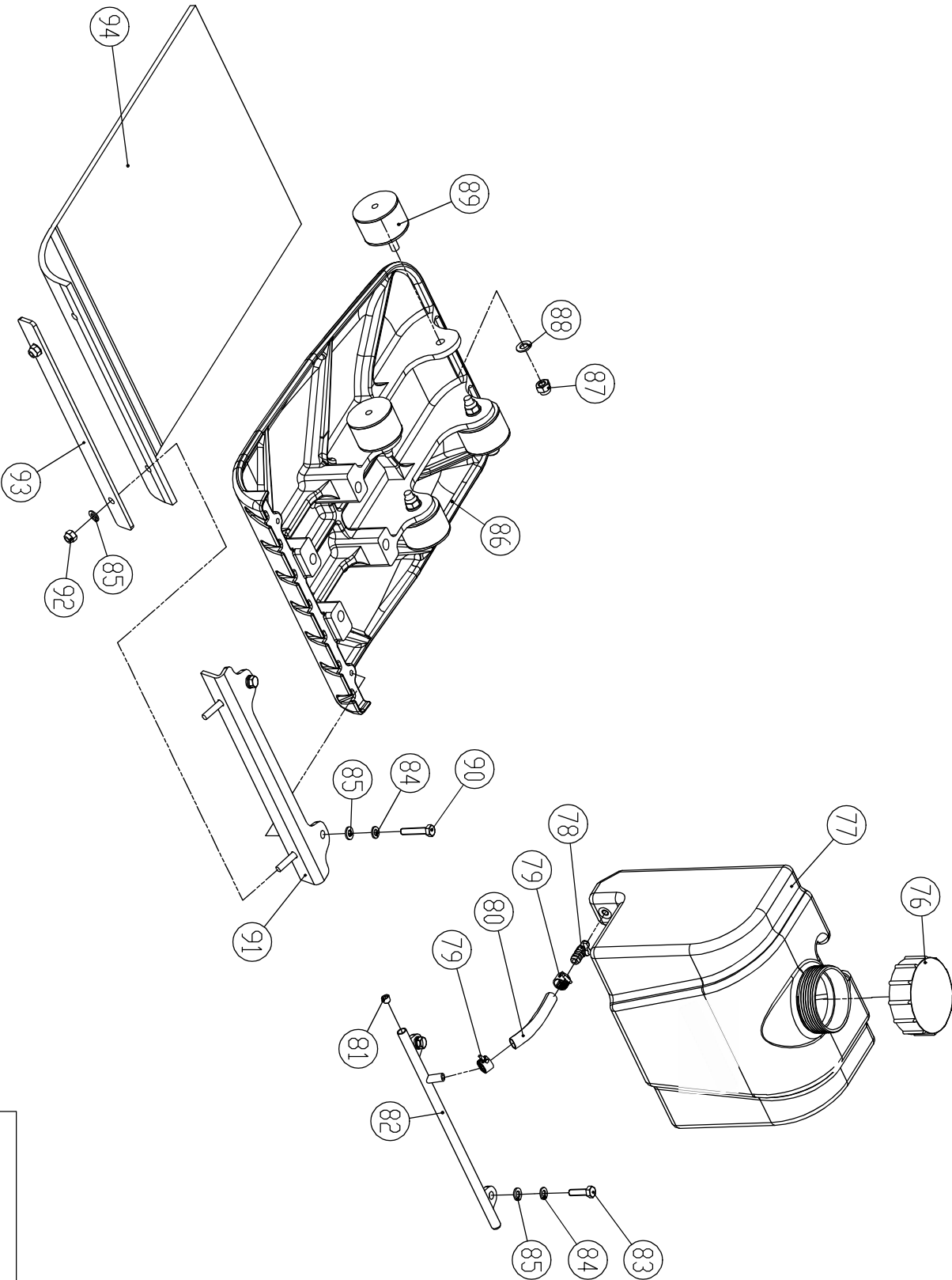
ITEM NO.	PART NO.	DESCRIPTION	QTY	REMARK
43	BR40707005	THREAD BUSHING	2	
44	BR20306053	HEX HEAD SCERW	8	
45	BR20509004	SPRING WASHER	8	
46	BR40903015	VIBRATION BOX COVER	1	
47	BR21103001	HEX HEAD PLUG	2	
48	BR21105002	GASKET	2	
49	BR21101250	O RING	1	
50	BR21004001	BEARING	2	
51	BR40901023C	VIBRATION BOX	1	ORANGE
52	BR40404003	ROTARY SHAFT	1	
53	BR21101300	O RING	1	
54	BR40903016	VIBRATION BOX COVER	1	
55	BR21101351	O RING	1	
56	BR40507004	INNER BEARING	1	
57	BR21106006	GASKET	1	
58	BR40607005	PULLEY	1	
59	BR21108001	GASKET	1	
60	BR20601011	RETAINING RING	1	
61	BR40401004	SCREW M8X16	1	



BRPFP120H-BOM03-A

BRPFP120H

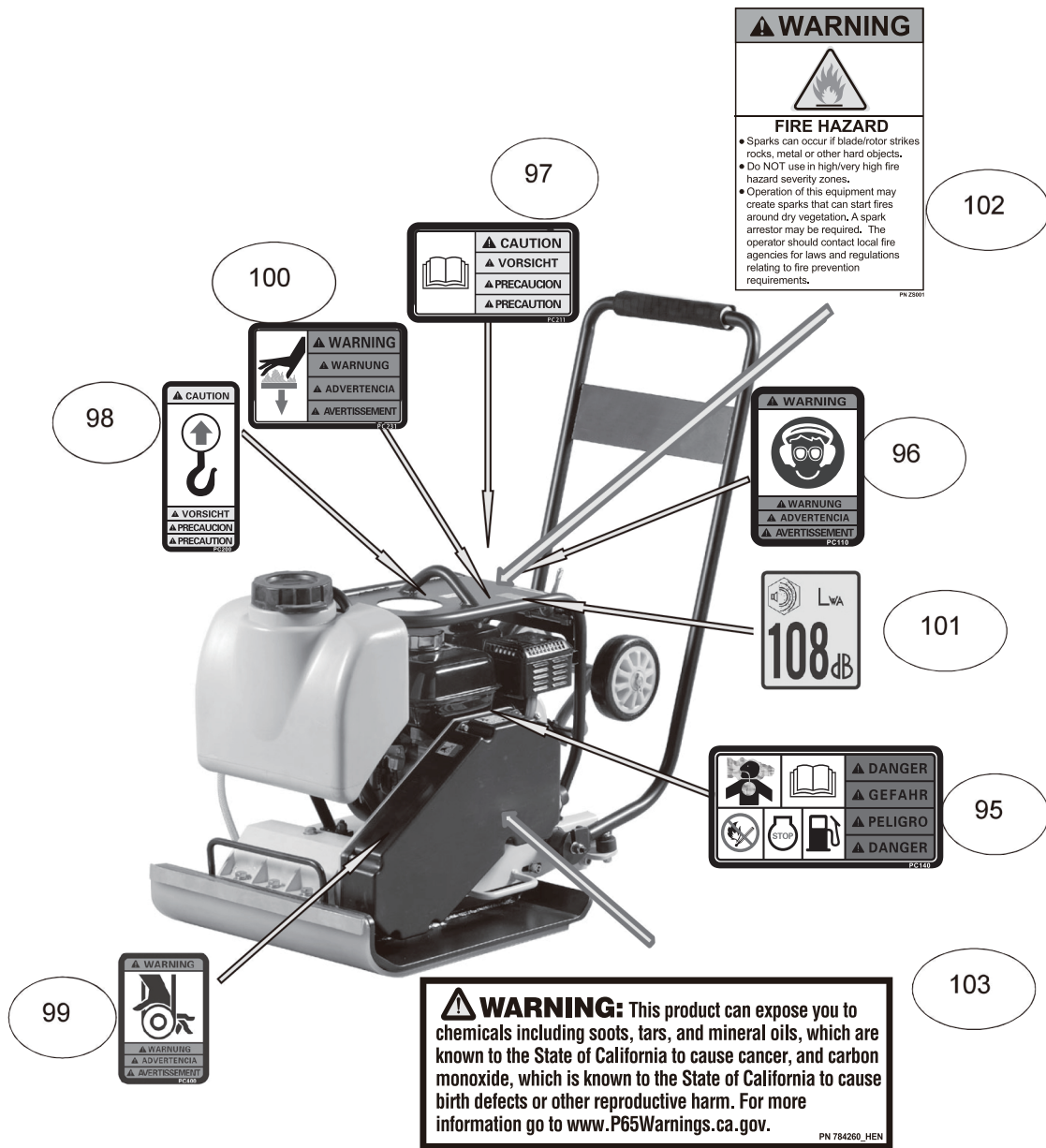
ITEM NO.	PART NO.	DESCRIPTION	QTY	REMARK
62	BR41205012	SHOCK ABSORBER	2	
63	BR40406011	HANDLE	1	
64	BR20306101	SOCKET HEAD SCREW M8X16	6	
65	BR20509006	SPRING WASHER	2	
66	BR40406004	HANDLE UPPER, LEFT	1	
67	BR40406005	HANDLE UPPER, RIGHT	1	
68	BR41003032	HANDLE UNDER	1	
69	BR20102152	HEX HEAD SCREW M10x25	2	
70	BR20509008	SPRING WASHER	2	
71	BR40504010	FLAT WASHER	2	
72	BR41201054	NYLON WASHER	4	
73	BR41201050	NYLON SLEEVE	2	
74	BR40402006	SHAFT	2	
75	BR40103010	SPRING CLIP	2	







BRPFP120H-BOM04-A

BRPFP120H

ITEM NO.	PART NO.	DESCRIPTION	QTY	REMARK
76	BR41205014	WATER TANK COVER	1	
77	BR41207002	WATER TANK	1	
78	BR41403010	COCK, WATER TANK	1	
79	BR41406008	CLAMP	2	
80	BR41002051	SPRINKLING PIPE	1	
81	BR21199014	NYLON PLUG	2	
82	BR40305155	SPRINKLING PIPE	1	
83	BR20102101	BOLT M8X20 GB5783	2	
84	BR20509006	SPRING WASHER	2	
85	BR20501007	FLAT WASHER	4	
86	BR40803002	CASTING BASE PLATE	1	
87	BR20405006	HEXAGONAL NUT M10-GB889	4	
88	BR20501009	FLAT WASHER	4	
89	BR41201003	SHOCK ABSORBER	4	
90	BR20102105	BOLT M8X20-GB5783	2	
91	BR40203378	MOUNTING PLATE	1	
92	BR20405004	LOCK NUT	2	
93	BR40203379	RUBBER MAT PLATE	1	
94	BR120-RM	RUBBER MAT	1	41203003



Item No	ERP No	Label	Meaning
95	BR70701002		<p>DANGER! Engines emit carbon monoxide; operate only in well-ventilated area. Read the Operation Manual for machine information. No sparks, flames, or burning objects near the machine. Shut off the engine before refueling. Use only clean, filtered unleaded gasoline.</p>
96	BR70701001		<p>WARNING! Always wear hearing and eye protection when operating this machine.</p>
97	BR70701006		<p>CAUTION! Read and understand the supplied Operation Manual before operating the machine. Failure to do so increase the risk of injury to yourself or others.</p>
98	BR70701004		<p>CAUTION ! Lifting point.</p>
99	BR70701010		<p>WARNING! Hand injury if caught in moving belt. Always replace belt guard.</p>

Item No	ERP No	Label	Meaning
100	BR70701009		WARNING! Hot surface!
101	BR70701054		Guaranteed sound power level in dB(A).
102	BR70701337		WARNING! Fire hazard.
103	BR70702103		WARNING! Exposure hazard.

BRAVE

A brand of Great Northern Equipment Distributing, Inc.
20195 South Diamond Lake Road, STE 100
Rogers, MN 55374
800-350-8739
www.braveproducts.com