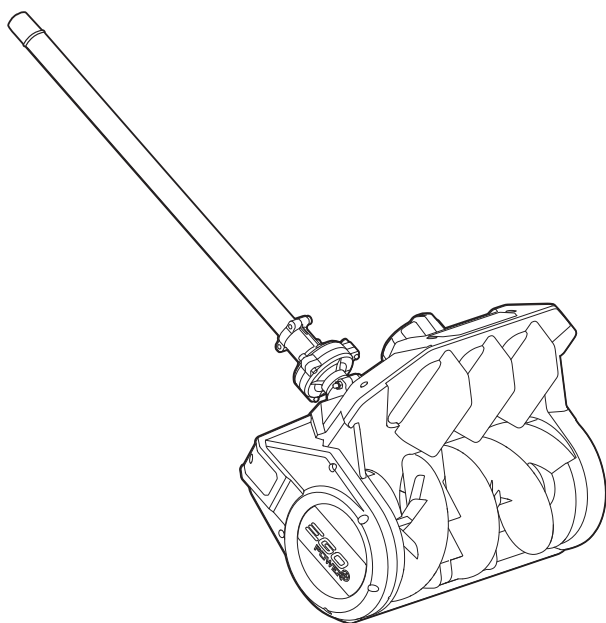




POWER⁺ SNOW SHOVEL ATTACHMENT



EXCLUSIVELY FOR USE WITH EGO
POWER HEAD PH1400/PH1400-FC

OPERATOR'S MANUAL
**SNOW SHOVEL
ATTACHMENT**

MODEL NUMBER SSA1200/SSA1200-FC

Français p. 25

Español p. 51

⚠ WARNING: To reduce the risk of injury, the user must read and understand the Operator's Manual before using this product. Save these instructions for future reference.



TABLE OF CONTENTS

Safety Symbols.	4
Safety Instructions.	5-9
Introduction.	10
Specifications.	10
Packing List.	11
Description	12-13
Assembly.	14-15
Operation.	16-18
Maintenance.	19-20
Troubleshooting.	21
Warranty	22-24

READ ALL INSTRUCTIONS!



READ & UNDERSTAND
OPERATOR'S MANUAL

⚠ WARNING: Some dust created by power sanding, sawing, grinding, drilling and other construction activities contains chemicals known to the state of California to cause cancer, birth defects or other reproductive harm. Some examples of these chemicals are:

- Lead from lead-based paints
- Crystalline silica from bricks and cement and other masonry products, and
- Arsenic and chromium from chemically-treated lumber.

Your risk from these exposures varies, depending on how often you do this type of work. To reduce your exposure to these chemicals: work in a well ventilated area, and work with approved safety equipment, such as those dust masks that are specially designed to filter out microscopic particles.

SAFETY SYMBOLS

The purpose of safety symbols is to attract your attention to possible dangers. The safety symbols and the explanations with them deserve your careful attention and understanding. The symbol warnings do not, by themselves, eliminate any danger. The instructions and warnings they give are no substitutes for proper accident prevention measures.

⚠ WARNING: Be sure to read and understand all safety instructions in this Operator's Manual, including all safety alert symbols such as "**DANGER**," "**WARNING**," and "**CAUTION**" before using this tool. Failure to following all instructions listed below may result in electric shock, fire, and/or serious personal injury.

SYMBOL MEANING

⚠ SAFETY ALERT SYMBOL: Indicates **DANGER**, **WARNING**, or **CAUTION**. May be used in conjunction with other symbols or pictographs.





⚠ WARNING! The operation of any power tools can result in foreign objects being thrown into your eyes, which can result in severe eye damage. Before beginning power tool operation, always wear safety goggles or safety glasses with side shield and a full face shield when needed. We recommend a Wide Vision Safety Mask for use over eyeglasses or standard safety glasses with side shields. Always use eye protection which is marked to comply with ANSI Z87.1.

SAFETY INSTRUCTIONS

This page depicts and describes safety symbols that may appear on this product. Read, understand, and follow all instructions on the machine before attempting to assemble and operate it.

	<p>Safety Alert</p>	<p>Indicates a potential personal injury hazard.</p>
	<p>Read And Understand Operator's Manual</p>	<p>To reduce the risk of injury, user must read and understand the operator's manual before using this product.</p>
	<p>Wear Eye Protection</p>	<p>Always wear safety goggles or safety glasses with side shields and a full face shield when operating this product.</p>
	<p>Safe Distance</p>	<p>Keep bystanders a safe distance from the machine.</p>
	<p>DANGER — Keep Hands Away from the Impeller</p>	<p>Do not use hands to unclog the auger assembly.</p>
	<p>Keep Feet Out of Impeller</p>	<p>Keep feet away from rotating impeller</p>
	<p>DANGER — Keep Hands and Feet Away</p>	<p>To reduce the risk of injury, keep hands and feet away from rotating parts. Do not operate unless discharge chute is in its proper place. If damaged, replace immediately.</p>
	<p>Thrown objects</p>	<p>Thrown objects can ricochet and result in personal injury or property damage.</p>

	Li-ion RBRC seal	Designates Li-ion battery recycling program
IPX4	Ingress Protection Degree	Protection from splashing water
V	Volt	Voltage
	Direct Current	Type or a characteristic of current
mm	millimeter	Length or size
in.	Inch	Length or size
Ft.	Feet	Length or size
kg	Kilogram	Weight
lb.	Pound	Weight

SNOW SHOVEL ATTACHMENT SAFETY WARNINGS

⚠ DANGER! This snow shovel attachment is capable of amputating hands and feet and throwing objects. Failure to observe the following safety instructions could result in serious injury.

FOR ALL SNOW SHOVEL ATTACHMENT

- Walk. Do not run.
- Do not use on graveled surface unless the snow shovel attachment is adjusted for such a surface in accordance with the operator's manual.
- Keep Children Away – All visitors should be kept a safe distance from work area.
- Dress Properly – Do not wear loose clothing or jewelry. They can be caught in moving parts.
- Wear rubber boots when operating the snow shovel attachment.
- Keep hands away from moving parts.
- Keep guards in place and in working order.
- Don't Force Snow Shovel Attachment – It will perform better and safer at the rate for which it was designed.
- Don't Overreach – Keep proper footing and balance at all times.
- If the snow shovel attachment strikes a foreign object follow these steps:
 - 1) Stop snow shovel attachment. Release the switch.
 - 2) Remove the battery pack.
 - 3) Inspect for damage.
 - 4) Repair any damage before restarting and operating the snow shovel attachment.
- Store Idle Snow Shovel Attachment Indoors – When not in use, snow shovel attachment should be stored indoors in dry, locked-up place – out of reach of children.
- Maintain Snow Shovel Attachment with Care – Following instructions for lubricating and changing accessories.

TRAINING

- Read, understand and follow all instructions on the machine and in the manual(s) before operating this tool. Be thoroughly familiar with the controls and the proper use of the equipment. Know how to stop the tool and disengage the controls quickly.

- Never allow children to operate the equipment. Never allow adults to operate the equipment without proper instruction.
- Keep the area of operation clear of all persons, particularly small children.
- Exercise caution to avoid slipping or falling, especially when operating the snow shovel attachment in reverse.

OPERATION

- Prevent unintentional starting. Ensure the switch is in the off-position before connecting to battery pack, picking up or carrying the appliance. Carrying the appliance with your finger on the switch or energizing the appliance that has the switch on invites accidents.
- Do not put hands or feet near or under rotating parts.
- Exercise extreme caution when operating on or crossing gravel drives, walks, or roads. Stay alert for hidden hazards or traffic.
- After striking a foreign object, stop the motor, remove the battery pack, thoroughly inspect the snow shovel attachment for any damage, and repair the damage before restarting and operating the snow shovel attachment.
- If the tool should start to vibrate abnormally, stop the tool and check immediately for the cause. Vibration is generally a warning of trouble.
- Stop the tool whenever you leave the operating position, before unclogging the auger assembly housing, and when making any repairs, adjustments or inspections.
- When clearing, repairing or inspecting the snow shovel attachment, stop the tool and make certain the auger assembly has stopped. Remove the battery pack to prevent someone from accidentally starting the tool.
- Exercise extreme caution when operating on slopes.
- Never operate the snow shovel attachment without proper guards and other safety protective devices in place and working.
- Never direct the discharge toward people or areas where property damage can occur. Keep children and others away.
- Do not overload the machine capacity by attempting to clear snow at too fast a rate.
- Disengage power when snow shovel attachment is transported or not in use.
- Use only attachments and accessories approved by the manufacturer of the snow shovel attachment.

- Never operate the snow shovel attachment without good visibility or light. Always be sure of your footing, and keep a firm hold on the handles. Walk; never run.
- Do not expose a battery pack or tool to fire or excessive temperature. Exposure to fire or temperature above 212 °F (100°C) may cause explosion.
- Use only with the battery packs and chargers listed below:

BATTERY PACK	CHARGER
BA1400, BA1400-FC, BA2800, BA2800-FC, BA4200, BA4200-FC, BA1400T, BA1400T-FC, BA2240T, BA2240T-FC, BA2242T, BA2242T-FC, BA2800T, BA2800T-FC, BA4200T, BA4200T-FC, BA5600T, BA5600T-FC, BA6720T, BA6720T-FC	CH2100, CH2100-FC, CH3200, CH3200-FC, CH5500, CH5500-FC, CH2800D, CH2800D-FC, CH7000, CH7000-FC

CLEARING A CLOGGING AUGER ASSEMBLY

Hand contact with the rotating auger assembly is the most common cause of injury associated with snow shovel attachment. Never use your hand to clean out the rotating auger assembly.

To clear the auger assembly:

- **SHUT THE TOOL OFF!**
- Remove the battery pack from the tool.
- Wait 10 seconds to be sure the auger has stopping rotating.
- Always use the auger clean tool which is attached to the machine as an accessory, do not use your hand.

MAINTENANCE AND STORAGE

- Check all bolts or fasteners at frequent intervals for proper tightness to be sure the equipment is in safe working condition.
- Always refer to operator's manual for important details if the snow shovel attachment is to be stored for an extended period.
- Maintain or replace safety and instruction labels, as necessary.
- Run the machine a few minutes to prevent freeze-up of the auger assembly.

SAVE THESE INSTRUCTIONS. Refer to them frequently and use them to instruct others who may use this tool. If you lend this tool to someone else, also lend these instructions to them to prevent misuse of the product and possibly injury.



INTRODUCTION


Congratulations on your selection of the EGO SNOW SHOVEL ATTACHMENT. It has been designed, engineered and manufactured to give you the best possible dependability and performance.

Should you experience any problem you cannot easily remedy, please contact EGO customer service center 1-855-EGO-5656.

This manual contains important information on to the safe assembly, operation and maintenance of your product. Read it carefully before using the product. Keep this manual handy so you can refer to it at any time.

SERIAL NUMBER _____ DATE OF PURCHASE _____
YOU SHOULD RECORD BOTH SERIAL NUMBER AND DATE OF PURCHASE AND KEEP IN A SAFE PLACE FOR FUTURE REFERENCE.

SPECIFICATIONS

Rated Voltage	56V 
No-load Speed	1420±10% rpm 1750±10% rpm
Clearing Width	12 in (30cm)
Throw distance	Up to 25 ft. (7.5 m)
Intake Height	6 in (15cm)
Recommended Operating Temperature	14°F – 50°F (-10°C – 10°C)
Recommended Storage Temperature	-4°F – 158°F (-20°C – 70°C) * For the appliance WITHOUT battery pack
Weight	11.4 lb. (5.2 kg)

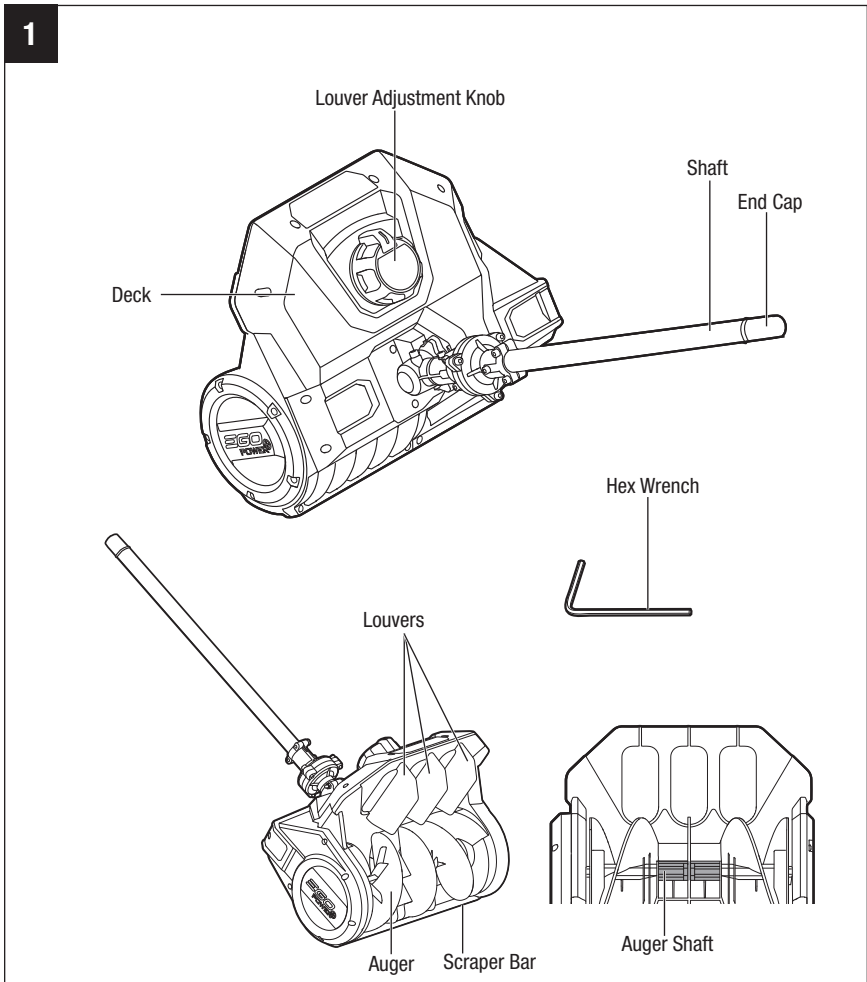
PACKING LIST

PART NAME	QUANTITY
Snow shovel attachment	1
Hex wrench	1
End cap	1

DESCRIPTION

KNOW YOUR SNOW SHOVEL ATTACHMENT (Fig. 1)

The safe use of this product requires an understanding of the information on the tool and in this operator's manual, as well as knowledge of the project you are attempting. Before using this product, familiarize yourself with all operating features and safety rules.



Scraper Bar

Removes the bottom layer of snow from the surface you are clearing.

Louver Adjustment Knob

Rotation of the knob controls the direction of the louvers.

Louvers

The louvers direct the snow discharge in desired direction.

ASSEMBLY

⚠ WARNING: If any parts are damaged or missing, do not operate this product until the parts are replaced. Use of this product with damaged or missing parts could result in serious personal injury.

⚠ WARNING: Do not attempt to modify this product or create accessories not recommended for use with this product. Any such alteration or modification is misuse and could result in a hazardous condition leading to possible serious personal injury.

UNPACKING

- Inspect the tool carefully to make sure that no breakage or damage occurred during shipping.
- Do not discard the packing material until you have carefully inspected and satisfactorily operated the tool.
- If any parts are damaged or missing, please return the product to the place of purchase.

CONNECTING THE SNOW SHOVEL ATTACHMENT TO THE POWER HEAD

⚠ WARNING: Never attach or adjust any attachment while the power head is running or with the battery installed. Failure to stop the motor and remove the battery may cause serious personal injury.

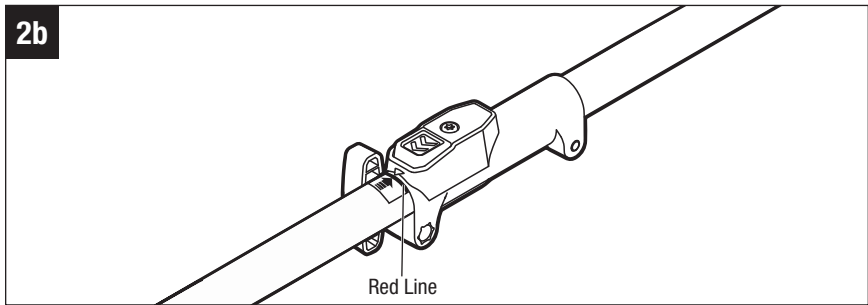
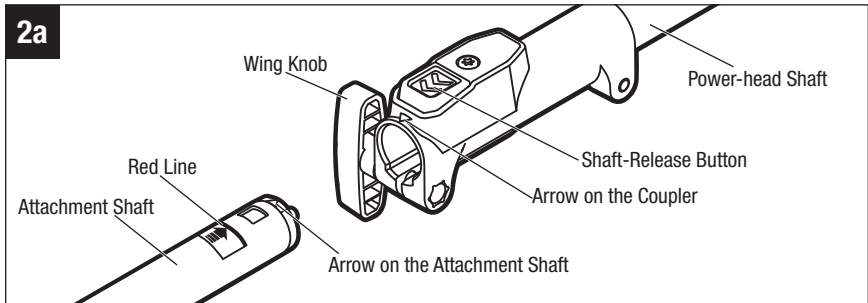
This snow shovel attachment is designed for use only with EGO Power Head PH1400/PH1400-FC.

The snow shovel attachment connects to the power head by means of a coupler device.

1. Stop the motor and remove the battery pack.
2. Loosen the wing knob on the power-head coupler.
3. Remove the end cap on the snow shovel attachment and save it in a safe place for later use. Align the arrow on the snow shovel shaft with the arrow on the coupler (Fig. 2a) and push the snow shovel shaft into the coupler until you hear a clear “CLICK” sound. The coupler should be positioned all the way to the RED LINE labeled on the snow shovel shaft: the red line must be flush with the coupler edge (Fig. 2b).

4. Pull the shaft of the snow shovel attachment to verify that it is securely locked into the coupler. If not, rotate the snow shovel shaft from side to side in the coupler until a clear “CLICK” sound indicates that it is engaged.
5. Tighten the wing knob securely.

⚠ WARNING: Be certain that the wing knob is fully tightened before operating the equipment; check it periodically for tightness during use to avoid serious personal injury.



REMOVING THE ATTACHMENT FROM THE POWER HEAD

1. Stop the motor and remove the battery pack.
2. Loosen the wing knob.
3. Press the shaft-release button and, with the button depressed, pull or twist the attachment shaft out of the coupler.

OPERATION

⚠ WARNING: Do not allow familiarity with this product to make you careless. Remember that a careless fraction of a second is sufficient to inflict serious injury.

⚠ WARNING: Always wear eye protection which is marked to comply with ANSI Z87.1. Failure to do so could result in objects being thrown into your eyes and other possible serious injuries.

⚠ WARNING: To prevent serious personal injury, remove the battery pack from the tool before servicing, cleaning, changing attachments or removing material from the tool.

⚠ WARNING: Do not use any attachments or accessories not recommended by the manufacturer of this product. The use of attachments or accessories not recommended can result in serious personal injury.

APPLICATIONS

This snow shovel attachment is most ideal for clearing snow from sidewalks, steps, decks, patios, and smaller driveways when snow depth is under 6 inches (15 cm).

USING THE SNOW SHOVEL ATTACHMENT WITH POWER HEAD

⚠ WARNING: Never use snow shovel attachment on frozen lakes, rivers or similar surfaces. Death or serious injury could occur if the ice breaks.

⚠ WARNING: Never use the snow shovel attachment on a rooftop or other unstable surface, which can result in death or serious injury.

⚠ WARNING: Do not use the snow shovel attachment on ice, which can cause the operator to slip and fall, resulting in possibly serious personal injury.

⚠ WARNING: Do not wear loose clothing, scarves, or jewelry. They can be caught in moving parts and cause death or serious personal injury.

⚠ WARNING: Never point the snow shovel attachment in the direction of people or pets. Thrown snow or other objects can cause serious personal injury.

⚠ WARNING: Make sure that the area to be cleared is free of stones, sticks, wires, gravel, and other objects that could be accidentally thrown by the snow shovel attachment in any direction and cause serious personal injury to the operator and others.

When using the snow shovel attachment, hold the tool with a firm grip with both hands while in operation (Fig. 3).

- Take notice of the direction of the wind before beginning. When possible, discharge snow in the same direction as the wind to prevent snow from being thrown back into your face.
- Some parts of the snow shovel attachment can freeze under extreme weather conditions. Do not attempt to operate the tool with frozen parts.
- If the tool contacts with any type of obstruction during operation, stop it and remove the battery pack. Check the tool carefully before using.
- If the snow is too thick and deeper than the clearing depth, it may take more than one pass to clear.
- When finished, allow the tool to run for several minutes to allow all snow to clear the auger before storing.



TO START/STOP THE TOOL

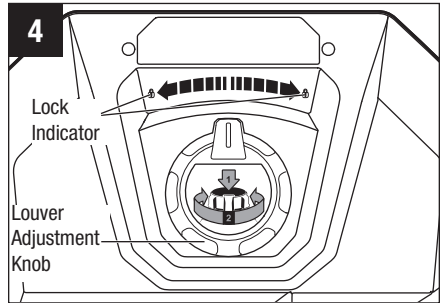
See “**STARTING/STOPPING THE POWER HEAD**” section in the operator’s manual for PH1400/PH1400-FC 56-volt power head.

LOUVER ADJUSTMENT KNOB (Fig.4)

The direction of the snow discharge can be changed by rotating the louver adjustment knob. The snow discharge can be directed to the left, straight ahead, or to the right.

The maximum turn of the knob is 60° (30° to the left or to the right).

Once the knob reaches the leftmost or rightmost position, it will get locked in that position. To unlock it, press the knob down and rotate it toward the center. After unlocking, the knob can be rotated again.



MAINTENANCE

⚠ WARNING: When servicing, use only EGO genuine replacement parts. Use of any other parts may create a hazard or cause product damage. To ensure safety and reliability, all repairs should be performed by a qualified service technician.

⚠ WARNING: To prevent serious personal injury, remove the battery pack from the power head before inspecting, cleaning, performing maintenance or changing add-on attachments.

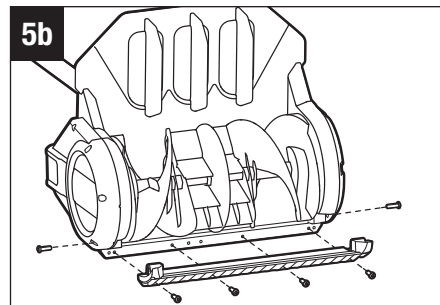
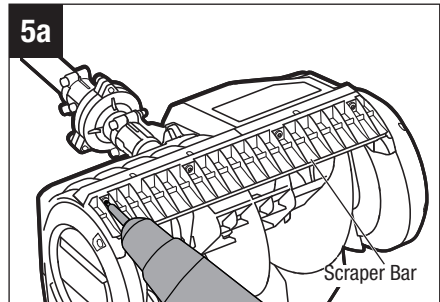
GENERAL MAINTENANCE

Avoid using solvents when cleaning plastic parts. Most plastics are susceptible to damage from various types of commercial solvents and may be damaged by their use. Use clean cloths to remove dirt, dust, oil, grease, etc.

⚠ WARNING: When cleaning the snow shovel attachment, DO NOT immerse it in water or other liquids.

MOUNTING AND DETACHING THE SCRAPER BAR

1. Remove the battery pack from the power head.
2. Lay the snow shovel attachment on its side or any other convenient position for scraper bar service.
3. Remove the four screws that are located on the scraper bar, as well as the two screws at both ends. Use a T20 screwdriver (not included) to unscrew them (Fig. 5a & 5b).
4. Replace the worn scraper bar with a new one.
5. To reassemble, first insert the new scraper bar, with the six holes aligned, insert the six screws into the holes and secure them with a screwdriver (not included).

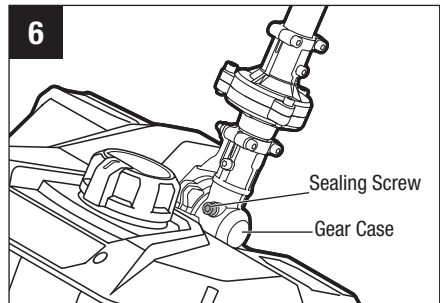


TRANSMISSION GEARS LUBRICATION

The transmission gears in the gear case need be lubricated periodically with gear grease. Check the gear case grease level about every 50 hours of operation by removing the sealing screw on the side of the case.

If no grease can be seen on the sides of the gear, follow the steps below to fill with the gear case with grease up to 3/4 capacity. Do not completely fill the transmission gear case.

1. Position the edger upright so that the sealing screw is facing upwards (Fig. 6).
2. Use the multi-function wrench provided to loosen and remove the sealing screw.
3. Use a grease syringe (not included) to inject some grease into the screw hole; do not exceed 3/4 capacity.
4. Tighten the sealing screw after injection.



TRANSPORTING AND STORING

- Remove the battery pack from the tool.
- Clean the tool thoroughly before storing it.
- Store the tool in a dry, well-ventilated area, locked-up or up high, out of the reach of children. Do not store the tool on or adjacent to fertilizers, gasoline, or other chemicals.

TROUBLESHOOTING

PROBLEM	CAUSE	SOLUTION
The snow shovel does not start.	<ul style="list-style-type: none"> ■ The battery is not charged. ■ The lock-off button or trigger switch is not used properly. ■ The battery is not fully inserted into the housing. 	<ul style="list-style-type: none"> ■ Charge the battery. ■ Follow the section “STARTING/STOPPING THE POWER HEAD” in the manual for PH1400/PH1400-FC. ■ Check if the battery is fully inserted into the housing.
The machine is visibly damaged.	<ul style="list-style-type: none"> ■ Accidental damage during transportation or use. 	<ul style="list-style-type: none"> ■ Do not continue to use, contact EGO customer service.
The snow shovel leaves a thin layer.	<ul style="list-style-type: none"> ■ The scraper bar is worn. 	<ul style="list-style-type: none"> ■ Replace the scraper bar.
Unexpected shutdown during work. No snow is thrown from the deck.	<ul style="list-style-type: none"> ■ Machine is overloaded. The auger is completely jammed by the heavy snow. ■ The battery pack or the machine is overheated. 	<ul style="list-style-type: none"> ■ Remove the snow from the auger and reduce the machine load intensity. ■ Allow the battery and/or tool to cool down before resuming work.



WARRANTY

EGO WARRANTY POLICY

5-year limited warranty on EGO POWER+ outdoor power equipment and portable power for personal, household use.

3-year limited warranty on EGO POWER+ System battery packs and chargers for personal, household use. An additional 2-year extended warranty applies for the 10.0Ah/12.0Ah battery whether sold separately (Model# BA5600T/BA6720T) or included with any tool, if it is registered within 90 days of purchase. 5-year limited warranty on CHV1600 charger, designed for use with Zero Turn Riding Mower for personal, household use.

2 year/1year limited warranty on EGO outdoor power equipment, portable power, battery packs, and chargers for professional and commercial use.

The detailed warranty periods by products can be found online at <http://egopowerplus.com/warranty-policy>.

Please contact EGO Customer Service Toll-Free at 1-855-EGO-5656 any time you have questions or warranty claims.

LIMITED SERVICE WARRANTY

EGO products are warranted against defects in material or workmanship from the date of original retail purchase for the applicable warranty period. Defective product will receive free repair.

- a) This warranty applies only to the original purchaser from an authorized EGO retailer and may not be transferred. Authorized EGO retailers are identified online at <http://egopowerplus.com/warranty-policy>.
- b) The warranty period for reconditioned or factory certified products used for residential purpose is 1 year, for industrial, professional or commercial purpose is 90 days.

- c) The warranty period for routine maintenance parts, such as, but not limited to, ride-on mower seat, wheels, tires, anti-scalp wheels, brake disc, friction block, blades, trimmer heads, chain bars, saw chains, belts, scraper bars, rubber paddles, augers, skid shoes, blower nozzles, and all other EGO accessories is 90 days for residential purpose, 30 days for industrial, professional or commercial purpose. These parts are covered for 90/30 days from manufacture defects in normal working conditions.
- d) This warranty is void if the product has been used for rental purpose.
- e) This warranty does not cover the damage resulting from modification, alteration or unauthorized repair.
- f) This warranty only covers defects arising under normal usage and does not cover any malfunction, failure or defect resulting from misuse, abuse (including overloading of the product beyond capacity and immersion in water or other liquid), accidents, neglect or lack of proper installation, and improper maintenance or storage.
- g) This warranty does not cover normal deterioration of the exterior finish, including but not limited to scratches, dents, paint chips, or to any corrosion or discoloring by heat, abrasive and chemical cleaners.

HOW TO OBTAIN SERVICE

For warranty service, please contact EGO customer service toll-free at **1-855-EGO-5656**. When requesting warranty service, you must present the original dated sales receipt. An authorized service center will be selected to repair the product according to the stated warranty terms. When bringing your product to the authorized service center, there may be a small deposit that will be required when dropping off your tool. This deposit is refundable when the repair service is deemed to be covered under warranty.

ADDITIONAL LIMITATIONS

To the extent permitted by applicable law, all implied warranties, including warranties of MERCHANTABILITY or FITNESS FOR A PARTICULAR PURPOSE, are disclaimed. Any implied warranties, including warranties of merchantability or fitness for a particular purpose, that cannot be disclaimed under state law are limited to the applicable warranty period defined at the beginning of this article.

Chervon North America is not responsible for direct, indirect, incidental or consequential damages.

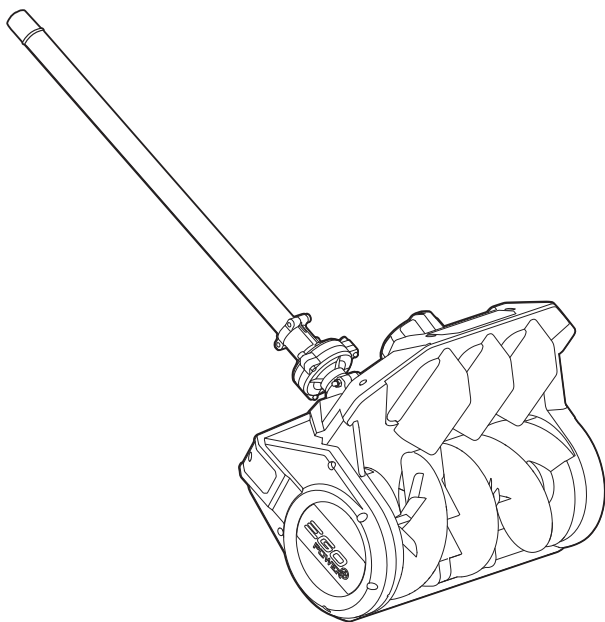
Some states do not allow limitations on how long an implied warranty lasts and/or do not allow the exclusion or limitation of incidental or consequential damages, so the above limitations may not apply to you.

This warranty gives you specific legal rights, and you may also have other rights which vary from state to state.

For customer service contact us toll-free at: **1-855-EGO-5656** or **EGOPOWERPLUS.COM**.
EGO Customer Service, 769 SEWARD AVE NW / Suite 102 Grand Rapids, MI 49504

EGO™

POWER⁺ SNOW SHOVEL ATTACHMENT



EXCLUSIVEMENT POUR UTILISATION AVEC LE
BLOC MOTEUR EGO PH1400/PH1400-FC

GUIDE D'UTILISATION
**ATTACHEMENT
DE PELLE À NEIGE**
NUMÉRO DE MODÈLE SSA1200/SSA1200-FC

⚠ AVERTISSEMENT : Afin de réduire les risques de blessure, l'utilisateur doit lire et comprendre le guide d'utilisation avant d'utiliser ce produit. Conservez le présent guide afin de pouvoir le consulter ultérieurement.

TABLE DES MATIÈRES

Symboles de sécurité	28
Consignes de sécurité	29-34
Introduction	35
Spécifications	35
Liste des pièces	36
Description	37-38
Assemblage	39-41
Opération	42-44
Entretien	45-46
Dépannage	47
Garantie	48-49

LISEZ TOUTES LES INSTRUCTIONS!



**ASSUREZ-VOUS DE LIRE ET DE
COMPRENDRE LE GUIDE D'UTILISATION**

⚠ AVERTISSEMENT : Certaines poussières produites par l'utilisation d'outils de coupe électriques contiennent des produits chimiques reconnus par l'État de Californie comme causes de cancers, d'anomalies congénitales et de problèmes du système reproducteur. Voici des exemples de ces produits chimiques :

- Le plomb contenu dans la peinture au plomb;
- La silice cristallisée contenue dans les briques, le ciment et d'autres produits de maçonnerie;
- L'arsenic et le chrome contenus dans le bois d'oeuvre traité avec des produits chimiques.

Les risques liés à l'exposition à ces produits varient en fonction de la fréquence à laquelle vous effectuez ce type de travail. Pour réduire votre exposition à ces produits chimiques, travaillez dans une zone bien ventilée et portez l'équipement de sécurité approuvé, comme les masques antipoussières conçus spécialement pour ne pas laisser passer les particules microscopiques.

SYMBOLES DE SÉCURITÉ

L'objectif des symboles de sécurité est d'attirer votre attention sur les dangers potentiels. Vous devez examiner attentivement et bien comprendre les symboles de sécurité et les explications qui les accompagnent. Les symboles d'avertissement n'éliminent pas le danger d'eux-mêmes. Les consignes et avertissements qu'ils donnent ne remplacent en aucun cas la prise de mesures préventives adéquates.

⚠ AVERTISSEMENT : Avant d'utiliser cet outil, veuillez à lire et à comprendre toutes les consignes de sécurité du guide d'utilisation, notamment tous les symboles d'alerte de sécurité comme « **DANGER** », « **AVERTISSEMENT** » et « **MISE EN GARDE** ». Le fait de ne pas respecter toutes les consignes ci-dessous peut occasionner un choc électrique, un incendie ou des blessures graves.

SIGNIFICATION DES SYMBOLES

⚠ SYMBOLE D'ALERTE DE SÉCURITÉ : Indique un **DANGER**, un **AVERTISSEMENT** ou une **MISE EN GARDE**. Il peut être associé à d'autres symboles ou pictogrammes.






⚠ AVERTISSEMENT : Lors de l'utilisation de tout outil électrique, des corps étrangers peuvent être projetés dans les yeux et causer des lésions oculaires graves. Avant d'utiliser un outil électrique, veuillez à toujours porter des lunettes de protection couvrantes ou à écrans latéraux, ou un masque complet au besoin. Nous recommandons le port d'un masque de sécurité panoramique par-dessus les lunettes ou de lunettes de sécurité standard avec écrans latéraux. Portez toujours un équipement de protection des yeux conforme à la norme ANSI Z87.1.

CONSIGNES DE SÉCURITÉ

Cette page illustre et décrit les symboles de sécurité qui peuvent être présents sur ce produit. Vous devez lire, comprendre et suivre toutes les instructions présentes sur l'appareil avant d'entamer son assemblage ou son utilisation.

	Alerte de sécurité	Indique un risque de blessure.
	Assurez-vous de lire et de comprendre le guide d'utilisation	Afin de réduire les risques de blessure, l'utilisateur doit lire et comprendre le guide d'utilisation avant d'utiliser ce produit.
	Protection oculaire	Lorsque vous utilisez ce produit, veillez à toujours porter des lunettes de protection couvrantes ou à écrans latéraux, ou un masque complet.
	Distance de sécurité	Assurez-vous que toutes les personnes présentes se tiennent à une distance suffisante de la zone de travail pour assurer leur sécurité.
	DANGER – Gardez les mains éloignées de la turbine	N'utilisez pas vos mains pour désobstruer la goulotte.
	Gardez les pieds éloignés de la turbine	Gardez les pieds éloignés de la turbine rotative.
	DANGER — Gardez vos mains et vos pieds éloignés	Pour réduire le risque de blessure, gardez les mains et les pieds éloignés des pièces en rotation. N'utilisez cet équipement que si la goulotte de vidage est bien à sa place.

	<p>DANGER – Objets projetés</p>	<p>Retirez tous objets qui risquent d'être projetés par la lame dans une direction quelconque. Portez des lunettes de sécurité.</p>
	<p>Symbole de recyclage</p>	<p>Ce produit fonctionne au moyen d'un bloc- pile au lithium-ion (Li-ion). La législation locale, provinciale ou fédérale peut interdire la mise au rebut des blocs-piles dans une poubelle ordinaire. Consultez l'organisme local en matière de déchets au sujet des options disponibles pour la mise au rebut ou le recyclage.</p>
<p>IPX4</p>	<p>Niveau de protection d'indice</p>	<p>Protection contre les projections d'eau</p>
<p>V</p>	<p>Volt</p>	<p>Tension</p>
	<p>Courant continu</p>	<p>Type ou caractéristique du courant</p>
<p>mm</p>	<p>Millimètre</p>	<p>Longueur ou taille</p>
<p>in.</p>	<p>Pouce</p>	<p>Longueur ou taille</p>
<p>Ft.</p>	<p>pi</p>	<p>Longueur ou taille</p>
<p>kg</p>	<p>Kilogramme</p>	<p>Poids</p>
<p>lb.</p>	<p>Livre</p>	<p>Poids</p>

AVERTISSEMENTS DE SÉCURITÉ CONCERNANT L'ATTACHEMENT DE PELLE À NEIGE

⚠ DANGER ! Cet attachement de pelle à neige est capable d'amputer des mains et des pieds, et de projeter des objets. Le non-respect des consignes de sécurité suivantes pourrait causer une blessure grave.

POUR TOUS LES ATTACHEMENTS DE PELLES À NEIGE

- Marchez. Ne courez pas.
- N'utilisez pas sur une surface gravillonnée, à moins que l'attachement de pelle à neige ne soit réglé pour une telle surface, conformément au mode d'emploi.
- Gardez les enfants à distance – Tous les visiteurs doivent rester à une distance de sécurité par rapport à la zone de travail.
- Habillez-vous de façon appropriée – Ne portez pas de vêtements amples ou de bijoux. Ils risqueraient d'être happés par des pièces mobiles.
- Portez des bottes en caoutchouc lorsque vous utilisez l'attachement de pelle à neige.
- Gardez les mains à une distance suffisante des pièces en mouvement.
- Maintenez les dispositifs de protection en place et en bon état de fonctionnement.
- Ne forcez pas l'attachement de pelle à neige – Elle fera un meilleur travail, avec une sécurité accrue, si elle est utilisée à la vitesse pour laquelle elle a été conçue.
- Ne vous penchez pas au-dessus de la pelle à neige – Veillez à toujours garder un bon équilibre et un appui stable.
- Si l'attachement de pelle à neige heurte un corps étranger, suivez les étapes ci-dessous :
 - 1) Arrêtez l'attachement de pelle à neige. Relâchez l'interrupteur.
 - 2) Retirez le bloc-piles.
 - 3) Inspectez pour vous assurer qu'il n'y a pas de dommages.
 - 4) Réparez tout dommage avant de remettre la pelle à neige en marche et de recommencer à l'utiliser.
- Rangez l'attachement de pelle à neige inactive à l'intérieur – Lorsqu'il n'est pas utilisé, l'attachement de pelle à neige doit être rangé à l'intérieur, dans un endroit sec, fermé à clé et hors de portée des enfants.

- Entretenez l'attache­ment de pelle à neige avec soin – Suivez les instructions pour la lubrification et le remplacement des accessoires.

FORMATION

- Lisez toutes les instructions figurant sur la machine et dans le ou les mode(s) d'emploi et assurez-vous que vous les comprenez avant de commencer à l'utiliser cette machine, puis respectez-les. Familiarisez-vous avec les commandes et l'utilisation correcte de l'équipement. Sachez comment arrêter l'outil et désactiver rapidement les commandes.
- Ne laissez jamais des enfants utiliser cet équipement. Ne laissez jamais des adultes utiliser cet équipement sans leur avoir donné les instructions nécessaires au préalable.
- Faites en sorte que personne, tout particulièrement de petits enfants, ne se trouve dans la zone de travail.
- Faites preuve de prudence pour ne pas risquer de glisser ou de tomber, notamment lorsque vous utilisez l'attache­ment de pelle à neige en marche arrière.

OPÉRATION

- Empêchez une mise en marche accidentelle. Assurez-vous que l'interrupteur est dans la position d'arrêt avant de le connecter au bloc-piles, ou de soulever ou de transporter votre outil. Le fait de transporter cet outil électrique avec le doigt sur l'interrupteur ou de le mettre sous tension avec l'interrupteur en position de marche invite les accidents.
- Ne mettez pas les mains ou les pieds à proximité de pièces en rotation ou sous des pièces en rotation.
- Faites preuve d'une extrême prudence lors de cet équipement, en particulier lors de la traversée d'une allée, d'un trottoir ou d'une route en gravier. Restez attentif aux dangers cachés ou à la circulation.
- Après avoir heurté un corps étranger, arrêtez le moteur, retirez le bloc-piles, inspectez minutieusement l'attache­ment de pelle à neige pour détecter tout dommage et réparez les dommages avant de redémarrer et d'utiliser à nouveau l'attache­ment de pelle à neige.
- Si l'outil commence à vibrer de façon anormale, arrêtez immédiatement l'outil et recherchez immédiatement la cause du problème. Des vibrations sont généralement un signe avant-coureur d'un problème.

- Arrêtez le moteur chaque fois que vous quittez la position d'utilisation, avant de déboucher le carter du système de projection à vis sans fin (tarière) et lors de toute réparation, de tout réglage ou de toute inspection.
- Lors du nettoyage, de la réparation ou de l'inspection de l'attache ment de pelle à neige, arrêtez le moteur et assurez-vous que l'ensemble du système de projection à vis sans fin a bien été désactivé. Retirez le-piles pour éviter que quelqu'un ne fasse démarrer accidentellement cet outil.
- Faites preuve d'une grande prudence lorsque vous utilisez cet équipement sur une pente.
- N'utilisez jamais l'attache ment de pelle à neige sans que les dispositifs de protection ou autres systèmes de sécurité ne soient en place et fonctionnent correctement.
- Ne dirigez jamais la décharge vers des personnes se trouvent ou vers des zones où des blessures ou des dommages matériels peuvent se produire. Gardez les enfants et les autres personnes à l'écart.
- Ne surchargez pas la capacité de la machine en essayant de déblayer la neige à une vitesse trop rapide.
- Débrayez l'alimentation lorsque l'attache ment de pelle à neige est transporté ou n'est pas utilisé.
- N'utilisez que des attache ments et des accessoires approuvés par le fabricant de l'attache ment de pelle à neige.
- N'utilisez jamais l'attache ment de pelle à neige sans une bonne visibilité ou assez de lumière. Soyez toujours stable sur vos pieds et tenez fermement les poignées. Marchez ; ne courez jamais.
- N'exposez pas un bloc-piles ou cet outil à un feu ou à une température excessive. L'exposition à un feu ou à une température supérieure à 100° C / 212° F pourrait causer une explosion.
- N'utilisez qu'avec les blocs-piles et chargeurs indiqués ci-dessous :

BLOC-PILE	CHARGEUR
BA1400, BA1400-FC, BA2800, BA2800-FC, BA4200, BA4200-FC, BA1400T, BA1400T-FC, BA2240T, BA2240T-FC, BA2242T, BA2242T-FC, BA2800T, BA2800T-FC, BA4200T, BA4200T-FC, BA5600T, BA5600T-FC, BA6720T, BA6720T-FC	CH2100, CH2100-FC, CH3200, CH3200-FC, CH5500, CH5500-FC, CH2800D, CH2800D-FC, CH7000, CH7000-FC

DÉGAGEMENT D'UN SYSTÈME DE PROJECTION À VIS SANS FIN BOUCHÉ

Le contact des mains avec l'ensemble de projection à vis sans fin en rotation est la cause la plus fréquente des blessures associées à l'attachement de pelle à neige. N'utilisez jamais votre main pour nettoyer le système de projection à vis sans fin quand il tourne.

Pour dégager le système de projection à vis sans fin :

- **METTEZ L'OUTIL HORS TENSION !**
- Détachez le bloc-piles de l'outil.
- Attendez 10 secondes pour vous assurer que la vis sans fin a cessé de tourner.
- Utilisez toujours l'outil de nettoyage du système de projection à vis sans fin qui est fixé à la machine comme un Accessoire ; n'utilisez pas votre main.

MAINTENANCE ET ENTREPOSAGE

- Vérifiez fréquemment que toutes les fixations et tous les boulons sont bien serrés afin de vous assurer que l'équipement est dans un bon état de fonctionnement.
- Consultez toujours le mode d'emploi pour apprendre des informations importantes si l'attachement de pelle à neige ne doit pas être utilisé pendant une période prolongée.
- Assurez la lisibilité continue des étiquettes de sécurité et d'instructions, ou remplacez-les si besoin est.
- Continuez à faire fonctionner la machine pendant quelques minutes pour éviter le gel du système de projection à vis sans fin.

CONSERVEZ CES INSTRUCTIONS. Consultez-les fréquemment et utilisez-les pour donner les instructions nécessaires à d'autres personnes qui peuvent utiliser cet outil. Si vous prêtez cet outil à quelqu'un d'autre, donnez-lui également ces instructions pour éviter toute utilisation abusive du produit et tout risque de blessure.

INTRODUCTION


Nous vous félicitons d'avoir choisi ce ATTACHEMENT DE PELLE À NEIGE EGO. Cet outil a été conçu et fabriqué afin de vous offrir la meilleure fiabilité et le meilleur rendement possible.

Si vous éprouvez un problème que vous n'arrivez pas à régler facilement, veuillez communiquer avec le centre de service à la clientèle d'EGO au 1 855 EGO-5656.

Le présent guide contient des renseignements importants pour assembler, utiliser et entretenir en toute sécurité votre produit. Lisez-le soigneusement avant d'utiliser le produit. Conservez ce guide à portée de main afin de pouvoir le consulter à tout moment.

NUMÉRO DE SÉRIE _____ DATE D'ACHAT _____
NOUS VOUS RECOMMANDONS DE NOTER LE NUMÉRO DE SÉRIE ET LA DATE D'ACHAT ET DE LES CONSERVER EN LIEU SÛR AFIN DE POUVOIR LES CONSULTER ULTÉRIEUREMENT.

SPÉCIFICATIONS

Tension nominale	56V 
Vitesse à vide	1420±10% rpm 1750±10% rpm
Largeur de dégagement	12 in (30cm)
Distance de projection	Up to 25 ft. (7.5 m)
Hauteur d'admission	6 in (15cm)
Température de fonctionnement recommandée	14°F – 50°F (-10°C – 10°C)
Température de stockage recommandée	-4°F – 158°F (-20°C – 70°C) * Pour l'appareil SANS batterie
Poids	11.4 lb. (5.2 kg)

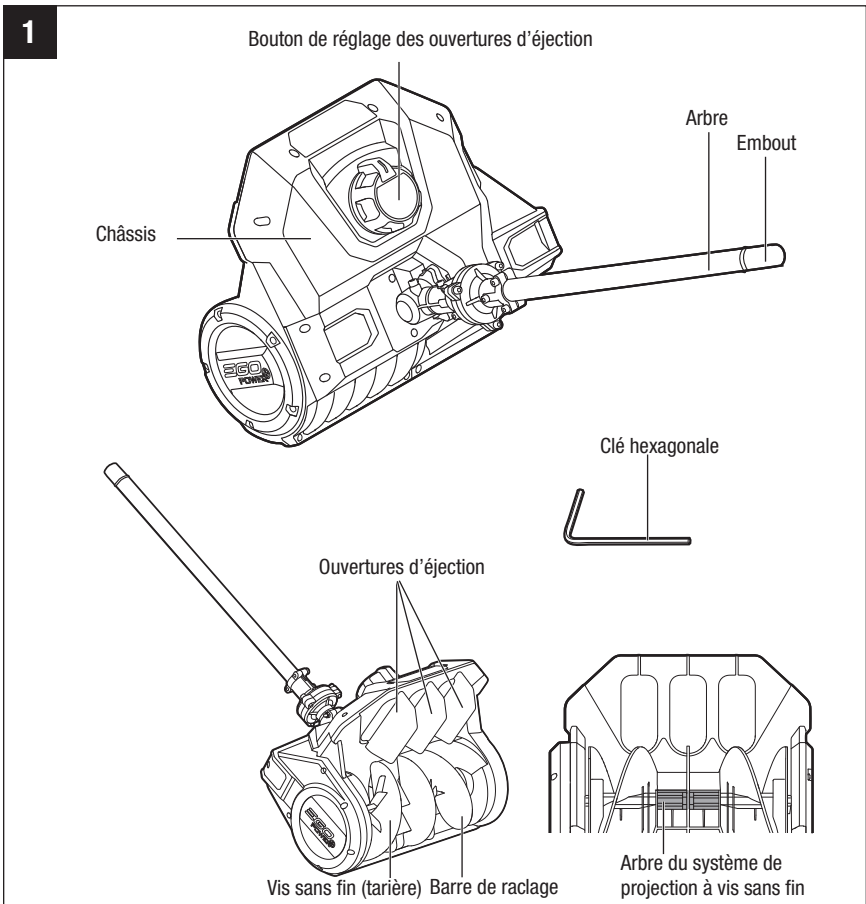
LISTE DES PIÈCES

NOM DE PIÈCE	QUANTITÉ
Attachement de pelle à neige	1
Clé hexagonale	1
Embout	1

DESCRIPTION

FAMILIARISEZ-VOUS AVEC VOTRE ATTACHEMENT DE PELLE À NEIGE (Fig. 1)

Pour que ce produit puisse être utilisé en toute sécurité, il est nécessaire de comprendre les informations figurant sur l'outil et dans son mode d'emploi, et de bien maîtriser le projet que vous voulez réaliser. Avant d'utiliser ce produit, familiarisez-vous avec toutes ses fonctionnalités et les consignes de sécurité qui s'y appliquent.



Barre de raclage

Enlève la couche inférieure de neige de la surface que vous êtes en train de déblayer.

Bouton de réglage des ouvertures d'éjection

La rotation du bouton permet de contrôler la direction des ouvertures d'éjection.

Ouvertures d'éjection

Les ouvertures d'éjection dirigent la neige dans la direction souhaitée.

ASSEMBLAGE

⚠ AVERTISSEMENT: Si certaines pièces sont endommagées ou manquantes, n'utilisez pas ce produit avant que ces pièces aient été remplacées. L'utilisation de ce produit avec des pièces endommagées ou manquantes pourrait causer des blessures graves.

⚠ AVERTISSEMENT: Ne tentez pas de modifier ce produit ou de créer des accessoires qu'il n'est pas recommandé d'utiliser avec ce produit. Une telle altération ou modification constituerait une utilisation abusive et pourrait créer une situation dangereuse avec risque de blessures graves.

DÉBALLAGE

- Inspectez attentivement cet outil pour vous assurer qu'aucun dommage ou bris de pièce(s) ne s'est produit pendant le transport.
- Ne jetez pas les matériaux d'emballage avant d'avoir inspecté attentivement le produit et de l'avoir mis en marche de façon satisfaisante.
- Si une pièce quelconque est endommagée ou manquante, rappez le produit dans le magasin où vous l'avez acheté.

CONNEXION DE L'ATTACHEMENT DE PELLE À NEIGE AU BLOC MOTEUR

⚠ AVERTISSEMENT: Ne fixez ou ne réglez jamais un attachement lorsque le bloc moteur est en marche ou lorsque la pile est installée. Si vous n'arrêtez pas le moteur et ne retirez pas la pile, vous risquez de vous blesser gravement.

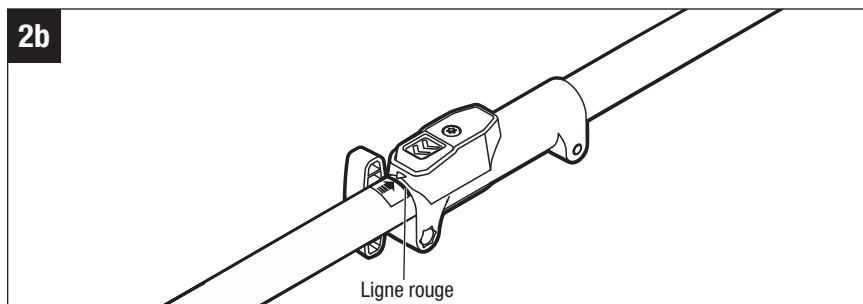
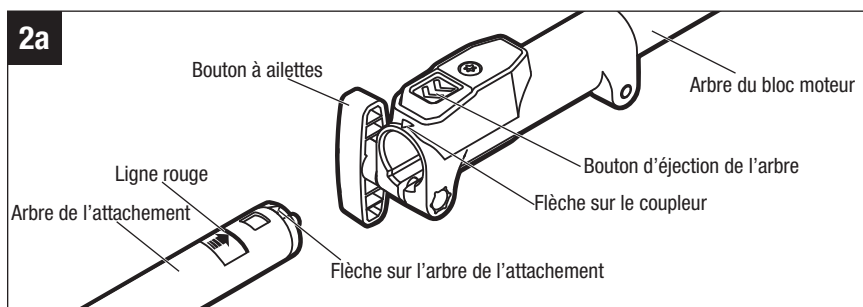
Cet attachement de pelle à neige est conçu pour être utilisé uniquement avec le bloc moteur EGO PH1400/ PH1400-FC.

L'attachement de pelle à neige est relié au bloc moteur au moyen d'un dispositif de couplage.

1. Arrêtez le moteur et retirez le bloc-piles.
2. Desserrez le bouton à ailettes du coupleur du bloc moteur.

3. Retirez le capuchon de l'embout de l'attache de pelle à neige et conservez-le dans un endroit sûr en vue d'une utilisation ultérieure. Alignez la flèche de l'arbre de la pelle à neige sur la flèche du coupleur (Fig. 2a) et poussez l'arbre de la pelle à neige dans le coupleur jusqu'à ce que vous entendiez clairement un son « CLIC ». Le coupleur doit être positionné en étant enfoncé complètement, jusqu'à la LIGNE ROUGE inscrite sur l'arbre de la pelle à neige : la ligne rouge doit être au même niveau que le bord du coupleur (Fig. 2b).
4. Tirez sur l'arbre de l'attache de pelle à neige pour vérifier qu'il est bien verrouillé dans le coupleur. Si ce n'est pas le cas, faites tourner l'arbre de la pelle à neige d'un côté à l'autre dans le coupleur jusqu'à ce qu'un son « CLIC » clair indique qu'il est bien engagé.
5. Serrez à fond le bouton à ailettes.

⚠ AVERTISSEMENT: Assurez-vous que le bouton à ailettes est serré à fond avant de mettre l'équipement en marche ; vérifiez-le de temps en temps pour vous assurer qu'il est bien serré pendant l'utilisation de la machine pour éviter tout risque de blessure grave.



RETRAIT DE L'ATTACHEMENT DU BLOC MOTEUR.

1. Arrêtez le moteur et retirez le bloc-piles.
2. Desserrez le bouton à ailettes.
3. Appuyez sur le bouton d'éjection de l'arbre et, avec le bouton enfoncé, tirez ou tournez l'arbre de l'attacheement pour le faire sortir du coupleur.

OPÉRATION

⚠ AVERTISSEMENT: Ne laissez pas l'habitude de l'utilisation de ce produit vous empêcher de prendre toutes les précautions requises. N'oubliez jamais qu'une fraction de seconde d'inattention suffit pour entraîner de graves blessures.

⚠ AVERTISSEMENT: Utilisez toujours un équipement de protection des yeux indiquant qu'il est conforme à la norme ANSI Z87.1. Si vous ne portez pas un tel dispositif de protection, vous pourriez subir des blessures graves, y compris en conséquence de la projection d'objets dans vos yeux.

⚠ AVERTISSEMENT: Pour éviter tout risque de blessure grave, retirez le bloc-piles de l'outil avant de le réparer, de le nettoyer, de changer des attachements ou de retirer des déchets de l'outil.

⚠ AVERTISSEMENT: N'utilisez pas d'attachements ou d'accessoires qui ne sont pas recommandés par le fabricant de ce produit. L'utilisation d'attachements ou d'accessoires qui ne sont pas recommandés peut causer des blessures graves.

APPLICATIONS

Cet attachement de pelle à neige est idéal pour déneiger les trottoirs, les marches, les terrasses, les patios et les petites allées lorsque l'épaisseur de neige est inférieure à 15 cm / 6 po.

UTILISATION DE L'ACCESSOIRE PELLE À NEIGE AVEC TÊTE ÉLECTRIQUE

⚠ AVERTISSEMENT: N'utilisez jamais l'attachement de pelle à neige sur des lacs, des rivières ou des surfaces similaires gelées. La mort ou des blessures graves pourraient survenir si la glace se brisait.

⚠ AVERTISSEMENT: N'utilisez jamais l'attachement de pelle à neige sur un toit ou sur une autre surface instable, car cela pourrait entraîner des blessures graves ou mortelles.

⚠ AVERTISSEMENT: N'utilisez pas l'attachement de pelle à neige sur la glace, car l'opérateur risquerait de glisser et de tomber, ce qui pourrait entraîner des blessures graves.

⚠ AVERTISSEMENT: Ne portez pas de bijoux, d'écharpes ou de vêtements amples. Ils peuvent être happés par des pièces mobiles et provoquer la mort ou des blessures graves.

⚠ AVERTISSEMENT: Ne dirigez jamais l'attacheement de pelle à neige en direction d'autres personnes ou d'animaux domestiques. La projection de neige ou d'objets peut causer des blessures graves.

⚠ AVERTISSEMENT: Assurez-vous que la zone à déblayer est exempte de pierres, de bâtons, de fils, de gravier et d'autres objets qui pourraient être accidentellement projetés par l'attacheement de pelle à neige dans n'importe quelle direction et causer des blessures graves à l'opérateur et à d'autres personnes.

Lors de l'utilisation de l'attacheement de pelle à neige, tenez l'outil avec une prise ferme des deux mains pendant le fonctionnement (Fig. 3).

- Prenez note de la direction du vent avant de commencer. Dans la mesure du possible, déchargez la neige dans la même direction que le vent pour éviter qu'elle ne soit projetée dans votre visage.
- Certaines parties de l'attacheement de pelle à neige peuvent geler dans des conditions météorologiques extrêmes. N'essayez pas de faire fonctionner l'outil avec des pièces gelées.
- Si l'outil entre en contact avec un quelconque type d'obstruction pendant le fonctionnement, arrêtez-le et retirez le bloc-piles. Inspectez soigneusement l'outil avant de l'utiliser.
- Si la neige est trop épaisse et plus profonde que la profondeur de déblaiement, il faudra peut-être plus d'un passage pour déblayer.
- Une fois que vous aurez terminé, laissez l'outil continuer à fonctionner pendant plusieurs minutes pour permettre à toute la neige de sortir de la tarière avant de le ranger.



MISE EN MARCHÉ/ ARRÊT DE L'OUTIL

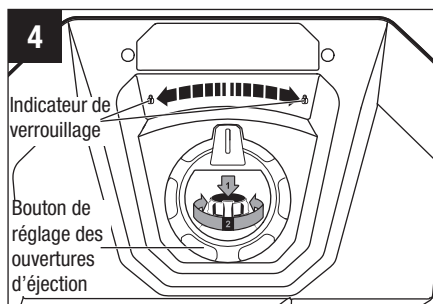
Voir la section intitulée « **DEMARRAGE/ARRÊT DU BLOC MOTEUR** » dans le mode d'emploi pour le bloc moteur PH1400/PH1400-FC de 56 volts.

BOUTON DE RÉGLAGE DES OUVERTURES D'ÉJECTION (Fig.4)

La direction de l'éjection de la neige peut être modifiée en tournant le bouton de réglage des ouvertures d'éjection. La neige peut être projetée vers la gauche, vers l'avant ou vers la droite.

La rotation maximale du bouton est de 60° (30° vers la gauche ou vers la droite).

Lorsque le bouton atteint la position la plus à gauche ou la plus à droite, il est verrouillé dans cette position. Pour le déverrouiller, appuyez sur le bouton et tournez-le vers le centre. Après le déverrouillage, le bouton peut à nouveau être tourné.



ENTRETIEN

⚠ AVERTISSEMENT: Lors de toute réparation, n'utilisez que des pièces de rechange EGO authentiques. L'utilisation de toutes autres pièces de rechange pourrait créer un danger ou endommager le produit. Pour assurer la sécurité et la fiabilité, toutes les réparations doivent être effectuées par un technicien de service qualifié.

⚠ AVERTISSEMENT: Pour éviter toute blessure grave, retirez le bloc-piles du bloc moteur avant d'inspecter ou de nettoyer la machine, d'effectuer son entretien ou de changer des attachements supplémentaires.

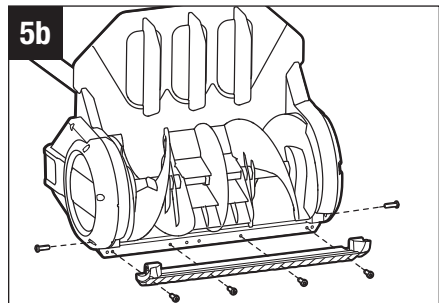
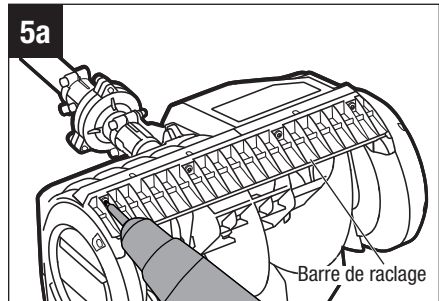
MAINTENANCE GÉNÉRALE

Évitez d'utiliser des solvants lorsque vous nettoyez des pièces en plastique. La plupart des plastiques sont susceptibles d'être endommagés par divers types de solvants commerciaux, et ils pourraient l'être si vous les utilisez. Utilisez des chiffons propres pour retirer les saletés, la poussière, l'huile, la graisse, etc.

⚠ AVERTISSEMENT: Lors du nettoyage de l'attache de pelle à neige, NE l'immergez PAS dans l'eau ou dans d'autres liquides.

MONTAGE ET DÉTACHEMENT DE LABARRE DE RACLAGE

1. Détachez le bloc-piles du bloc moteur.
2. Posez l'attache de pelle à neige sur le côté ou dans toute autre position pratique pour effectuer une opération de maintenance de la barre de raclage.
3. Retirez les quatre vis situées sur la barre de raclage, ainsi que les deux vis situées aux deux extrémités. Utilisez un tournevis T20 (non fourni) pour les dévisser (Fig. 5a et 5b).
4. Remplacez la barre de raclage usée par une barre neuve.



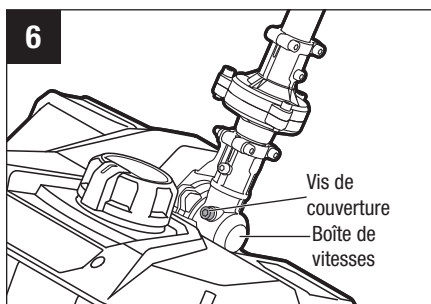
5. Pour le réassemblage, insérez d'abord la nouvelle barre de raclage, avec les six trous alignés, puis insérez les six vis dans les trous et sécurisez-les avec un tournevis (non fourni).

LUBRIFICATION DES ENGRENAGES DE LA BOÎTE DE VITESSES

Les engrenages de la boîte de vitesses doivent être lubrifiés périodiquement avec de la graisse à engrenages. Vérifiez le niveau de graisse de la boîte de vitesses environ toutes les 50 heures de fonctionnement en retirant la vis de couverture sur le côté du cache.

Si vous ne voyez pas de graisse sur les côtés des engrenages, suivez les étapes ci-dessous pour remplir la boîte de vitesses jusqu'aux 3/4 de sa capacité. Ne remplissez pas complètement la boîte de vitesses de graisse.

1. Positionnez l'engrenage verticalement de façon que la vis de couverture soit orientée vers le haut (Fig. 6).
2. Utilisez la clé multifonction fournie pour desserrer et retirer la vis de couverture.
3. Utilisez un pistolet à graisse (non inclus) pour injecter de la graisse par le trou de la vis; ne dépassez pas les 3/4 de la capacité.
4. Serrez la vis de couverture après l'injection.



TRANSPORT ET RANGEMENT

- Détachez le bloc-piles de l'outil.
- Nettoyez soigneusement l'outil avant de le ranger.
- Rangez l'outil dans un endroit sec et bien aéré, verrouillé ou en hauteur, hors de portée des enfants. Ne rangez pas l'outil sur des engrais, de l'essence ou d'autres produits chimiques, ou à proximité de ceux-ci.

DÉPANNAGE

PROBLÈME	CAUSE	SOLUTION
La pelle à neige ne démarre pas.	<ul style="list-style-type: none"> ■ La pile n'est pas chargée. ■ Le bouton de verrouillage en position d'arrêt ou l'interrupteur à gâchette n'est pas utilisé correctement. ■ La pile n'est pas entièrement insérée dans le boîtier. 	<ul style="list-style-type: none"> ■ Rechargez la pile. ■ Suivez la section intitulée « DÉMARRAGE/ ARRÊT DU BLOC MOTEUR » du mode d'emploi de la machine PH1400/PH1400-FC. ■ Vérifiez si la pile est entièrement insérée dans le boîtier.
La machine est visiblement endommagée.	<ul style="list-style-type: none"> ■ Dommages accidentels subis pendant le transport ou l'utilisation. 	<ul style="list-style-type: none"> ■ Ne continuez pas à utiliser le produit, contactez le service clientèle EGO.
La pelle à neige laisse une fine couche.	<ul style="list-style-type: none"> ■ La barre de raclage est usée. 	<ul style="list-style-type: none"> ■ Remplacez la barre de raclage.
Arrêt inattendu de la pelle pendant le travail. Aucune neige n'est projetée depuis le châssis.	<ul style="list-style-type: none"> ■ La machine est surchargée. Le système de projection à vis sans fin (tarière) est complètement bloqué par de la neige lourde. ■ Le bloc-piles ou la machine est surchauffer. 	<ul style="list-style-type: none"> ■ Retirez la neige du système de projection à vis sans fin et réduisez l'intensité de la charge de la machine. ■ Laissez les piles et/ou l'outil refroidir avant de recommencer à travailler.

GARANTIE

POLITIQUE D'EGO EN MATIÈRE DE GARANTIE

Garantie limitée de 5 ans sur les équipements d'alimentation électrique d'extérieur EGO POWER+ et les équipements d'alimentation électrique portable pour un usage personnel et domestique.

Garantie limitée de 3 ans sur les blocs-piles et chargeurs du système EGO POWER+ pour un usage personnel et domestique.

Garantie limitée de 2 ans/1 an sur les équipements d'alimentation électrique d'extérieur, les équipements d'alimentation électrique portables, les blocs-piles et les chargeurs EGO pour un usage professionnel et commercial.

La durée et les détails de la garantie de chaque produit sont indiqués en ligne à l'adresse <http://egopowerplus.com/pages/warranty-policy>.

Veillez communiquer avec le service à la clientèle d'EGO au 1 855 EGO-5656 (numéro sans frais) pour toute question sur les réclamations au titre de la garantie.

GARANTIE LIMITÉE

Les produits EGO sont garantis contre tout défaut de matériel ou de fabrication à compter de la date d'achat d'origine pour la période de garantie applicable. Les produits défectueux recevront une réparation gratuite.

- a) Cette garantie s'applique uniquement à l'acheteur initial s'étant procuré le produit chez un détaillant EGO autorisé et est non transférable. La liste des détaillants EGO autorisés est publiée en ligne sur le site <http://egopowerplus.com/pages/warranty-policy>.
- b) La période de garantie pour les produits remis en état ou certifiés par l'usine utilisés à des fins résidentielles est de 1 an, et de 90 jours lorsqu'ils sont utilisés à des fins industrielles, professionnelles ou commerciales.
- c) La période de garantie pour les pièces d'entretien régulier, y compris, sans s'y limiter, les lames, les têtes de taille-bordure, les guides-chaînes, les chaînes de scie, les courroies, les barres de raclage, les buses de souffleur, ainsi que tous les autres accessoires EGO, est de 90 jours lorsqu'elles sont utilisées à des fins résidentielles et de 30 jours lorsqu'elles sont utilisées à des fins industrielles, professionnelles ou commerciales. Ces pièces sont couvertes contre les défauts de fabrication pour une période de 90 jours ou de 30 jours si elles sont utilisées dans des conditions de travail normales.

- d) La présente garantie n'est pas valide si le produit a été utilisé aux fins de location.
- e) La présente garantie ne couvre pas les dommages résultant d'une modification, d'une altération ou d'une réparation non autorisée.
- f) Cette garantie couvre uniquement les défauts survenant dans des conditions normales d'utilisation et ne couvre aucun dysfonctionnement ou défaut ni aucune défaillance découlant d'un usage inapproprié ou abusif (notamment la surcharge du produit et son immersion dans l'eau ou dans tout autre liquide), d'un accident, d'une négligence, d'une installation inadéquate et de tout entretien ou entreposage inadéquat.
- g) La présente garantie ne couvre pas la détérioration normale du fini extérieur, notamment les rayures, les bosselures, les craquelures de la peinture ou toute corrosion ou décoloration résultant de la chaleur, de produits abrasifs ou de nettoyeurs chimiques.

RÉCLAMATION AU TITRE DE LA GARANTIE

Pour faire une réclamation au titre de la garantie, veuillez communiquer avec le service à la clientèle d'EGO au **1 855 EGO-5656** (numéro sans frais). Lorsque vous faites une réclamation au titre de la garantie, vous devez présenter le reçu de vente original. Un centre de service autorisé sera sélectionné pour la réparation du produit conformément aux conditions de garantie prescrites. Il se peut qu'un petit dépôt soit exigé lorsque vous laissez votre outil dans un centre de service autorisé. Ce dépôt est remboursable lorsque le service de réparation est considéré comme étant couvert par la garantie.

RESTRICTIONS SUPPLÉMENTAIRES

Dans la mesure permise par la loi en vigueur, toutes les garanties implicites, y compris les garanties de QUALITÉ MARCHANDE ou D'ADÉQUATION À UN USAGE PARTICULIER, sont exclues. Toute garantie implicite, y compris la garantie de qualité marchande ou d'adéquation à un usage particulier, qui ne peut être rejetée en vertu de la loi de l'État ou de la province est limitée à la période de garantie applicable définie au début de cet article.

Chervon North America n'est pas responsable des dommages accessoires, consécutifs, indirects ou directs.

Certaines provinces n'autorisent pas les restrictions de durée de garantie implicite, ou l'exclusion ou la restriction des dommages consécutifs et accessoires; c'est pourquoi les restrictions ci-dessus peuvent ne pas s'appliquer à votre cas.

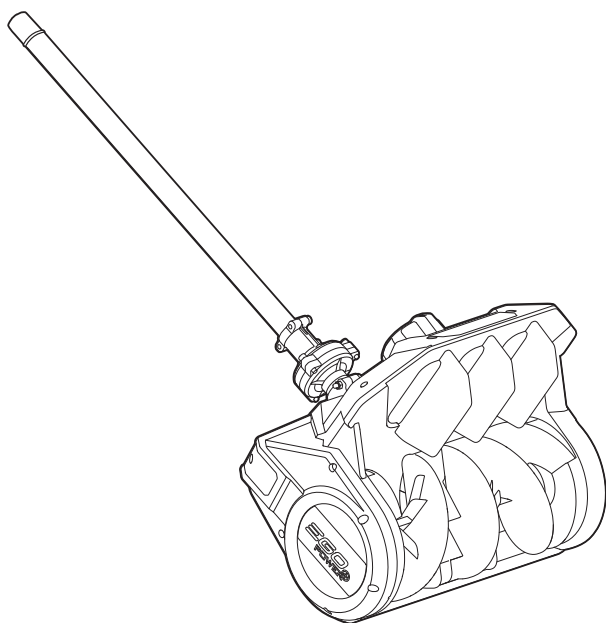
Cette garantie vous confère des droits précis. Il est possible que vous disposiez également d'autres droits, qui varient d'une province à l'autre.

Pour communiquer avec le service à la clientèle, veuillez composer le numéro sans frais suivant : **1 855 EGO-5656** ou consulter le site Web **EGOPOWERPLUS.COM**.

EGO Customer Service, 769 SEWARD AVE NW / Suite 102 Grand Rapids, MI 49504, États-Unis.

EGO™

POWER⁺ SNOW SHOVEL ATTACHMENT



MANUAL DE FUNCIONAMIENTO

EXCLUSIVEMENT POUR UTILISATION AVEC LE
BLOC MOTEUR EGO PH1400/PH1400-FC

ADITAMENTO DE PALA QUITANIEVES

MODELO NÚMERO SSA1200/SSA1200-FC

⚠ ADVERTENCIA: Para reducir el riesgo de lesiones, el usuario debe leer y comprender el Manual del usuario antes de usar este producto. Guarde estas instrucciones para referencia futura.

ÍNDICE

Símbolos de seguridad	54
Instrucciones de seguridad	55-60
Introducción	61
Especificaciones	61
Lista de empaque	64
Descripción	63-65
Ensamblaje	65-67
Operación	68-70
Mantenimiento	71-72
Solución de problemas	73
Garantía	74-76

LEA TODAS LAS INSTRUCCIONES



LEA Y COMPRENDA
EL MANUAL DEL OPERADOR

⚠ ADVERTENCIA: parte del polvo que se crea al usar herramientas eléctricas contiene sustancias químicas que el estado de California ha identificado como causantes de cáncer y defectos congénitos u otros daños en el aparato reproductivo. Algunos ejemplos de estos químicos son:

- Plomo de pinturas a base de plomo.
- Sílice cristalina de ladrillos, cemento y otros productos de mampostería.
- Arsénico y cromo de maderas tratadas químicamente.

El riesgo por estas exposiciones varía según la frecuencia con la que realice este tipo de trabajo. Medidas para reducir la exposición a estos químicos: trabaje en un área bien ventilada y con el equipo de seguridad aprobado, como mascarillas antipolvo especialmente diseñadas para filtrar partículas microscópicas.

SÍMBOLOS DE SEGURIDAD

Estos símbolos de seguridad se utilizan para advertirle sobre los posibles peligros. Los símbolos de seguridad y las explicaciones que los acompañan merecen cuidadosa atención y comprensión. Por sí solos, los símbolos de advertencia no eliminan los peligros. Las instrucciones y advertencias que proporcionan no reemplazan a las medidas adecuadas de prevención de accidentes.

⚠ ADVERTENCIA: antes de utilizar esta herramienta, asegúrese de leer y comprender todas las instrucciones de seguridad en este Manual del usuario, incluidos todos los símbolos de alerta de seguridad como “**PELIGRO**”, “**ADVERTENCIA**” y “**PRECAUCIÓN**”. Si no se siguen todas las instrucciones que se indican a continuación, se pueden producir descargas eléctricas, incendios o lesiones personales graves.

SIGNIFICADO DEL SÍMBOLO

⚠ SÍMBOLO DE ADVERTENCIA DE SEGURIDAD: indica **PELIGRO**, **ADVERTENCIA** o **PRECAUCIÓN**. Puede usarse junto con otros símbolos o pictogramas.






⚠ ADVERTENCIA: el funcionamiento de cualquier herramienta eléctrica puede causar que se disparen objetos extraños hacia sus ojos, lo que puede resultar en daños graves en los ojos. Antes de comenzar a operar una herramienta eléctrica, use siempre gafas protectoras o anteojos de seguridad con protección lateral y un protector facial si es necesario. Le recomendamos usar una máscara de seguridad de visión amplia sobre anteojos o anteojos de seguridad estándar con protección lateral. Use siempre protección ocular con la marca de cumplimiento de la norma ANSI Z87.1.

INSTRUCCIONES DE SEGURIDAD

Esta página presenta y describe los símbolos de seguridad que pueden aparecer en este producto. Lea, comprenda y siga todas las instrucciones que figuran en la máquina antes de intentar ensamblarla y operarla.

	Alerta de seguridad	Indica un peligro potencial de lesiones corporales.
	Lea y entienda el manual del operador	Para reducir el riesgo de lesiones, el usuario debe leer y entender el manual del operador antes de utilizar este producto.
	Protección ocular	Use siempre anteojos de seguridad o gafas de seguridad con escudos laterales y una careta completa cuando utilice este producto.
	Distancia de seguridad	Mantenga a los curiosos a una distancia segura de la máquina.
	PELIGRO: mantenga las manos alejadas del impulsor	No use las manos para eliminar obstrucciones del conducto.
	Mantenga los pies alejados del impulsor	Mantenga los pies alejados del impulsor.
	PELIGRO: mantenga las manos y los pies alejados	Para reducir el riesgo de lesiones, mantenga las manos y los pies alejados de las piezas que rotan. No utilice la unidad a menos que el conducto de descarga este en la posición correcta. Si dicho conducto está dañado, reemplácelo de inmediato.

	<p>PELIGRO: Objetos lanzados al aire</p>	<p>Retire los objetos que puedan ser lanzados al aire por la cuchilla en cualquier dirección, Use anteojos de seguridad.</p>
	<p>Símbolos de reciclaje</p>	<p>Este producto utiliza baterías de ion litio (ion Li). Es posible que las leyes locales, estatales o federales prohíban la eliminación de las baterías en la basura ordinaria. Consulte a su autoridad local de eliminación de residuos para obtener información sobre las opciones de reciclaje y/o eliminación disponibles.</p>
<p>IPX4</p>	<p>Grado de protección contra la penetración</p>	<p>Protección contra las salpicaduras de agua</p>
<p>V</p>	<p>Voltio</p>	<p>Tensión</p>
	<p>Corriente continua</p>	<p>Tipo o característica de corriente</p>
<p>mm</p>	<p>Milímetro</p>	<p>Longitud o tamaño</p>
<p>in.</p>	<p>Pulgada</p>	<p>Longitud o tamaño</p>
<p>Ft.</p>	<p>pies</p>	<p>Largo o tamaño</p>
<p>kg</p>	<p>Kilogramos</p>	<p>Peso</p>
<p>lb.</p>	<p>Libras</p>	<p>Peso</p>

ADVERTENCIAS DE SEGURIDAD PARA EL ADITAMENTO DE PALA QUITANIEVES

⚠ ¡PELIGRO! Este aditamento de pala quitanieves es capaz de amputar las manos y los pies y lanzar objetos al aire. Si no se siguen las siguientes instrucciones de seguridad, el resultado podría ser lesiones graves.

PARA TODOS LOS ADITAMENTOS DE PALA QUITANIEVES

- Camine. No corra.
- No utilice la unidad sobre superficies con grava, a menos que el aditamento de pala quitanieves esté ajustado para dicha superficie de acuerdo con el manual del operador.
- Mantenga alejados a los niños: Se deberá mantener a todos los visitantes a una distancia segura del área de trabajo.
- Vístase adecuadamente: No use ropa holgada ni joyas. Pueden quedar atrapadas en las piezas móviles.
- Use botas de caucho cuando utilice el aditamento de pala quitanieves.
- Mantenga las manos alejadas de las piezas móviles.
- Mantenga los protectores en la posición correcta y en buenas condiciones de funcionamiento.
- No fuerce el aditamento de pala quitanieves: Funcionará mejor y de manera más segura a la capacidad nominal para la que fue diseñado.
- No intente alcanzar demasiado lejos: Mantenga un apoyo de los pies y un equilibrio adecuados en todo momento.
- Si el aditamento de pala quitanieves golpea un objeto extraño, siga estos pasos:
 - 1) Detenga el aditamento de pala quitanieves. Suelte el interruptor.
 - 2) Retire el paquete de batería.
 - 3) Inspeccione la unidad para determinar si tiene daños.
 - 4) Repare todos los daños antes de arrancar y utilizar el aditamento de pala quitanieves.
- Almacene el aditamento de pala quitanieves inactivo en un lugar interior: Cuando no se esté utilizando, el aditamento de pala quitanieves se deberá almacenar en un lugar interior seco y cerrado con llave, fuera del alcance de los niños.

- Mantenga el aditamento de pala quitanieves con cuidado, siguiendo las instrucciones de lubricación y cambio de accesorios.

CAPACITACIÓN

- Lea, entienda y siga todas las instrucciones que se encuentran en la máquina y en el manual (los manuales) antes de utilizar esta herramienta. Familiarícese completamente con los controles y el uso adecuado del equipo. Sepa cómo detener la herramienta y desactivar los controles rápidamente.
- No deje nunca que los niños utilicen el equipo. No deje nunca que los adultos utilicen el equipo sin haber recibido capacitación adecuada.
- Mantenga el área de utilización despejada de todas las personas, en particular de niños de corta edad.
- Tenga precaución para evitar resbalar o caer, especialmente cuando esté utilizando el aditamento de pala quitanieves en reversa.

OPERACIÓN

- Prevenga los arranques accidentales. Asegúrese de que el interruptor esté en la posición de apagado antes de realizar la conexión al paquete de batería, levantar el aparato eléctrico o transportarlo. Transportar el aparato eléctrico con el dedo en el interruptor o suministrar corriente al soplador de nieve cuando se tenga el interruptor en la posición de encendido invita a que se produzcan accidentes.
- No ponga las manos ni los pies cerca o debajo de las piezas rotativas.
- Tenga suma precaución cuando utilice la unidad sobre o cruzando entradas de garaje, caminos o carreteras de grava. Permanezca alerta a los obstáculos ocultos o al tráfico.
- Después de golpear un objeto extraño, pare el motor, retire el paquete de batería, inspeccione minuciosamente el aditamento de pala quitanieves para determinar si tiene daños y repare los daños antes de rearrancar y utilizar el aditamento de pala quitanieves.
- Si la herramienta comienza a vibrar anormalmente, pare el motor y realice una comprobación inmediata para localizar la causa. Generalmente, la vibración es una advertencia de problemas.
- Detenga la herramienta siempre que deje la posición de utilización, antes de desobstruir la carcasa del ensamblaje de la barrena y cuando realice cualquier reparación, ajuste o inspección.

- Cuando despeje, repare o inspeccione el aditamento de pala quitanieves, pare el motor y asegúrese de que el ensamblaje de la barrena se haya detenido. Retire el paquete de batería para impedir que alguien arranque accidentalmente la herramienta.
- Tenga suma precaución cuando utilice la unidad en pendientes.
- No utilice nunca el aditamento de pala quitanieves sin los protectores adecuados y otros dispositivos protectores de seguridad en la posición correcta y en buenas condiciones de funcionamiento.
- No dirija nunca la descarga hacia personas o áreas donde se puedan producir daños materiales. Mantenga alejados a los niños y a otras personas.
- No sobrecargue la capacidad de la máquina intentando despejar la nieve a un ritmo demasiado rápido.
- Apague el aditamento de pala quitanieves cuando esté siendo transportado o no esté siendo utilizado.
- Use solo aditamentos y accesorios aprobados por el fabricante del aditamento de pala quitanieves.
- No utilice nunca el aditamento de pala quitanieves sin buena visibilidad o luz. Esté siempre seguro del apoyo de los pies y mantenga un agarre firme en las agarraderas. Camine; no corra nunca.
- No exponga un paquete de batería o una herramienta a un fuego o a una temperatura excesiva. Es posible que la exposición a un fuego o a una temperatura superior a 212 °F (100 °C) cause una explosión.
- Utilice la unidad solo con los paquetes de batería y los cargadores que se indican a continuación:

PAQUETES DE BATERÍAS	CARGADOR
BA1400, BA1400-FC, BA2800, BA2800-FC, BA4200, BA4200-FC, BA1400T, BA1400T-FC, BA2240T, BA2240T-FC, BA2242T, BA2242T-FC, BA2800T, BA2800T-FC, BA4200T, BA4200T-FC, BA5600T, BA5600T-FC, BA6720T, BA6720T-FC	CH2100, CH2100-FC, CH3200, CH3200-FC, CH5500, CH5500-FC, CH2800D, CH2800D-FC, CH7000, CH7000-FC

DESPEJE DE UN ENSAMBLAJE DE BARRENA OBSTRUIDO

El contacto de las manos con el ensamblaje de la barrena rotativa es la causa más común de lesiones asociadas con el aditamento de pala quitanieves. No use nunca la mano para limpiar el ensamblaje de la barrena rotativa.

Para despejar el ensamblaje de la barrena:

- ¡APAGUE LA HERRAMIENTA!
- Retire el paquete de batería de la herramienta.
- Espere 10 segundos para asegurarse de que la barrena haya dejado de rotar.
- Utilice siempre la herramienta de limpieza de barrenas que está sujeta a la máquina como accesorio, no use la mano.

MANTENIMIENTO Y ALMACENAMIENTO

- Compruebe a intervalos frecuentes si el apriete de todos los pernos o sujetadores es adecuado, para asegurarse de que el equipo esté en condiciones de funcionamiento seguras.
- Consulte siempre el manual del operador para obtener detalles importantes si el aditamento de pala quitanieves se va a almacenar durante un período prolongado.
- Mantenga o reemplace las etiquetas de seguridad e instrucciones, según sea necesario.
- Tenga en funcionamiento la máquina durante unos minutos para prevenir la congelación del ensamblaje de la barrena.

GUARDE ESTAS INSTRUCCIONES. Consúltelas frecuentemente y utilícelas para instruir a otras personas que puedan utilizar esta herramienta. Si le presta esta herramienta a alguien, préstele también estas instrucciones para prevenir el uso incorrecto del producto y posibles lesiones.

INTRODUCCIÓN

Felicitaciones por haber elegido un ADITAMENTO DE PALA QUITANIEVES EGO. Está pensado, diseñado y fabricado para brindarle el mejor rendimiento y la mejor confiabilidad posibles.

Si experimenta algún problema que no puede solucionar fácilmente, llame al 1-855-EGO-5656 para ponerse en contacto con el Centro de servicio al cliente de EGO.

Este manual contiene información importante para el ensamblaje, la operación y el mantenimiento seguro de su producto. Léalo atentamente antes de usar el producto. Mantenga este manual a mano para poder consultarlo en cualquier momento.

FECHA DE COMPRA _____ FECHA DE COMPRA _____
ANOTE EL NÚMERO DE SERIE Y LA FECHA DE COMPRA, Y GUARDE ESTOS DATOS EN UN LUGAR SEGURO PARA CONSULTARLOS EN CASO DE QUE SEA NECESARIO.

ESPECIFICACIONES

Tensión nominal	56V
Velocidad sin carga	1420±10% rpm 1750±10% rpm
Anchura de despeje	12 in (30cm)
Distancia de lanzamiento	Up to 25 ft. (7.5 m)
Altura de la entrada	6 in (15cm)
Temperatura de funcionamiento recomendada	14°F – 50°F (-10°C – 10°C)
Temperatura de almacenamiento recomendada	-4°F – 158°F (-20°C – 70°C) * Para el aparato SIN batería
Peso	11.4 lb. (5.2 kg)

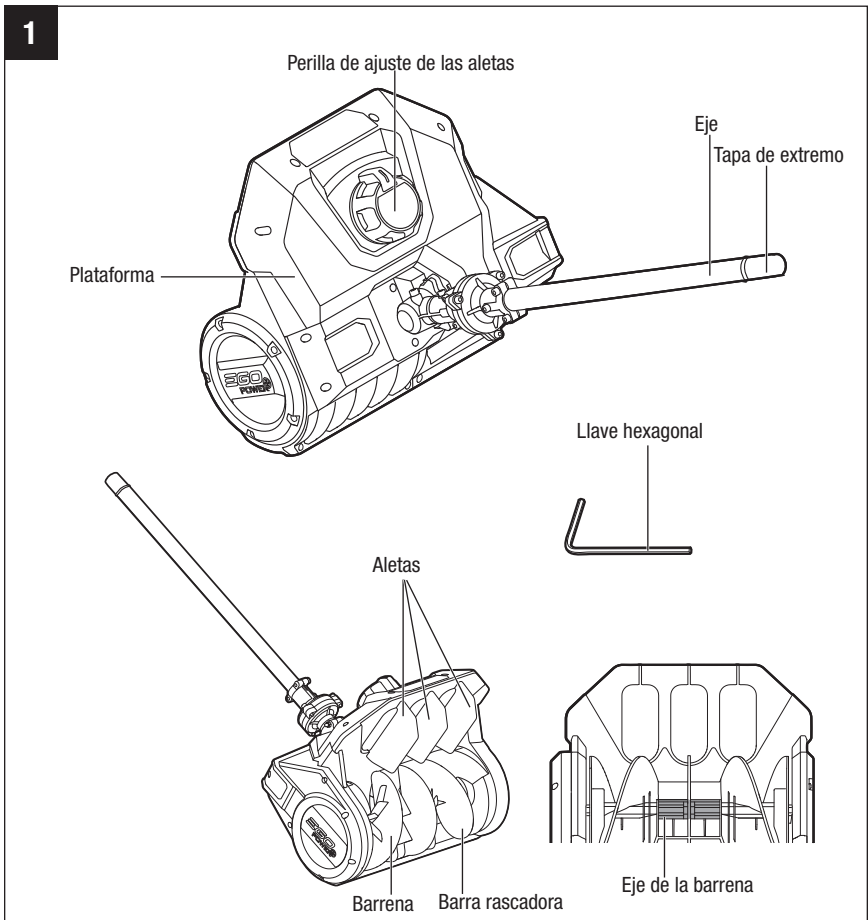
LISTA DE EMPAQUE

NOMBRE DE LA PIEZA	CANTIDAD
Aditamento de pala quitanieves	1
Llave hexagonal	1
Tapa de extremo	1

DESCRIPCIÓN

CONOZCA SU ADITAMENTO DE PALA QUITANIEVES (Fig. 1)

El uso seguro de este producto requiere una comprensión de la información que se encuentra en la herramienta y en este manual de instrucciones, así como conocimientos del proyecto que usted esté intentando. Antes de utilizar este producto, familiarícese con todas las funciones operativas y reglas de seguridad.



Barra rascadora

Retira la capa inferior de nieve de la superficie que usted esté despejando.

Perilla de ajuste de las aletas

La rotación de la perilla controla la dirección de las aletas.

Aletas

Las aletas dirigen la descarga de nieve en la dirección deseada.

ENSAMBLAJE

⚠ ADVERTENCIA: Si cualquier de las piezas está dañada o falta, no utilice este producto hasta que las piezas hayan sido reemplazadas. El uso de este producto con piezas dañadas o si le faltan piezas podría causar lesiones corporales graves.

⚠ ADVERTENCIA: No intente modificar este producto ni crear accesorios no recomendados para utilizarse con este producto. Cualquiera de dichas alteraciones o modificaciones constituye un uso indebido y podría causar una situación peligrosas que tenga como resultado posibles lesiones corporales graves.

DESEMPAQUETADO

- Inspeccione minuciosamente la herramienta para asegurarse que no se hayan producido roturas ni daños durante el envío.
- No deseche el material de empaquetamiento hasta que haya inspeccionado minuciosamente y utilizado satisfactoriamente la herramienta.
- Si cualquier pieza está dañada o falta, sírvase devolver el producto al lugar de compra.

CONEXIÓN DEL ADITAMENTO DE PALA QUITANIEVES AL CABEZAL MOTRIZ

⚠ ADVERTENCIA: No instale ni ajuste nunca aditamentos mientras el cabezal motriz esté en funcionamiento o con la batería instalada. Si no se detiene el motor y se retira la batería, es posible que se causen lesiones corporales graves.

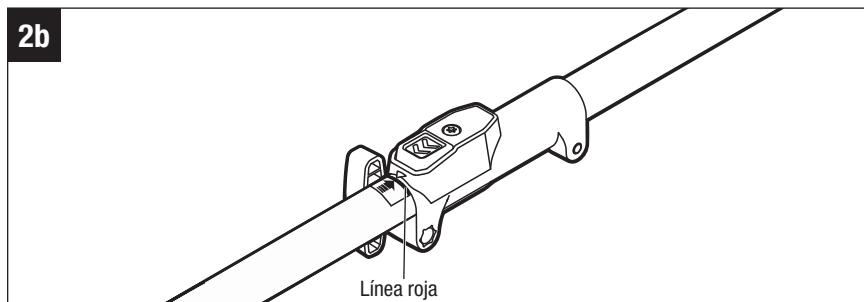
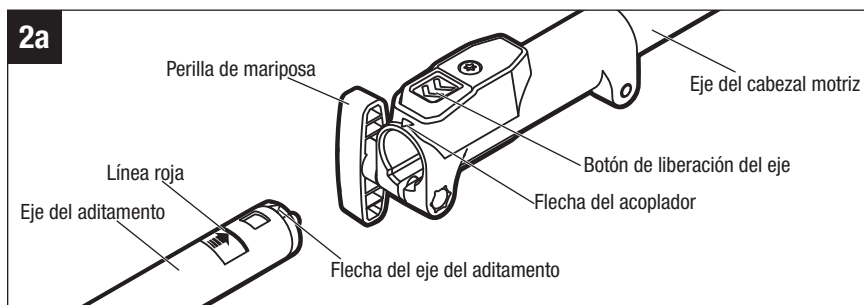
Este aditamento de pala quitanieves está diseñado para utilizarse solo con el cabezal motriz EGO PH1400/PH1400-FC.

El aditamento de pala quitanieves se conecta al cabezal motriz por medio de un dispositivo de acoplamiento.

1. Pare el motor y retire el paquete de batería.
2. Afloje la perilla de mariposa ubicado en el acoplador del cabezal motriz.

3. Retire la tapa de extremo ubicada en el aditamento de pala quitanieves y guárdela en un lugar seguro para usarla más tarde. Alinee la flecha ubicada en eje de la pala quitanieves con la flecha ubicada en el acoplador (Fig. 2a) y empuje el eje de la pala quitanieves hacia el interior del acoplador hasta que oiga un sonido de “CLIC” nítido. El acoplador se deberá posicionar totalmente hacia la LÍNEA ROJA etiquetada en el eje de la pala quitanieves: la línea roja debe estar al ras con el borde del acoplador (Fig. 2b).
4. Jale el eje del aditamento de pala quitanieves para verificar que está firmemente bloqueado en el acoplador. Si no lo está, rote el eje de la pala quitanieves de un lado a otro en el acoplador hasta que un sonido de “CLIC” nítido indique que está activado.
5. Apriete firmemente la perilla de mariposa.

⚠ ADVERTENCIA: Asegúrese de que la perilla de mariposa esté completamente apretada antes de utilizar el equipo; compruebe periódicamente el apriete durante el uso para evitar lesiones corporales graves.



DESINSTALACIÓN DEL ADITAMENTO DEL CABEZAL MOTRIZ

1. Pare el motor y retire el paquete de batería.
2. Afloje la perilla de mariposa.
3. Presione el botón de liberación del eje y, con el botón presionado, jale o gire el eje del aditamento para sacarlo del acoplador.

OPERACIÓN

⚠ ADVERTENCIA: No deje que la familiaridad con este producto le haga descuidarse. Recuerde que una fracción de segundo de descuido es suficiente para causar lesiones graves.

⚠ ADVERTENCIA: Use siempre protección ocular que esté marcada para cumplir con la norma ANSI Z87.1. El hecho de no hacerlo así podría tener como resultado que se lancen objetos hacia los ojos del operador y se causen otras posibles lesiones graves.

⚠ ADVERTENCIA: Para prevenir lesiones corporales graves, retire el paquete de batería de la herramienta antes de hacer servicio de ajustes y reparaciones, realizar limpieza, cambiar aditamentos o retirar material de la herramienta.

⚠ ADVERTENCIA: No utilice aditamentos o accesorios no recomendados por el fabricante de este producto. El uso de aditamentos o accesorios no recomendados puede causar lesiones corporales graves.

APLICACIONES

Este aditamento de pala quitanieves es totalmente idóneo para despejar nieve de banquetas de calle, peldaños, terrazas, patios y entradas de garaje más pequeñas cuando la profundidad de la nieve sea de menos de 6 pulgadas (15 cm).

UTILIZACIÓN DEL ADITAMENTO DE PALA QUITANIEVES CON EL CABEZAL MOTRIZ

⚠ ADVERTENCIA: No utilice nunca el aditamento de pala quitanieves en lagos congelados, ríos congelados o superficies congeladas similares. Se podrían producir lesiones graves o la muerte si el hielo se rompe.

⚠ ADVERTENCIA: No utilice nunca el aditamento de pala quitanieves en un tejado u otra superficie inestable, lo cual puede causar la muerte o lesiones corporales graves.

⚠ ADVERTENCIA: No utilice el aditamento de pala quitanieves en hielo, ya que eso puede hacer que el operador resbale y se caiga, teniendo como resultado posibles lesiones corporales graves.

⚠ ADVERTENCIA: No use ropa holgada, bufandas ni joyas. Pueden quedar atrapadas en las piezas móviles y causar la muerte o lesiones corporales graves.

⚠ ADVERTENCIA: No apunte nunca el aditamento de pala quitanieves en la dirección de personas o animales domésticos. La nieve lanzada u otros objetos lanzados pueden causar lesiones corporales graves.

⚠ ADVERTENCIA: Asegúrese de que el área que se vaya a despejar esté libre de piedras, palos, cables, grava y otros objetos que podrían ser lanzados al aire accidentalmente por el aditamento de pala quitanieves en cualquier dirección y causar lesiones corporales graves al operador y a otras personas.

Cuando utilice el aditamento de pala quitanieves, sujete la herramienta con un agarre firme con las dos manos mientras esté en funcionamiento (Fig. 3).

- Fíjese en la dirección del viento antes de comenzar. Cuando sea posible, descargue la nieve en la misma dirección que el viento para evitar que la nieve sea lanzada hacia atrás, de vuelta hacia la cara del operador.
- Algunas piezas del aditamento de pala quitanieves se pueden congelar en condiciones climáticas extremas. No intente utilizar la herramienta con piezas congeladas.
- Si la herramienta entra en contacto con cualquier tipo de obstrucción durante la utilización, deténgala y retire el paquete de batería. Compruebe minuciosamente la herramienta antes de utilizarla.
- Si la nieve es demasiado espesa y más profunda que la profundidad de despeje, es posible que se necesite más de una pasada para despejarla.
- Cuando haya acabado, deje que la herramienta siga en funcionamiento durante varios minutos para permitir que toda la nieve se retire de la barrena antes de almacenar la herramienta.



■ PARA ARRANCAR/PARAR LA HERRAMIENTA

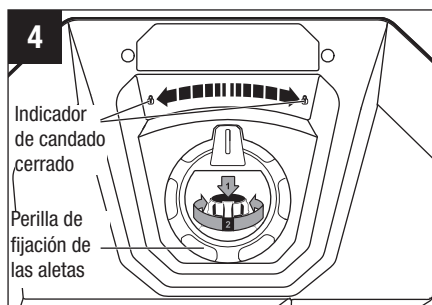
Consulte la sección “ARRANQUE/PARADA DEL CABEZAL MOTRIZ” del manual del operador del cabezal motriz de 56 V PH1400/PH1400-FC.

PERILLA DE AJUSTE DE LAS ALETAS (Fig.4)

La dirección de descarga de nieve se puede cambiar rotando la perilla de ajuste de las aletas. La descarga de nieve se puede dirigir hacia la izquierda, directamente hacia delante o hacia la derecha.

El giro máximo de la perilla es de 60° (30° hacia la izquierda o hacia la derecha).

Una vez que la perilla llegue a la posición más hacia la izquierda o más hacia la derecha, quedará fija en esa posición. Para desbloquear la perilla, presiónela hacia abajo y rótelas hacia el centro. Después de desbloquearla, la perilla se puede rotar de nuevo.



MANTENIMIENTO

⚠ ADVERTENCIA: Cuando haga servicio de ajustes y reparaciones, utilice solo piezas de repuesto EGO genuinas. Es posible que el uso de cualquier otra pieza cree un peligro o cause daños al producto. Para garantizar la seguridad y la confiabilidad, todas las reparaciones deberán ser realizadas por un técnico de servicio calificado.

⚠ ADVERTENCIA: Para prevenir lesiones corporales graves, retire el paquete de batería del cabezal motriz antes de inspeccionar, limpiar, efectuar mantenimiento o cambiar aditamentos adicionales.

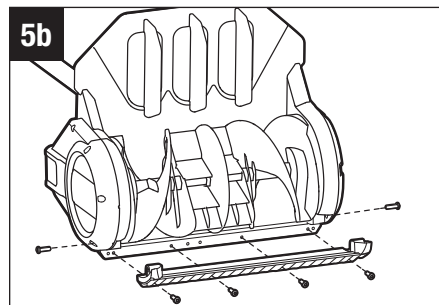
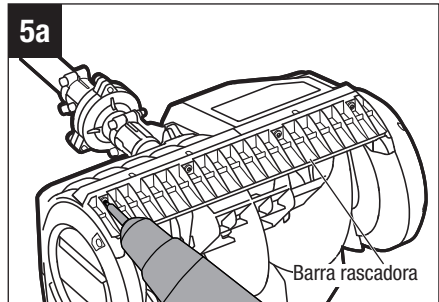
MANTENIMIENTO GENERAL

Evite utilizar solventes cuando limpie las piezas de plástico. La mayoría de los plásticos son susceptibles a sufrir daños por diversos tipos de solventes comerciales y es posible que resulten dañados por el uso de los mismos. Utilice paños limpios para retirar la suciedad, el polvo, el aceite, la grasa, etc.

⚠ ADVERTENCIA: Cuando limpie el aditamento de pala quitanieves, NO lo sumerja en agua u otros líquidos.

MONTAJE Y DESMONTAJE DE LA BARRA RASCADORA

1. Retire el paquete de batería del cabezal motriz.
2. Apoye el aditamento de pala quitanieves sobre su lado o cualquier otra posición para hacer servicio de ajustes y reparaciones de la barra rascadora.
3. Retire los cuatro tornillos que están ubicados en la barra rascadora, así como los dos tornillos ubicados en ambos extremos. Utilice un destornillador T20 (no incluido) para desenroscarlos (Fig. 5a y 5b).



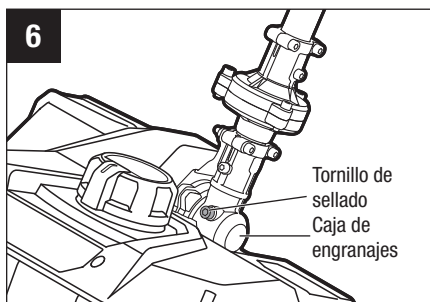
4. Reemplace la barra rascadora desgastada por una nueva.
5. Para realizar el reensamblaje, inserte primero la barra rascadora nueva, con los seis agujeros alineados, inserte los seis tornillos en los agujeros y fíjelos con un destornillador (no incluido).

LUBRICACIÓN DE LOS ENGRANAJES DE TRANSMISIÓN

Los engranajes de transmisión ubicados en la caja de engranajes necesitan ser lubricados periódicamente con grasa para engranajes. Compruebe el nivel de grasa de la caja de engranajes aproximadamente cada 50 horas de funcionamiento retirando el tornillo de sellado ubicado en un lado de la caja de engranajes.

Si no se puede ver grasa en los lados del engranaje, siga los pasos que se indican a continuación para llenar la caja de engranajes con grasa hasta 3/4 de la capacidad. No llene completamente la caja de engranajes de transmisión.

1. Posicione la herramienta en posición vertical, de manera que el tornillo de sellado esté orientado hacia arriba (Fig. 6).
2. Utilice la llave multifunción suministrada para aflojar y retirar el tornillo sellante.
3. Utilice una jeringa de grasa (no incluida) para inyectar un poco de grasa en el agujero para el tornillo; no exceda 3/4 de la capacidad.
4. Apriete el tornillo de sellado después de la inyección.



TRANSPORTE Y ALMACENAMIENTO

- Retire el paquete de batería de la herramienta.
- Limpie minuciosamente la herramienta antes de almacenarla.
- Almacene la herramienta en un área seca y bien ventilada, cerrada con llave o en un lugar elevado, fuera del alcance de los niños. No almacene la herramienta sobre fertilizantes, gasolina u otras sustancias químicas, ni en lugares adyacentes a dichos productos.

SOLUCIÓN DE PROBLEMAS

PROBLEMA	CAUSA	SOLUCIÓN
La pala quitanieves no arranca.	<ul style="list-style-type: none"> ■ La batería no está cargada. ■ El botón de fijación en apagado o el interruptor gatillo no se utiliza ■ La batería no está completamente insertada en la carcasa. 	<ul style="list-style-type: none"> ■ Cargue la batería. ■ Siga la sección “ARRANQUE/PARADA DEL CABEZAL MOTRIZ” del manual del PH1400/PH1400-FC. ■ Compruebe si la batería está completamente insertada en la carcasa.
La máquina está visiblemente dañada.	<ul style="list-style-type: none"> ■ Daños accidentales durante el transporte o el uso. 	<ul style="list-style-type: none"> ■ No siga usando la máquina, contacte a servicio al cliente de EGO.
La pala quitanieves deja una capa fina.	<ul style="list-style-type: none"> ■ La barra rascadora está desgastada. 	<ul style="list-style-type: none"> ■ Reemplace la barra rascadora.
Apagado inesperado durante el funcionamiento. No se lanza nieve desde la plataforma.	<ul style="list-style-type: none"> ■ La máquina está sobrecargada. La barrena está completamente atorada por la nieve pesada. ■ El paquete de batería o la máquina están sobrecalentados. 	<ul style="list-style-type: none"> ■ Retire la nieve de la barrena y reduzca la intensidad de la carga de la máquina. ■ Deje que la batería y/o la herramienta se enfríen antes de reanudar el trabajo.

GARANTÍA

POLÍTICA DE GARANTÍA

Garantía limitada de 5 años en equipos de energía para exteriores y energía portátil EGO POWER+ para uso doméstico personal.

Garantía limitada de 3 años en paquetes de baterías y cargadores con el Sistema EGO POWER+ para uso doméstico personal.

Garantía limitada de 2 años/1 año en equipos de energía para exteriores, energía portátil, paquetes de baterías y cargadores EGO para uso profesional y comercial.

Los períodos de garantía detallados por productos se pueden encontrar en línea en <http://egopowerplus.com/pages/warranty-policy>.

Póngase en contacto con Servicio al Cliente de EGO de manera gratuita al 1-855-EGO-5656, cuando tenga preguntas o reclamaciones de garantía.

GARANTÍA LIMITADA DE SERVICIO

Los productos EGO están garantizados contra defectos de material o de fabricación a partir de la fecha de compra original al por menor durante el período de garantía aplicable. El producto defectuoso será reparado gratuitamente.

- a) Esta garantía se aplica solo al comprador original del distribuidor minorista autorizado de EGO y podría no ser transferible. Los distribuidores minoristas autorizados de EGO se identifican en línea, en <http://egopowerplus.com/pages/warranty-policy>.
- b) El período de garantía para productos reacondicionados o certificados de fábrica que se utilizan para fines residenciales es de 1 año, para fines industriales, profesionales o comerciales es de 90 días.
- c) El período de garantía para piezas del mantenimiento de rutina, incluidas, entre otras, cuchillas, cabezales de orilladoras, listones de cadenas, cadenas de motosierras, correas, barras raspadoras, boquillas de sopladores y todos los demás accesorios EGO, es de 90 días con fines residenciales y de 30 días para propósitos industriales, profesionales o comerciales. Estas piezas tienen cobertura durante 90/30 días por defectos de fabricación en condiciones normales de trabajo.
- d) Esta garantía queda nula si el producto se ha puesto en alquiler.

- e) Esta garantía no cubre daños producto de modificaciones, alteraciones o reparaciones no autorizadas.
- f) Esta garantía solo cubre defectos que surjan del uso normal y no cubre el mal funcionamiento, las fallas ni los defectos que resulten del mal uso, el abuso (que incluye la sobrecarga del producto más allá de su capacidad y sumergirlo en agua o en cualquier otro líquido), accidentes, negligencia o falta de instalación adecuada y mantenimiento o almacenamiento inadecuados.
- g) Esta garantía no cubre el deterioro normal del acabado exterior, incluidos, entre otros, rayones, abolladuras, trozos de pintura o cualquier corrosión o decoloración producida por el calor o limpiadores químicos y abrasivos.

CÓMO OBTENER EL SERVICIO

Para obtener el servicio de garantía, póngase en contacto con Servicio al Cliente de EGO de manera gratuita al **1-855-EGO-5656**. Cuando pida un servicio cubierto por la garantía, debe presentar el recibo con la fecha original de venta. Un centro de servicio autorizado será seleccionado para reparar el producto de acuerdo con los términos establecidos en la garantía. Cuando lleve el producto al centro de servicio autorizado, es posible que deba hacer un pequeño depósito cuando deje la herramienta. Este depósito se reembolsará cuando se considere que el servicio de reparación se haya cubierto con la garantía.

LIMITACIONES ADICIONALES

En la medida en que la ley aplicable lo permita, se deniegan todas las garantías implícitas, inclusive las garantías de COMERCIALIZADIDAD o IDONEIDAD PARA UN PROPÓSITO ESPECÍFICO. Todas las garantías implícitas, inclusive las garantías de comerciabilidad o idoneidad para un propósito específico, que no se puedan denegar bajo la ley estatal, están limitadas al período de garantía aplicable definido al comienzo de este artículo.

Chervon North America no se hará responsable por daños directos, indirectos, accidentales o resultantes.

Algunos estados no permiten limitaciones con respecto a la duración de una garantía implícita y/o no permiten la exclusión o limitación de daños accidentales o resultantes, de modo que las limitaciones antes descritas podrían no aplicarse en su caso.

Esta garantía le otorga derechos legales específicos, pero podría tener también otros derechos que varían según el estado.



Para obtener el servicio al cliente, póngase en contacto con nosotros de manera gratuita al: **1-855-EGO-5656** o visite: **EGOPOWERPLUS.COM**
EGO Customer Service, 769 SEWARD AVE NW / Suite 102 Grand Rapids, MI 49504

02/2022

76

ADITAMENTO DE PALA QUITANIEVES — SSA1200/SSA1200-FC