

5.50"

KLUTCH

Auto Rewind Air Hose Reel

Owner's Manual



⚠ WARNING: Read carefully and understand all ASSEMBLY AND OPERATION INSTRUCTIONS before operating. Failure to follow the safety rules and other basic safety precautions may result in serious personal injury.

Items #73429, #73430, #113689, #113705

READ & SAVE THESE INSTRUCTIONS

8.50"

Thank you very much for choosing a Klutch® product!

For future reference, please complete the owner's record below:

Serial Number/Lot Date Code: _____

Purchase Date: _____

Save the receipt, warranty, and this manual. It is important that you read the entire manual to become familiar with this product before you begin using it.

This air hose reel is designed for certain applications only. Northern Tool & Equipment is not responsible for issues arising from modification or improper use of this product such as an application for which it was not designed. We strongly recommend that this product not be modified and/or used for any application other than that for which it was designed.

For technical questions, please call **1-800-222-5381**.

Table of Contents

Intended Use	4
Packaging Contents	4
Technical Specifications	4
Important Safety Information	4
Specific Operation Warnings	6
Main Parts of Air Hose Reel	7
Mounting Instructions	7
Before Each Use	9
Operating Instructions	9
After Each Use	10
Maintenance	10
Troubleshooting	10
Parts Diagram	11
Parts List	11
Replacement Parts	13
Limited Warranty	14

Intended Use

The Klutch Auto Rewind Air Hose Reel is suitable for a variety of heavy-duty applications such as mining, construction, service, and marine industries. The industrial-grade reel includes: a hose with a maximum 300 PSI working pressure, an automatic rewind, and easy installation on a wall, floor, or ceiling. The reel features an adjustable guide arm that allows for a variety of mounting orientations.

Note: Before beginning assembly and installation, purchase appropriate hardware for mounting the reel. The mounting base has four ½" (12.7mm) holes for mounting on wall, ceiling, or floor surfaces.

Packaging Contents

- Retractable Hose Reel with Air Hose
- 3' Lead-in Hose
- Owner's Manual

Technical Specifications

Property	#73430	#73429	#113689	#113705
Maximum PSI	300	300	300	300
Hose Dimensions	3/8" x 50 ft.	1/2" x 50ft.	3/8" x 25 ft.	3/8" x 75 ft.
Hose Outlet Size (in. NPT)	3/8" Male	1/2" Male	3/8" Male	3/8" Male
Hose Material	Kink-resistant Rubber	Kink-resistant Rubber	Kink-resistant Rubber	Kink-resistant Rubber
Reel Material	Steel with Powder-coat Finish	Steel with Powder-coat Finish	Steel with Powder-coat Finish	Steel with Powder-coat Finish
Maximum Hose Temp Range (°F)	190	190	190	190
Minimum Hose Temp Range (°F)	-40	-40	-40	-40
Reel Inlet Size (in. NPT)	3/8" Male	1/2" Male	3/8" Male	3/8" Male

Important Safety Information

⚠WARNING

- Read and understand all instructions. Failure to follow all instructions may result in serious injury or property damage.
- The warnings, cautions, and instructions in this manual cannot cover all possible conditions or situations that could occur. Exercise common sense and caution when using this tool. Always be aware of the environment and ensure that the tool is used in a safe and responsible manner.
- Do not allow persons to operate or assemble the product until they have read this manual and have developed a thorough understanding of how it works.
- Do not modify this product in any way. Unauthorized modification may impair the function and/or safety and could affect the life of the product. There are specific applications for which the product was designed.
- Use the right tool for the job. DO NOT attempt to force small equipment to do the work of larger industrial equipment. There are certain applications for which this equipment was designed. It will be a safer experience and do the job better at the capacity for which it was intended. DO NOT use this equipment for a purpose for which it was not intended.
- Industrial or commercial applications must follow OSHA requirements.

⚠WARNING

PROP 65

This product can expose you to chemicals including lead, which is known to the State of California to cause cancer or birth defects or other reproduction harm. For more information, visit www.p65warnings.ca.gov.

⚠WARNING

WORK AREA SAFETY

- Inspect the work area before each use. Keep work area clean, dry, free of clutter, and well-lit. Cluttered, wet, or dark work areas can result in injury. Using the product in confined work areas may put you dangerously close to cutting tools and rotating parts.
- Do not use the product where there is a risk of causing a fire or an explosion; e.g., in the presence of flammable liquids, gases, or dust. The product can create sparks, which may ignite the flammable liquids, gases, or dust.
- Do not allow the product to come into contact with an electrical source. The tool is not insulated and contact will cause electrical shock.
- Keep children and bystanders away from the work area while operating the tool. Do not allow children to handle the product.
- Be aware of all power lines, electrical circuits, water pipes, and other mechanical hazards in your work area. Some of these hazards may be hidden from your view and may cause personal injury and/or property damage if contacted.

⚠WARNING

PERSONAL SAFETY

- Stay alert, watch what you are doing, and use common sense when operating the tool. Do not use the tool while you are tired or under the influence of drugs, alcohol, or medication. A moment of inattention while operating the tool may result in serious personal injury.
- Dress properly. Do not wear loose clothing, dangling objects, or jewelry. Keep your hair, clothing and gloves away from moving parts. Loose clothes, jewelry, or long hair can be caught in moving parts. Air vents on the tool often cover moving parts and should be avoided.
- Wear the proper personal protective equipment when necessary. Use ANSI Z87.1 compliant safety goggles (not safety glasses) with side shields, or when needed, a face shield. Use a dust mask in dusty work conditions. Also use non-skid safety shoes, hardhat, gloves, dust collection systems, and hearing protection when appropriate. This applies to all persons in the work area.
- Do not overreach. Keep proper footing and balance at all times.
- Secure the work with clamps or a vise instead of your hand when practical. This safety precaution allows for proper tool operation using both hands.

⚠CAUTION

HOSE REEL USE AND CARE

- Do not force the hose reel. Products are safer and do a better job when used in the manner for which they are designed. Plan your work, and use the correct product for the job.
- Check for damaged parts before each use. Carefully check that the product will operate properly and perform its intended function. Replace damaged or worn parts immediately. Never operate the product with a damaged part.
- Do not use a product with a malfunctioning switch. Any power tool that cannot be controlled with the power switch is dangerous and must be repaired by an authorized service representative before using.
- Disconnect the power/air supply from the product and place the switch in the locked or off position before making any adjustments, changing accessories, or storing the tool. Such preventive safety measures reduce the risk of starting the tool accidentally.
- Store the hose reel when it is not in use. Store it in a dry, secure place out of the reach of children. Inspect the tool for good working condition prior to storage and before re-use.
- Use only accessories that are recommended by the manufacturer for use with your product. Accessories that may be suitable for one product may create a risk of injury when used with another tool. Never use an accessory that has a lower operating speed or operating pressure than the tool itself.
- Keep guards in place and in working order. Never operate the product without the guards in place.
- Do not leave the tool running unattended.

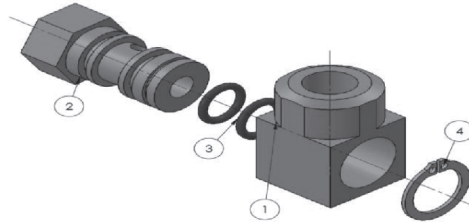
Specific Operation Warnings

⚠WARNING

- Wear ANSI Z87.1 compliant safety goggles or safety glasses with side shields when assembling and using the hose reel.
- Do not exceed the max working pressure of 300 PSI.
- Keep children away from the work area. If not in use, store out of the reach of children.
- Ensure that the reel is properly installed before connecting input and output hoses.
- Before connecting a pressure source, ensure that the supply pressure does not exceed maximum working pressure rating of reel.
- Never attach any tool or accessory to the hose unless it is capable of safely operating at a pressure greater than the supply pressure.
- If a leak occurs in the hose or reel, remove system pressure immediately.
- If reel ceases to unwind or rewind, remove system pressure immediately.
- Do not kink the hose. Do not step on the hose or drive or drag objects over the hose. Do not place any objects on the hose or hose reel.
- Pull the hose from the reel by grasping the hose itself, not the valve.

- Bleed fluid/gas pressure from reel before servicing it.
- Use soap and water when checking for air leaks. Exposure of skin directly to pressurized air or fluids could result in severe bodily injury. Remember, even low pressure is very dangerous and can cause personal injury or death.

Main Parts of Air Hose Reel



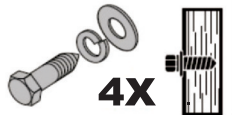
Reference Number	Subassembly
1	Bearing Cover
2	Swivel Shaft
3	O-ring or Seal
4	Snap Ring

Mounting Instructions

TYPICAL FASTENERS AND HARDWARE COMBINATIONS

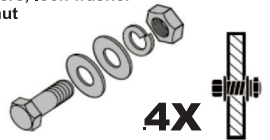
WOOD

Lag bolt, lock washer and flat washer



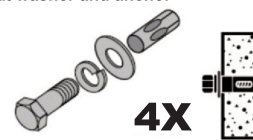
METAL

Machine bolt, two flat washers, lock washer and nut



MASONRY

Machine bolt, lock washer, flat washer and anchor



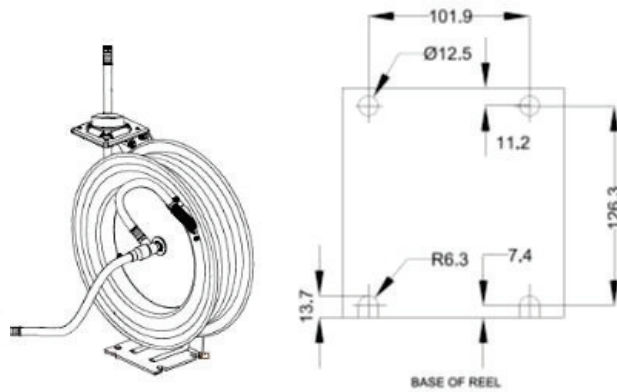
⚠WARNING

- To avoid a dangerous sudden release of pressure that can cause severe injury, ensure that the pressure source for the reel is turned off and the supply hose is not pressurized.

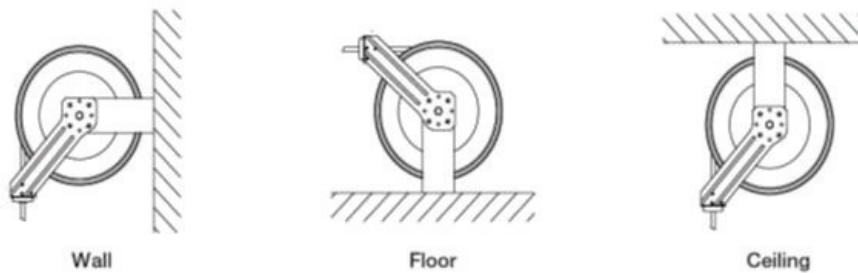
Before beginning assembly and installation, purchase appropriate hardware for mounting the reel. The mounting base has four 1/2" (12.7mm) holes for mounting on a suitable flat surface.

Note: For overhead ceiling mounting, install the reel at most 10 feet (3m) above the floor.

1. Prior to mounting the hose reel, ensure that the supply hose pressure does not exceed the maximum working pressure of the hose reel. Also check that the pressure source is turned off and the supply hose for the reel is not pressurized.
2. Unpack the reel then check that all parts are present and inspect for damage. Check the reel function for smooth rotation.
3. Fasten the mounting base (4) in the desired location. Illustrations with reel dimensions and the pattern of the mounting holes in the base follow. Tighten all hardware securely.



4. The arm that guides the hose on and off the reel can be repositioned for better function, as shown in the illustration below. If desired, follow steps 4 through 6 to reposition the arm, otherwise continue with step 7.



5. Pull out the hose until the reel latches.
6. Remove the four sets of nuts and washers holding the arm (5) to the base (4).
7. Turn the arm to a desired position, aligning the arm mounting holes with the holes in the flange of the base, and retighten the nuts and washers.
8. Connect the hoses.
9. Apply Teflon tape or pipe sealant to the supply hose threads, then attach it to end fitting of the reel's swivel (6) and tighten. If not already connected, the unpressurized supply hose can now be connected to the supply source. If the reel was supplied with a hose already wound on it, continue with step 13. If not, continue to the next step.
10. Turn the reel drum by hand until the rewind spring is tight and the drum has latched. As an extra precaution while installing the new hose, secure the drum in its latched position.
11. Insert the end of the delivery hose through the roller bracket (24) and feed it through the opening in the drum flange.
12. Use Teflon tape or pipe sealant on the hose fitting threads, then screw it into the fitting of the short hose attached to the reel's swivel (7) and tighten.

Note: To avoid damage to the swivel, use a wrench to support the swivel while tightening the hose.
13. Attach the ball stop (25) to the other end of delivery hose.

14. Carefully release the drum latch, and slowly allow the hose to wind onto the reel with control, making sure the hose winds in even, straight turns on the reel.
15. Apply Teflon tape or pipe sealant to the outlet fitting on the delivery hose, then attach it to a desired tool or nozzle. Pressurize the reel and check all the connections for leakage. Also check the hose reel for correct rotation/latching and be sure the system pressure is adequate to perform the intended function (see Operating Instructions).
16. If a final adjustment to the ball stop (25) is required, pull the hose from the reel and allow it to latch at a desired length. Loosen the ball stop bolts, and slide it to a position close to the roller bracket (24). Retighten the ball stop bolts.

Before Each Use

⚠WARNING

- Ensure that the reel is properly installed before connecting input and output hoses.
 - Before connecting a pressure source, ensure that the supply pressure does not exceed maximum working pressure rating of reel.
 - Inspect the hose reel fittings, alignment, hoses, and components periodically before use.
- Ensure that the hose reel is in proper working order before use.
 - Inspect the hose reel fittings, alignment, hoses and components periodically before use. Have damaged or worn components repaired or replaced by an authorized technician.

Operating Instructions

⚠WARNING

- Wear ANSI Z87.1 compliant safety goggles or safety glasses with side shields when assembling and using the hose reel.
- Do not exceed the max working pressure of 300 PSI.
- Never attach any tool or accessory to the hose unless it is capable of safely operating at a pressure greater than the supply pressure.
- If a leak occurs in the hose or reel, remove system pressure immediately.
- If reel ceases to unwind or rewind, remove system pressure immediately.
- Do not kink the hose. Do not step on the hose or drive or drag objects over the hose. Do not place any objects on the hose or hose reel.
- Pull the hose from the reel by grasping the hose itself, not the valve.
- Use soap and water when checking for air leaks. Exposure of skin directly to pressurized air or fluids could result in severe bodily injury. Remember, even low pressure is very dangerous and can cause personal injury or death.
- Avoid accidentally releasing the reel's latching mechanism. The hose reel is under tension and accidental release can cause a wildly spinning reel and personal injury.
- If necessary, adjust the spring tension on the reel by adding or removing wraps of hose from the spool, one wrap at a time, until desired tension is obtained.

- To avoid damage to the hose reel, always hold on to the cable while it is rewinding.
- Check the reel for correct operation by slowly pulling out the hose. A clicking noise will be heard every half-revolution of the drum.
- To latch the reel, pull out the hose and allow it to retract after hearing the first, second, or third click.
- To unlatch the reel, slowly pull out the hose until the clicking noise stops then, holding on to the hose, let it retract with control until the stop/block rests against the hose guide/rollers.

After Each Use

- Inspect the hose reel fittings, alignment, hoses, and components periodically after use so that worn or damaged components can be ordered and replaced before the next use. Have damaged or worn components repaired or replaced by an authorized technician.
- Keep the hose and air-tools or nozzles dry, clean, and free from oil and grease.
- Periodically clean the hose with a cloth dipped in warm water to remove dirt or deposits and ensure correct winding on the reel. Do not use detergents or solvents which could prove incompatible with cable-winder materials.

Maintenance

Maintain the air hose reel by adopting a program of conscientious repair and maintenance in accordance with the following recommended procedures. It is recommended that the general condition of any tool be examined before it is used. Keep your tool in good repair. Periodically check the hose condition for wear or damage, and check the swivel fitting for leakage. See Troubleshooting for replacing any worn, damaged, or leaking parts. Keep handles dry, clean, and free from oil and grease. The following chart is based on a normal operation schedule.

Maintenance Interval	Maintenance Point
After 3-4 days	Grease the ratchet.
After a week	Tighten the nut at the base of the plate.

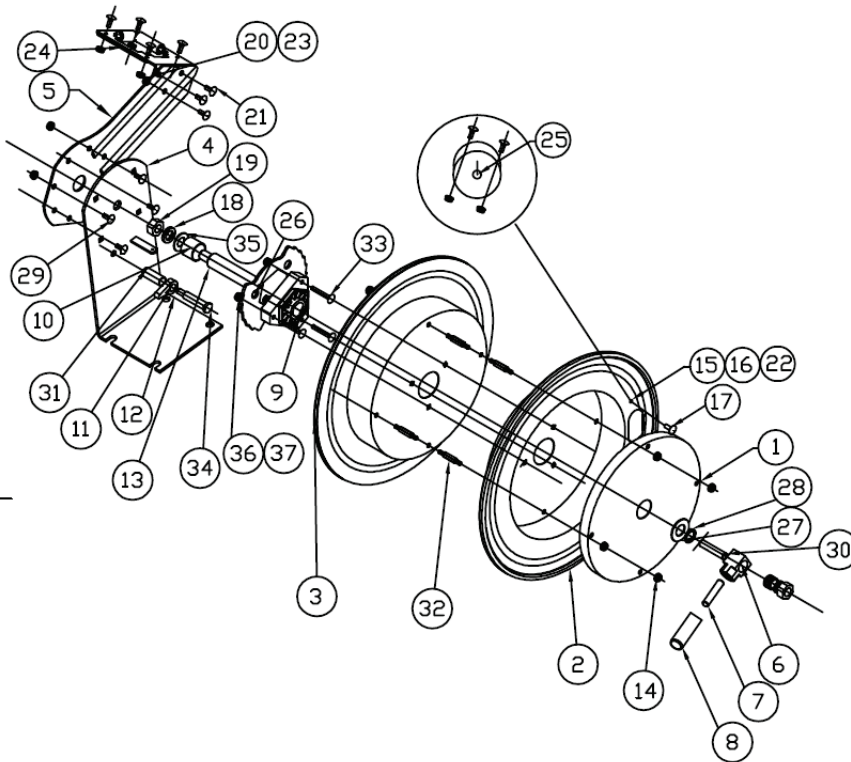
Troubleshooting

Use the table below to troubleshoot problems before contacting service personnel or your local dealer. If the problem continues after troubleshooting, call your local dealer for assistance.

Failure	Possible Cause	Corrective Action
Reel will not latch.	Due to a hard pull, the lock is broken.	Contact a qualified technician for service.
Reel will not retract.	Reel was pulled too hard and the spring assembly inside was damaged.	Contact a qualified technician for service.

Failure	Possible Cause	Corrective Action
Air is leaking from the hose connection.	Teflon tape was not used, threads are not tightened, or threads were damaged due to force with a hard surface.	Tighten the leaking connection. If necessary, check to be sure the threads are not stripped. If stripped, contact a qualified technician for replacement service.
Air is leaking from the hose.	Hose might be damaged due to defect or abuse.	Check the hose for damage. If damaged, contact a qualified technician for replacement service.

Parts Diagram



Parts List

Reference Number	Part Description	Quantity
1	Spring Assembly	1
2	Drum	1
3	Drum	1
4	Base	1
5	Arm	1
6	Swivel Assembly	1
7	Hose Assembly	1
8	Guard Spring	1
9	Hub Bearing Assembly	1
10	Spacer	1
11	Ratchet	2
12	Spring, Latch Pawl	1
13	Axle	1
14	Nut	8
15	Clamp	1
16	Clamp	1
17	Bolt	2
18	Washer	2
19	Nut	1
20	Washer	3
21	Bolt	3
22	Nut	2
23	Lock Nut	3
24	Roller Bracket Assembly	1
25	Ball Stop Assembly	1
26	Ratchet	1
27	Washer Spacer	1
28	Retaining Ring	1
29	Bolt	4
30	Setscrew	1
31	Washer Spacer	1
32	Set Screw	4
33	Bolt	3
34	Bolt	1
35	Washer Spacer	1
36	Lock Nut	3
37	Washer Spacer	3

Replacement Parts

- For replacement parts and technical questions, please call Customer Service at **1-800-222-5381**.
- Not all product components are available for replacement. The illustrations provided are a convenient reference to the location and position of parts in the assembly sequence.
- When ordering parts, the following information will be required: item description, item model number, item serial number/item lot date code, and the replacement part reference number.
- The distributor reserves the rights to make design changes and improvements to product lines and manuals without notice.

Limited Warranty

Northern Tool and Equipment Company, Inc. ("We" or "Us") warrants to the original purchaser only ("You" or "Your") that the Klutch product purchased will be free from material defects in both materials and workmanship, normal wear and tear excepted, for a period of **two years** from date of purchase. The foregoing warranty is valid only if the installation and use of the product is strictly in accordance with product instructions. There are no other warranties, express or implied, including the warranty of merchantability or fitness for a particular purpose. If the product does not comply with this limited warranty, Your sole and exclusive remedy is that We will, at our sole option and within a commercially reasonable time, either replace the product or product component without charge to You or refund the purchase price (less shipping). This limited warranty is not transferable.

Limitations on the Warranty

This limited warranty does not cover: (a) normal wear and tear; (b) damage through abuse, neglect, misuse, or as a result of any accident or in any other manner; (c) damage from misapplication, overloading, or improper installation; (d) improper maintenance and repair; and (e) product alteration in any manner by anyone other than Us, with the sole exception of alterations made pursuant to product instructions and in a workmanlike manner.

Obligations of Purchaser

You must retain Your product purchase receipt to verify date of purchase and that You are the original purchaser. To make a warranty claim, contact Us at 1-800-222-5381, identify the product by make and model number, and follow the claim instructions that will be provided. The product and the purchase receipt must be provided to Us in order to process Your warranty claim. Any returned product that is replaced or refunded by Us becomes our property. You will be responsible for return shipping costs or costs related to Your return visit to a retail store.

Remedy Limits

Product replacement or a refund of the purchase price is Your sole remedy under this limited warranty or any other warranty related to the product. We shall not be liable for: service or labor charges or damage to Your property incurred in removing or replacing the product; any damages, including, without limitation, damages to tangible personal property or personal injury, related to Your improper use, installation, or maintenance of the product or product component; or any indirect, incidental or consequential damages of any kind for any reason.

Assumption of Risk

You acknowledge and agree that any use of the product for any purpose other than the specified use(s) stated in the product instructions is at Your own risk.

Governing Law

This limited warranty gives You specific legal rights, and You also may have other rights which vary from state to state. Some states do not allow limitations or exclusions on implied warranties or incidental or consequential damages, so the above limitations may not apply to You. This limited warranty is governed by the laws of the State of Minnesota, without regard to rules pertaining to conflicts of law. The state courts located in Dakota County, Minnesota shall have exclusive jurisdiction for any disputes relating to this warranty.

KLUTCH

Distributed by:

Northern Tool & Equipment Company, Inc.

Burnsville, Minnesota 55306

www.northerntool.com

Made in India

Page 15 of 15

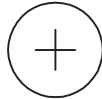
AUTO REWIND AIR HOSE REEL MOUNTING TEMPLATE

RECOMMENDED MOUNTING HARDWARE :

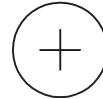
3/8" BOLT x (4)
LOCK WASHER x (4)
FLAT WASHER x (4)

Mounting Hardware not included.

Please reference manual for type of hardware combinations needed for different mounting surfaces



Fasten this
point with
1 bolt
1 lock washer
1 flat washer

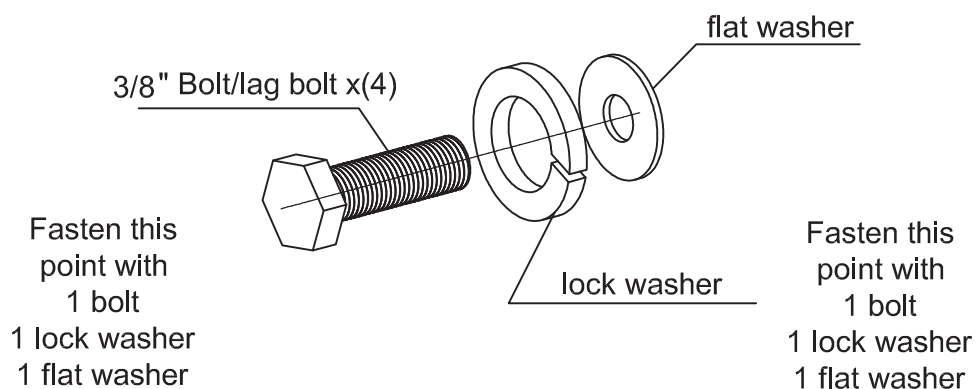


Fasten this
point with
1 bolt
1 lock washer
1 flat washer



Read and understand entire manual before assembling, mounting,
or using hose reel. Failure to follow instructions or warnings could result
in personal injury and/or property damage.

MOUNTING TEMPLATE



WALL
MOUNT
POSITION

