



OPERATIONS & PARTS MANUAL

FOR MODELS

**BE-BBR4N
BE-BBR45N**

**BE-BBR5N
BE-BBR55N**

**BE-BBR6N
BE-BBR7N**

PURCHASE DATE	MODEL NO.	SERIAL NUMBER
DEALER		

SAFETY INFORMATION

CAUTION

The following safety precautions should be thoroughly understood before attempting to begin assembling this machine.

1. Select an area for assembly that is clean and free of any debris which might cause persons working on the assembly to trip.
2. Do not lift heavy parts or assemblies. Use crane jack, tackle, fork trucks or other mechanical device.
3. Never put hands, or any part of body, under blocked up assemblies if at all possible.
4. After completing assembly, thoroughly inspect the machine to be sure that all nuts, bolts, hydraulic fittings or any other fastened assemblies have been thoroughly tightened.
5. Before operating equipment, If you have any questions regarding the proper assembly or operations, contact your dealer or the manufacturer.

IMPORTANT SAFETY INFORMATION

Working with unfamiliar equipment can lead to careless injuries. Read this manual and the manual for your tractor, before assembly or operating, to acquaint yourself with the machine. It is the box scraper owner's responsibility, if this machine is used by any other person than yourself, is loaned or rented, to make certain that the operator is instructed in safe and proper use.

The use of this equipment is subjected to certain hazards which can not be protected against by mechanical means or product design. All operators of this equipment must read and understand this entire manual, paying close attention to safety and operating instructions, prior to using. If there is something in this manual you do not understand, ask your supervisor, or dealer, to explain it to you.

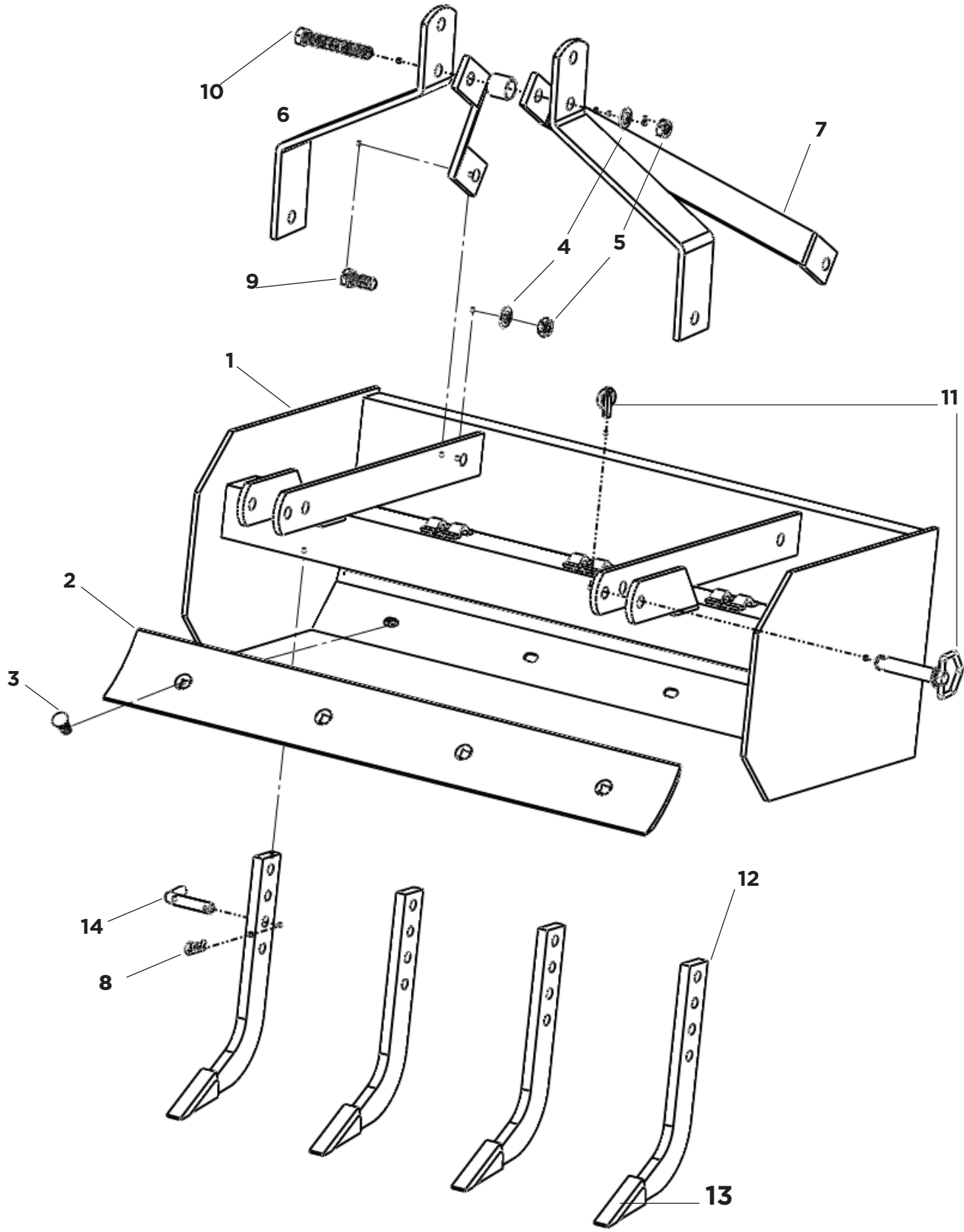
Most accidents occur because of neglect or carelessness. Keep all helpers and bystanders 25 feet from an operating box scraper. Only properly trained people should operate this machine.

Personal protection equipment including safety glasses, safety shoes and gloves are recommended during assembly, installation, operation, adjustment, maintaining, repairing, removal or moving the box scraper. Never place any part of your body where it would be in danger if movement should occur during assembly, installation, operation, maintaining, repairing, removal or moving the box scraper.

Before you operate the box scraper, check over all pins, bolts and connections to be sure all are securely in place. Replace any damaged or worn parts immediately.

Do not allow anyone who is not familiar with the safety rules and operation instructions to use this box scraper.

MACHINE COMPONENT IDENTIFICATION



EXPLODED VIEW

REF #	PART #	DESCRIPTION	SPECIFICATION	QTY
1	480401	Main Frame Weldment	4 FT	1
	480501	Main Frame Weldment	5 FT	1
	480601	Main Frame Weldment	6 FT	1
	480701	Main Frame Weldment	7 FT	1
	480801	Main Frame Weldment	8 FT	1
2	480402	4 FT Blade		2
	480502	5 FT Blade		2
	480602	6 FT Blade	10MM	2
	481602	6 FT Thicker Blade	12MM	2
	480702	7 Ft Blade	12MM	2
	480802	8 Ft Blade	12MM	2
3	480403	Carriage Bolt - M16 X 40	4 FT	8
	480503		5 FT	10
	480603		6 FT	12
	480703		7 FT	14
	480803		8 FT	16
4	480404	Lock Washer - 16	4 FT	11
	480504		5 FT	13
	480604		6 FT	15
	480704		7 FT	17
	480804		8 FT	19
5	480405	Nut - 16	4 FT	11
	480505		5 FT	13
	480605		6 FT	15
	480705		7 FT	17
	480805		8 FT	19
6	480006	Top Link		2
7	480007	Tie Strap		2
8	480408	Hair Pin Clip	4 FT	4
	480508		5 FT	5
	480608		6 FT	6
	480708		7 FT	7
	480808		8 FT	8
9	480009	Bolt	M16 X 60	2
10	480010	Bolt	M16 X 110	1
11	480011	Hitch Pin		2
12	480412	Scarifier Shank	4 FT	4
	480512		5 FT	5
	480612		6 FT	6
	480712		7 FT	7
	480812		8 FT	8

REF #	PART #	DESCRIPTION	SPECIFICATION	QTY
13	480403	Carriage Bolt - M16 X 40	4 FT	4
	480503		5 FT	5
	480603		6 FT	6
	480703		7 FT	7
	480803		8 FT	8
14	480404	Lock Washer - 16	4 FT	4
	480504		5 FT	5
	480604		6 FT	6
	480704		7 FT	7
	480804		8 FT	8
15	480405	Nut - M16	4 FT	8
	480505		5 FT	10
	480605		6 FT	12
	480705		7 FT	14
	480805		8 FT	16
16	480006	Top Link		2
17	480007	Tie Strap		2