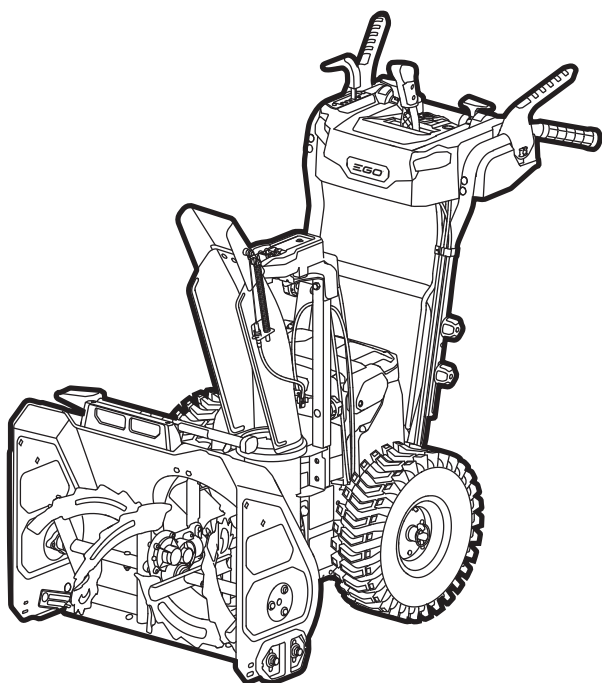


EGO™

POWER⁺ SNOW BLOWER



OPERATOR'S MANUAL

56-VOLT LITHIUM-ION CORDLESS SNOW BLOWER

MODEL NUMBER SNT2400/SNT2400-FC

Français p. 39

Español p. 79

⚠ WARNING: To reduce the risk of injury, the user must read and understand the Operator's Manual before using this product. Save these instructions for future reference.



TABLE OF CONTENTS

Safety Symbols	4
Safety Instructions.....	5-6
Safe Operation Practices for Walk-behind Snow Blower.....	6-9
Introduction	10
Specifications	10
Description	11-13
Assembly.....	14-15
Operation.....	16-27
Maintenance	28-33
Troubleshooting.....	34-35
Warranty	36-37

READ ALL INSTRUCTIONS!



**READ & UNDERSTAND
OPERATOR'S MANUAL**

⚠ WARNING: Some dust created by power sanding, sawing, grinding, drilling and other construction activities contains chemicals known to the state of California to cause cancer, birth defects or other reproductive harm. Some examples of these chemicals are:

- Lead from lead-based paints
- Crystalline silica from bricks and cement and other masonry products, and
- Arsenic and chromium from chemically-treated lumber.

Your risk from these exposures varies, depending on how often you do this type of work. To reduce your exposure to these chemicals: work in a well ventilated area, and work with approved safety equipment, such as those dust masks that are specially designed to filter out microscopic particles.

SAFETY SYMBOLS

The purpose of safety symbols is to attract your attention to possible dangers. The safety symbols and the explanations with them deserve your careful attention and understanding. The symbol warnings do not, by themselves, eliminate any danger. The instructions and warnings they give are no substitutes for proper accident prevention measures.

⚠ WARNING: Be sure to read and understand all safety instructions in this Operator's Manual, including all safety alert symbols such as "**DANGER**," "**WARNING**," and "**CAUTION**" before using this tool. Failure to follow all instructions listed below may result in electric shock, fire, and/or serious personal injury.

SYMBOL MEANING

⚠ SAFETY ALERT SYMBOL: Indicates **DANGER**, **WARNING**, or **CAUTION**. May be used in conjunction with other symbols or pictographs.




⚠ WARNING: The operation of any power tools can result in foreign objects being thrown into your eyes, which can result in severe eye damage. Before beginning power tool operation, always wear safety goggles or safety glasses with side shields and a full face shield when needed. We recommend a Wide Vision Safety Mask for use over eyeglasses or standard safety glasses with side shields. Always use eye protection which is marked to comply with ANSI Z87.1.

SAFETY INSTRUCTIONS

This page depicts and describes safety symbols that may appear on this product. Read, understand, and follow all instructions on the machine before attempting to assemble and operate.

	Safety Alert	Indicates a potential personal injury hazard.
	Eye Protection	Always wear safety goggles or safety glasses with side shields and a full face shield when operating this product.
	Read Operator's Manual	To reduce the risk of injury, user must read and understand operator's manual before using this product.
	DANGER — Keep Hands Away from the Impeller	Do not use hands to unclog the chute.
	Keep Feet Out of Impeller	Keep feet away from rotating impeller
	DANGER — Keep Hands and Feet Away	To reduce the risk of injury, keep hands and feet away from rotating parts. Do not operate unless discharge chute is in its proper place. If damaged, replace immediately.
	Recycle Symbols	This product uses Lithium-ion (Li-ion) batteries. Local, state, or federal laws may prohibit disposal of batteries in ordinary trash. Consult your local waste authority for information regarding available recycling and/or disposal options.
IPX4	Ingress Protection Degree	Protection from splashing water
V	Volt	Voltage

	Direct Current	Type or a characteristic of current
cm	centimeter	Length or size
in.	Inch	Length or size
Ft.	Feet	Length or size
kg	Kilogram	Weight
lb	Pound	Weight

⚠ WARNING: To ensure safety and reliability, all repairs should be performed by a qualified service technician.

SAFE OPERATION PRACTICES FOR WALK-BEHIND SNOW BLOWER

⚠ DANGER: This snow blower is capable of amputating hands and feet and throwing objects. Failure to observe the following safety instructions could result in serious injury.

FOR ALL SNOW BLOWERS

- Do not use on graveled surface unless the snow blower is adjusted for such a surface in accordance with the operator's manual.
- Keep Children Away – All visitors should be kept a safe distance from work area.
- Dress Properly – Do not wear loose clothing or jewelry. They can be caught in moving parts.
- Wear rubber boots when operating the snow blower.
- Keep hands away from moving parts.
- Keep guards in place and in working order.
- Don't Force Snow Blower – It will perform better and safer at the rate for which it was designed.
- Don't Overreach – Keep proper footing and balance at all times.

- If the snow blower strikes a foreign object follow these steps:
 - 1) Stop snow blower. Release the switch.
 - 2) Remove the battery pack(s).
 - 3) Inspect for damage.
 - 4) Repair any damage before restarting and operating the snow blower.
- Store Idle Snow Blowers Indoors-When not in use, snow blowers should be stored indoors in dry, locked-up place – out of reach of children.
- Maintain Snow Blowers with Care – Following instructions for lubricating and changing accessories.

TRAINING

- Read, understand and follow all instructions on the machine and in the manual(s) before operating this unit. Be thoroughly familiar with the controls and the proper use of the equipment. Know how to stop the unit and disengage the controls quickly.
- Never allow children to operate the equipment. Never allow adults to operate the equipment without proper instruction.
- Keep the area of operation clear of all persons, particularly small children.
- Exercise caution to avoid slipping or falling, especially when operating the snow blower in reverse.

PREPARATION

- Thoroughly inspect the area where the equipment is to be used and remove all doormats, sleds, boards, wires, and other foreign objects.
- Do not operate the equipment without wearing adequate winter garments. Avoid loose-fitting clothing that can get caught in moving parts. Wear footwear that will improve footing on slippery surfaces.
- Never attempt to make any adjustments while the motor is running (except when specifically recommended by manufacturer).
- Always wear safety glasses or eye shields during operation or while performing an adjustment or repair to protect eyes from foreign objects that may be thrown from the machine.

OPERATION

- Prevent unintentional starting. Ensure the switch is in the off-position before connecting to battery pack, picking up or carrying the appliance. Carrying the appliance with your finger on the switch or energizing appliance that have the switch on invites accidents.
- Do not put hands or feet near or under rotating parts. Keep clear of the discharger opening at all times.
- Exercise extreme caution when operating on or crossing gravel drives, walks, or roads. Stay alert for hidden hazards or traffic.
- After striking a foreign object, stop the motor, remove the battery pack(s), thoroughly inspect the snow blower for any damage, and repair the damage before restarting and operating the snow blower.
- If the unit should start to vibrate abnormally, stop the motor and check immediately for the cause. Vibration is generally a warning of trouble.
- Stop the motor whenever you leave the operating position, before unclogging the auger assembly housing or discharge chute, and when making any repairs, adjustments or inspections.
- When clearing, repairing or inspecting the snow blower, stop the motor and make certain the auger assembly and all moving parts have stopped. Remove the battery pack(s) to prevent someone from accidentally starting the motor.
- Exercise extreme caution when operating on slopes.
- Never operate the snow blower without proper guards and other safety protective devices in place and working.
- Never direct the discharge toward people or areas where property damage can occur. Keep children and others away.
- Do not overload the machine capacity by attempting to clear snow at too fast a rate.
- Disengage power to the auger assembly when snow blower is transported or not in use.
- Use only attachments and accessories approved by the manufacturer of the snow blower (such as scraper bar).
- Never operate the snow blower without good visibility or light. Always be sure of your footing, and keep a firm hold on the handles. Walk; never run.
- Do not expose a battery pack or tool to fire or excessive temperature. Exposure to fire or temperature above 212 °F (100°C) may cause explosion.

- Use only with the battery packs and chargers listed below:

BATTERY PACK	CHARGER
BA1400, BA1400-FC, BA2800, BA2800-FC, BA4200, BA4200-FC, BA1400T, BA1400T-FC, BA2240T, BA2240T-FC, BA2242T, BA2242T-FC, BA2800T, BA2800T-FC, BA4200T, BA4200T-FC, BA5600T, BA5600T-FC, BA6720T, BA6720T-FC	CH2100, CH2100-FC, CH3200, CH3200-FC, CH5500, CH5500-FC, CH2800D, CH2800D-FC CH7000, CH7000-FC

NOTICE: For best performance, recommend for use with 2pcs 5.0Ah or higher Ah batteries.

CLEARING A CLOGGING CHUTE

Hand contact with the rotating auger assembly inside the discharge chute is the most common cause of injury associated with snow blowers. Never use your hand to clean out the discharge chute.

To clear the chute:

- **SHUT THE MOTOR OFF!**
- Remove the battery pack(s) from the snow blower.
- Wait 10 seconds to be sure the auger has stopping rotating.
- Always use the chute clean tool which is attached to the machine as an accessory, do not use your hand

MAINTENANCE AND STORAGE

- Check all bolts or fasteners at frequent intervals for proper tightness to be sure the equipment is in safe working condition.
- Always refer to operator's manual for important details if the snow blower is to be stored for an extended period.
- Maintain or replace safety and instruction labels, as necessary.
- Run the machine a few minutes after blowing snow to prevent freeze-up of the auger assembly.

SAVE THESE INSTRUCTIONS. Refer to them frequently and use them to instruct others who may use this tool. If you lend this tool to someone else, also lend these instructions to them to prevent misuse of the product and possibly injury.

INTRODUCTION

Congratulations on your selection of a new generation of 56V Lithium-Ion powered snow blower. It has been designed, engineered and manufactured to give you the best possible dependability and performance.

Should you experience any problem you cannot easily remedy, please contact EGO customer service center 1-855-EGO-5656.


This manual contains important information on to the safe assembly, operation and maintenance of your snow blower. Read it carefully before using the tool. Keep this manual handy so you can refer to it at any time.

SERIAL NUMBER _____ DATE OF PURCHASE _____

THE MODEL AND SERIAL NUMBERS WILL BE FOUND ON A LABEL ATTACHED ON AUGER ASSEMBLY HOUSING.

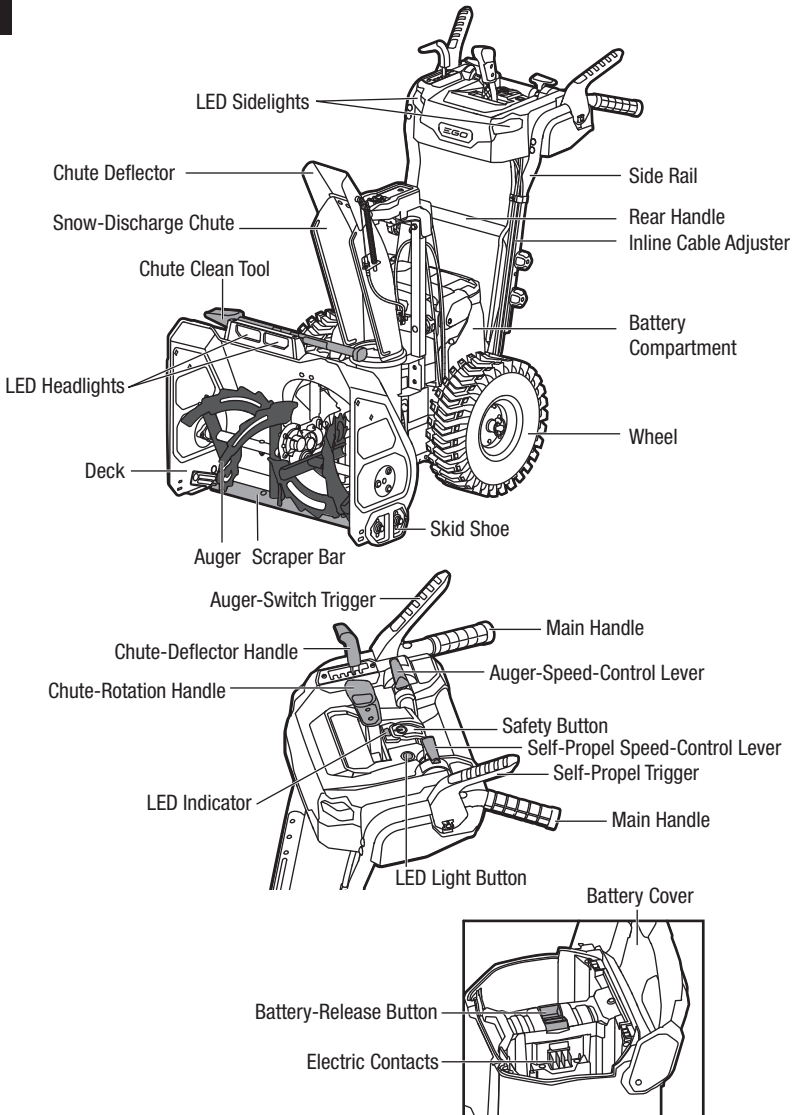
YOU SHOULD RECORD BOTH SERIAL NUMBER AND DATE OF PURCHASE AND KEEP IN A SAFE PLACE FOR FUTURE REFERENCE. SAVE YOUR SALES RECEIPT.

SPECIFICATIONS

Voltage	56V 
Clearing Width	24 in
Intake Height	20 in
Throwing Distance	Up to 50 ft.
Wheel Size	15 in
Operating Temperature	-4°F-50°F(-20°C-10°C)
Storage Temperature	-4°F-158°F(-20°C-70°C)
Snow Blower Weight (Without battery pack)	143.3 lbs (65 kg)

DESCRIPTION

1



⚠ WARNING: The safe use of this product requires an understanding of the information on the tool and in this operator's manual, as well as knowledge of the project you are attempting. Before use of this product, familiarize yourself with all operating features and safety rules.

Safety Button

The safety button must be pressed down before the motor can be started.

⚠ WARNING: The safety button is safety device. Never attempt to bypass its operation.

Auger-Switch Trigger

Engages and disengages the motor. It can be working after pressing the safety button.

Auger-Speed-Control Lever

Adjusts the auger speed in order to adjust the throwing distance.

Self-Propel Trigger

Turns the self-propel function ON and OFF.

Self-Propel Speed-Control Lever

Increases or decrease the self-propel speed.

Chute-Rotation Handle

Rotates the chute so that the user may direct the discharged snow as desired. The handle allows the chute to rotate from left 100° to right 100°.

Chute-Deflector Handle

Adjusts the angle of the chute deflector and the height of the discharge stream.

LED Headlights/Sidelights

This feature provides extra light for increased visibility.

LED Light Button

Turns on/off the LED headlights and sidelights.

LED Indicator

Indicates the status of the snow blower and battery pack.

Scraper Bar

Removes the last bit of snow from the surface you are clearing.

Skid Shoe

Increases the ability to maneuver the snowblower on the snow and adjusts the distance between snow scraper and ground.

Battery-Release Button

Press to release the battery quickly.

Inline Cable Adjuster

Loosen or Tighten the Snow-Discharge Chute

ASSEMBLY

⚠ WARNING: To prevent accidental starting that could cause serious personal injury, always remove the battery pack(s) from the tool when assembling parts.

⚠ WARNING: If any parts are damaged or missing, do not operate this product until the parts are replaced. Use of this product with damaged or missing parts could result in serious personal injury.

⚠ WARNING: Do not attempt to modify this tool or create accessories not recommended for use with this product. Any such alteration or modification is misuse and could result in a hazardous condition leading to serious injury.

UNPACKING

- Use two people to grasp the rear handle and the front part of the product at the same time and carefully lift the tool up and out of the carton. Remove any other accessories from the carton. Make sure that all items listed in the packing list are included.



⚠ CAUTION: Heavy object. Team lift required. At least two persons are required to be lift this snow blower out of the package.

⚠ WARNING: Do not use this product if any parts on the packing list are already assembled to your product when you unpack it. Parts on this list are not assembled to the product by the manufacturer and require customer installation. Use of a product that may have been improperly assembled could result in serious personal injury.

- Inspect the product carefully to make sure that no breakage or damage occurred during shipping.
- Do not discard the packing material until you have carefully inspected and satisfactorily operated the tool.
- If any parts are damaged or missing, please return the product to the place of purchase.

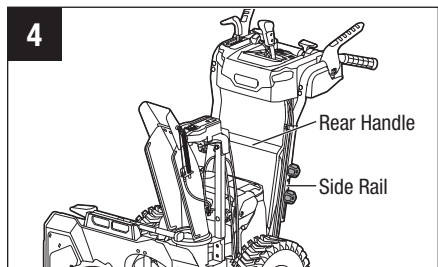
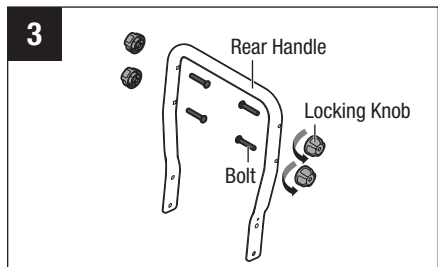
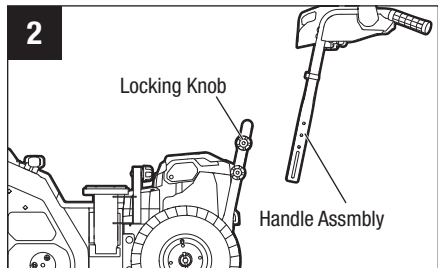
LIST OF CONTENTS

PART NAME	QUANTITY
Snow Blower	1
Snow-Discharge Chute Assembly	1
Handle Assembly	1
Operator's Manual	1
Chute Clean Tool	1
Shear Pin	2

TO INSTALL THE HANDLE ASSEMBLY

NOTICE: The handle assembly requires assembly before operating the snow blower (Fig.2).

1. Loosen the four locking knobs and remove the four bolts from the rear handle (Fig.3).
2. Lift the handle assembly, align the holes in the side rails with the holes in the rear handle, select the preferred handle height, then secure the handle assembly with the bolts and locking knobs (Fig.4). Please see section “**HANDLE HEIGHT ADJUSTMENT**” for detailed adjustment instructions.



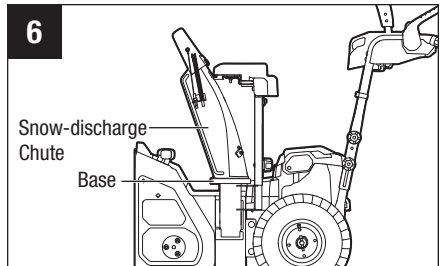
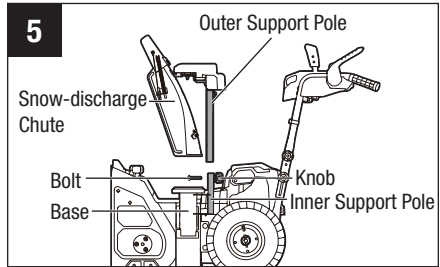
TO INSTALL THE SNOW-DISCHARGE CHUTE ASSEMBLY

⚠ WARNING: Never operate the snow blower without the complete discharge chute in place.

1. Loosen the knob on the inner support pole and remove the bolt (Fig.5). Save the knob and bolt for reassembly.
2. Lift the snow-discharge chute assembly, align the outer support pole with the inner support pole, and then slide the outer support pole into place (Fig. 5). Make sure that the snow-discharge chute is correctly seated on the base (Fig.6).

3. Secure the snow discharge chute assembly with the reserved knob and bolt.

⚠ WARNING: Use the chute rotation handle to make sure that the chute rotates properly and that the discharge opening never crosses the operator controls.



OPERATION

⚠ WARNING: Do not allow familiarity with this product to make you careless. Remember that a careless fraction of a second is sufficient to inflict serious injury.

⚠ WARNING: Always wear eye protection with side shields marked to comply with ANSI Z87.1. Failure to do so could result in objects being thrown into your eyes and other possible serious injuries.

⚠ WARNING: Do not use any attachments or accessories not recommended by the manufacturer of this product. The use of attachments or accessories not recommended can result in serious personal injury.

APPLICATION

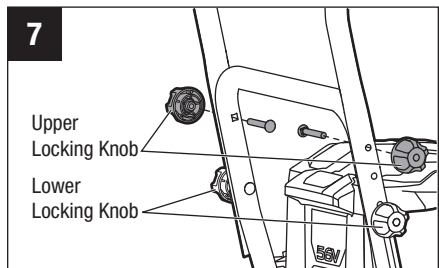
You may use this product for purpose listed below:

Removing snow from areas such as driveways and sidewalks.

HANDLE-HEIGHT ADJUSTMENT

The handle assembly can be set to three different heights. Choose a comfortable operating position according to your height.

1. Loosen the two upper locking knobs and pull out the two bolts (Fig.7). Save them for reassembly.
2. Loosen the two lower locking knobs. It is not necessary to remove the two lower locking knobs and bolts from the side rails during handle height adjustment.
3. Raise or lower the handle and select the appropriate height relative to the positions of the holes in the rear handle.
4. Once arriving at the appropriate holes, tighten the handle with the reserved knobs and bolts; then tighten the two lower locking knobs to secure the rear handle.



The illustration shows the upper operating position (Fig.8), the middle operating position (Fig.9) and the lower operating position (Fig.10).

TO ATTACH/DETACH THE BATTERY PACK

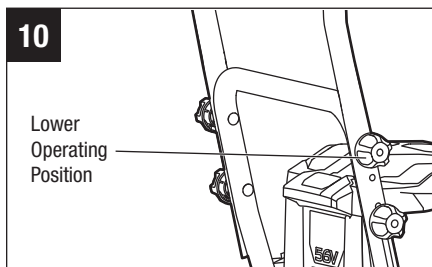
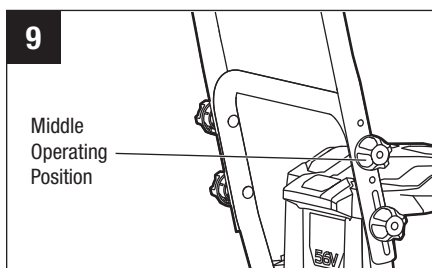
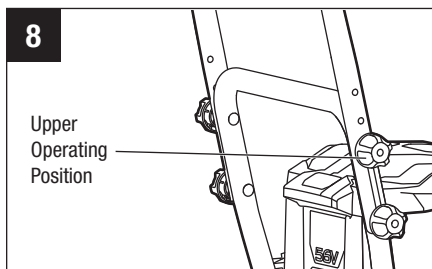
CHARGE BEFORE FIRST USE.

NOTE: For best performance, we recommend use with two 5.0 Ah EGO 56V Arc-Lithium batteries or with two EGO 56V Arc-Lithium batteries of greater capacity.

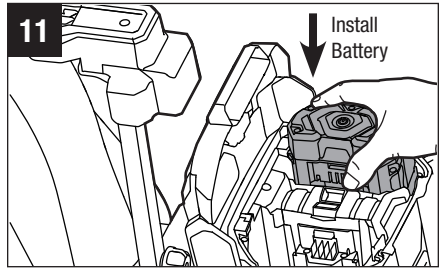
When not in use, 56V battery packs should be stored in an enclosed area where the temperature will not drop below -4°F (-20°C). Optimal charging temperatures are between 41°F (5°C) and 104°F (40°C).

⚠ WARNING: If any parts are broken or missing, do not attempt to attach the battery packs to the snow blower or operate the snow blower until the broken or missing parts are replaced. Failure to do so could result in serious injury.

1. The battery cover is hinged. Raise the battery cover by lifting the front of the cover.
2. The snow blower is equipped with two battery compartments, which accommodate two battery packs at the same time.



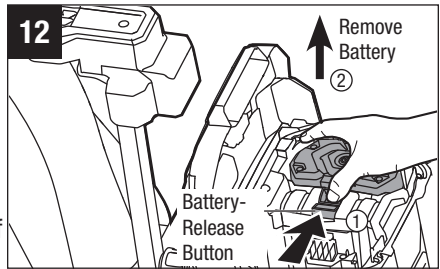
3. Align the grooves in the battery pack with the raised ribs in one of the battery compartments, and then insert the battery pack into the compartment (Fig.11).



4. Push the battery pack until you hear a “click”. The battery-release button will spring up when the battery pack is securely attached.

5. Attach the other battery pack into the other battery compartment in the same way.

6. To detach the battery pack, depress the battery-release button to release the battery pack, and then lift it out of the compartment (Fig. 12).



7. Close the battery cover.

NOTICE: Make sure that the latch on the snow blower snaps into place and that the battery pack(s) are secured to the unit before starting operation.

STARTING/STOPPING THE SNOW BLOWER

⚠ CAUTION: Do not attempt to override the operation of the safety button. Do not rapidly turn the snow blower off and on.

⚠ WARNING: The operation of a snow blower can result in foreign objects being thrown into your or others’ eyes, which can damage eyes severely. Always wear safety glasses while operating the snow blower or while performing any adjustments or repairs on the snow blower.

⚠ WARNING: Ensure that other people and pets remain at least 100’ (30m) away from the snow blower when it is in use.

⚠ WARNING: The auger will continue to rotate for a few seconds after the snow blower is turned off. Allow the auger to stop rotating before starting it again.

To Start the Snow Blower

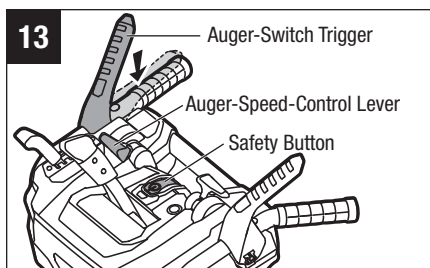
1. Ensure that the handle assembly is securely adjusted to appropriate height, the side-discharge chute assembly is mounted properly, and the chute and chute deflector are adjusted to an appropriate position.
2. Attach the battery pack(s) to the snow blower and close the battery cover.

NOTICE: Make sure that the latch on the snow blower snaps into place and that the battery pack(s) are secured to the snow blower before operation.

3. Press the safety button and hold for 1 second, and the LED indicator will blink green. Press the auger-switch trigger to turn on the snow blower while the LED indicator blinks (Fig.13).

NOTICE: The snow blower can be turned on by the auger-switch-trigger only when the LED indicator blinks.

NOTICE: The snow blower may not properly start if its battery temperature is -4°F (-20°C) or less. If the snow blower doesn't start, remove the battery from the snow blower and allow it to warm indoors for 10 minutes or longer. Reinstall the battery and try again.



To Stop the Snow Blower

1. Fully release the auger-switch trigger.
2. The electric brake in the Automatic Braking Mechanism will stop the auger rotation within 3 seconds of the auger-switch release.

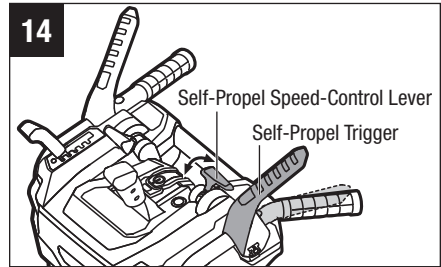
Variable-Auger-Speed System (Fig. 13)

The speed of the auger can be adjusted to control the throwing distance.

1. To increase the speed, push the auger-speed-control lever forwards.
2. To decrease the speed, pull the auger-speed-control lever backwards.

Variable-Speed Self-Propel System (Fig.14)

This snow blower is equipped with variable-speed self-propel capability. This system is independent of the auger On-Off switch; it is not dependent on auger rotation. For example, when you have completed cleaning of the driveway, you can use the self-propel function to propel the snow blower to your storage location without auger rotation.



To operate the self-propel system without auger rotation, press the self-propel trigger to the handle.

To turn the self-propel function off, release the self-propel trigger.

The system has variable speed. To increase the speed, move the self-propel speed-control lever forwards. To decrease the speed, move the self-propel speed control lever backwards.

To move the snow blower backward, first stop the self-propel function; pull the self-propel speed-control lever all the way toward the back of the snow blower, then press and hold the self-propel trigger.

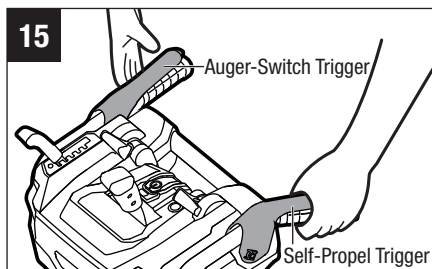
NOTICE: The speed is fixed when operating the snow blower in reverse with self-propel; the self-propel speed-control lever cannot change the speed in reverse.

NOTICE: The snow blower cannot be switched to move backward while the self-propel function is moving it forward.

AUGER-SWITCH TRIGGER AND SELF-PROPEL TRIGGER LINKAGE (Fig. 15)

When you activate the self-propel trigger and the auger-switch trigger at the same time, the auger-switch trigger will be temporarily locked. Release the auger-switch trigger (right hand) and the auger-switch trigger will remain engaged. This feature allows you to adjust the auger speed, self-propelling speed, and discharging direction of the snow while the auger rotates.

To stop the auger, release the self-propel trigger and both the auger and the self-propel function will stop.



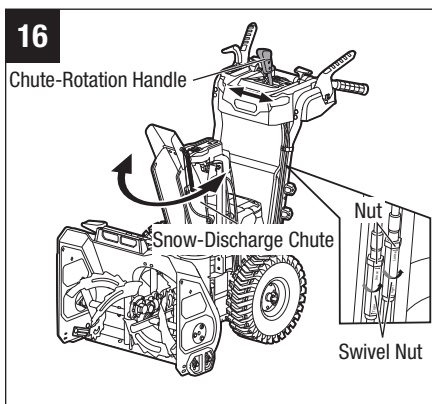
CHUTE AND DEFLECTOR ADJUSTMENT

Loose/Tighten The Snow-Discharge Chute

If you encounter heavy snow, wet snow, ice snow, you can adjust the chute tightly according to your needs.

The inline cable adjuster can change the move force of the chute-rotation handle as you wish, you can reduce the force by rotating the inline cable adjuster counterclockwise slightly (Fig. 16).

Conversely, the force will add by turning it in the opposite direction. Be noted that the snow discharge chute will drift left/right during use if it is too loose.



Adjust The Direction of Snow-Discharge Chute.

The chute can be adjusted to change both the direction and the distance of the discharged snow to assist you in moving snow away from one area and placing it in another.

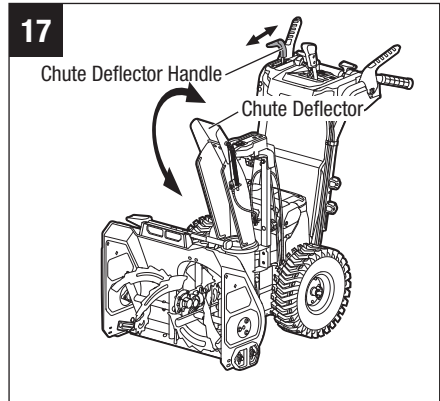
The **direction** of snow removal can be adjusted up to left 100° and right 100° (Fig.16).

1. Pull the chute-rotation handle to the left to rotate the chute to the left.
2. Pull the chute-rotation handle to the right to rotate the chute to the right.

Adjust The Chute Deflector

The **throwing distance** of the snow blower is adjusted by moving the chute deflector up or down.

To increase or decrease the distance that the snow is thrown, pull the chute deflector handle backward or forward to raise or lower the chute deflector (Fig. 17). Once arriving at the desired chute deflector position, engage the chute deflector handle back into the locking slot.



LED SIDELIGHTS AND HEADLIGHTS OPERATION (Fig. 18)

The LED sidelights are located on both left and right of the handle assembly. The LED headlights are located on the front of the deck.

Press the LED light button once to turn on both the sidelights and headlights.

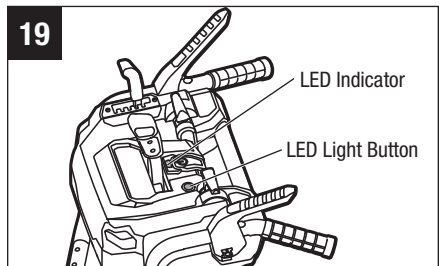
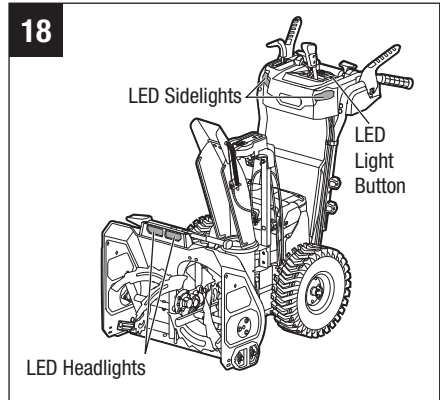
Press the LED light button twice to turn off the sidelights.

Press the LED light button three times to turn off all the lights.

NOTICE: All the LED lights will turn off automatically if the snow blower is not being operated within 5 minutes.

LED INDICATOR ON THE SNOW BLOWER (Fig. 19)

The snow blower is equipped with a LED indicator to indicate the charge level of the battery pack(s) and the working status of the snow blower.



LED INDICATOR	MEANING	ACTION
Shinning Green	Snow blower is working properly; each battery has at least 15% of its charge.	n/a.
Flashing Red	The battery is nearly depleted.	Stop the snow blower and charge the battery pack(s).
Flashing Green and Red alternately	Error	Contact EGO customer service center
Shinning Orange	The snow blower stops due to overheating.	Remove the batteries from the snow blower, move them to the shade and cool them at least 15 minutes.
Flashing Orange	The snow blower is overloaded.	First remove the battery pack, then check and clean if snow has collected beneath the deck. Slow down your pace when snow moving. If this does not work, please contact EGO customer service center.
Dark & LED on battery flashing	Battery overheat (See section “ BATTERY HIGH-TEMPERATURE PROTECTION ” in this manual).	Remove the battery from the snow blower and wait until the battery pack cools down to approximately 152°F (67°C), then reinstall the battery and restart the snow blower.

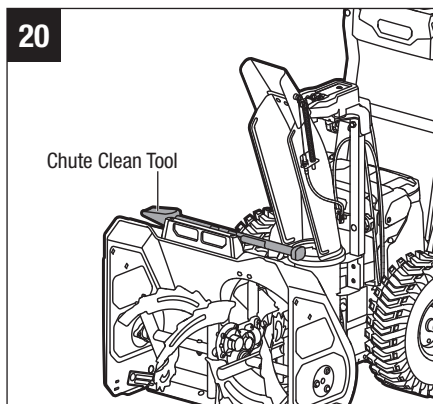
SNOW BLOWER OVERLOAD PROTECTION

To prevent overload conditions, do not try to remove too much snow at one time. Slow down your pace or decrease the width of the snow-clearing swath. Your snow blower has built-in overload-sensing elements. When the snow blower is overloaded, the motor will decrease the speed automatically and you will hear the volume of the motor decrease. Slow down your pace or narrow the clearing width, after which the motor speed will automatically resume its normal setting. If this remedy does not solve the overload situation, the sensor will shut off the motor automatically and the LED indicator on the snow blower will flash orange. Remove the battery pack(s) from the snow blower, wait 10 seconds, and check to see if there is snow or ice stuck in the auger and deck. If necessary, follow instructions for “**CLEARING A CLOGGED CHUTE**”. Reinstall the batteries and restart the snow blower.

CLEARING A CLOGGED CHUTE

⚠ WARNING: Hands coming in contact with the rotating auger inside the chute is the most common cause of injury associated with snow blowers. Never use your hand to clean out the chute.

⚠ WARNING: Never reach into the discharge chute or place any body part in front of the snow blower when the unit is operating or when the battery pack(s) are installed. Always ensure all moving parts have stopped and the battery pack(s) have been removed before clearing any obstructions. Failure to follow these instructions can result in serious personal injury.



To Clear the Chute:

1. Shut the motor off!
2. Remove the battery pack(s) from the snow blower.
3. Wait 10 seconds to be sure the auger has stopped rotating.
4. Always use the chute clean tool which is attached to the machine as an accessory. **DO NOT USE YOUR HAND** (Fig.20).

BATTERY HIGH-TEMPERATURE PROTECTION

The battery pack will generate heat during operation. If the battery temperature exceeds 158°F (70°C) during operation, the protection circuit will immediately turn off the snow blower to protect the battery pack from heat damage. The snow blower LED indicator will turn off and the LED on the battery will flash orange or shine red.

NOTICE: The LED on following battery packs will flash orange lights when overheated: BA1400, BA1400-FC, BA2800, BA2800-FC, BA4200 and BA4200-FC; the LEDs on following battery packs will shine red lights when overheated: BA1400T, BA1400T-FC, BA2800T, BA2800T-FC, BA4200T, BA4200T-FC, BA5600T and BA5600T-FC.

If the snow blower is over-heating itself, the LED indicator on the snow blower will flash

orange and the battery indicator will be OFF.

When batteries are overheating, release all the triggers, wait until the overheated battery pack(s) cool down or change the new battery pack(s), then restart the snow blower. To prevent shut off due to battery high-temperature protection, don't try to use a single battery to power the snow blower when the depth of the accumulated snow exceeds 8 inches or when the snow is very wet or icy. We recommend the use of two batteries working simultaneously. This is helpful in attaining the peak power of the snow blower. After high-temperature protection has occurred, slow down your pace and narrow width of the clearing swath to reduce the load on the battery.

OPERATING TIPS

⚠ DANGER: Never use a snow blower on frozen lakes, rivers, or similar surfaces. Death or serious injury could occur if the ice breaks.

⚠ DANGER: Never use the snow blower on a rooftop or other unstable surface, which can result in death or serious personal injury.

⚠ WARNING: Do not use snow blower on ice, which can cause the operator to slip and fall, resulting in possibly serious personal injury.

⚠ WARNING: Do not wear loose clothing, scarves, or jewelry. They can be caught in moving parts and cause death or serious personal injury.

⚠ WARNING: Keep all snow discharge pointed away from all electrical devices to reduce the risk of electrocution or electric shock.

⚠ WARNING: Never point the snow blower or discharge chute in the direction of people or pets. Thrown snow or other objects can cause serious personal injuries.

⚠ WARNING: Make sure that the area to be cleared is free of stones, sticks, wires, gravel, and other objects that could be accidentally thrown by the snow blower in any direction and cause serious personal injury to the operator and others.

- If the unit comes in contact with any type of obstruction or debris during use, stop the snow blower, remove the battery pack(s), remove the obstruction, and inspect the unit carefully for damage before proceeding.

⚠ WARNING: Never reach into the discharge chute or place any body part in front of

the snow blower when the unit is operating or when the battery pack(s) are installed. Always ensure all moving parts have stopped and the battery pack(s) have been removed before clearing any obstructions. Failure to follow these instructions can result in serious personal injury.

- Take notice of the direction of the wind before beginning. When possible, discharge snow in the same direction as the wind to prevent snow from being thrown back into your face.
- Some parts of the snow blower can freeze under extreme weather conditions. Do not attempt to operate the unit with frozen parts.
- When finished, allow the motor to run for an additional few minutes to prevent moving parts from freezing, then turn the chute rotation handle back and forth several times to free it from any ice buildup. Make sure to clean off any snow and ice from the base of the chute.
- In snowy and cold conditions, some controls and moving parts may freeze. Do not use excessive force when trying to operate frozen controls. If you have difficulty operating any control or part, start the machine as “**STARTING/STOPPING THE SNOW BLOWER**” section shown and let it run for a few minutes.

MAINTENANCE

⚠ WARNING: To avoid serious personal injury, always remove the battery pack(s) from the snow blower before cleaning or performing any maintenance.

⚠ WARNING: When servicing, use only identical replacement parts. Use of any other parts may create a hazard or cause product damage. To ensure safety and reliability, all repairs should be performed by a qualified service technician.

NOTICE: Periodically inspect the entire product for damaged, missing, or loose parts such as screws, nuts, bolts, caps, etc. Tighten securely all fasteners and caps and do not operate this product until all missing or damaged parts are replaced.

GENERAL MAINTENANCE

Avoid using solvents when cleaning plastic parts. Most plastics are susceptible to damage from various types of commercial solvents and may be damaged by their use. Use clean cloths to remove dirt, dust, oil, grease, etc.

⚠ WARNING: Do not at any time let brake fluids, gasoline, petroleum-based products, penetrating oils, etc. come in contact with plastic parts. Chemicals can damage, weaken, or destroy plastic which can result in serious personal injury.

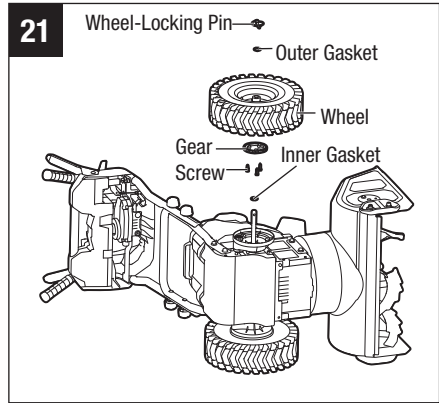
LUBRICATING THE MACHINE

All of the bearings in this product are lubricated with a sufficient amount of high grade lubricant for the life of the unit under normal operating conditions. Therefore, no further bearing lubrication is required.

MOUNTING AND DETACHING WHEEL

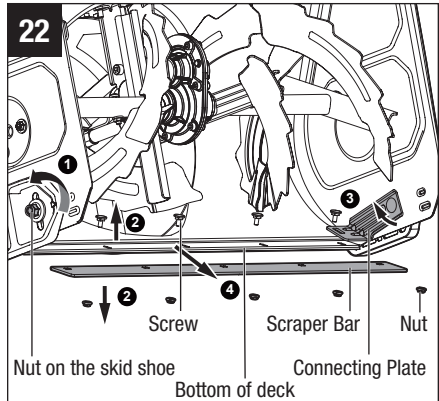
1. Remove the battery packs.
2. Lay the snow blower on its side, pull out the wheel-locking pin to remove the outer gasket and the wheel. Save the inner gasket on the wheel shaft.

3. Loosen and remove the 3 screws to separate the gear from the wheel. Save the gear for reassembly (Fig.21).
4. Replace the wheel with a new one.
5. Reassemble the gear, new wheel and outer gasket in reverse order. Lock them with the wheel-locking pin.



MOUNTING AND DETACHING THE SCRAPER BAR (Fig.22)

1. Remove the batteries from the snow blower.
2. Lay the snow blower on its side or any other convenient position for scraper bar service.
3. Loosen the outer nut on the skid shoe just enough to allow the inner connecting plate to freely rotate around the corresponding screw inside (step 1 shown).
4. Loosen the connecting plate on the other side in the same way.

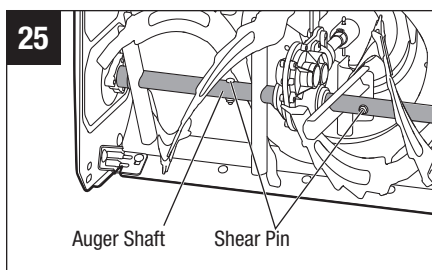
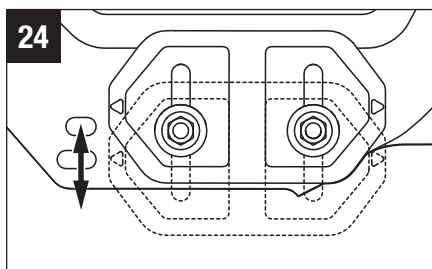
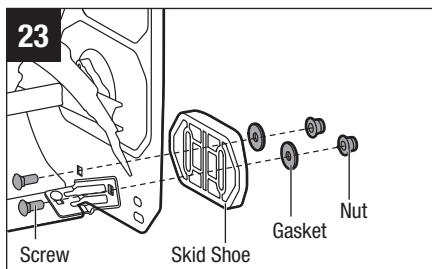


5. Loosen and remove the five nuts on the bottom of the deck, as well as the five screws inside (step 2 shown) and rotate the connecting plate towards the auger chamber direction (step 3 shown) to thoroughly remove the scraper bar away from the deck (step 4 shown).
6. Replace the worn scraper bar with a new one.
7. To reassemble, first insert the new scraper, bar between the connecting plate and the bottom of the deck. Rotate the connecting plate until the holes in the connecting plate, the bottom of the deck, and the scraper bar are aligned. With the five holes aligned, insert the five screws into the holes and secure them with the five nuts on the back.
8. Securely tighten the outer nut on the skid shoe.

REPLACING AND ADJUSTING THE SKID SHOES

When encountering uneven or gravel surfaces, the height of the skid shoes need to be adjusted to increase the ability to maneuver the snowblower on the snow.

1. Remove the batteries.
2. Loosen and remove the nuts, gaskets, and the skid shoe from the screws (Fig.23).
3. Replace the skid shoe with a new one, if necessary.
4. The height of the skid shoes can be adjusted according to the actual snow conditions without removing the nuts. Just loosen the nuts, adjust the skid-shoe position, and then retighten (Fig.24).

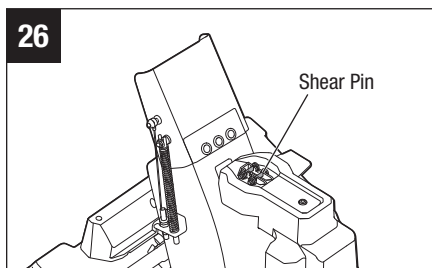


REPLACING THE SHEAR PIN

The shear pins are located in the auger shaft. They aid in absorbing the instant-stall torque when the auger strikes obstacles during working and protect the gearbox and motor from damage.

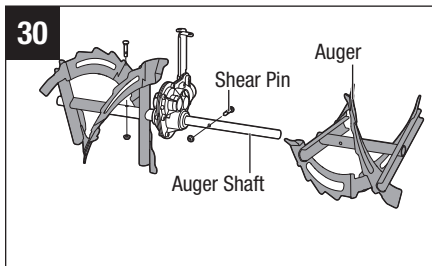
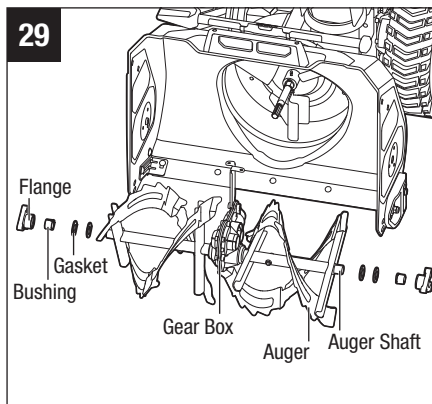
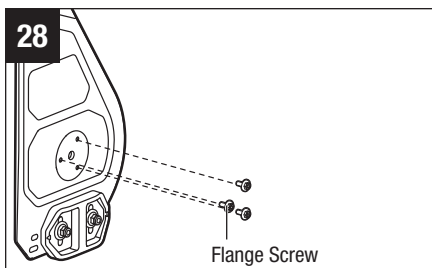
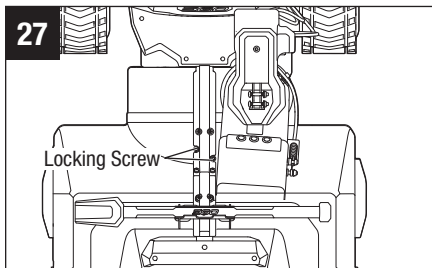
To replace the shear pins, remove the batteries, remove the broken shear pin from the auger shaft and replace it with new.

NOTICE: Two additional shear pins are stored onto the snow-discharge chute assembly, replace with the new one if the original one is broken (Fig.26).



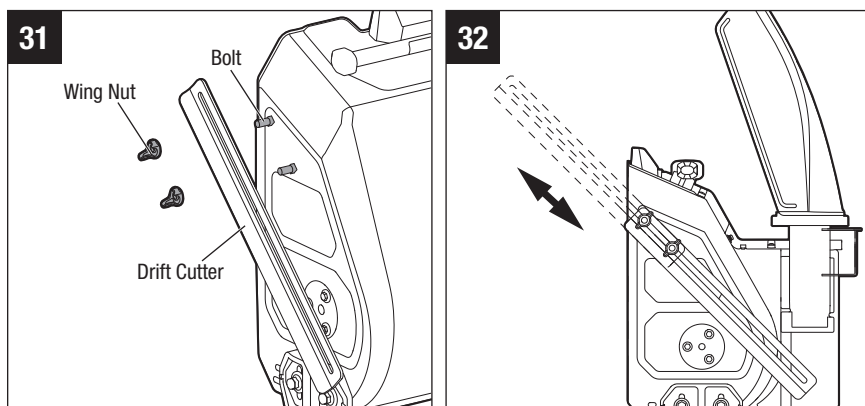
REPLACING THE AUGER

1. Remove the batteries.
2. Remove the two locking screws on the top of the deck (Fig.27).
3. Remove the three flange screws on both left and right of the deck (Fig.28).
4. Remove the auger, together with the gearbox as a whole set from the deck. Then remove the flange, bushing and gasket from the auger shaft (Fig.29).
5. Remove the left and right shear pin and separate the augers from the auger shaft (Fig.30).
6. Replace the worn auger and reassemble them in reverse order.



MOUNTING AND DETACHING DRIFT CUTTERS (AVAILABLE AND SOLD SEPARATELY)

1. Remove the batteries.
2. Insert the two bolts into the deck and mount the drift cutter and wing nuts onto the bolts. Pre-tighten the wing nuts and keep the drift cutter a little loose for adjustment (Fig. 31).
3. Move the drift cutters to the desired position (Fig. 32).
4. Tighten the wing nuts to secure the drift cutters.



STORING THE SNOW BLOWER

⚠ CAUTION: Ensure that all melted snow that may drip from the snow blower is properly wiped up to prevent a slip and fall hazard.

- Remove the battery pack(s) and store in a secure location out of the reach of children.

NOTE: When not in use, a 56V battery should be stored in an enclosed area where the temperature will not drop below -4°F (-20°C). Optimal charging temperatures are 41°F - 104°F (5°C - 40°C).

Before storage, wipe any moisture, dirt, or debris from the battery area.

- Wipe the snow blower with a clean dry cloth.
- Check all nuts, bolts, knobs, screws, etc., for tightness.
- Inspect moving parts for damage, breakage, and wear. Have repairs made on any damaged or missing parts.
- Store the snow blower in a clean, dry, enclosed place out of the reach of children.
- Do not store near corrosive materials such as fertilizer or rock salt.

TROUBLESHOOTING

⚠ WARNING: Always remove the battery pack(s) when servicing or transporting the snow blower. Always protect your hands by wearing gloves when performing any maintenance on the snow blower auger or scraper.

PROBLEM	CAUSE	SOLUTION
Snow blower is not starting.	<ul style="list-style-type: none"> ■ Battery charge is low. ■ The auger-switch trigger is not depressed at the moment of the LED indicator flashing green. ■ The auger is frozen by snow or ice. ■ The battery is overteated. The LED indicator on the battery flashes orange or shines red (see the section “BATTERY HIGH-TEMPERATURE PROTECTION” in this manual). 	<ul style="list-style-type: none"> ■ Charge the battery. ■ Press the auger switch trigger when the LED indicator blinks. If the LED indicator stops blinking, the snow blower will not be response to the pressing of auger-switch trigger. ■ Remove the battery pack(s) firstly, use the supplied chute clean tool to clear the snow or ice that obstructs on the auger. Restart the snow blower. ■ Remove the overheated battery from the snow blower and wait until the battery pack cools down to approximately 152°F (67°C), then reinstall the battery and restart the snow blower.
The motor is on but the auger does not turn on.	<ul style="list-style-type: none"> ■ The shear pin is broken. 	<ul style="list-style-type: none"> ■ Replace the shear pin following the section “REPLACING THE SHEAR PIN” in this manual.
The LED light button is insensitive to the first pressing.	<ul style="list-style-type: none"> ■ The internal self-checking process causes a slight delay in the first keystroke response. 	<ul style="list-style-type: none"> ■ Press the LED light button and hold for 1 second.
The LED indicator on the battery keeps on after the snow blower auger stops working or self-propel system turns off.	<ul style="list-style-type: none"> ■ The electric circuit is in standby for next restart. The LED will shut off automatically if the snow blower is not operated in 5 to 10 mintues. 	<ul style="list-style-type: none"> ■ Just leave it or remove the batteries from the battery compartment.

ACCESSORIES

⚠ WARNING: The following parts are subjected to be worn out from normal use. Use only identical replacement parts listed below. Use of parts that do not meet the original equipment specifications may lead to improper performance and compromised safety.

PART NAME	MODEL NUMBER
Shear Pin	ASP2400
Shear Pin Set	ASP2400D
Snow Blower Auger(left)	ASG2400L
Snow Blower Auger(right)	ASG2400R
Snow Blower Wheel(left)	AW2400L
Snow Blower Wheel(right)	AW2400R
Skid Shoes(pair)	AKS2400D
Chute Clean Tool	ACT2400
Snow Blower Drift Cutters	ADC2400



WARRANTY

EGO WARRANTY POLICY

5-year limited warranty on EGO POWER+ outdoor power equipment and portable power for personal, household use.

3-year limited warranty on EGO POWER+ System battery packs and chargers for personal, household use. An additional 2-year extended warranty applies for the 10.0Ah/12.0Ah battery whether sold separately (Model# BA5600T/BA6720T) or included with any tool, if it is registered within 90 days of purchase. 5-year limited warranty on CHV1600 charger, designed for use with Zero Turn Riding Mower for personal, household use.

2 year/1year limited warranty on EGO outdoor power equipment, portable power, battery packs, and chargers for professional and commercial use.

The detailed warranty periods by products can be found online at <http://egopowerplus.com/pages/warranty-policy>.

Please contact EGO Customer Service Toll-Free at 1-855-EGO-5656 any time you have questions or warranty claims.

LIMITED SERVICE WARRANTY

EGO products are warranted against defects in material or workmanship from the date of original retail purchase for the applicable warranty period. Defective product will receive free repair.

- a) This warranty applies only to the original purchaser from an authorized EGO retailer and may not be transferred. Authorized EGO retailers are identified online at <http://egopowerplus.com/pages/warranty-policy>.
- b) The warranty period for reconditioned or factory certified products used for residential purpose is 1 year, for industrial, professional or commercial purpose is 90 days.
- c) The warranty period for routine maintenance parts, such as, but not limited to, blades, trimmer heads, chain bars, saw chains, belts, scraper bars, blower nozzles, and all other EGO accessories is 90 days for residential purpose, 30 days for industrial, professional or commercial purpose. These parts are covered for 90/30 days from manufacture defects in normal working conditions.
- d) This warranty is void if the product has been used for rental purpose.
- e) This warranty does not cover the damage resulting from modification, alteration

or unauthorized repair.

- f) This warranty only covers defects arising under normal usage and does not cover any malfunction, failure or defect resulting from misuse, abuse (including overloading of the product beyond capacity and immersion in water or other liquid), accidents, neglect or lack of proper installation, and improper maintenance or storage.
- g) This warranty does not cover normal deterioration of the exterior finish, including but not limited to scratches, dents, paint chips, or to any corrosion or discoloring by heat, abrasive and chemical cleaners.

HOW TO OBTAIN SERVICE

For warranty service, please contact EGO customer service toll-free at **1-855-EGO-5656**. When requesting warranty service, you must present the original dated sales receipt. An authorized service center will be selected to repair the product according to the stated warranty terms. When bringing your product to the authorized service center, there may be a small deposit that will be required when dropping off your tool. This deposit is refundable when the repair service is deemed to be covered under warranty.

ADDITIONAL LIMITATIONS

To the extent permitted by applicable law, all implied warranties, including warranties of MERCHANTABILITY or FITNESS FOR A PARTICULAR PURPOSE, are disclaimed. Any implied warranties, including warranties of merchantability or fitness for a particular purpose, that cannot be disclaimed under state law are limited to the applicable warranty period defined at the beginning of this article.

Chervon North America is not responsible for direct, indirect, incidental or consequential damages.

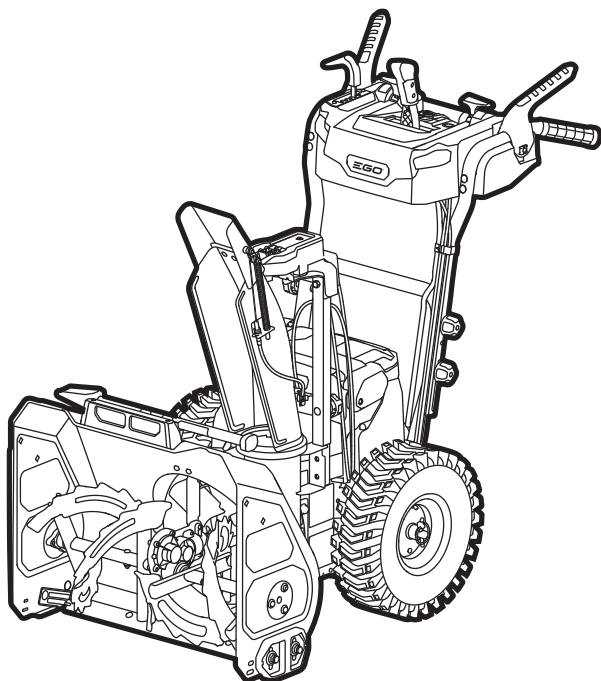
Some states do not allow limitations on how long an implied warranty lasts and/or do not allow the exclusion or limitation of incidental or consequential damages, so the above limitations may not apply to you.

This warranty gives you specific legal rights, and you may also have other rights which vary from state to state.

For customer service contact us toll-free at: **1-855-EGO-5656 or EGOPOWERPLUS.COM**. EGO Customer Service, 769 SEWARD AVE NW / Suite 102 Grand Rapids, MI 49504

EGO™

POWER⁺ SNOW BLOWER



GUIDE D'UTILISATION

SOUFFLEUSE À NEIGE SANS FIL À PILE AU LITHIUM-ION DE 56 VOLTS

NUMÉRO DE MODÈLE SNT2400/SNT2400-FC

⚠ AVERTISSEMENT : Afin de réduire les risques de blessure, l'utilisateur doit lire et comprendre le guide d'utilisation avant d'utiliser ce produit. Conservez le présent guide afin de pouvoir le consulter ultérieurement.

TABLE DES MATIÈRES

Symboles de sécurité	42
Consignes de sécurité	43-44
Pratiques d'utilisation sécuritaires de la souffleuse à neige poussée	44-48
Introduction	49
Caractéristiques techniques	49
Description	50-52
Assemblage	53-55
Fonctionnement	56-68
Entretien	69-74
Dépannage	75-76
Garantie	77-78

LISEZ TOUTES LES INSTRUCTIONS!



**ASSUREZ-VOUS DE LIRE ET DE
COMPRENDRE LE GUIDE D'UTILISATION**

⚠ AVERTISSEMENT : Certaines poussières produites par l'utilisation d'outils de coupe électriques contiennent des produits chimiques reconnus par l'État de Californie comme causes de cancers, d'anomalies congénitales et de problèmes du système reproducteur. Voici des exemples de ces produits chimiques :

- Le plomb contenu dans la peinture au plomb;
- La silice cristallisée contenue dans les briques, le ciment et d'autres produits de maçonnerie;
- L'arsenic et le chrome contenus dans le bois d'oeuvre traité avec des produits chimiques.

Les risques liés à l'exposition à ces produits varient en fonction de la fréquence à laquelle vous effectuez ce type de travail. Pour réduire votre exposition à ces produits chimiques, travaillez dans une zone bien ventilée et portez l'équipement de sécurité approuvé, comme les masques antipoussières conçus spécialement pour ne pas laisser passer les particules microscopiques.

SYMBOLES DE SÉCURITÉ

L'objectif des symboles de sécurité est d'attirer votre attention sur les dangers potentiels. Vous devez examiner attentivement et bien comprendre les symboles de sécurité et les explications qui les accompagnent. Les symboles d'avertissement n'éliminent pas le danger d'eux-mêmes. Les consignes et avertissements qu'ils donnent ne remplacent en aucun cas la prise de mesures préventives adéquates.

⚠ AVERTISSEMENT : Avant d'utiliser cet outil, veuillez à lire et à comprendre toutes les consignes de sécurité du guide d'utilisation, notamment tous les symboles d'alerte de sécurité comme « **DANGER** », « **AVERTISSEMENT** » et « **MISE EN GARDE** ». Le fait de ne pas respecter toutes les consignes ci-dessous peut occasionner un choc électrique, un incendie ou des blessures graves.

SIGNIFICATION DES SYMBOLES

⚠ SYMBOLE D'ALERTE DE SÉCURITÉ : Indique un **DANGER**, un **AVERTISSEMENT** ou une **MISE EN GARDE**. Il peut être associé à d'autres symboles ou pictogrammes.




⚠ AVERTISSEMENT : Lors de l'utilisation de tout outil électrique, des corps étrangers peuvent être projetés dans les yeux et causer des lésions oculaires graves. Avant d'utiliser un outil électrique, veuillez à toujours porter des lunettes de protection couvrantes ou à écrans latéraux, ou un masque complet au besoin. Nous recommandons le port d'un masque de sécurité panoramique par-dessus les lunettes ou de lunettes de sécurité standard avec écrans latéraux. Portez toujours un équipement de protection des yeux conforme à la norme ANSI Z87.1.

CONSIGNES DE SÉCURITÉ

Vous trouverez ci-dessous les symboles de sécurité qui peuvent être présents sur le produit, accompagnés de leur description. Vous devez lire, comprendre et suivre toutes les instructions présentes sur l'appareil avant de commencer à l'assembler ou à le manipuler.

	Alerte de sécurité	Indique un risque de blessures.
	Protection des yeux	Portez toujours des lunettes de protection ou des lunettes de sécurité avec écrans latéraux et un écran facial intégral lors de l'utilisation de ce produit.
	Assurez-vous de lire le guide d'utilisation	Afin de réduire les risques de blessure, l'utilisateur doit lire et comprendre le guide d'utilisation avant d'utiliser ce produit.
	DANGER — Gardez vos mains éloignées de la turbine	N'utilisez pas vos mains pour déboucher la goulotte
	Gardez vos pieds à distance de la turbine	Gardez les pieds éloignés de la turbine rotative
	DANGER — Gardez vos mains et vos pieds éloignés	Pour réduire le risque de blessure, gardez les mains et les pieds éloignés des pièces en rotation. N'utilisez cet équipement que si la goulotte de vidage est bien à sa place.
	Symboles de recyclage	Le produit fonctionne à l'aide de piles au lithium-ion (Li-ion). La législation locale, provinciale ou fédérale peut interdire la mise au rebut des piles dans les ordures ménagères. Consultez l'organisme local de gestion des déchets au sujet

IPX4	Niveau de protection d'indice	Protection contre les projections d'eau
V	Volt	Tension
	Courant continu	Type ou caractéristique du courant
cm	Centimètre	Longueur ou taille
in.	Pouce	Longueur ou taille
Ft.	pi	Longueur ou taille
kg	Kilogramme	Poids
lb	Livre	Poids

⚠ AVERTISSEMENT : Pour des raisons de sécurité et de fiabilité, toutes les réparations doivent être effectuées par un technicien/réparateur compétent.

PRATIQUES D'UTILISATION SÉCURITAIRES DE LA SOUFFLEUSE À NEIGE POUSSÉE

⚠ DANGER : Cette souffleuse à neige peut amputer une personne des bras et des pieds, et projeter des objets. Le non-respect des consignes de sécurité suivantes peut entraîner des blessures graves.

POUR TOUTES LES SOUFFLEUSES À NEIGE

- N'utilisez pas la souffleuse sur une surface avec des graviers sauf si elle est ajustée pour une telle surface conformément au guide d'utilisation.
- Maintenez les enfants à l'écart – tous les visiteurs doivent se tenir à une distance sécuritaire de la zone de travail.
- Portez une tenue adéquate – Ne portez pas de vêtements amples ou de bijoux risquant d'être accrochés par la souffleuse. Ils pourraient se coincer dans les pièces mobiles de la souffleuse.
- Portez des bottes en caoutchouc lorsque vous utilisez la souffleuse.
- Gardez vos mains éloignées des pièces mobiles.

- Assurez-vous que les protecteurs sont bien en place et en bon état de fonctionnement.
- Ne forcez pas la souffleuse à neige – elle fonctionnera mieux et sera plus sécuritaire au régime de fonctionnement pour lequel elle a été conçue.
- Ne vous penchez pas excessivement vers l'avant – gardez une posture sécuritaire et un bon équilibre en tout temps.
- Si la souffleuse à neige frappe un objet étranger, procédez de la manière suivante :
 - 1) Arrêtez la souffleuse à neige. Relâchez l'interrupteur.
 - 2) Retirez le(s) bloc(s)-piles.
 - 3) Inspectez la souffleuse pour vous assurer qu'elle n'est pas endommagée.
 - 4) Réparez tout dommage avant de remettre la souffleuse en marche et de l'utiliser à nouveau.
- Rangez la souffleuse à neige à l'intérieur. Lorsqu'elle n'est pas utilisée, la souffleuse à neige doit être rangée à l'intérieur, dans un endroit sec et fermé à clé – hors de la portée des enfants.
- Entretenez soigneusement votre souffleuse à neige – suivez toutes les instructions relatives à la lubrification et au remplacement des accessoires.

FORMATION

- Vous devez lire, comprendre et suivre toutes les instructions indiquées sur la machine et dans le(s) mode(s) d'emploi avant de vous servir de la souffleuse. Familiarisez-vous avec les commandes et apprenez à utiliser la souffleuse de façon appropriée. Sachez comment arrêter la souffleuse et désengager rapidement les commandes.
- Ne laissez jamais des enfants utiliser la souffleuse. Ne laissez jamais des adultes utiliser la souffleuse sans leur avoir fourni au préalable les instructions appropriées.
- Assurez-vous de garder toutes les personnes, et en particulier les petits enfants, à l'extérieur de la zone d'utilisation.
- Faites preuve de prudence pour ne pas risquer de glisser ou de tomber, surtout lorsque vous utilisez la souffleuse à neige à reculons.

PRÉPARATION

- Inspectez soigneusement la zone dans laquelle la souffleuse doit être utilisée, et retirez tous les paillasons, traîneaux, planches, fils et autres objets étrangers.
- N'utilisez pas la souffleuse sans porter des vêtements adéquats pour l'hiver. Évitez de porter des vêtements amples qui pourraient se coincer dans les pièces mobiles. Portez des bottes qui améliorent votre stabilité sur des surfaces glissantes.
- Ne tentez jamais de faire des ajustements pendant que le moteur tourne (sauf si le fabricant le recommande explicitement).
- Portez toujours des lunettes de sécurité ou des protecteurs oculaires pendant que vous utilisez la souffleuse ou procédez à des réglages ou à des réparations afin de protéger vos yeux contre des objets étrangers pouvant être projetés par la souffleuse.

FONCTIONNEMENT

- Prévenez toute mise en marche accidentelle. Assurez-vous que l'interrupteur est dans la position hors tension avant de brancher le bloc-piles ou de soulever ou de transporter la souffleuse. Si vous transportez la souffleuse avec le doigt sur l'interrupteur ou si vous mettez la souffleuse sous tension alors que l'interrupteur est déjà engagé, vous risquez de causer un accident.
- Ne mettez ni les mains, ni les pieds à proximité des pièces rotatives ou en dessous de celles-ci. Maintenez l'ouverture de la goulotte dégagée en tout temps.
- Faites preuve d'une grande prudence lorsque vous utilisez la souffleuse à neige sur des aires de stationnement, des allées ou des routes avec des graviers, ou lorsque vous les traversez. Faites attention à la circulation et aux dangers potentiels cachés.
- Après avoir frappé un objet étranger, arrêtez le moteur, retirez le(s) bloc(s)-piles, inspectez soigneusement la souffleuse à neige pour vous assurer qu'elle n'est pas endommagée et effectuez les réparations nécessaires avant de la remettre en marche et de recommencer à l'utiliser.
- Si la souffleuse venait à vibrer de façon anormale, arrêtez le moteur et recherchez immédiatement la cause des vibrations. Les vibrations indiquent généralement un problème possible.
- Arrêtez le moteur chaque fois que vous quittez la position de conduite, avant de désobstruer le logement de la vis sans fin ou l'ouverture de la goulotte, et avant d'entreprendre des inspections, des réglages ou des réparations.

- Avant tout nettoyage, toute inspection ou toute réparation de la souffleuse à neige, arrêtez le moteur et attendez l'arrêt complet de la vis sans fin et de toutes les pièces mobiles. Retirez le(s) bloc(s)-piles afin que personne ne risque de remettre le moteur en marche accidentellement.
- Faites preuve d'une extrême prudence lorsque vous utilisez la souffleuse à neige sur une pente.
- Ne faites jamais fonctionner la souffleuse à neige sans que les protecteurs et les autres dispositifs de sécurité appropriés ne soient en place et en bon état de fonctionnement.
- Ne dirigez jamais la neige évacuée vers des personnes ou des endroits qui risqueraient de subir des dommages matériels. Tenez les enfants et toutes autres personnes à bonne distance.
- Ne forcez pas la capacité de la souffleuse en tentant de déblayer la neige à une vitesse trop rapide.
- Désengagez l'ensemble d'alimentation de la vis sans fin lorsque vous transportez la souffleuse à neige ou lorsque vous ne l'utilisez pas.
- N'utilisez que des attachements et accessoires approuvés par le fabricant de la souffleuse à neige (comme une barre de raclage).
- Ne faites jamais fonctionner la souffleuse à neige si vous ne disposez pas d'une bonne visibilité et d'un éclairage suffisant. Veillez à ne pas perdre l'équilibre et tenez fermement le guidon. Marchez ; ne courez jamais.
- N'exposez pas un bloc-piles ou un outil à un feu ou à une température excessive. Une exposition à un feu ou à une température de plus de 100° C / 212° F pourrait causer une explosion.
- N'utilisez la souffleuse qu'avec les blocs-piles et les chargeurs indiqués ci-dessous :

BLOC-PILES	CHARGEUR
BA1400, BA1400-FC, BA2800, BA2800-FC, BA4200, BA4200-FC, BA1400T, BA1400T-FC, BA2240T, BA2240T-FC, BA2242T, BA2242T-FC, BA2800T, BA2800T-FC, BA4200T, BA4200T-FC, BA5600T, BA5600T-FC, BA6720T, BA6720T-FC	CH2100, CH2100-FC, CH3200, CH3200-FC, CH5500, CH5500-FC, CH2800D, CH2800D-FC, CH7000, CH7000-FC

AVIS : Pour produire la meilleure performance possible, nous vous recommandons d'utiliser la souffleuse avec deux piles de 5,0 Ah ou plus.

DÉSObSTRUCTION DE LA GOULOTTE D'ÉJECTION

Un contact de la main avec l'ensemble de vis sans fin en rotation à l'intérieur de la goulotte d'éjection est la cause la plus courante des blessures associées aux souffleuses à neige. N'utilisez jamais votre main pour désobstruer la goulotte d'éjection.

Désobstruction de la goulotte

- **ARRÊTEZ LE MOTEUR !**
- Retirez le(s) bloc(s)-piles de la souffleuse à neige.
- Attendez 10 secondes pour vous assurer que la vis sans fin a cessé de tourner.
- Utilisez toujours l'outil de désobstruction de la goulotte qui est attaché à la souffleuse en tant qu'accessoire. Ne vous servez jamais de vos mains.

ENTRETIEN ET REMISAGE

- Vérifiez fréquemment le serrage de tous les boulons et de tous les mécanismes de fixation pour vous assurer que la souffleuse est en bon état de marche en toute sécurité.
- Référez-vous toujours au guide d'utilisation pour prendre en compte des instructions importantes à appliquer si la souffleuse à neige doit être remise en état pendant une période prolongée.
- Préservez ou remplacez les étiquettes de sécurité et d'instructions selon les besoins.
- Laissez tourner la souffleuse à neige à vide pendant quelques minutes après l'avoir utilisée pour déneiger pour éviter que la vis sans fin ne soit bloquée par le gel.

CONSERVEZ CES INSTRUCTIONS. Consultez-les régulièrement et utilisez-les pour expliquer le fonctionnement de la souffleuse à d'autres personnes qui pourraient l'utiliser. Si vous prêtez la souffleuse à quelqu'un d'autre, prêtez-lui également ces instructions afin de prévenir une utilisation inappropriée de la souffleuse et d'éviter ainsi des blessures potentielles.

INTRODUCTION

Nous vous félicitons d'avoir choisi une souffleuse à neige de nouvelle génération propulsée par un bloc-pile au lithium-ion de 56 V. Il a été conçu et fabriqué afin de vous offrir la meilleure fiabilité et le meilleur rendement possible.

Si vous éprouvez un problème que vous n'arrivez pas à régler facilement, veuillez communiquer avec le centre de service à la clientèle d'EGO au 1 855 EGO-5656.

Le présent guide contient des renseignements importants pour assembler, utiliser et entretenir la souffleuse à neige en toute sécurité. Lisez-le attentivement avant d'utiliser l'outil. Conservez ce guide à portée de main afin de pouvoir le consulter à tout moment.

NUMÉRO DE SÉRIE _____ DATE D'ACHAT _____

LES NUMÉROS DE MODÈLE ET DE SÉRIE SE TROUVENT SUR UNE ÉTIQUETTE FIXÉE SUR LE LOGEMENT DE LA VIS SANS FIN.

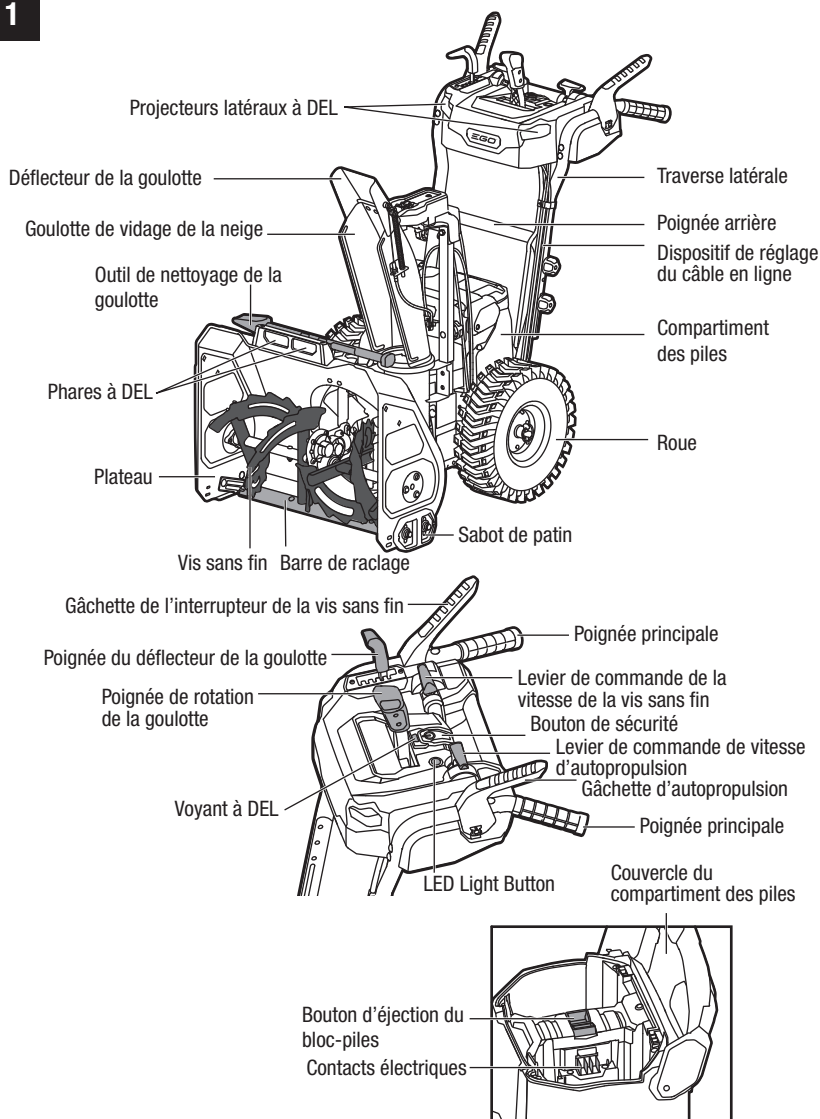
NOUS VOUS RECOMMANDONS DE NOTER LE NUMÉRO DE SÉRIE ET LA DATE D'ACHAT ET DE LES CONSERVER EN LIEU SÛR AFIN DE POUVOIR LES CONSULTER ULTÉRIEUREMENT. CONSERVEZ VOTRE REÇU DE CAISSE.

CARACTÉRISTIQUES

Tension	56 V c.c.
Largeur de déblaiement	60 cm / 24 po
Hauteur d'admission	50 cm / 20 po
Distance de projection	Jusqu'à 15 m / 50 pi
Taille des roues	38 cm / 15 po
Température de fonctionnement	-20°C-10°C(-4°F-50°F)
Température de stockage	-20°C-70°C(-4°F-158°F)
Poids de la souffleuse à neige (sans bloc-piles)	143.3 lbs(65 kg)

DESCRIPCIÓN

1



⚠ AVERTISSEMENT : Pour utiliser ce produit en toute sécurité, vous devez comprendre les renseignements le concernant qui sont contenus dans ce guide d'utilisation et connaître le projet que vous entreprenez. Avant d'utiliser la souffleuse, familiarisez-vous avec toutes les caractéristiques de fonctionnement et les consignes de sécurité.

Bouton de sécurité

Le bouton de sécurité doit être enfoncé avant que le moteur puisse démarrer.

⚠ AVERTISSEMENT : Le bouton de sécurité est un dispositif de sécurité. Ne tentez jamais de désactiver son fonctionnement.

Gâchette de l'interrupteur de vis sans fin

Engage et désengage le moteur. Cet interrupteur peut être utilisé après avoir appuyé sur le bouton de sécurité.

Levier de commande de la vitesse de la vis sans fin

Ajuste la vitesse de rotation de la vis sans fin pour permettre d'ajuster la distance de projection.

Gâchette d'autopropulsion

Active et désactive la fonction d'autopropulsion.

Levier de commande de vitesse d'autopropulsion

Augmente ou réduit la vitesse d'autopropulsion.

Poignée de rotation de la goulotte

Fait tourner la goulotte de telle sorte que l'utilisateur puisse diriger la neige évacuée à l'endroit où il le désire. La poignée permet à la goulotte de tourner de 100° à gauche à 100° à droite.

Poignée du déflecteur de la goulotte

Ajuste l'angle du déflecteur de la goulotte et la hauteur du jet d'évacuation.

Phares / projecteurs latéraux à DEL

Cette fonctionnalité fournit plus de lumière pour accroître la visibilité.

Bouton d'éclairage à DEL

Allume et éteint les phares et projecteurs latéraux à DEL.

Voyant à DEL

Indique l'état de charge de la souffleuse à neige et du bloc-piles.

Barre de raclage

Détache le peu de neige qui reste sur la surface que vous êtes en train de déneiger.

Sabot de patin

Augmente la capacité de manœuvre de la souffleuse à neige sur la neige et ajuste la distance entre la barre de raclage et le sol.

Bouton d'éjection du bloc-piles

Appuyez sur le bouton pour éjecter très vite la pile.

Dispositif de réglage du câble en ligne

Desserrez ou serrez la goulotte de décharge de la neige

ASSEMBLAGE

⚠ AVERTISSEMENT : Pour prévenir toute mise en marche accidentelle qui pourrait causer des blessures graves, retirez toujours le(s) bloc(s)-piles de l'outil lorsque vous êtes en train d'assembler des pièces.

⚠ AVERTISSEMENT : S'il y a des pièces manquantes ou endommagées, ne tentez pas d'utiliser cet article tant que ces pièces n'auront pas été remplacées. Le fait d'utiliser cet article avec des pièces endommagées ou manquantes pourrait entraîner des blessures graves.

⚠ AVERTISSEMENT : Ne tentez pas de modifier cet article ou de créer des accessoires qui ne sont pas recommandés pour cet article. Toute modification est considérée comme un usage inapproprié et peut créer une situation dangereuse susceptible d'entraîner des blessures graves.

DÉBALLAGE

- Deux personnes doivent saisir la poignée arrière et la partie avant de la souffleuse en même temps, puis elles doivent soulever la souffleuse avec précaution pour la faire sortir du carton. Retirez ensuite tous les autres accessoires du carton. Assurez-vous que tous les articles mentionnés sur le bordereau de marchandises sont inclus.



⚠ ATTENTION : Cet objet pèse lourd. Il faut une équipe pour le soulever. Au moins deux personnes sont nécessaires pour soulever cette souffleuse à neige et la faire sortir de son conditionnement.

⚠ AVERTISSEMENT : N'utilisez pas la souffleuse si de quelconques pièces mentionnées sur le bordereau de marchandises sont déjà assemblées lorsque vous procédez au déballage. Les pièces figurant sur le bordereau de marchandises n'ont pas été montées sur la souffleuse par le fabricant ; il incombe au client de les installer. L'utilisation d'une souffleuse pouvant avoir été assemblée de façon inappropriée risquerait de causer des blessures graves.

- Inspectez soigneusement l'outil pour vérifier qu'il n'a pas été endommagé pendant l'expédition.
- Ne jetez pas le matériel d'emballage avant d'avoir inspecté soigneusement la scie à chaîne et de l'avoir fait fonctionner de manière satisfaisante.
- S'il y a des pièces manquantes ou endommagées, veuillez retourner l'outil à l'endroit où vous l'avez acheté.

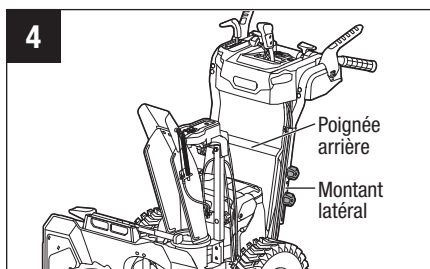
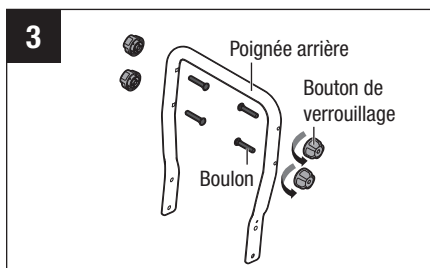
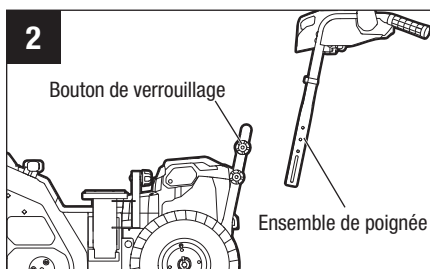
LISTE DU CONTENU

NOM DE LA PIÈCE	QUANTITÉ
Souffleuse à neige	1
Ensemble de goulotte d'évacuation de la neige	1
Ensemble de poignée	1
Guide d'utilisation	1
Outil de nettoyage de la goulotte	1
Goupille de sécurité	2

POUR INSTALLER L'ASSEMBLÉE DE LA POIGNÉE

AVIS : L'ensemble poignée doit être assemblé avant d'utiliser la souffleuse à neige (Fig.2).

1. Desserrez les quatre boutons de verrouillage et retirez les quatre boulons de la poignée arrière (Fig. 3).
2. Soulevez l'ensemble de poignée, alignez les trous dans les montants latéraux sur les trous de la poignée arrière, sélectionnez la hauteur désirée pour la poignée, puis sécurisez l'ensemble de poignée au moyen des boulons et des boutons de verrouillage (Fig. 4). Veuillez vous référer à la rubrique « **RÉGLAGE DE LA HAUTEUR DE LA POIGNÉE** » pour obtenir des instructions détaillées sur le réglage.



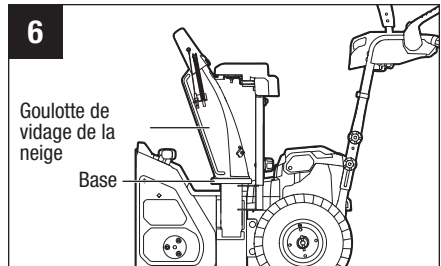
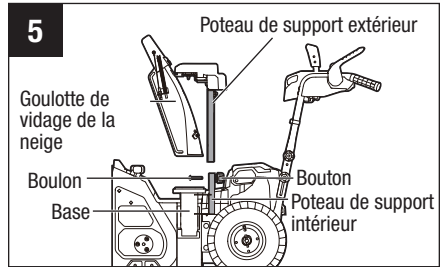
INSTALLATION DE L'ENSEMBLE DE GOULOTTE D'ÉVACUATION DE LA NEIGE

⚠ AVERTISSEMENT : N'utilisez jamais la souffleuse à neige sans que la goulotte d'évacuation soit complètement en place.

1. Desserrez le bouton sur le poteau de support intérieur et retirez le boulon (Fig. 5). Conservez le bouton et le boulon en vue du réassemblage ultérieur.
2. Soulevez l'ensemble de goulotte de vidage de la neige, alignez le poteau de support extérieur sur le poteau de support intérieur, puis faites glisser le poteau de support extérieur en place (Fig. 5). Assurez-vous que l'ensemble de goulotte de vidage de la neige repose bien sur la base (Fig. 6).

3. Sécurisez l'ensemble de goulotte de vidage de la neige au moyen du bouton et du boulon prévus à cet effet.

⚠ AVERTISSEMENT : Utilisez la poignée de rotation de la goulotte pour vous assurer que la chute tourne correctement et que l'ouverture de la goulotte n'interfère jamais avec les commandes de l'opérateur



FONCTIONNEMENT

⚠ AVERTISSEMENT : Même si vous connaissez parfaitement ce produit, soyez vigilant. N'oubliez pas qu'une fraction de seconde d'inattention suffit à se blesser grièvement.

⚠ AVERTISSEMENT : Portez toujours des lunettes de sécurité conformes à la norme ANSI Z87.1. Sinon, vous pourriez recevoir des débris dans les yeux et vous blesser grièvement.

⚠ AVERTISSEMENT : N'utilisez pas de pièces ni d'accessoires qui ne sont pas recommandés par le fabricant de ce produit. L'utilisation de pièces ou d'accessoires non recommandés peut causer des blessures graves.

UTILISATIONS

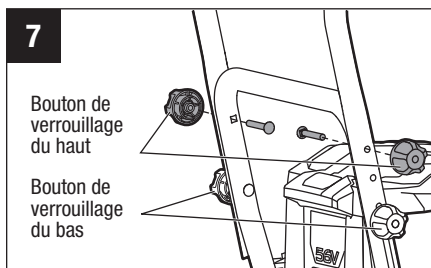
Vous pouvez utiliser ce produit pour les types de travaux listés ci-dessous.

Enlèvement de la neige d'endroits tels que des voies d'accès pour autos et des trottoirs

RÉGLAGE DE LA HAUTEUR DE LA POIGNÉE

L'ensemble de poignée peut être réglé sur trois hauteurs différentes. Choisissez une position d'utilisation confortable en fonction de votre taille.

1. Desserrez les deux boutons de verrouillage du haut et retirez les deux boulons (Fig. 7). Conservez-les en vue du remontage ultérieur.
2. Desserrez les deux boutons de verrouillage du bas. Il n'est pas nécessaire de retirer les deux boutons de verrouillage du bas et les boulons des montants latéraux pendant le réglage de la hauteur de la poignée.



3. Élevez ou abaissez la poignée et sélectionnez la hauteur appropriée par rapport aux positions des trous dans la poignée.
4. Une fois que vous serez arrivé aux trous appropriés, serrez la poignée avec les boutons et les boulons réservés; puis serrez les deux boutons de verrouillage du bas pour sécuriser la poignée.

L'illustration montre la position de fonctionnement du haut (Fig. 8), la position de fonctionnement du milieu (Fig. 9) et la position de fonctionnement du bas (Fig. 10).

FIXATION ET RETRAIT DU BLOC-PILES

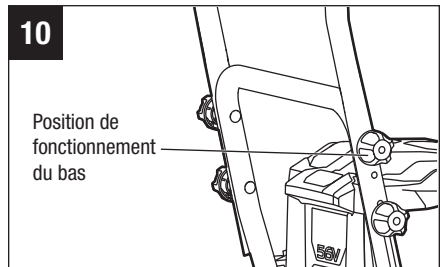
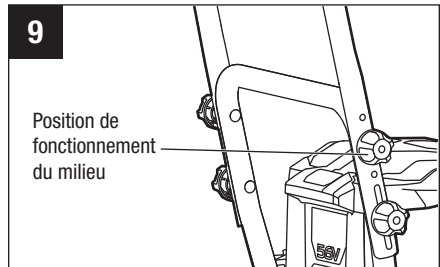
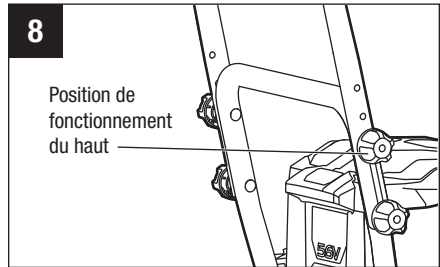
CHARGEZ LE BLOC-PILES AVANT LA PREMIÈRE UTILISATION.

REMARQUE : Pour un rendement optimal, nous vous recommandons d'utiliser deux piles Arc-Lithium EGO de 56 V et 5,0 Ah ou deux piles Arc-Lithium EGO de 56 V de capacité plus élevée.

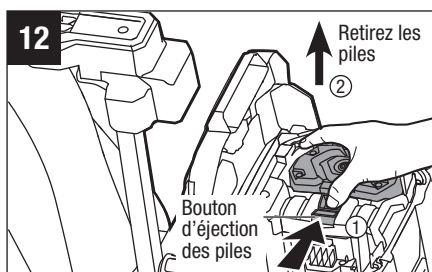
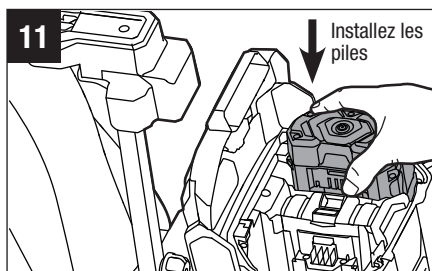
Quand ils ne sont pas utilisés, les blocs-piles de 56 V doivent être rangés dans un endroit fermé où la température ne descend pas en dessous de -20°C / -4°F . Les températures de charge optimales se situent entre 5°C / 41°F et 40°C / 104°F .

⚠ AVERTISSEMENT : Si de quelconques pièces sont cassées ou endommagées, ne tentez pas de fixer les blocs-piles sur la souffleuse à neige ou d'utiliser la souffleuse tant que les pièces cassées ou endommagées n'auront pas été remplacées. Sinon, vous risqueriez de subir de graves blessures.

1. Le couvercle du compartiment des piles est doté de charnières. Relevez le couvercle du compartiment des piles en soulevant la partie avant du couvercle.
2. La souffleuse à neige est équipée de deux compartiments à piles, qui peuvent recevoir deux blocs-piles en même temps.



- Alignez les rainures dans le bloc-piles sur les nervures de l'un des compartiments des piles, puis insérez le bloc-piles à l'intérieur du compartiment (Fig 11).
- Enfoncez le bloc-piles jusqu'à ce que vous entendiez un déclic. Le bouton d'éjection du bloc-piles remonte lorsque le bloc-piles est sécurisé correctement.
- Fixez l'autre bloc-piles dans l'autre compartiment de la même manière.
- Pour retirer le bloc-piles, appuyez sur le bouton d'éjection des piles pour dégager le bloc-piles, puis faites-le sortir du compartiment (Fig. 12).



- Fermez le couvercle du compartiment des piles.

AVIS : Assurez-vous que le verrou sur la souffleuse à neige s'enclenche et que le ou les blocs-piles sont bien fixés sur la souffleuse avant de la faire démarrer.

DÉMARRAGE / ARRÊT DE LA SOUFFLEUSE À NEIGE

⚠ ATTENTION : Ne tentez pas de désactiver le fonctionnement du bouton de sécurité. Il ne faut pas mettre en marche et éteindre la souffleuse à neige en succession rapide.

⚠ AVERTISSEMENT : L'utilisation d'une souffleuse à neige peut entraîner la projection de corps étrangers dans vos yeux ou dans les yeux d'autres personnes et causer ainsi des lésions oculaires graves. Portez toujours des lunettes de sécurité lorsque vous utilisez la souffleuse à neige ou lorsque vous effectuez des réglages ou des réparations sur la souffleuse.

⚠ AVERTISSEMENT : Assurez-vous que les autres personnes et les animaux restent au moins à 30 m / 100 pi de la souffleuse à neige quand elle est en cours d'utilisation.

⚠ AVERTISSEMENT : La vis sans fin continuera à tourner pendant quelques secondes après que vous aurez éteint la souffleuse à neige. Attendez que la vis sans fin s'arrête de tourner avant de la remettre en marche.

Mise en marche de la souffleuse à neige

1. Assurez-vous que l'ensemble de poignée est réglé de façon sécurisée à la hauteur appropriée, que l'ensemble de l'ensemble de goulotte de vidage latérale est monté correctement et que la goulotte et le déflecteur de la goulotte sont ajustés dans une position appropriée.
2. Fixez le(s) bloc(s)-piles sur la souffleuse à neige et fermez le couvercle du compartiment des piles.

AVIS : Assurez-vous que le verrou sur la souffleuse à neige s'enclenche et que le ou les blocs-piles sont bien fixés à la souffleuse à neige avant de la mettre en marche

3. Appuyez sur le bouton de sécurité et maintenez-le enfoncé pendant une seconde. Le voyant à DEL clignotera en vert. Appuyez sur la gâchette de l'interrupteur de la vis sans fin pour mettre la souffleuse à neige en marche pendant que le voyant à DEL clignote (Fig. 13).

AVIS : La souffleuse à neige ne peut être mise en marche par la gâchette de l'interrupteur de la vis sans fin que pendant que le voyant à DEL clignote.

AVIS : La souffleuse à neige ne pourra peut-être pas être mise en marche de façon appropriée si la température des piles est égale ou inférieure à -20°C / -4°F . Si la souffleuse à neige ne se met pas en marche, retirez la pile de la souffleuse à neige et réchauffez-la à la température ambiante à l'intérieur pendant au moins une dizaine de minutes. Réinstallez ensuite la pile et réessayez.

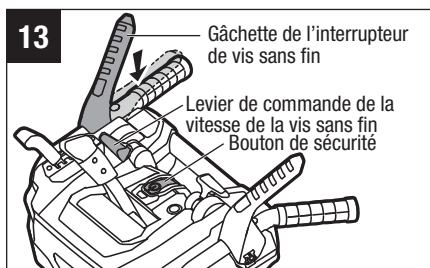
Arrêt de la souffleuse à neige

1. Relâchez complètement la gâchette de l'interrupteur de la vis sans fin.
2. Le frein électrique dans le mécanisme de freinage automatique arrêtera la rotation de la vis sans fin trois secondes après le désengagement de l'interrupteur de la vis sans fin.

Système de vis sans fin à vitesse variable (Fig. 13)

La vitesse de rotation de la vis sans fin peut être ajustée pour contrôler la distance de projection.

1. Pour augmenter la vitesse, déplacez le levier de commande de la vitesse de la vis sans fin vers l'avant.
2. Pour réduire la vitesse, tirez le levier de commande de la vitesse de la vis sans fin vers l'arrière.



Système d'autopropulsion à vitesse variable (Fig. 14)

Cette souffleuse à neige comporte une capacité d'autopropulsion à vitesse variable. Ce système est indépendant de l'interrupteur d'activation/de désactivation de la vis sans fin ; il ne dépend pas de la rotation de la vis sans fin. Par exemple, après avoir terminé le nettoyage d'une voie d'accès pour autos, vous pouvez utiliser la fonction d'autopropulsion pour vous permettre de ranger la souffleuse à neige dans votre remise sans que la vis sans fin ne soit activée.

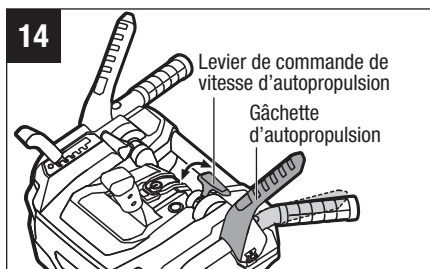
Pour utiliser le système d'autopropulsion sans activer la rotation de la vis sans fin, appuyez sur l'interrupteur d'autopropulsion sur la poignée.

Pour désactiver la fonction d'autopropulsion, relâchez l'interrupteur d'autopropulsion.

Le système a une vitesse variable. Pour augmenter la vitesse, déplacez le levier de commande de la vitesse à autopropulsion vers l'avant. Pour réduire la vitesse, déplacez le levier de commande de la vitesse à autopropulsion vers l'arrière.

Pour déplacer la souffleuse à neige vers l'arrière, commencez par désactiver la fonction d'autopropulsion ; tirez sur le levier de commande de vitesse à autopropulsion jusqu'à l'arrière de la souffleuse à neige, puis appuyez sur la gâchette d'autopropulsion.

AVIS : La vitesse est fixée lorsque vous utilisez la souffleuse à neige en marche arrière avec l'autopropulsion; le levier de commande de la vitesse ne permet pas de changer la vitesse en marche arrière.

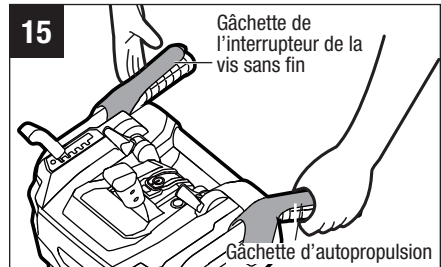


AVIS : La souffleuse à neige ne peut pas être mise en marche arrière pendant que la fonction d'autopropulsion la fait se déplacer vers l'avant.

LIAISON ENTRE LA GÂCHETTE DE L'INTERRUPTEUR DE LA VIS SANS FIN ET LA GÂCHETTE DE L'INTERRUPTEUR D'AUTOPROPULSION (Fig. 15)

Lorsque vous activez la gâchette de l'interrupteur de la vis sans fin et la gâchette de l'interrupteur d'autopropulsion en même temps, la gâchette de l'interrupteur de la vis sans fin sera verrouillé temporairement. Relâchez la gâchette de l'interrupteur de la vis sans fin (à droite), et la gâchette de l'interrupteur de la vis sans fin restera engagée. Cette fonctionnalité vous permet de régler la vitesse de rotation de la vis sans fin, la vitesse d'autopropulsion et le sens d'évacuation de la neige pendant que la vis sans fin est en train de tourner.

Pour arrêter la rotation de la vis sans fin, relâchez la gâchette de l'interrupteur d'autopropulsion, et les fonctions de rotation de la vis sans fin et d'autopropulsion seront désactivées.

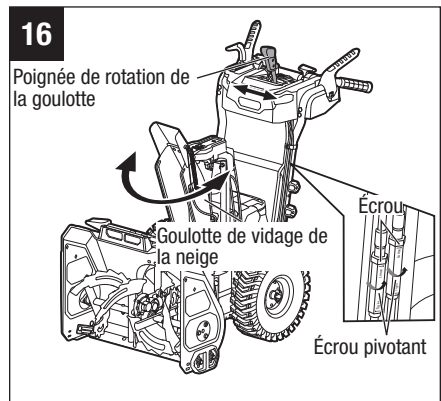


RÉGLAGE DE LA GOULOTTE ET DU DÉFLECTEUR

Desserrez/serrez la goulotte de décharge de la neige

Si vous rencontrez de la neige lourde, de la neige mouillée ou de la neige glacée, vous pouvez ajuster la goulotte de manière très serrée en fonction de vos besoins.

Le dispositif de réglage du câble en ligne permet de modifier la force de déplacement de la goulotte. Si vous le souhaitez, vous pouvez réduire la force en tournant légèrement le dispositif de réglage du câble en ligne dans le sens contraire des aiguilles d'une montre (Fig. 16).



Ajuster la direction de la chute de décharge de neige

Il est également possible d'augmenter la force en la tournant dans le sens inverse. Sachez que la goulotte de décharge de la neige dérivera vers la gauche ou vers la droite pendant l'utilisation si elle est trop lâche. La goulotte peut être ajustée pour changer à la fois la direction et la distance d'évacuation de la neige afin de vous aider à déplacer la neige d'un endroit à un autre.

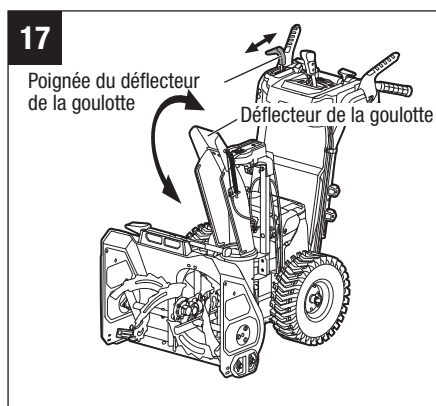
La direction de projection de la neige évacuée peut être ajustée jusqu'à 100° vers la gauche et jusqu'à 100° vers la droite (Fig. 16).

1. Tirez la poignée de rotation de la goulotte vers la gauche pour faire tourner la goulotte vers la gauche.
2. Tirez la poignée de rotation de la goulotte vers la droite pour faire tourner la goulotte vers la droite.

Ajuster le déflecteur de chute

La distance de projection de la souffleuse à neige est ajustée en déplaçant le déflecteur de la goulotte vers le haut ou vers le bas.

Pour augmenter ou réduire la distance de projection de la neige, tirez la poignée du déflecteur de la goulotte vers l'arrière ou vers l'avant pour élever ou abaisser le déflecteur de la goulotte (Fig. 17). Une fois que vous serez arrivé à la position désirée pour le déflecteur de la goulotte, engagez à nouveau la poignée du déflecteur de la goulotte dans la fente de verrouillage.



FONCTIONNEMENT DES PROJECTEURS LATÉRAUX ET DES PHARES À DEL (Fig. 18)

Les projecteurs latéraux à DEL sont situés des côtés gauche et droit de l'ensemble de poignée. Les phares à DEL sont situés à l'avant du plateau.

Appuyez une fois sur le bouton d'éclairage à DEL pour allumer à la fois les projecteurs latéraux et les phares.

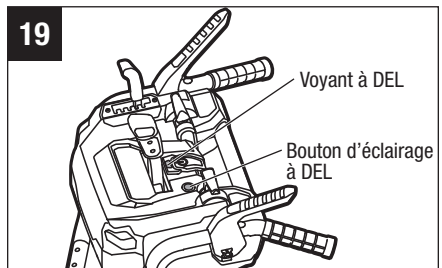
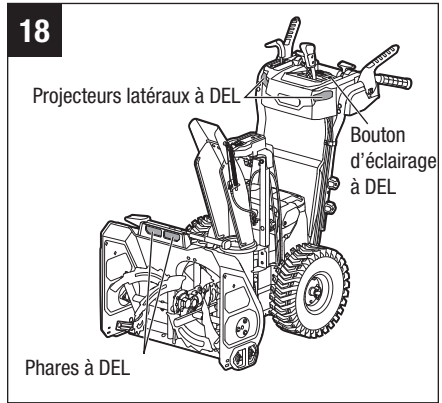
Appuyez deux fois sur le bouton d'éclairage à DEL pour éteindre les projecteurs latéraux.

Appuyez trois fois sur le bouton d'éclairage à DEL pour éteindre toutes les lumières.

AVIS : Toutes les lumières à DEL s'éteindront automatiquement si la souffleuse à neige n'est pas utilisée pendant 5 minutes.

VOYANT À DEL SUR LA SOUFFLEUSE À NEIGE (Fig. 19)

La souffleuse à neige est munie d'un voyant à DEL pour indiquer le niveau de charge du ou des blocs-piles et l'état de fonctionnement de la souffleuse à neige.



VOYANT À DEL	SIGNIFICATION	ACTION
Vert brillant	La souffleuse à neige fonctionne correctement ; chaque pile a au moins 15 % de sa charge.	s/o
Rouge clignotant	La pile est presque déchargée.	Arrêtez la souffleuse à neige et chargez le(s) bloc(s)-piles.
Vert et rouge clignotant tour à tour	Erreur	Contactez le centre de service à la clientèle d'EGO.
Orange brillant	La souffleuse à neige s'arrête pour cause de surchauffe.	Retirez les piles de la souffleuse à neige, mettez-les à l'ombre et laissez-les refroidir pendant au moins un quart d'heure.
Orange clignotant	La souffleuse à neige est surchargée.	Commencez par retirer le bloc-piles, puis inspectez la souffleuse afin de déterminer si de la neige s'est accumulée en dessous du plateau. Ralentissez lorsque vous déplacez de la neige. Si cela ne suffit pas à remédier au problème, veuillez contacter le centre de service à la clientèle d'EGO.
Sombre et DEL clignotant sur la pile	Surchauffe du bloc-piles. (Voir la rubrique « PROTECTION DU BLOC-PILES CONTRE UNE SURCHAUFFE » dans ce guide)	Retirez le bloc-piles de la souffleuse à neige et attendez que le bloc-piles ait refroidi jusqu'à environ 67° C / 152° F, puis réinstallez le bloc-piles et remettez la souffleuse à neige en marche.

PROTECTION DE LA SOUFFLEUSE À NEIGE CONTRE LES SURCHARGES

Pour éviter des conditions de surcharge, ne tentez pas de déblayer trop de neige en une seule fois. Ralentissez votre rythme de déneigement ou réduisez la largeur de déneigement. Votre souffleuse à neige comporte des éléments intégrés de détection de surcharge. Lorsque la souffleuse à neige est en état de surcharge, le moteur diminue automatiquement sa vitesse et vous entendez le volume du moteur décroître. Dans ce cas, ralentissez votre rythme de déneigement ou réduisez la largeur de déneigement ; la vitesse du moteur reviendra automatiquement à un régime normal. Si ce recours ne

résout pas la situation de surcharge, le capteur éteint automatiquement le moteur et le voyant à DEL sur la souffleuse à neige clignote en orange. Retirez le(s) bloc(s)-piles de la souffleuse à neige. Attendez 10 secondes et vérifiez si de la neige ou de la glace est coincée dans la vis sans fin et sur le plateau. Si nécessaire, suivez les instructions pour dégager une goulotte obstruée. Réinstallez les blocs-piles et redémarrez la souffleuse à neige.

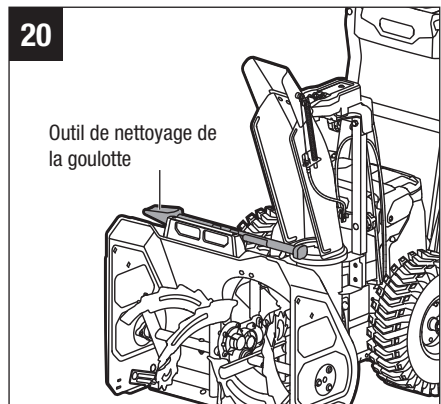
DÉGAGEMENT D'UNE GOULOTTE OBSTRUÉE

⚠ AVERTISSEMENT : L'entrée en contact des mains avec la vis sans fin en rotation à l'intérieur de la goulotte est la cause la plus fréquente des blessures associées aux souffleuses à neige. Ne vous servez jamais de vos mains pour nettoyer la goulotte.

⚠ AVERTISSEMENT : Ne placez jamais vos bras à l'intérieur de la goulotte et ne placez aucune partie de votre corps devant la souffleuse à neige lorsque celle-ci est en marche ou quand le ou les blocs-piles sont installés. Assurez-vous toujours que toutes les pièces mobiles se sont arrêtées et que le ou les blocs-piles ont été retirés avant de retirer des obstructions. Le non-respect de ces instructions peut entraîner des blessures graves.

Nettoyage de la goulotte :

1. Éteignez le moteur.
2. Retirez le(s) bloc(s)-piles de la souffleuse à neige.
3. Attendez 10 secondes pour vous assurer que la vis sans fin a cessé de tourner.
4. Utilisez toujours l'outil de nettoyage de la goulotte qui est attaché à la souffleuse comme accessoire. **NE NETTOYEZ PAS AVEC VOTRE MAIN** (Fig. 20).



PROTECTION DU BLOC-PILES CONTRE UNE SURCHAUFFE

Le bloc-piles produit de la chaleur pendant son fonctionnement. Si la température des piles dépasse 70° C / 158° F pendant son fonctionnement, le circuit de protection éteindra immédiatement la souffleuse à neige afin de protéger le bloc-piles contre tout risque de dommage résultant d'une surchauffe. Le voyant à DEL de la souffleuse à neige s'éteindra et la DEL sur le bloc-piles clignotera en orange ou brillera de façon continue en rouge.

AVIS : Les DEL sur les blocs-piles suivants clignoteront en orange en cas de surchauffe : BA1400, BA1400-FC, BA2800, BA2800-FC, BA4200 et BA4200-FC ; les DEL sur les blocs-piles suivants brilleront de façon continue en rouge en cas de surchauffe : BA1400T, BA1400T-FC, BA2800T, BA2800T-FC, BA4200T, BA4200T-FC, BA5600T et BA5600T-FC.

Si la souffleuse à neige est en état de surchauffe elle-même, le voyant à DEL sur la souffleuse à neige clignotera en orange et le voyant pour les piles sera éteint.

En cas de surchauffe des piles, relâchez toutes les gâchettes, attendez que le ou les blocs-piles surchauffés refroidissent ou changez le ou les nouveaux blocs-piles, puis remettez la souffleuse en marche. Pour éviter que la souffleuse ne s'arrête en raison de l'activation du système de protection des piles contre les températures élevées, n'essayez pas d'utiliser une seule pile pour alimenter la souffleuse lorsque la profondeur de la neige accumulée dépasse 20 cm / 8 po ou lorsque la neige est très mouillée ou glacée. Nous recommandons l'utilisation de deux piles fonctionnant simultanément. Ceci est utile pour atteindre la puissance de pointe de la souffleuse à neige. Une fois que la protection contre les hautes températures est en place, ralentissez votre vitesse de déneigement et réduisez la largeur de déblaiement pour réduire la charge sur la pile.

CONSEILS D'UTILISATION

⚠ DANGER : N'utilisez jamais une souffleuse à neige sur des rivières ou des lacs gelés, ou sur des surfaces similaires. Des blessures graves ou la mort pourraient survenir si la glace cède.

⚠ DANGER: N'utilisez jamais la souffleuse à neige sur un toit ou sur toute autre surface instable, car cela pourrait entraîner des blessures graves ou la mort.

⚠ AVERTISSEMENT : N'utilisez pas la souffleuse à neige sur une surface verglacée, car vous pourriez glisser et tomber, ce qui pourrait éventuellement vous causer des blessures graves.

⚠ AVERTISSEMENT : Ne portez pas de vêtements amples, de foulard ni de bijoux. Ceux-ci risquent d'être happés par des pièces mobiles et entraîner des blessures graves ou la mort.

⚠ AVERTISSEMENT : Dirigez la projection de la neige loin de tout appareil électrique afin de réduire les risques d'électrocution ou de choc électrique.

⚠ AVERTISSEMENT : Ne dirigez jamais la souffleuse à neige ou la goulotte vers des personnes ou des animaux. De la neige ou d'autres objets projetés peuvent causer des blessures graves.

⚠ AVERTISSEMENT : Assurez-vous que la surface à déneiger est exempte de pierres, de branches, de fils, de gravier et d'autres objets qui pourraient être accidentellement projetés par la souffleuse à neige dans n'importe quelle direction et causer de graves blessures à l'opérateur ou à d'autres personnes.

- Si la souffleuse entre en contact avec un type quelconque d'obstacles ou de débris pendant son utilisation, arrêtez la souffleuse à neige, retirez les blocs-piles, éliminez l'obstruction et inspectez soigneusement l'appareil avant de reprendre le déneigement.

⚠ AVERTISSEMENT : Ne touchez pas l'intérieur de la goulotte d'éjection et ne placez aucune partie de votre corps devant la souffleuse à neige quand celle-ci est en marche ou lorsque les blocs-piles sont installés. Assurez-vous toujours que toutes les pièces mobiles ont cessé de bouger et que les blocs-piles ont été retirés avant de débloquer toute obstruction. Le non-respect de ces instructions peut entraîner des blessures graves.

- Prenez note de la direction du vent avant de commencer. Lorsque cela est possible, projetez la neige dans le sens du vent pour empêcher qu'elle ne vous revienne dans le visage.
- Certaines pièces de la souffleuse à neige peuvent geler dans des conditions météorologiques extrêmes. Ne tentez pas de faire fonctionner cette souffleuse avec des pièces gelées.
- Lorsque vous avez terminé, laissez le moteur tourner pendant encore quelques minutes afin d'éviter que des pièces mobiles ne gèlent, puis déplacez la poignée de rotation de la goulotte plusieurs fois dans un mouvement de va-et-vient pour le dégager de toute accumulation de glace. Assurez-vous d'enlever toute la neige et toute la glace de la base de la goulotte.
- Dans des conditions froides et neigeuses, certaines commandes et certaines pièces mobiles peuvent geler. N'utilisez pas une force excessive lorsque vous essayez d'actionner des commandes gelées. Si vous avez de la difficulté à faire fonctionner des commandes ou des pièces, mettez la souffleuse en marche comme l'indique la section intitulée « **DÉMARRAGE ET ARRÊT DE LA SOUFFLEUSE À NEIGE** » et laissez-la tourner pendant quelques minutes.

ENTRETIEN

⚠ AVERTISSEMENT : Pour éviter des blessures graves, retirez toujours les blocs-piles avant de procéder à l'entretien ou au nettoyage de la souffleuse à neige.

⚠ AVERTISSEMENT : Lors de toute opération d'entretien, utilisez seulement des pièces de rechange identiques aux pièces d'origine. L'utilisation de toute autre pièce peut endommager la souffleuse ou être une source de danger. Pour en assurer la sûreté et la fiabilité, toute réparation doit être effectuée par un technicien qualifié.

AVIS : Inspectez périodiquement l'intégralité de la souffleuse pour y déceler des pièces endommagées, manquantes ou lâches telles que les vis, les écrous, les boulons, les capuchons, etc. Resserrez fermement toutes les fixations et tous les capuchons, et ne faites pas fonctionner la souffleuse tant que toutes les pièces manquantes ou endommagées n'ont pas été remplacées.

ENTRETIEN GÉNÉRAL

Évitez d'utiliser des solvants lorsque vous nettoyez des pièces en plastique. La plupart des plastiques peuvent être endommagés par divers types de solvants commerciaux. Utilisez des linges propres pour enlever les saletés, la poussière, l'huile, la graisse, etc.

⚠ AVERTISSEMENT : Ne laissez jamais du liquide de frein, de l'essence, des produits à base de pétrole, etc., entrer en contact avec les pièces en plastique. Les produits chimiques peuvent endommager, affaiblir ou détruire le plastique et entraîner ainsi des risques de blessures graves.

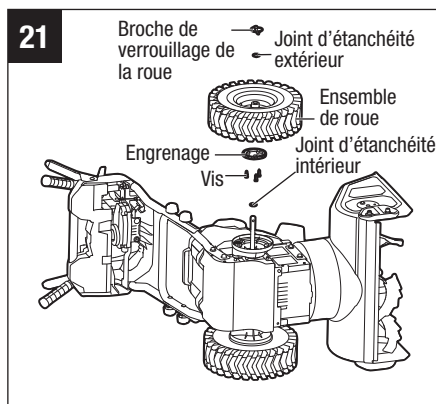
LUBRIFICATION DE LA SOUFFLEUSE

Tous les roulements de cette souffleuse sont lubrifiés au moyen d'un lubrifiant de première qualité et avec une quantité qui suffira pour la durée de vie de la souffleuse, si elle est utilisée dans des conditions normales. Par conséquent, aucune autre lubrification des roulements n'est nécessaire.

MONTAGE ET DÉTACHEMENT D'UNE ROUE

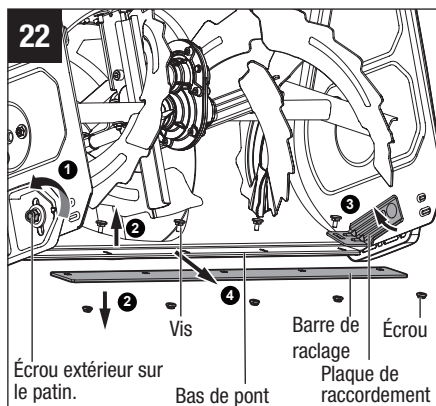
1. Retirez les blocs-piles.
2. Posez la souffleuse à neige sur son côté, tirez sur la broche de verrouillage de la roue afin de retirer le joint d'étanchéité extérieur et l'ensemble de roue. Laissez le joint d'étanchéité intérieur sur l'arbre des roues.

3. Desserrez et retirez les trois vis pour séparer l'engrenage de l'ensemble de roue. Conservez l'engrenage en vue du remontage (Fig. 21).
4. Remplacez la roue par une nouvelle roue.
5. Remontez l'engrenage, la nouvelle roue et le joint d'étanchéité extérieur dans l'ordre inverse. Verrouillez le tout avec la broche de verrouillage de la roue.



MONTAGE ET DÉMONTAGE DE LA BARRE DE RACLAGE (Fig. 22)

1. Retirez les piles de la souffleuse à neige.
2. Posez la souffleuse à neige sur le côté ou dans toute autre position pratique pour effectuer une opération de maintenance de la barre de raclage.
3. Desserrez l'écrou extérieur sur le patin juste assez pour permettre à la plaque de raccordement interne de tourner librement autour de la vis correspondante à l'intérieur (étape 1 illustrée).



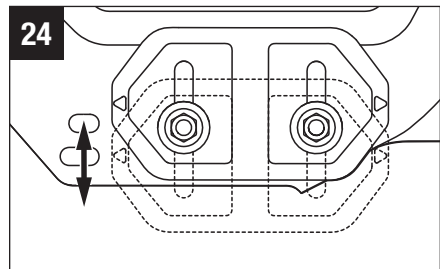
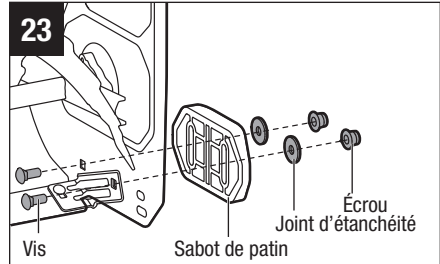
4. Desserrez la plaque de raccordement de l'autre côté de la même manière.
5. Desserrez et retirez les cinq écrous en bas du pont, ainsi que les cinq écrous à l'intérieur (étape 2 illustrée), et faites tourner la plaque de raccordement dans la direction de la chambre de la vis sans fin (étape 3 illustrée) pour afin de pouvoir détacher complètement la barre de raclage du pont (étape 4 illustrée).
6. Remplacez la barre de raclage usée par une barre neuve.
7. Pour effectuer le remontage, commencez par insérer la nouvelle barre de raclage entre la plaque de raccordement et le fond du pont. Faites tourner la plaque de raccordement jusqu'à ce que les trous dans la plaque de raccordement, au fond du pont et sur la barre de raccordement soient alignés. Après que les cinq trous auront été alignés, insérez les cinq vis dans les trous et sécurisez-les avec les cinq écrous à l'arrière.

8. Serrez à fond l'écrou extérieur sur le patin.

REPLACEMENT ET RÉGLAGE DES SABOTS DE PATINS

En présence de surfaces inégales ou de gravier, la hauteur des patins doit être ajustée pour augmenter la capacité de manœuvre de la souffleuse sur la neige.

1. Retirez les piles.
2. Desserrez et retirez les écrous, les joints d'étanchéité et le sabot de patin des vis (Fig. 23).
3. Remplacez le sabot de patin par un nouveau sabot, si besoin est.
4. La hauteur des sabots de patins peut être ajustée en fonction des conditions réelles de l'enneigement sans qu'il soit nécessaire de retirer complètement les écrous. Il suffit de les desserrer, d'ajuster la position du sabot et de les resserrer (Fig. 24).

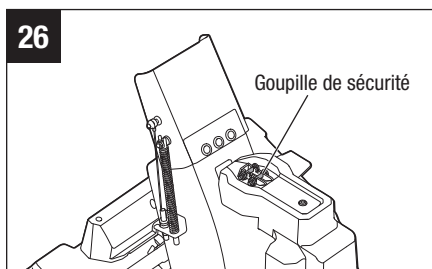
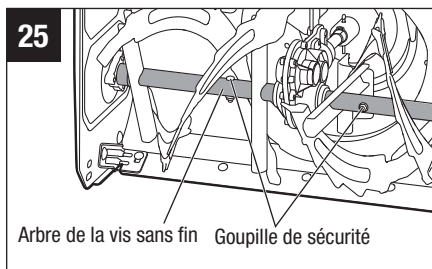


REPLACEMENT DE LA GOUPILLE DE SÉCURITÉ

Les goupilles de sécurité sont situées dans l'arbre de la vis sans fin. Elles aident à absorber le couple de calage instantané survenant lorsque la vis sans fin heurte un obstacle pendant le travail et à protéger la boîte à engrenages et le moteur contre les dommages.

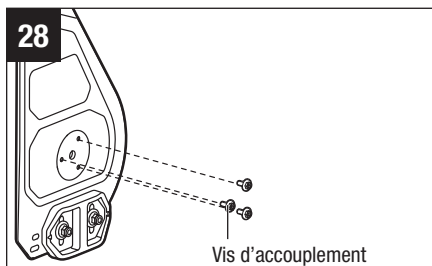
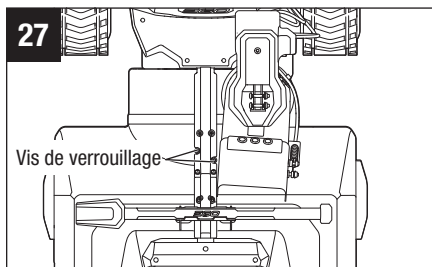
Pour remplacer une goupille de sécurité, retirez les piles, retirez la goupille de sécurité cassée de l'arbre de la vis sans fin et remplacez-la avec de nouveaux boulons.

AVIS : Deux goupilles de sécurité supplémentaires sont stockées sur l'ensemble de goulotte. Remplacez la goupille par une nouvelle goupille si la goupille d'origine est cassée (Fig. 26).



REPLACEMENT DE LA VIS SANS FIN

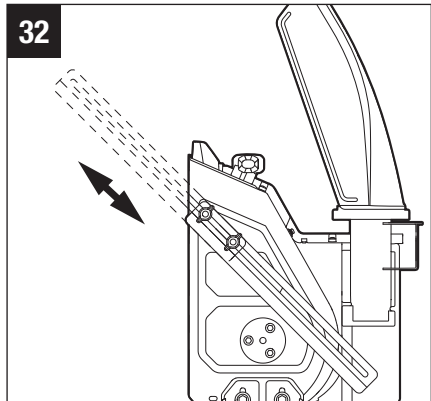
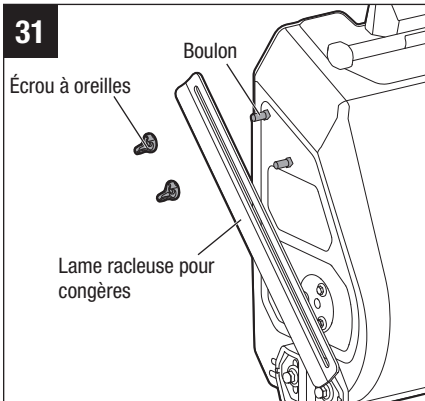
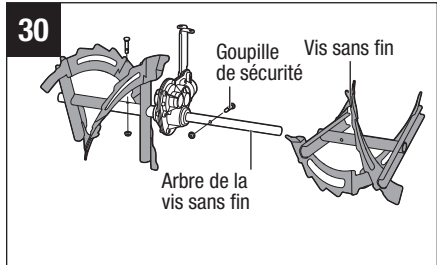
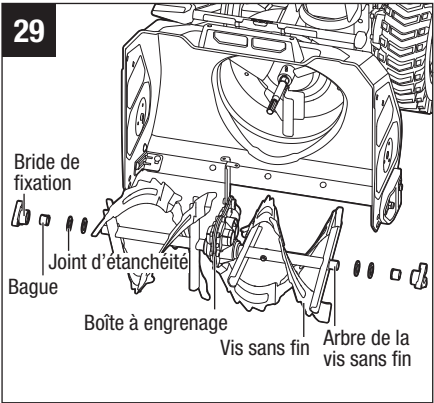
1. Retirez les piles.
2. Retirez les deux vis de verrouillage sur le dessus du plateau (Fig. 27).
3. Retirez les trois vis d'accouplement à gauche et à droite du plateau (Fig. 28).



4. Retirez l'ensemble de vis sans fin et de boîte à engrenages du plateau. Puis retirez la bride de fixation, la bague et le joint d'étanchéité de l'arbre de la vis sans fin (Fig. 29).
5. Retirez les boulons de cisaillement de gauche et de droite, et séparez les vis sans fin de l'arbre de vis sans fin (Fig. 30).
6. Remplacez la vis sans fin usagée et remontez dans l'ordre inverse.

MONTAGE ET DÉTACHEMENT DES LAMES RACLEUSES POUR CONGÈRES (DISPONIBLES ET VENDUES SÉPARÉMENT)

1. Retirez les piles.
2. Insérez les deux boulons dans le plateau et montez la lame racleuse et les écrous à oreilles sur les boulons. Serrez au préalable les écrous à oreilles mais ne serrez pas trop la lame racleuse afin de permettre son réglage ultérieurement (Fig. 31).
3. Mettez les lames racleuses dans les positions désirées (Fig. 32).
4. Serrez les écrous à oreilles pour sécuriser les lames racleuses pour congères.



RANGEMENT DE LA SOUFFLEUSE À NEIGE

⚠ ATTENTION : Assurez-vous que toute la neige qui pourrait fondre et couler de la souffleuse à neige est bien essuyée pour prévenir les risques de chutes et d'accidents.

- Retirez le ou les blocs-piles, et rangez-les dans un endroit sécuritaire, hors de portée des enfants.

REMARQUE : Lorsqu'il n'est pas utilisé, un bloc-piles de 56 V doit être rangé dans un endroit fermé où la température ne descend pas en dessous de -20° C (-4° F). Les températures optimales de charge se situent entre 5° C et 40° C (41° F et 104° F).

Avant de ranger la souffleuse, essuyez toute humidité, toutes saletés ou tous débris de la zone des blocs-piles.

- Essuyez la souffleuse à neige à l'aide d'un linge propre et sec.
- Vérifiez tous les écrous, boulons, boutons, vis, etc. afin de vous assurer qu'ils sont serrés.
- Inspectez les pièces mobiles pour repérer les signes de dommages, de bris et d'usure. Faites réparer les pièces endommagées ou remplacez les pièces manquantes.
- Rangez la souffleuse à neige dans un endroit propre, sec et fermé, hors de la portée des enfants.
- Ne rangez pas l'appareil près de substances corrosives comme des fertilisants ou du sel gemme.

DÉPANNAGE

⚠ AVERTISSEMENT : Retirez toujours le ou les blocs-piles avant de réparer ou de transporter la souffleuse à neige. Protégez toujours vos mains en portant des gants épais lorsque vous procédez à tout entretien de la vis sans fin ou de la barre de raclage de la souffleuse à neige.

PROBLÈME	CAUSE	SOLUTION
La souffleuse à neige ne démarre pas.	<ul style="list-style-type: none"> ■ La charge de la pile est faible. ■ La gâchette de l'interrupteur de la vis sans fin n'est pas enfoncée au moment où le voyant à DEL clignote en vert. ■ La vis sans fin est gelée par de la neige ou de la glace. ■ Surchauffe de la pile. Le voyant à DEL sur la pile clignote en orange ou brille en rouge. Voir la rubrique « PROTECTION DU BLOC-PILES CONTRE UNE SURCHAUFFE » dans ce guide) 	<ul style="list-style-type: none"> ■ Chargez la pile. ■ Appuyez sur la gâchette de l'interrupteur de la vis sans fin lorsque le voyant à DEL clignote. Si le voyant à DEL cesse de clignoter, la souffleuse à neige ne répondra pas à l'enfoncement de la gâchette de l'interrupteur de la vis sans fin. ■ Retirez d'abord le(s) bloc(s)-piles, puis utilisez l'outil de nettoyage de la goulotte fourni pour dégager la neige ou la glace qui obstrue la vis sans fin. Remettez ensuite la souffleuse à neige en marche. ■ Retirez la pile en état de surchauffe de la souffleuse à neige et attendez que le bloc-piles refroidisse jusqu'à environ 67° C / 152° F, puis réinstallez la pile et remettez la souffleuse à neige en marche.
Le moteur tourne, mais la vis sans fin ne tourne pas.	<ul style="list-style-type: none"> ■ La goupille de sécurité est cassée. 	<ul style="list-style-type: none"> ■ Remplacez la goupille de sécurité en suivant les instructions de la rubrique « REMPLACEMENT DE LA GOUPILLE DE SÉCURITÉ » dans ce guide.

PROBLÈME	CAUSE	SOLUTION
Le bouton d'éclairage à DEL ne réagit pas au premier enfoncement.	<ul style="list-style-type: none"> Le processus d'autocontrôle interne cause un léger retard dans la réponse à la première frappe. 	<ul style="list-style-type: none"> Appuyez sur le bouton d'éclairage à DEL et maintenez-le enfoncé pendant une seconde.
Le voyant à DEL sur la pile reste allumé après l'arrêt du fonctionnement de la vis sans fin de la souffleuse à neige ou après la désactivation du système d'autopropulsion.	<ul style="list-style-type: none"> Le circuit électrique est en mode d'attente pour la remise en marche suivante. La DEL s'éteindra automatiquement si la soufflante à neige n'est pas utilisée au cours des 5 à 10 minutes qui suivent. 	<ul style="list-style-type: none"> Laissez-le ou retirez les piles du compartiment des piles.

ACCESSOIRES

⚠ AVERTISSEMENT: Les pièces suivantes sont sujettes à l'usure dans des conditions d'utilisation normale. Utilisez seulement les pièces de rechange identiques énumérées ci-dessous. L'utilisation de pièces qui ne respectent pas les caractéristiques de l'équipement d'origine peut entraîner un mauvais rendement et compromettre la sécurité de la souffleuse.

NOM DE LA PIÈCE	NUMÉRO DE MODÈLE
Goupille de sécurité	ASP2400
Jeu de goupilles de sécurité	ASP2400D
Vis sans fin de la souffleuse (gauche)	ASG2400L
Vis sans fin de la souffleuse (droite)	ASG2400R
Roue de souffleuse (gauche)	AW2400L
Roue de souffleuse (droite)	AW2400R
Sabots de patins (paire)	AKS2400D
Outil de nettoyage de la goulotte	ACT2400
Lames racleuses pour congères	ADC2400

GARANTIE

POLITIQUE D'EGO EN MATIÈRE DE GARANTIE

Garantie limitée de 5 ans sur les équipements d'alimentation électrique d'extérieur EGO POWER+ et les équipements d'alimentation électrique portable pour un usage personnel et domestique.

Garantie limitée de 3 ans sur les blocs-piles et chargeurs du système EGO POWER+ pour un usage personnel et domestique. Une extension de garantie supplémentaire de deux ans s'applique à la pile de 10,0 Ah/12,0 Ah, qu'elle soit vendue séparément (Modèle N° BA5600T/BA6720T) ou incluse avec un outil quelconque, à condition d'être enregistrée dans les 90 jours de l'achat. Garantie limitée de cinq ans sur le chargeur CHV1600, conçu pour être employé avec la tondeuse à conducteur porté à rayon de braquage zéro pour utilisation personnelle, résidentielle.

Garantie limitée de 2 ans/1 an sur les équipements d'alimentation électrique d'extérieur, les équipements d'alimentation électrique portables, les blocs-piles et les chargeurs EGO pour un usage professionnel et commercial.

La durée et les détails de la garantie de chaque produit sont indiqués en ligne à l'adresse <http://egopowerplus.com/pages/warranty-policy>.

Veillez communiquer avec le service à la clientèle d'EGO au 1 855 EGO-5656 (numéro sans frais) pour toute question sur les réclamations au titre de la garantie.

GARANTIE LIMITÉE

Les produits EGO sont garantis contre tout défaut de matériel ou de fabrication à compter de la date d'achat d'origine pour la période de garantie applicable. Les produits défectueux recevront une réparation gratuite.

- a) Cette garantie s'applique uniquement à l'acheteur initial s'étant procuré le produit chez un détaillant EGO autorisé et est non transférable. La liste des détaillants EGO autorisés est publiée en ligne sur le site <http://egopowerplus.com/pages/warranty-policy>.
- b) La période de garantie pour les produits remis en état ou certifiés par l'usine utilisés à des fins résidentielles est de 1 an, et de 90 jours lorsqu'ils sont utilisés à des fins industrielles, professionnelles ou commerciales.
- c) La période de garantie pour les pièces d'entretien régulier, y compris, sans s'y limiter, les lames, les têtes de taille-bordure, les guides-chaînes, les chaînes de scie, les courroies, les barres de raclage, les buses de souffleur, ainsi que tous les autres accessoires EGO, est de 90 jours lorsqu'elles sont utilisées à des fins résidentielles et de 30 jours lorsqu'elles sont utilisées à des fins industrielles, professionnelles ou commerciales. Ces pièces sont couvertes contre les défauts de fabrication pour une période de 90 jours ou de 30 jours si elles sont utilisées dans des conditions de travail normales.

- d) La présente garantie n'est pas valide si le produit a été utilisé aux fins de location.
- e) La présente garantie ne couvre pas les dommages résultant d'une modification, d'une altération ou d'une réparation non autorisée.
- f) Cette garantie couvre uniquement les défauts survenant dans des conditions normales d'utilisation et ne couvre aucun dysfonctionnement ou défaut ni aucune défaillance découlant d'un usage inapproprié ou abusif (notamment la surcharge du produit et son immersion dans l'eau ou dans tout autre liquide), d'un accident, d'une négligence, d'une installation inadéquate et de tout entretien ou entreposage inadéquat.
- g) La présente garantie ne couvre pas la détérioration normale du fini extérieur, notamment les rayures, les bosselures, les craquelures de la peinture ou toute corrosion ou décoloration résultant de la chaleur, de produits abrasifs ou de nettoyeurs chimiques.

RÉCLAMATION AU TITRE DE LA GARANTIE

Pour faire une réclamation au titre de la garantie, veuillez communiquer avec le service à la clientèle d'EGO au **1 855 EGO-5656** (numéro sans frais). Lorsque vous faites une réclamation au titre de la garantie, vous devez présenter le reçu de vente original. Un centre de service autorisé sera sélectionné pour la réparation du produit conformément aux conditions de garantie prescrites. Il se peut qu'un petit dépôt soit exigé lorsque vous laissez votre outil dans un centre de service autorisé. Ce dépôt est remboursable lorsque le service de réparation est considéré comme étant couvert par la garantie.

RESTRICTIONS SUPPLÉMENTAIRES

Dans la mesure permise par la loi en vigueur, toutes les garanties implicites, y compris les garanties de QUALITÉ MARCHANDE ou D'ADÉQUATION À UN USAGE PARTICULIER, sont exclues. Toute garantie implicite, y compris la garantie de qualité marchande ou d'adéquation à un usage particulier, qui ne peut être rejetée en vertu de la loi de l'État ou de la province est limitée à la période de garantie applicable définie au début de cet article.

Chervon North America n'est pas responsable des dommages accessoires, consécutifs, indirects ou directs.

Certaines provinces n'autorisent pas les restrictions de durée de garantie implicite, ou l'exclusion ou la restriction des dommages consécutifs et accessoires; c'est pourquoi les restrictions ci-dessus peuvent ne pas s'appliquer à votre cas.

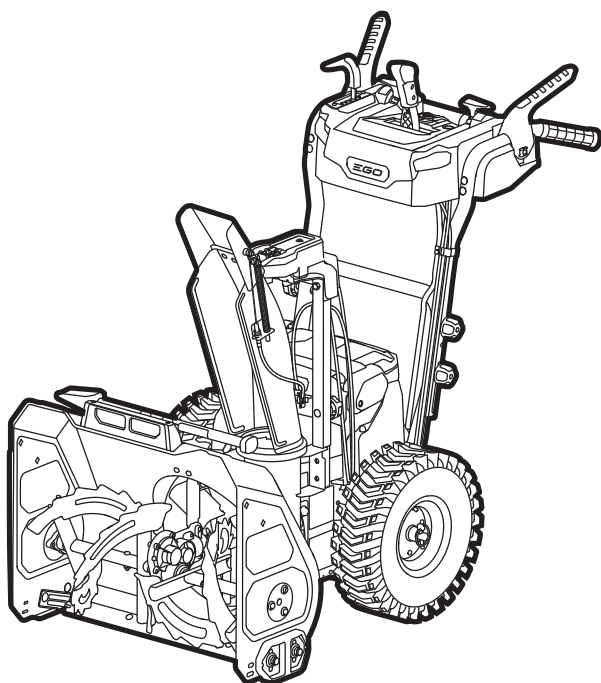
Cette garantie vous confère des droits précis. Il est possible que vous disposiez également d'autres droits, qui varient d'une province à l'autre.

Pour communiquer avec le service à la clientèle, veuillez composer le numéro sans frais suivant : **1 855 EGO-5656** ou consulter le site Web **EGOPOWERPLUS.COM**.

EGO Customer Service, 769 SEWARD AVE NW / Suite 102 Grand Rapids, MI 49504, États-Unis.

EGO™

POWER⁺ SNOW BLOWER



MANUAL DE FUNCIONAMIENTO
**SOPLADOR DE NIEVE
INALÁMBRICO
DE ION LITIO DE 56 V**
NÚMERO DE MODELO SNT2400/SNT2400-FC

⚠ ADVERTENCIA: Para reducir el riesgo de lesiones, el usuario debe leer y comprender el Manual del usuario antes de usar este producto. Guarde estas instrucciones para referencia futura.

ÍNDICE

Símbolos de seguridad	82
Instrucciones de seguridad	83-84
Prácticas de utilización segura para el soplador de nieve de empuje	84-88
Introducción	89
Especificaciones	89
Descripción	90-92
Ensamblaje	93-95
Funcionamiento	96-107
Mantenimiento	108-113
Solución de problemas	114-115
Garantía	116-118

LEA TODAS LAS INSTRUCCIONES



**LEA Y COMPRENDA
EL MANUAL DEL OPERADOR**

⚠ ADVERTENCIA: parte del polvo que se crea al usar herramientas eléctricas contiene sustancias químicas que el estado de California ha identificado como causantes de cáncer y defectos congénitos u otros daños en el aparato reproductivo. Algunos ejemplos de estos químicos son:

- Plomo de pinturas a base de plomo.
- Sílice cristalina de ladrillos, cemento y otros productos de mampostería.
- Arsénico y cromo de maderas tratadas químicamente.

El riesgo por estas exposiciones varía según la frecuencia con la que realice este tipo de trabajo. Medidas para reducir la exposición a estos químicos: trabaje en un área bien ventilada y con el equipo de seguridad aprobado, como mascarillas antipolvo especialmente diseñadas para filtrar partículas microscópicas.

SÍMBOLOS DE SEGURIDAD

Estos símbolos de seguridad se utilizan para advertirle sobre los posibles peligros. Los símbolos de seguridad y las explicaciones que los acompañan merecen cuidadosa atención y comprensión. Por sí solos, los símbolos de advertencia no eliminan los peligros. Las instrucciones y advertencias que proporcionan no reemplazan a las medidas adecuadas de prevención de accidentes.

⚠ ADVERTENCIA: antes de utilizar esta herramienta, asegúrese de leer y comprender todas las instrucciones de seguridad en este Manual del usuario, incluidos todos los símbolos de alerta de seguridad como “**PELIGRO**”, “**ADVERTENCIA**” y “**PRECAUCIÓN**”. Si no se siguen todas las instrucciones que se indican a continuación, se pueden producir descargas eléctricas, incendios o lesiones personales graves.

SIGNIFICADO DEL SÍMBOLO

⚠ SÍMBOLO DE ADVERTENCIA DE SEGURIDAD: indica **PELIGRO**, **ADVERTENCIA** o **PRECAUCIÓN**. Puede usarse junto con otros símbolos o pictogramas.



⚠ ADVERTENCIA: el funcionamiento de cualquier herramienta eléctrica puede causar que se disparen objetos extraños hacia sus ojos, lo que puede resultar en daños graves en los ojos. Antes de comenzar a operar una herramienta eléctrica, use siempre gafas protectoras o anteojos de seguridad con protección lateral y un protector facial si es necesario. Le recomendamos usar una máscara de seguridad de visión amplia sobre anteojos o anteojos de seguridad estándar con protección lateral. Use siempre protección ocular con la marca de cumplimiento de la norma ANSI Z87.1.

INSTRUCCIONES DE SEGURIDAD

Esta página presenta y describe los símbolos de seguridad que pueden aparecer en este producto. Lea, comprenda y siga todas las instrucciones que figuran en la máquina antes de intentar ensamblarla y operarla.

	<p>Alerta de seguridad</p>	<p>Precauciones que involucran su seguridad.</p>
	<p>Protección de los ojos</p>	<p>Use siempre anteojos de seguridad o gafas de seguridad con escudos laterales y una careta completa cuando utilice este producto.</p>
	<p>Lea el Manual del usuario</p>	<p>Para reducir el riesgo de lesiones, el usuario debe leer y comprender el Manual del operador antes de utilizar este producto.</p>
	<p>PELIGRO: mantenga las manos alejadas del impulsor</p>	<p>No utilice las manos para desobstruir el conducto de descarga.</p>
	<p>Mantenga los pies fuera del impulsor</p>	<p>Mantenga los pies alejados del impulsor rotatorio</p>
	<p>PELIGRO: mantenga las manos y los pies alejados</p>	<p>Para reducir el riesgo de lesiones, mantenga las manos y los pies alejados de las piezas que rotan. No utilice la unidad a menos que el conducto de descarga este en la posición correcta. Si dicho conducto está dañado, reemplácelo de inmediato.</p>
	<p>Símbolos de reciclaje</p>	<p>Este producto utiliza baterías de iones de litio. Las leyes locales, estatales o federales podrían prohibir la eliminación de baterías en basureros comunes. Consulte con la autoridad reguladora de desechos local para obtener información sobre las opciones de reciclaje o eliminación disponibles.</p>

IPX4	Grado de protección contra la penetración	Protección contra las salpicaduras de agua
V	Voltio	Tensión
— — —	Corriente continua	Tipo o característica de la corriente
cm	Centímetro	Largo o tamaño
in.	Pulgadas	Largo o tamaño
Ft.	pies	Largo o tamaño
kg	Kilogramos	Peso
lb	Libras	Peso

⚠ ADVERTENCIA: para garantizar la seguridad y la confiabilidad, todas las reparaciones deberán ser realizadas por un técnico de servicio calificado.

PRÁCTICAS DE UTILIZACIÓN SEGURA PARA EL SOPLADOR DE NIEVE DE EMPUJE

⚠ PELIGRO: este soplador de nieve es capaz de amputar las manos y los pies y lanzar objetos al aire. Si no se siguen las siguientes instrucciones de seguridad, el resultado podría ser lesiones graves.

PARA TODOS LOS SOPLADORES DE NIEVE

- No utilice el soplador de nieve en una superficie con grava, a menos que el soplador de nieve esté ajustado para una superficie de ese tipo de acuerdo con el manual del operador.
- Mantenga alejados a los niños: todos los visitantes se deberán mantener a una distancia segura del área de trabajo.
- Vístase adecuadamente: no use ropa holgada ni joyas. Pueden quedar atrapadas en las piezas móviles.
- Use botas de goma cuando utilice el soplador de nieve.
- Mantenga las manos alejadas de las piezas móviles.

- Mantenga los protectores instalados en la posición correcta y en buenas condiciones de funcionamiento.
- No fuerce el soplador de nieve: brindará un rendimiento mejor y más seguro a la velocidad para la que fue diseñada.
- No intente alcanzar demasiado lejos: mantenga un apoyo de los pies y un equilibrio adecuados en todo momento.
- Si el soplador de nieve golpea un objeto extraño, siga estos pasos:
 - 1) Pare el soplador de nieve. Suelte el interruptor.
 - 2) Retire el paquete o los paquetes de batería.
 - 3) Inspeccione la unidad para comprobar si tiene algún daño.
 - 4) Repare cualquier daño antes de rearrancar y utilizar el soplador de nieve.
- Almacene los sopladores de nieve inactivos en un lugar interior: cuando no se estén utilizando, los sopladores de nieve se deberán almacenar en un lugar interior, seco y cerrado con llave, fuera del alcance de los niños.
- Realice mantenimiento de los sopladores de nieve con cuidado: siguiendo las instrucciones de lubricación y cambio de accesorios.

CAPACITACIÓN

- Lea, entienda y siga todas las instrucciones ubicadas en la máquina y contenidas en el manual (o los manuales) antes de utilizar esta unidad. Esté bien familiarizado con los controles y el uso correcto del equipo. Sepa cómo parar la unidad y desacoplar los controles rápidamente.
- No deje nunca que los niños utilicen el equipo. No deje nunca que los adultos utilicen el equipo sin haber recibido capacitación adecuada.
- Mantenga el área de utilización despejada de todas las personas, en particular de niños pequeños.
- Tenga precaución para evitar resbalar o caerse, especialmente cuando utilice el soplador de nieve en reversa.

PREPARACIÓN

- Inspeccione minuciosamente el área en la que se vaya a utilizar el equipo y retire todos los tapetes de entrada, trineos, tablas, cables y otros objetos extraños.
- No utilice el equipo sin usar prendas de invierno adecuadas. Evite la ropa holgada que pueda quedar atrapada en las piezas móviles. Use calzado que mejore el apoyo de los pies en superficies resbalosas.

- No intente nunca hacer ajustes mientras el motor esté en funcionamiento (excepto cuando esté recomendado específicamente por el fabricante).
- Use siempre gafas de seguridad o protectores de los ojos durante la utilización o mientras esté realizando un ajuste o una reparación, para proteger los ojos contra los objetos extraños que puedan ser lanzados al aire desde la máquina.

UTILIZACIÓN

- Prevenga los arranques accidentales. Asegúrese de que el interruptor esté en la posición de apagado antes de conectar el electrodoméstico al paquete de batería, levantarlo o transportarlo. Si se transporta el electrodoméstico con el dedo en el interruptor o si se suministra corriente a un electrodoméstico que tenga el interruptor en la posición de encendido se invita a que se produzcan accidentes.
- No ponga las manos ni los pies cerca ni debajo de las piezas que rotan. Manténgase alejado de la abertura del descargador en todo momento.
- Tenga precaución extrema cuando utilice el soplador de nieve en entradas de garaje, caminos o carreteras de grava. Esté alerta a obstáculos ocultos o tráfico.
- Después de golpear un objeto extraño, pare el motor, retire el paquete o los paquetes de batería, inspeccione minuciosamente el soplador de nieve para determinar si tiene algún daño y repare el daño antes de rearmar y utilizar el soplador de nieve.
- Si la unidad comienza a vibrar anormalmente, pare el motor y realice una comprobación inmediata para localizar la causa. Generalmente, la vibración es una advertencia de problemas.
- Para el motor siempre que deje la posición de utilización, antes de desobstruir la carcasa del ensamble de la barrena o el conducto de descarga, y cuando realice cualquier reparación, ajuste o inspección.
- Cuando desobstruya, repare o inspeccione el soplador de nieve, pare el motor y asegúrese de que el ensamble de la barrena y todas las piezas móviles se hayan detenido. Retire el paquete o los paquetes de batería para impedir que alguien arranque accidentalmente el motor.
- Tenga precaución extrema cuando utilice la unidad en pendientes.
- No utilice nunca el soplador de nieve sin los protectores adecuados y otros dispositivos protectores de seguridad instalados en la posición correcta y en buenas condiciones de funcionamiento.
- No dirija nunca la descarga hacia personas ni hacia áreas donde puedan ocurrir daños materiales. Mantenga alejados a los niños y a las demás personas.

- No sobrecargue la capacidad de la máquina intentando despejar la nieve a una velocidad demasiado rápida.
- Desconecte la alimentación eléctrica al ensamble de la barrena cuando el soplador de nieve se esté transportando o no se esté utilizando.
- Utilice solo aditamentos y accesorios aprobados por el fabricante del soplador de nieve (tales como una barra raspadora).
- No utilice nunca el soplador de nieve sin buena visibilidad o sin buena luz. Esté siempre seguro del apoyo de los pies y mantenga un agarre firme en las manijas. Camine; no corra nunca.
- No exponga un paquete de batería o una herramienta a un fuego o a una temperatura excesiva. Es posible que la exposición a un fuego o a una temperatura superior a 212 °F (100 °C) cause una explosión.
- Utilice la unidad solo con los paquetes de batería y los cargadores que se indican en la lista que aparece a continuación:

PAQUETE DE BATERÍA	CARGADOR
BA1400, BA1400-FC, BA2800, BA2800-FC, BA4200, BA4200-FC, BA1400T, BA1400T-FC, BA2240T, BA2240T-FC, BA2242T, BA2242T-FC, BA2800T, BA2800T-FC, BA4200T, BA4200T-FC, BA5600T, BA5600T-FC, BA6720T, BA6720T-FC	CH2100, CH2100-FC, CH3200, CH3200-FC, CH5500, CH5500-FC, CH2800D, CH2800D-FC, CH7000, CH7000-FC

AVISO: para obtener el mejor rendimiento, se recomienda para utilizarse con dos baterías de 5,0 Ah o más.

DESPEJE DE UN CONDUCTO DE DESCARGA QUE SE OBSTRUYE

El contacto de la mano con el ensamble de la barrena que rota dentro del conducto de descarga es la causa más común de lesiones asociadas con los sopladores de nieve. No utilice nunca la mano para limpiar el conducto de descarga.

Para despejar el conducto de descarga

- **¡APAGUE EL MOTOR!**
- Retire el paquete o los paquetes de batería del soplador de nieve.
- Espere 10 segundos para asegurarse de que la barrena haya dejado de rotar.
- Utilice siempre la herramienta de limpieza del conducto de descarga que está acoplada a la máquina como accesorio, no utilice la mano.

MANTENIMIENTO Y ALMACENAMIENTO

- Compruebe todos los pernos o sujetadores a intervalos frecuentes para determinar si están apretados correctamente, con el fin de asegurarse de que el equipo esté en condiciones de funcionamiento seguras.
- Consulte siempre el manual del operador para obtener detalles importantes si el soplador de nieve se va a almacenar por un período de tiempo prolongado.
- Mantenga o reemplace las etiquetas de seguridad e instrucciones, según sea necesario.
- Deje en funcionamiento la máquina durante unos minutos después de soplar nieve para prevenir la congelación del ensamble de la barrena.

GUARDE ESTAS INSTRUCCIONES. Consúltelas frecuentemente y utilícelas para instruir a otras personas que puedan utilizar esta herramienta. Si le presta esta herramienta a otra persona, préstele también estas instrucciones para prevenir un uso incorrecto del producto y posibles lesiones.

INTRODUCCIÓN

Felicitaciones por la compra de su soplador de nieve de nueva generación con baterías de litio ion de 56 voltios. Ha sido concebido, diseñado y fabricado para brindarle una confiabilidad y un rendimiento máximos.

Si experimenta algún problema que no puede solucionar fácilmente, llame al 1-855-EGO-5656 para ponerse en contacto con el Centro de Servicio al Cliente de EGO.

Este manual contiene información importante para ensamblar, usar y efectuar el mantenimiento del soplador de nieve de forma segura. Léalo atentamente antes de usar la herramienta. Téngalo a mano para poder consultarlo cuando sea necesario.

NÚMERO DE SERIE _____ FECHA DE COMPRA _____

LOS NÚMEROS DE MODELO Y DE SERIE SE ENCUENTRAN EN UNA ETIQUETA UBICADA EN LA CARCASA DEL ENSAMBLE DE BARRENA.

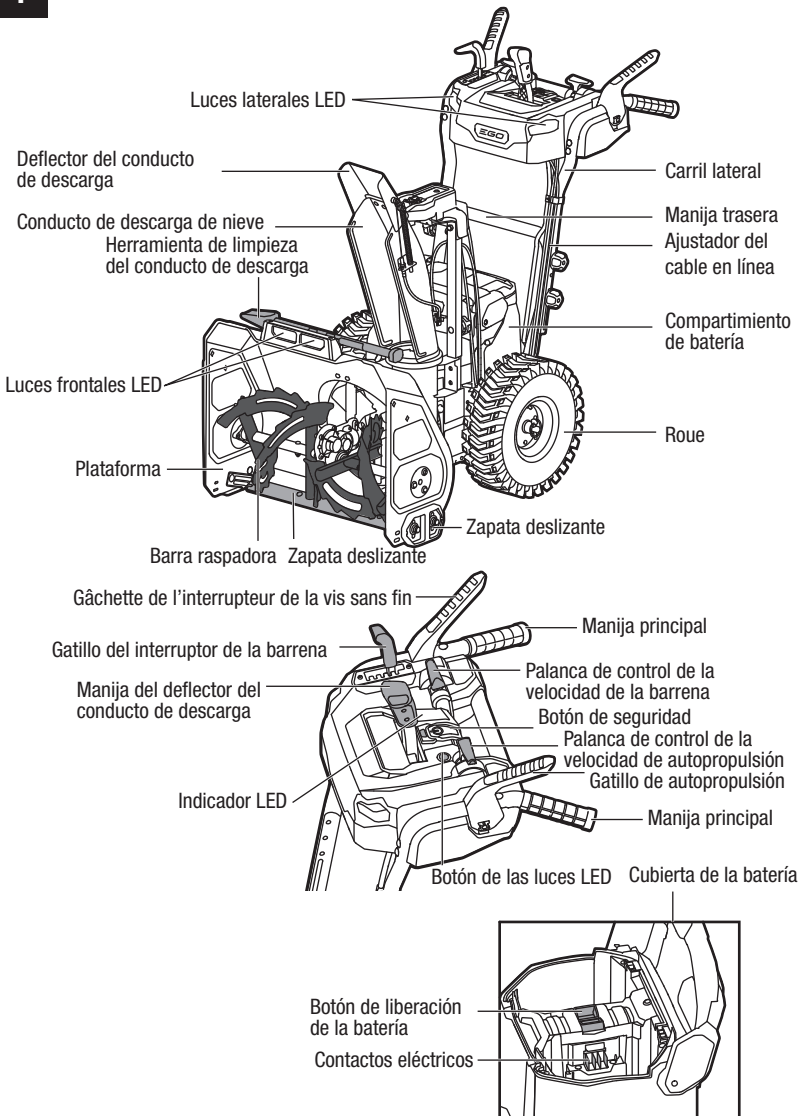
ANOTE EL NÚMERO DE SERIE Y LA FECHA DE COMPRA Y GUARDE ESTOS DATOS EN UN LUGAR SEGURO PARA CONSULTARLOS EN CASO DE QUE SEA NECESARIO. CONSERVE EL RECIBO DE VENTA.

ESPECIFICACIONES

Voltaje	56 V CC
Anchura de despeje	24 pulgadas
Altura de la entrada	20 pulgadas
Distancia de lanzamiento	Hasta 50 pies
Tamaño de las ruedas	15 pulgadas
Temperatura de funcionamiento	-4°F-50°F(-20°C-10°C)
Temperatura de almacenamiento	-4°F-158°F(-20°C-70°C)
Peso del soplador de nieve (sin paquete de batería)	65 kg / 143.3 lbs

DESCRIPCIÓN

1



⚠ ADVERTENCIA: el uso seguro de este producto requiere un entendimiento de la información ubicada en la herramienta y contenida en este manual del operador, así como un conocimiento del proyecto que usted esté intentando realizar. Antes de usar este producto, familiarícese con todas las características de utilización y todas las normas de seguridad.

Botón de seguridad

El botón de seguridad se debe presionar antes de que se pueda arrancar el motor.

⚠ ADVERTENCIA: el botón de seguridad es un dispositivo de seguridad. No intente nunca anular su funcionamiento.

Gatillo del interruptor de la barrena

Acopla y desacopla el motor. Puede estar en funcionamiento después de presionar el botón de seguridad.

Palanca de control de la velocidad de la barrena

Ajusta la velocidad de la barrena para ajustar la distancia de lanzamiento.

Gatillo de autopropulsión

ENCIENDE y APAGA la función de autopropulsión.

Palanca de control de la velocidad de autopropulsión

Aumenta o reduce la velocidad de autopropulsión.

Manija de rotación del conducto de descarga

Rota el conducto de descarga para que el usuario pueda dirigir la nieve descargada según lo desee. La manija permite que el conducto de descarga rote de 100° a la izquierda a 100° a la derecha.

Manija del deflector del conducto de descarga

Ajusta el ángulo del deflector del conducto de descarga y la altura del chorro de descarga.

Luces frontales/laterales LED

Esta característica proporciona luz adicional para brindar una mayor visibilidad.

Botón de las luces LED

Enciende y apaga las luces frontales y laterales LED.

Indicador LED

Indica el estado del soplador de nieve y del paquete de batería.

Barra raspadora

Retira la última porción de nieve de la superficie que se esté despejando.

Zapata deslizante

Aumenta la capacidad para maniobrar el soplador de nieve sobre la nieve y ajusta la distancia entre el raspador de nieve y el terreno.

Botón de liberación de la batería

Presiónelo para liberar rápidamente la batería.

Ajustador del cable en línea

Afloje o apriete el conducto de descarga de nieve

ENSAMBLAJE

⚠ ADVERTENCIA: para prevenir arranques accidentales que podrían causar lesiones corporales graves, retire siempre el paquete o los paquetes de batería de la herramienta cuando vaya a ensamblar piezas.

⚠ ADVERTENCIA: si hay piezas dañadas o faltan piezas, no utilice el producto hasta que las reemplace. Usar este producto con piezas dañadas o faltantes podría provocar lesiones personales graves.

⚠ ADVERTENCIA: No intente modificar este producto ni crear accesorios que no sean recomendados para utilizar con este producto. Cualquier alteración o modificación se considera un uso inapropiado y podría generar una condición peligrosa y provocar lesiones personales graves.

RETIRO DEL EMPAQUE

- Utilice dos personas para agarrar la manija trasera y la parte delantera del producto al mismo tiempo y levantar cuidadosamente la herramienta para sacarla de la caja de cartón. Saque todos los demás accesorios de la caja de cartón. Asegúrese de que todos los artículos indicados en la lista de empaque estén incluidos.



⚠ PRECAUCIÓN: objeto pesado. Se requiere levantarlo en equipo. Se necesitan al menos dos personas para levantar este soplador de nieve para sacarlo del embalaje.

⚠ ADVERTENCIA: no utilice este producto si cualquiera de las piezas de la lista de empaque ya está ensamblada en el producto cuando lo desempaque. Las piezas incluidas en esta lista no son ensambladas en el producto por el fabricante y requieren instalación por el cliente. El uso de un producto que pueda haber sido ensamblado incorrectamente podría causar lesiones corporales graves.

- Inspeccione cuidadosamente la herramienta para asegurarse de que no se produjo ninguna ruptura o daño durante su envío.
- No deseche el material de embalaje hasta que haya inspeccionado cuidadosamente y utilizado satisfactoriamente la herramienta.
- Si hay piezas faltantes o dañadas, devuelva este producto al lugar donde lo compró.

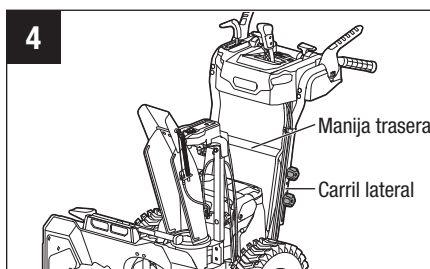
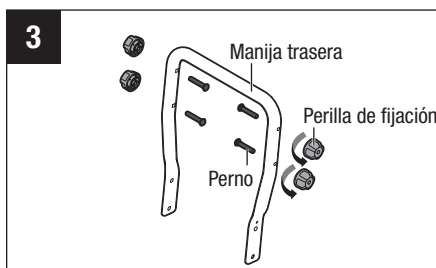
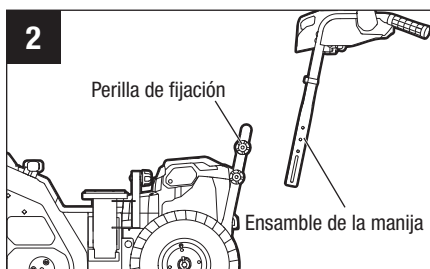
LISTA DE CONTENIDO

NOMBRE DE LA PIEZA	CANTIDAD
Soplador de nieve	1
Ensamble del conducto de descarga de nieve	1
Ensamble de la manija	1
Manual del operador	1
Herramienta de limpieza del conducto de descarga	1
Perno de cizalla	2

PARA INSTALAR EL CONJUNTO DE LA MANIJA

AVISO: El ensamblaje del mango requiere ensamblaje antes de operar el quitanieves (Fig.2).

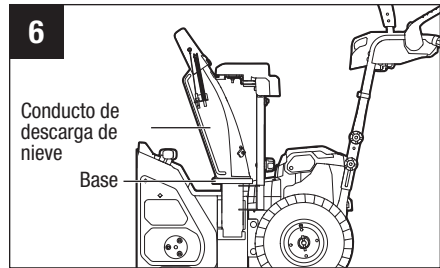
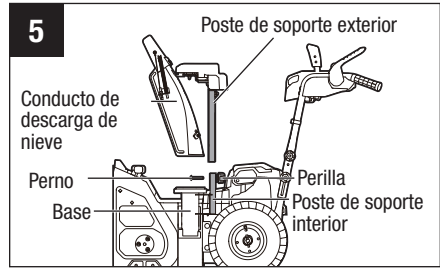
1. Afloje las cuatro perillas de fijación y retire los cuatro pernos de la manija trasera (Fig. 3).
2. Levante el ensamble de la manija, alinee los agujeros ubicados en los carriles laterales con los agujeros ubicados en la manija trasera, seleccione la altura preferida de la manija y luego fije el ensamble de la manija con los pernos y las perillas de fijación (Fig. 4). Sírvase consultar la sección **"AJUSTE DE LA ALTURA DE LA MANIJA"** para obtener instrucciones de ajuste detalladas.



PARA INSTALAR EL ENSAMBLE DEL CONDUCTO DE DESCARGA DE NIEVE

⚠ ADVERTENCIA: no utilice nunca el soplador de nieve sin tener el conducto de descarga completo en la posición correcta.

1. Afloje la perilla ubicada en el poste de soporte interior y retire el perno (Fig. 5). Guarde la perilla y el perno para realizar el reensamblaje.
2. Levante el ensamble del conducto de descarga de nieve, alinee el poste de soporte exterior con el poste de soporte interior y luego deslice el poste de soporte exterior hasta la posición correcta (Fig. 5). Asegúrese de que el conducto de descarga de nieve esté asentado sobre la base (Fig. 6).



3. Fije el ensamble del conducto de descarga de nieve con la perilla y el perno reservados.

⚠ ADVERTENCIA: utilice la manija de rotación del conducto de descarga para asegurarse de que dicho conducto rote correctamente y que la abertura de descarga no cruce nunca los controles del operador.

FUNCIONAMIENTO

⚠ ADVERTENCIA: no permita que familiarizarse con este producto lo vuelva imprudente. Recuerde que un descuido de una fracción de segundo es suficiente para ocasionar lesiones graves.

⚠ ADVERTENCIA: use siempre lentes de protección que cumplan con la norma ANSI Z87.1. De lo contrario, podría provocar que se disparen objetos hacia sus ojos y otras posibles lesiones graves.

⚠ ADVERTENCIA: no use ningún aditamento ni accesorio que no haya sido recomendado por el fabricante de este producto. El uso de aditamentos o accesorios diferentes a los recomendados podría provocar lesiones graves.

APLICACIONES

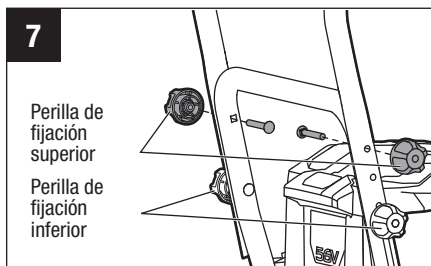
Puede usar este producto para los fines que se indican a continuación.

Retirar nieve de áreas tales como entradas de garaje y banquetas de la calle.

AJUSTE DE LA ALTURA DE LA MANIJA

El ensamble de la manija se puede ajustar a tres alturas diferentes. escoja una posición de utilización cómoda de acuerdo con su estatura.

1. Afloje las dos perillas de fijación superiores y jale hacia fuera los dos pernos (Fig. 7). Guárdelos para realizar el reensamblaje.
2. Afloje las dos perillas de fijación inferiores. No es necesario retirar las dos perillas de fijación inferiores y sus pernos de los carriles laterales durante el ajuste de la altura de la manija.



3. Suba o baje la manija y seleccione la altura apropiada en relación con las posiciones de los agujeros ubicados en la manija.
4. Una vez que llegue a los agujeros apropiados, apriete la manija con las perillas y los pernos reservados; luego, apriete las dos perillas de fijación inferiores para fijar la manija.

La ilustración muestra la posición de utilización superior (Fig. 8), la posición de utilización central (Fig. 9) y la posición de utilización inferior (Fig. 10).

PARA INSTALAR/DESINSTALAR EL PAQUETE DE BATERÍA

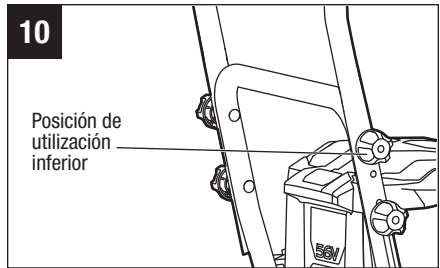
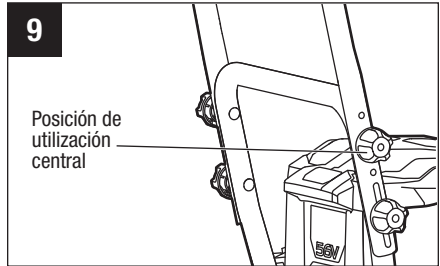
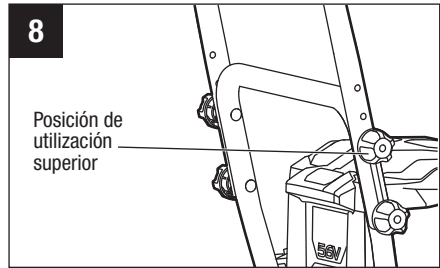
CÁRGUELO ANTES DEL PRIMER USO.

NOTA: para obtener el mejor rendimiento, recomendamos utilizar la unidad con dos baterías de litio Arc-Lithium EGO de 56 V de 5,0 Ah o con dos baterías de litio Arc-Lithium EGO de 56 V de mayor capacidad.

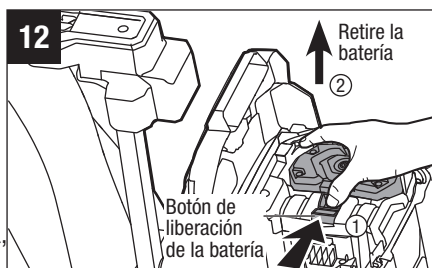
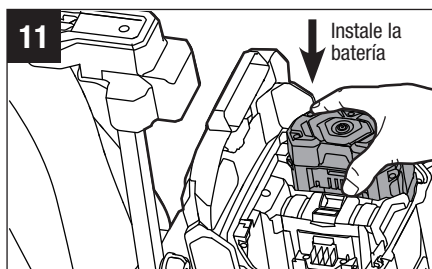
Cuando la unidad no se esté utilizando, los paquetes de batería de 56 V se deberán almacenar en un área cerrada donde la temperatura no descienda por debajo de $-4\text{ }^{\circ}\text{F}$ ($-20\text{ }^{\circ}\text{C}$). Las temperaturas de carga óptimas son entre $41\text{ }^{\circ}\text{F}$ ($5\text{ }^{\circ}\text{C}$) y $104\text{ }^{\circ}\text{F}$ ($40\text{ }^{\circ}\text{C}$).

⚠ ADVERTENCIA: si cualquiera de las piezas está rota o falta, no intente instalar los paquetes de batería en el soplador de nieve ni utilizar el soplador de nieve hasta que las piezas rotas o que falten hayan sido reemplazadas. Si no se hace así, el resultado podría ser lesiones graves.

1. La cubierta de la batería está embisagrada. Suba dicha cubierta levantando su parte delantera.
2. El soplador de nieve está equipado con dos compartimientos de batería, los cuales acomodan dos paquetes de batería al mismo tiempo.



3. Alinee las ranuras del paquete de batería con las costillas en relieve de uno de los compartimientos de batería y luego inserte el paquete de batería en el compartimiento (Fig. 11).
4. Empuje el paquete de batería hasta que oiga un “clic”. El botón de liberación de la batería saltará hacia arriba por resorte cuando el paquete de batería esté firmemente sujeto.
5. Instale el otro paquete de batería en el otro compartimiento de batería de la misma manera.
6. Para desinstalar el paquete de batería, presione el botón de liberación de la batería para liberar el paquete de batería y luego levante dicho paquete para sacarlo del compartimiento (Fig. 12).
7. Cierre la cubierta de la batería.



AVISO: asegúrese de que el pestillo ubicado en el soplador de nieve se acople a presión en la posición correcta y que el paquete o los paquetes de batería estén firmemente sujetos a la unidad antes de comenzar la utilización.

ARRANQUE/PARADA DEL SOPLADOR DE NIEVE

⚠ PRECAUCIÓN: no intente anular el funcionamiento del botón de seguridad. no encienda y apague rápidamente el soplador de nieve.

⚠ ADVERTENCIA: la utilización de un soplador de nieve puede hacer que se lancen objetos extraños hacia los ojos del operador o de otras personas, lo cual puede dañar gravemente los ojos. Use siempre gafas de seguridad mientras está utilizando el soplador de nieve o mientras está realizando cualquier ajuste o reparación en el soplador de nieve.

⚠ ADVERTENCIA: asegúrese de que otras personas y los animales domésticos permanezcan al menos a 100 pies (30 m) de distancia del soplador de nieve cuando esté en uso.

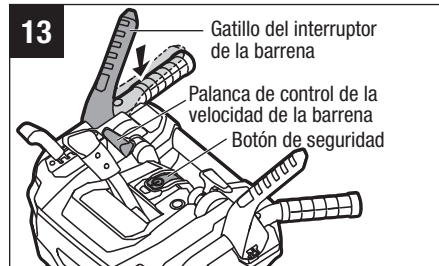
⚠ ADVERTENCIA: la barrena continuará rotando durante unos segundos después de apagar el soplador de nieve. Permita que la barrena deje de rotar antes de arrancar de nuevo el soplador.

Para arrancar el soplador de nieve

1. Asegúrese de que el ensamblaje de la manija esté ajustado firmemente a la altura adecuada, que el ensamblaje del conducto de descarga lateral esté montado correctamente y que el conducto de descarga y el deflector del conducto de descarga estén ajustados en una posición apropiada.
2. Instale el paquete o los paquetes de batería en el soplador de nieve y cierre la cubierta de la batería.

AVISO: asegúrese de que el pestillo ubicado en el soplador de nieve se acople a presión en la posición correcta y que el paquete o los paquetes de batería estén fijos en el soplador de nieve antes de su utilización.

3. Presione el botón de seguridad y manténgalo presionado durante 1 segundo, y el indicador LED parpadeará en verde. Presione el gatillo del interruptor de la barrena para encender el soplador de nieve mientras el indicador LED parpadea (Fig. 13).



AVISO: el soplador de nieve se puede encender por medio del gatillo del interruptor de la barrena solo cuando el indicador LED parpadee.

AVISO: es posible que el soplador de nieve no arranque correctamente si la temperatura de sus baterías es -4°F (-20°C) o menos. Si el soplador de nieve no arranca, retire la batería del soplador de nieve y deje que se caliente en un lugar interior durante 10 minutos o más tiempo. Reinstale la batería e inténtelo de nuevo.

Para detener el soplador de nieve

1. Suelte completamente el interruptor del gatillo de la barrena.
2. El freno eléctrico del mecanismo de frenado automático detendrá la rotación de la barrena en el plazo de 3 segundos después de soltar el interruptor de la barrena.

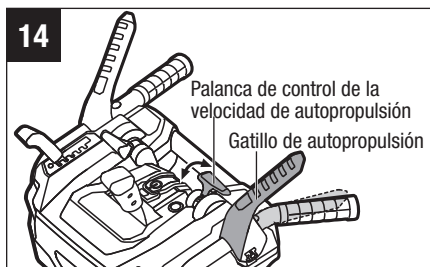
Sistema de velocidad variable de la barrena (Fig. 13)

La velocidad de la barrena se puede ajustar para controlar la distancia de lanzamiento.

1. Para aumentar la velocidad, empuje hacia delante la palanca de control de la velocidad de la barrena.
2. Para reducir la velocidad, jale hacia atrás la palanca de control de la velocidad de la barrena.

Sistema de autopropulsión de velocidad variable (Fig. 14)

Este soplador de nieve cuenta con capacidad de autopropulsión de velocidad variable. Este sistema es independiente del interruptor de encendido y apagado de la barrena; no depende de la rotación de la barrena. Por ejemplo, cuando usted haya terminado de limpiar la entrada del garaje, podrá usar la función de autopropulsión para propulsar el soplador de nieve hasta su lugar de almacenamiento sin rotación de la barrena.



Para utilizar el sistema de autopropulsión sin rotación de la barrena, presione el gatillo de autopropulsión hasta la manija.

Para desconectar la función de autopropulsión, suelte el gatillo de autopropulsión.

El sistema tiene velocidad variable. Para aumentar la velocidad, mueva hacia delante la palanca de control de la velocidad de autopropulsión. Para reducir la velocidad, mueva hacia atrás la palanca de control de la velocidad de autopropulsión.

Para mover hacia atrás el soplador de nieve, detenga primero la función de autopropulsión; jale la palanca de control de la velocidad de autopropulsión completamente hacia la parte trasera del soplador de nieve y luego presione el gatillo de autopropulsión.

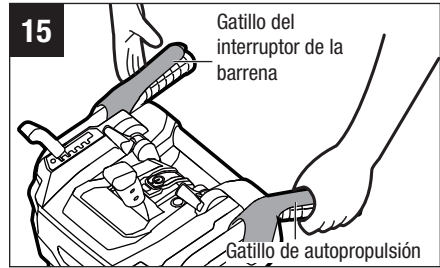
AVISO: la velocidad está fija cuando el soplador de nieve se utiliza en reversa con autopropulsión; la palanca de control de velocidad no puede cambiar la velocidad en reversa.

AVISO: el soplador de nieve no se puede cambiar para que se mueva hacia atrás mientras la función de autopropulsión lo está moviendo hacia delante.

GATILLO DEL INTERRUPTOR DE LA BARRENA Y VARILLAJE DEL GATILLO DE AUTOPROPULSIÓN (Fig. 15)

Cuando usted active al mismo tiempo el gatillo de autopropulsión y el gatillo del interruptor de la barrena, el gatillo del interruptor de la barrena se bloqueará temporalmente. Suelte el gatillo del interruptor de la barrena (mano derecha) y dicho gatillo permanecerá acoplado. Esta característica le permite a usted ajustar la velocidad de la barrena, la velocidad de autopropulsión y la dirección de descarga de la nieve mientras la barrena rota.

Para detener la barrena, suelte el gatillo de autopropulsión y tanto la barrena como la función de autopropulsión se detendrán.



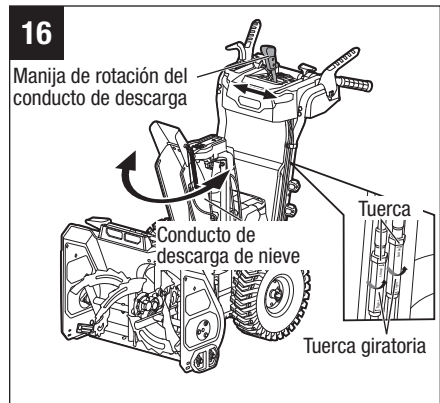
AJUSTE DEL CONDUCTO DE DESCARGA Y DEL DEFLECTOR

Afloje/apriete el conducto de descarga de nieve

Si encuentra nieve pesada, nieve mojada o nieve helada, puede ajustar firmemente el conducto de descarga de acuerdo con sus necesidades.

El ajustador del cable en línea puede cambiar la fuerza de movimiento de la manija de rotación del conducto de descarga. Si lo desea, puede reducir la fuerza rotando ligeramente el ajustador del cable en línea en sentido contrario al de las agujas del reloj (Fig. 16).

Alternativamente, la fuerza también se puede aumentar girándolo en sentido opuesto. Tenga presente que el conducto de descarga de nieve se desplazará hacia la izquierda/derecha durante el uso si está demasiado flojo.



Ajustar la dirección de la rampa de descarga de nieve

El conducto de descarga se puede ajustar para cambiar tanto la dirección como la distancia de la nieve descargada con el fin de ayudarle a usted a mover la nieve alejándola de un área y colocándola en otra.

La dirección de retirada de la nieve se puede ajustar hacia arriba hasta 100° a la izquierda y 100° a la derecha (Fig. 16).

1. Jale hacia la izquierda la manija de rotación del conducto de descarga para rotar dicho conducto hacia la izquierda.
2. Jale hacia la derecha la manija de rotación del conducto de descarga para rotar dicho conducto hacia la derecha.

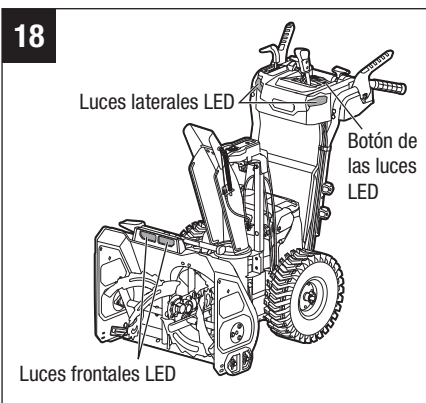
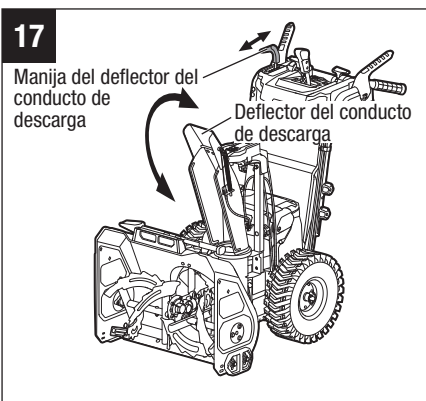
Ajuste el deflector de la tolva

La distancia de lanzamiento del soplador de nieve se ajusta moviendo hacia arriba o hacia abajo el deflector del conducto de descarga.

Para aumentar o reducir la distancia a la que se lanza la nieve, jale hacia atrás o hacia delante la manija del deflector del conducto de descarga para subir o bajar dicho deflector (Fig. 17). Una vez que haya llegado a la posición deseada del deflector del conducto de descarga, acople la manija del deflector del conducto de descarga de vuelta en la ranura de fijación.

UTILIZACIÓN DE LAS LUCES LATERALES Y FRONTALES LED (Fig. 18)

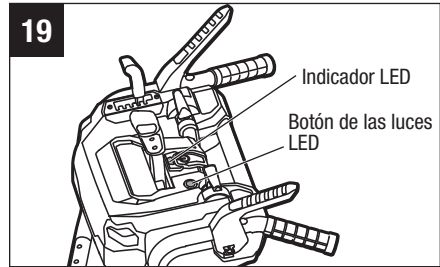
Las luces laterales LED están ubicadas tanto a la izquierda como a la derecha del ensamblaje de la manija. Las luces frontales LED están ubicadas en la parte delantera de la plataforma.



Presione una vez el botón de las luces LED para encender tanto las luces laterales como las luces frontales.

Presione dos veces el botón de las luces LED para apagar las luces laterales.

Presione tres veces el botón de las luces LED para apagar todas las luces.



AVISO: todas las luces LED se apagarán automáticamente si el soplador de nieve no se utiliza en un plazo de 5 minutos.

INDICADOR LED UBICADO EN EL SOPLADOR DE NIEVE (Fig. 19)

El soplador de nieve está equipado con un indicador LED para indicar el nivel de carga del paquete o los paquetes de batería y el estado de funcionamiento del soplador de nieve.

INDICADOR LED	SIGNIFICADO	ACCIÓN
Se enciende en verde	El soplador de nieve está funcionando correctamente; cada batería tiene al menos un 15% de su carga.	No aplicable
Parpadea en rojo	La batería está casi agotada.	Pare el soplador de nieve y cargue el paquete o los paquetes de batería.
Parpadea en verde y rojo alternamente	Error	Contacte a un centro de servicio al cliente de EGO
Se enciende en naranja	El soplador de nieve se para debido a sobrecalentamiento.	Retire las baterías del soplador de nieve, llévelas a la sombra y enfríelas durante al menos 15 minutos.
Parpadea en naranja	El soplador de nieve está sobrecargado.	Retire primero el paquete de batería, revise la herramienta y límpiela si se ha acumulado nieve debajo de la plataforma. Disminuya el ritmo cuando mueva nieve. Si esto no funciona, sírvase contactar a un centro de servicio al cliente de EGO.

<p>Oscuro y la luz LED de la batería parpadea</p>	<p>Sobrecalentamiento de la batería (consulte la sección “PROTECCIÓN CONTRA TEMPERATURAS ALTAS DE LAS BATERÍAS” de este manual).</p>	<p>Retire la batería del soplador de nieve y espere hasta que el paquete de batería se enfríe hasta aproximadamente 152 °F (67 °C), luego reinstale la batería y reorganice el soplador de nieve.</p>
---	--	---

PROTECCIÓN CONTRA SOBRECARGAS DEL SOPLADOR DE NIEVE

Para prevenir condiciones de sobrecarga, no intente retirar demasiada nieve a la vez. Reduzca el ritmo o disminuya la anchura de la franja de despeje de nieve. El soplador de nieve tiene elementos de detección de sobrecargas incorporados. Cuando el soplador de nieve se sobrecargue, el motor reducirá automáticamente la velocidad y usted escuchará cómo el volumen del motor disminuye. Reduzca el ritmo o estreche la anchura de despeje, después de lo cual la velocidad del motor reanudará automáticamente su nivel normal. Si este remedio no resuelve la situación de sobrecarga, el sensor apagará automáticamente el motor y el indicador LED ubicado en el soplador de nieve parpadeará en naranja. Retire el paquete o los paquetes de batería del soplador de nieve, espere 10 segundos y compruebe si hay nieve o hielo pegados en la barrena y la plataforma. Si es necesario, siga las instrucciones de “Despeje de un conducto de descarga obstruido”. Reinstale las baterías y reorganice el soplador de nieve.

DESPEJE DE UN CONDUCTO DE DESCARGA OBSTRUIDO

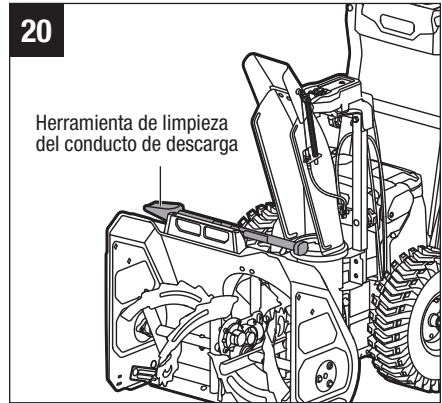
⚠ ADVERTENCIA: la entrada en contacto de las manos con la barrena que rota dentro del conducto de descarga es la causa más común de lesiones asociadas con los sopladores de nieve. No utilice nunca la mano para limpiar el conducto de descarga.

⚠ ADVERTENCIA: no introduzca nunca las manos en el conducto de descarga ni coloque ninguna parte del cuerpo delante del soplador de nieve cuando la unidad esté en funcionamiento o cuando el paquete o los paquetes de batería estén instalados. Asegúrese siempre de que todas las piezas móviles se hayan detenido y que el paquete o los paquetes de batería se hayan retirado antes de despejar cualquier obstrucción. Si no se siguen estas instrucciones, el resultado puede ser lesiones corporales graves.

Para despejar el conducto de descarga:

1. ¡Apague el motor!
2. Retire el paquete o los paquetes de batería del soplador de nieve.

3. Espere 10 segundos para asegurarse de que la barrena haya dejado de rotar.
4. Utilice siempre la herramienta de limpieza del conducto de descarga que está acoplada a la máquina como accesorio, no utilice la mano (Fig. 20)



PROTECCIÓN CONTRA TEMPERATURAS ALTAS DE LAS BATERÍAS

El paquete de batería generará calor durante la utilización. Si la temperatura de la batería excede 158 °F (70 °C) durante la utilización, el circuito de protección apagará inmediatamente el soplador de nieve para proteger el paquete de batería contra los daños por calor. El indicador LED del soplador de nieve se apagará y la luz LED ubicada en la batería parpadeará en naranja o se encenderá en rojo.

AVISO: Las luces LED ubicadas en los siguientes paquetes de batería parpadearán en naranja en caso de sobrecalentamiento: BA1400, BA1400-FC, BA2800, BA2800-FC, BA4200 y BA4200-FC; las luces LED ubicadas en los siguientes paquetes de batería se encenderán en rojo en caso de sobrecalentamiento: BA1400T, BA1400T-FC, BA2800T, BA2800T-FC, BA4200T, BA4200T-FC, BA5600T y BA5600T-FC. If the snow blower is over-heating itself, the LED indicator on the snow blower will flash orange and the battery indicator will be OFF.

Si el propio soplador de nieve se está sobrecalentando, el indicador LED ubicado en el soplador de nieve parpadeará en naranja y el indicador de la batería se APAGARÁ.

Cuando las baterías se estén sobrecalentando, suelte todos los gatillos, espere hasta que el paquete o los paquetes de batería sobrecalentados se enfríen o cámbielos por el paquete o los paquetes de batería nuevos y luego re arranque el soplador de nieve. Para prevenir el apagado debido a la protección contra temperaturas altas de las baterías, no intente utilizar una sola batería para alimentar el soplador de nieve cuando la profundidad de la nieve acumulada exceda 8 pulgadas o cuando la nieve esté muy húmeda o congelada. Recomendamos el uso de dos baterías que funcionen simultáneamente. Esto es útil para obtener la potencia máxima del soplador de nieve. Después de que haya ocurrido la protección contra temperaturas altas, reduzca el ritmo y estreche la anchura de la franja de despeje para reducir el esfuerzo al que se somete la batería.

CONSEJOS DE UTILIZACIÓN

⚠ PELIGRO: no utilice nunca un soplador de nieve en lagos o ríos congelados, ni en superficies similares. Podrían producirse lesiones graves o la muerte si el hielo se rompe.

⚠ PELIGRO: no utilice nunca el soplador de nieve en un tejado u otra superficie inestable, ya que pueden producirse lesiones corporales graves o la muerte.

⚠ ADVERTENCIA: no utilice el soplador de nieve en hielo, ya que esto puede hacer que el operador resbale y se caiga, y el resultado sea posibles lesiones corporales graves.

⚠ ADVERTENCIA: no use ropa holgada, bufandas ni joyas. Pueden resultar atrapadas en las piezas móviles y causar la muerte o lesiones corporales graves.

⚠ ADVERTENCIA: mantenga toda la descarga de nieve orientada de manera que se aleje de todos los dispositivos eléctricos para reducir el riesgo de electrocución o descargas eléctricas.

⚠ ADVERTENCIA: no apunte nunca el soplador de nieve o el conducto de descarga en dirección a personas o animales domésticos. La nieve u otros objetos que se lancen al aire pueden causar lesiones corporales graves.

⚠ ADVERTENCIA: asegúrese de que el área que se vaya a despejar esté libre de piedras, palos, cables, grava y otros objetos que podrían ser lanzados al aire accidentalmente por el soplador de nieve en cualquier dirección y causar lesiones corporales graves al operador y a otras personas.

- Si la unidad entra en contacto con cualquier tipo de obstrucción o residuo durante su utilización, pare el soplador de nieve, retire el paquete o los paquetes de batería, retire la obstrucción e inspeccione minuciosamente la unidad para determinar si está dañada antes de seguir adelante.

⚠ ADVERTENCIA: no introduzca nunca las manos en el conducto de descarga ni coloque ninguna parte del cuerpo delante del soplador de nieve cuando la unidad esté en funcionamiento o cuando el paquete o los paquetes de batería estén instalados. Asegúrese siempre de que todas las piezas móviles se hayan detenido y que el paquete o los paquetes de batería hayan sido retirados antes de despejar cualquier obstrucción. Si no se siguen estas instrucciones, el resultado puede ser lesiones corporales graves.

- Fíjese en la dirección del viento antes de comenzar. Cuando sea posible, descargue la nieve en la misma dirección que el viento para impedir que la nieve le sea lanzada hacia atrás, hacia la cara.
- Algunas piezas del soplador de nieve se pueden congelar en condiciones climáticas extremas. No intente utilizar la unidad con piezas congeladas.
- Cuando haya acabado, deje que el motor funcione durante unos minutos adicionales para impedir que las piezas móviles se congelen y luego gire hacia atrás y hacia delante varias veces la manija de rotación del conducto de descarga para liberarla de cualquier acumulación de hielo. Asegúrese de retirar toda la nieve y todo el hielo que pueda haber en la base del conducto de descarga.
- En condiciones de nieve y frío, es posible que algunos controles y piezas móviles se congelen. No emplee una fuerza excesiva cuando intente utilizar controles congelados. Si tiene dificultad para utilizar cualquier control o pieza, arranque la máquina tal y como se muestra en la sección “**ARRANQUE/PARADA DEL SOPLADOR DE NIEVE**” y deje que funcione durante unos minutos.

MANTENIMIENTO

⚠ ADVERTENCIA: para evitar lesiones corporales graves, retire siempre el paquete o los paquetes de batería del soplador de nieve antes de limpiarlo o realizar cualquier mantenimiento.

⚠ ADVERTENCIA: cuando haga servicio de ajustes y reparaciones, utilice únicamente piezas de repuesto idénticas. Es posible que el uso de cualquier otra pieza cree un peligro o cause daños al producto. Para garantizar la seguridad y la confiabilidad, todas las reparaciones deberán ser realizadas por un técnico de servicio calificado.

AVISO: inspeccione periódicamente todo el producto para determinar si hay piezas dañadas, si faltan piezas o si hay piezas flojas, tales como tornillos, tuercas, pernos, tapas, etc. Apriete firmemente todos los sujetadores y todas las tapas y no utilice este producto hasta que todas las piezas que falten o estén dañadas hayan sido reemplazadas.

MANTENIMIENTO GENERAL

Evite utilizar solventes cuando limpie piezas de plástico. La mayoría de los plásticos son susceptibles a sufrir daños por causa de diversos tipos de solventes comerciales y es posible que resulten dañados por el uso de dichos solventes. Utilice paños limpios para retirar la suciedad, el polvo, el aceite, la grasa, etc.

⚠ ADVERTENCIA: no deje en ningún momento que líquido de frenos, gasolina, productos a base de petróleo, aceites penetrantes, etc., entren en contacto con piezas de plástico. Las sustancias químicas pueden dañar, debilitar o destruir el plástico, lo cual puede tener como resultado lesiones corporales graves.

LUBRICACIÓN DE LA MÁQUINA

Todos los rodamientos de este producto están lubricados con una cantidad suficiente de lubricante de alto grado para toda la vida útil de la unidad en condiciones de utilización normales. Por lo tanto, no se requiere lubricación adicional de los rodamientos.

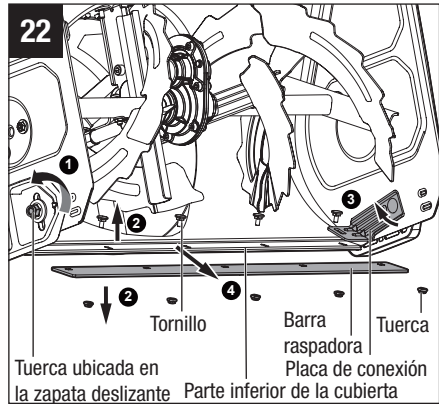
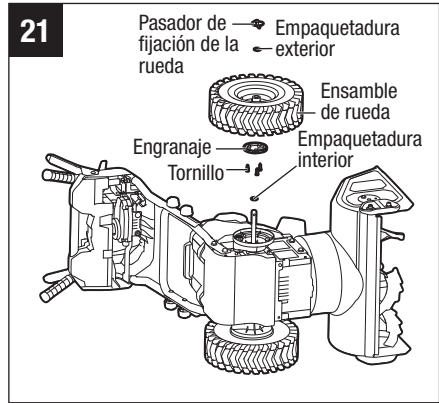
MONTAJE Y DESMONTAJE DE LA RUEDA

1. Retire los paquetes de batería.
2. Acueste el soplador de nieve sobre uno de sus lados y jale hacia fuera el pasador de fijación de la rueda para retirar la empaquetadura exterior y el ensamble de la rueda. Conserve la empaquetadura interior en el eje de la rueda.

- Afloje y retire los 3 tornillos para separar el engranaje del ensamble de la rueda. Guarde el engranaje para realizar el reensamblaje (Fig. 21).
- Reemplace la rueda por una nueva.
- Reensamble el engranaje, la rueda nueva y la empaquetadura exterior en orden inverso. Fije todo con el pasador de fijación de la rueda.

MONTAJE Y DESMONTAJE DE LA BARRA RASPADORA (Fig. 22)

- Retire las baterías del soplador de nieve.
- Acueste el soplador de nieve sobre uno de sus lados o en cualquier otra posición conveniente para hacer servicio de reparaciones y mantenimiento de la barra raspadora.
- Afloje la tuerca externa ubicada en la zapata deslizante justo lo suficiente para permitir que la placa de conexión interna rote libremente alrededor del tornillo correspondiente en el interior (se muestra el paso 1).



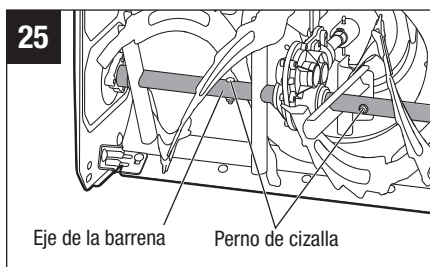
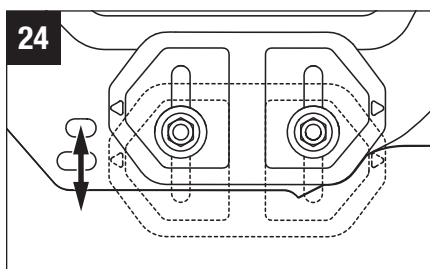
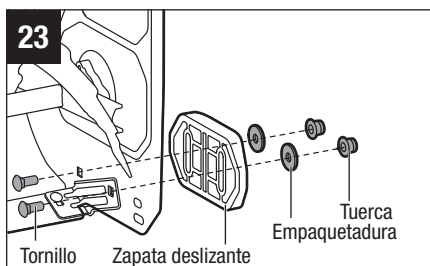
- Afloje la placa de conexión en el otro lado de la misma manera.
- Afloje y retire las cinco tuercas ubicadas en la parte inferior de la plataforma, así como los 5 tornillos que se encuentran en el interior (se muestra el paso 2), y rote la placa de conexión hacia la cámara de la barrena (se muestra el paso 3) para retirar completamente la barra raspadora alejándola de la plataforma (se muestra el paso 4).
- Reemplace la barra raspadora desgastada por una nueva.
- Para realizar el reensamblaje, inserte primero la barra raspadora nueva entre la placa de conexión y la parte inferior de la plataforma. Rote la placa de conexión hasta que los agujeros ubicados en dicha placa, la parte inferior de la plataforma y la barra raspadora estén alineados. Con los cinco agujeros alineados, inserte los cinco tornillos en los agujeros y fíjelos con las cinco tuercas en la parte trasera.

8. Apriete firmemente la tuerca externa ubicada en la zapata deslizante.

REEMPLAZO Y AJUSTE DE LAS ZAPATAS DESLIZANTES

Quando encuentre superficies desiguales o de grava, será necesario ajustar la altura de las zapatas deslizantes para aumentar la capacidad para maniobrar el soplador de nieve sobre la nieve.

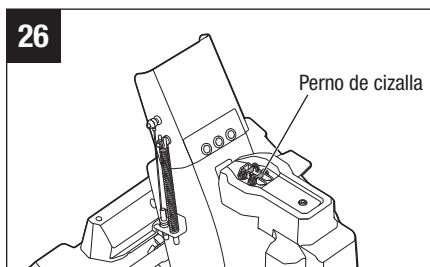
1. Retire las baterías.
2. Afloje las tuercas, las empaquetaduras y la zapata deslizante y retírelas de los tornillos (Fig. 23).
3. Reemplace la zapata deslizante por una nueva, si es necesario.
4. La altura de las zapatas deslizantes se puede ajustar de acuerdo con las condiciones reales de la nieve sin retirar completamente las tuercas. Simplemente aflójelas, ajuste la posición de la zapata deslizante y luego reapriételas (Fig. 24).



REEMPLAZO DEL PERNO DE CIZALLA

Los pernos de cizalla están ubicados en el eje de la barrena. Ayudan a absorber la fuerza de torsión de detención instantánea cuando la barrena golpee obstáculos durante la utilización y protegen la caja de engranajes y el motor contra los daños.

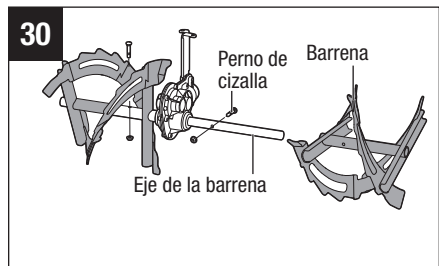
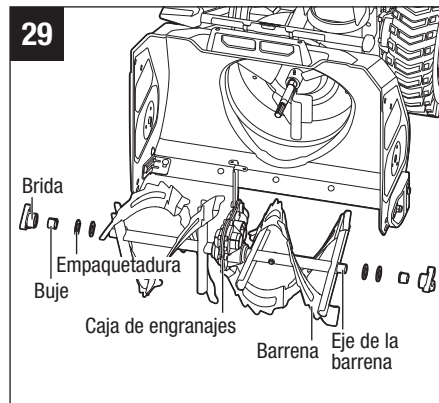
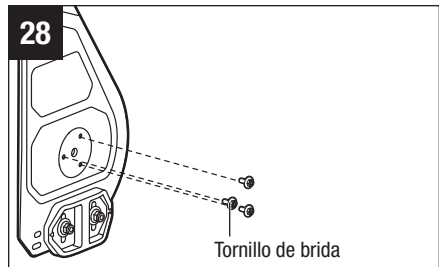
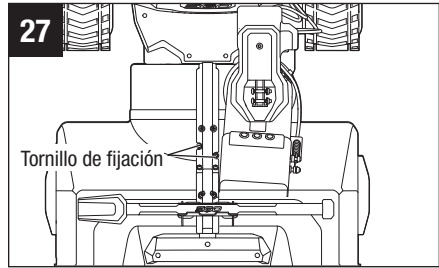
Para reemplazar los pernos de cizalla, retire las baterías, quite el perno de cizalla roto del eje de la barrena y reemplácelo por un perno nuevo.



AVISO: en el ensamble el conducto de descarga hay almacenados dos pernos de cizalla adicionales. Reemplácelos por pernos nuevos si los originales están rotos (Fig. 26).

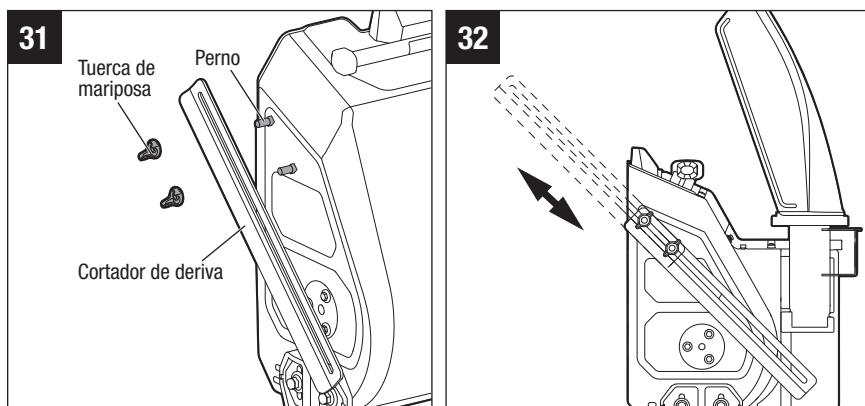
REEMPLAZO DE LA BARRENA

1. Retire las baterías.
2. Retire los dos tornillos de fijación ubicados en la parte superior de la plataforma (Fig. 27).
3. Retire los 3 tornillos de brida ubicados tanto a la izquierda como a la derecha de la plataforma (Fig. 28).
4. Retire de la plataforma la barrena, junto con la caja de engranajes como un conjunto completo. Luego, retire la brida, el buje y la empaquetadura del eje de la barrena (Fig. 29).
5. Retire el perno de cizalla izquierdo y derecho y separe las barrenas del eje de la barrena (Fig. 30).
6. Reemplace la barrena desgastada y reensamble todo en orden inverso.



MONTAJE Y DESMONTAJE DE LOS CORTADORES DE DERIVA (DISPONIBLES Y VENDIDOS POR SEPARADO)

1. Retire las baterías.
2. Inserte los 2 pernos en la plataforma y monte el cortador de deriva y las tuercas de mariposa en los pernos. Preapriete las tuercas de mariposa y mantenga el cortador de deriva un poco flojo para ajustarlo (Fig. 31)
3. Mueva los cortadores de deriva hasta la posición deseada (Fig. 32).
4. Apriete las tuercas de mariposa para fijar los cortadores de deriva.



ALMACENAMIENTO DEL SOPLADOR DE NIEVE

⚠ PRECAUCIÓN asegúrese de que toda la nieve derretida que pueda gotear del soplador de nieve se retire adecuadamente para prevenir un peligro de resbalón y caída.

- Retire el paquete o los paquetes de batería y almacénelos en un lugar seguro fuera del alcance de los niños.

NOTA: cuando no se esté utilizando, una batería de 56 V se deberá almacenar en un área cerrada donde la temperatura no descienda por debajo de -4 °F (-20 °C). Las temperaturas de carga óptimas son 41 °F - 104 °F (5 °C - 40 °C).

Antes de almacenar la unidad, elimine toda la humedad, suciedad o residuos del área de la batería.

- Limpie el soplador de nieve con un paño limpio y seco.
- Compruebe el apriete de todas las tuercas, pernos, perillas, tornillos, etc.
- Inspeccione las piezas móviles para determinar si tienen daños, están rotas y están desgastadas. Haga que se realicen reparaciones solo en piezas dañadas o que falten.
- Almacene el soplador de nieve en un lugar limpio, seco y cerrado, fuera del alcance de los niños.
- No almacene la unidad cerca de materiales corrosivos, tales como fertilizante o sal de roca.

SOLUCIÓN DE PROBLEMAS

⚠ ADVERTENCIA: retire siempre el paquete o los paquetes de batería cuando haga servicio de ajustes y reparaciones del soplador de nieve o lo transporte. Protéjase siempre las manos usando guantes cuando realice cualquier mantenimiento en la barrena o el raspador del soplador de nieve.

PROBLEMA	CAUSA	SOLUCIÓN
El soplador de nieve no arranca.	<ul style="list-style-type: none"> ■ La carga de la batería está baja. ■ El gatillo interruptor de la barrena no está presionado en el momento en que el indicador LED parpadea en verde. ■ La barrena está congelada por nieve o hielo. ■ La batería está sobrecalentada. El indicador LED ubicado en la batería parpadea en naranja o se enciende en rojo (consulte la sección “PROTECCIÓN CONTRA TEMPERATURAS ALTAS DE LAS BATERÍAS” de este manual). 	<ul style="list-style-type: none"> ■ Cargue la batería ■ Presione el gatillo del interruptor de la barrena cuando el indicador LED parpadee. Si el indicador LED deja de parpadear, el soplador de nieve no responderá al presionar el gatillo del interruptor de la barrena. ■ Retire primero el paquete o los paquetes de batería y utilice la herramienta de limpieza del conducto de descarga suministrada para eliminar la nieve o el hielo que obstruyan en la barrena. Rearranque el soplador de nieve. ■ Retire la batería sobrecalentada del soplador de nieve, espere hasta que el paquete de batería se enfríe hasta aproximadamente 152 °F (67 °C), luego reinstale la batería y rearranque el soplador de nieve.
El motor está encendido pero la barrena no gira.	<ul style="list-style-type: none"> ■ El perno de cizalla está roto 	<ul style="list-style-type: none"> ■ Reemplace el perno de cizalla siguiendo la sección “REEMPLAZO DEL PERNO DE CIZALLA” de este manual.

PROBLEMA	CAUSA	SOLUCIÓN
El botón de las luces LED es insensible a la primera presión.	<ul style="list-style-type: none"> El proceso de autocomprobación interna causa una ligera demora en la respuesta a la primera pulsación. 	<ul style="list-style-type: none"> Presione el botón de las luces LED y manténgalo presionado durante 1 segundo.
El indicador LED ubicado en la batería se mantiene encendido después de que el soplador de nieve se detiene o el sistema de autopropulsión se apaga.	<ul style="list-style-type: none"> El circuito eléctrico está en espera para el próximo rearmado. La luz LED se apagará automáticamente si el soplador de nieve no se utiliza en 5-10 minutos. 	<ul style="list-style-type: none"> Simplemente déjelo o retire las baterías de los compartimientos de batería.

ACCESORIOS

⚠ ADVERTENCIA: las siguientes piezas están sujetas a desgaste por el uso normal. Utilice únicamente las piezas de repuesto idénticas que se incluyen en la lista que aparece a continuación. Es posible que el uso de piezas que no cumplan con las especificaciones del equipo original cause un rendimiento incorrecto y ponga en peligro la seguridad.

NOMBRE DE LA PIEZA	NÚMERO DEL MODELO
Perno de cizalla	ASP2400
Conjunto de perno de cizalla	ASP2400D
Barrena de soplador (izquierda)	ASG2400L
Barrena de soplador (derecha)	ASG2400R
Rueda de soplador (izquierda)	AW2400L
Rueda de soplador (derecha)	AW2400R
Zapatillas deslizantes (pareja)	AKS2400D
Herramienta de limpieza del conducto de descarga	ACT2400
Cortadores de deriva	ADC2400

GARANTÍA

POLÍTICA DE GARANTÍA

Garantía limitada de 5 años en equipos de energía para exteriores y energía portátil EGO POWER+ para uso doméstico personal.

Garantía limitada de 3 años en paquetes de batería y cargadores del Sistema EGO POWER+ para uso personal doméstico. Se aplica una garantía extendida adicional de 2 años para la batería de 10,0 Ah/12,0 Ah, tanto si se vende por separado (núm. de modelo BA5600T/BA6720T) como si se incluye con cualquier herramienta, si se registra dentro del plazo de 90 días después de su compra. Garantía limitada de 5 años en el cargador CHV1600, diseñado para utilizarse con la cortadora de césped con asiento con radio de giro cero para uso personal doméstico.

Garantía limitada de 2 años/1 año en equipos de energía para exteriores, energía portátil, paquetes de baterías y cargadores EGO para uso profesional y comercial.

Los períodos de garantía detallados por productos se pueden encontrar en línea en <http://egopowerplus.com/pages/warranty-policy>.

Póngase en contacto con Servicio al Cliente de EGO de manera gratuita al 1-855-EGO-5656, cuando tenga preguntas o reclamaciones de garantía.

GARANTÍA LIMITADA DE SERVICIO

Los productos EGO están garantizados contra defectos de material o de fabricación a partir de la fecha de compra original al por menor durante el período de garantía aplicable. El producto defectuoso será reparado gratuitamente.

- a) Esta garantía se aplica solo al comprador original del distribuidor minorista autorizado de EGO y podría no ser transferible. Los distribuidores minoristas autorizados de EGO se identifican en línea, en <http://egopowerplus.com/pages/warranty-policy>.
- b) El período de garantía para productos reacondicionados o certificados de fábrica que se utilizan para fines residenciales es de 1 año, para fines industriales, profesionales o comerciales es de 90 días.
- c) El período de garantía para piezas del mantenimiento de rutina, incluidas, entre otras, cuchillas, cabezales de orilladoras, listones de cadenas, cadenas de motosierras, correas, barras raspadoras, boquillas de sopladores y todos los demás accesorios EGO, es de 90 días con fines residenciales y de 30 días

para propósitos industriales, profesionales o comerciales. Estas piezas tienen cobertura durante 90/30 días por defectos de fabricación en condiciones normales de trabajo.

- d) Esta garantía queda nula si el producto se ha puesto en alquiler.
- e) Esta garantía no cubre daños producto de modificaciones, alteraciones o reparaciones no autorizadas.
- f) Esta garantía solo cubre defectos que surjan del uso normal y no cubre el mal funcionamiento, las fallas ni los defectos que resulten del mal uso, el abuso (que incluye la sobrecarga del producto más allá de su capacidad y sumergirlo en agua o en cualquier otro líquido), accidentes, negligencia o falta de instalación adecuada y mantenimiento o almacenamiento inadecuados.
- g) Esta garantía no cubre el deterioro normal del acabado exterior, incluidos, entre otros, rayones, abolladuras, trozos de pintura o cualquier corrosión o decoloración producida por el calor o limpiadores químicos y abrasivos.

CÓMO OBTENER EL SERVICIO

Para obtener el servicio de garantía, póngase en contacto con Servicio al Cliente de EGO de manera gratuita al **1-855-EGO-5656**. Cuando pida un servicio cubierto por la garantía, debe presentar el recibo con la fecha original de venta. Un centro de servicio autorizado será seleccionado para reparar el producto de acuerdo con los términos establecidos en la garantía. Cuando lleve el producto al centro de servicio autorizado, es posible que deba hacer un pequeño depósito cuando deje la herramienta. Este depósito se reembolsará cuando se considere que el servicio de reparación se haya cubierto con la garantía.

LIMITACIONES ADICIONALES

En la medida en que la ley aplicable lo permita, se deniegan todas las garantías implícitas, inclusive las garantías de COMERCIALIZACIÓN o IDONEIDAD PARA UN PROPÓSITO ESPECÍFICO. Todas las garantías implícitas, inclusive las garantías de comerciabilidad o idoneidad para un propósito específico, que no se puedan denegar bajo la ley estatal, están limitadas al período de garantía aplicable definido al comienzo de este artículo.

Chervon North America no se hará responsable por daños directos, indirectos, accidentales o resultantes.

Algunos estados no permiten limitaciones con respecto a la duración de una garantía



implícita y/o no permiten la exclusión o limitación de daños accidentales o resultantes, de modo que las limitaciones antes descritas podrían no aplicarse en su caso.

Esta garantía le otorga derechos legales específicos, pero podría tener también otros derechos que varían según el estado.

Para obtener el servicio al cliente, póngase en contacto con nosotros de manera gratuita al: **1-855-EGO-5656** o visite: **EGOPOWERPLUS.COM**

EGO Customer Service, 769 SEWARD AVE NW / Suite 102 Grand Rapids, MI 49504

