



78" Landscape Drag

OWNER'S MANUAL



WARNING:

Read carefully and understand all **ASSEMBLY AND OPERATION INSTRUCTIONS** before operating. Failure to follow the safety rules and other basic safety precautions may result in serious personal injury.

Model # ATV-78LDT

Thank you very much for choosing this product! For future reference, please complete the owner's record below:

Model: _____ ATV-78LDT _____ Purchase Date: _____

Save the receipt, warranty and these instructions. It is important that you read the entire manual to become familiar with this product before you begin using it.

This machine is designed for certain applications only. The manufacturer cannot be responsible for issues arising from modification. We strongly recommend this machine not be modified and/or used for any application other than that for which it was designed. If you have any questions relative to a particular application, DO NOT use the machine until you have first contacted us to determine if it can or should be performed on the product.

For technical questions please call **1-218-943-6296**.

INTENDED USE

Use for leveling driveways and parking lots.

TECHNICAL SPECIFICATIONS

Tows easily behind an ATV or lawn tractor
6' 6" working width
Up To 50 lbs. of weight can be added to top

GENERAL SAFETY RULES



WARNING: Read and understand all instructions. Failure to follow all instructions listed below may result in serious injury.



CAUTION: Do not allow persons to operate or assemble this landscape drag until they have read this manual and have developed a thorough understanding of how the landscape drag works.



WARNING: The warnings, cautions, and instructions discussed in this instruction manual cannot cover all possible conditions or situations that could occur. It must be understood by the operator that common sense and caution are factors which cannot be built into this product, but must be supplied by the operator.

SAVE THESE INSTRUCTIONS

WORK AREA

- **Keep work area clean**, free of clutter and well lit. Cluttered and dark work areas can cause accidents.
- **Keep children and bystanders** away while operating a landscape drag. Distractions can cause you to lose control, so visitors should remain at a safe distance from the work area.
- **Be aware of all power lines, electrical circuits**, water pipes and other mechanical hazards in your work area, particularly those hazards below the work surface hidden from the operator's view that may be unintentionally contacted and may cause personal harm or property damage.
- **Be alert of your surroundings**. Using a landscape drag in confined work areas may put you dangerously close to cutting tools and rotating parts.

PERSONAL SAFETY

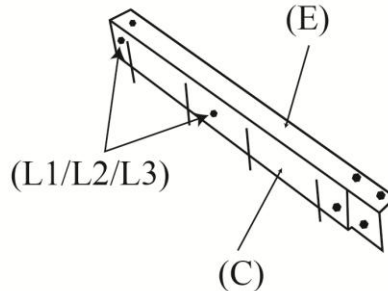
- **Stay alert**, watch what you are doing and use common sense when using a landscape drag. Do not use a landscape drag while you are tired or under the influence of drugs, alcohol or medication. A moment of inattention while operating a landscape drag may result in serious personal injury.
- **Dress properly**. Do not wear loose clothing, dangling objects, or jewelry. Keep your hair, clothing and gloves away from moving parts. Loose clothes, jewelry or long hair can be caught in moving parts.
- **Use safety apparel and equipment**. Use safety goggles or safety glasses with side shields which comply with current national standards, or when needed, a face shield. Use as dust mask in dusty work conditions. This applies to all persons in the work area. Also use non-skid safety shoes, hardhat, heavy-duty work gloves, dust collection systems, and hearing protection when appropriate.

LANDSCAPE DRAG USE AND CARE

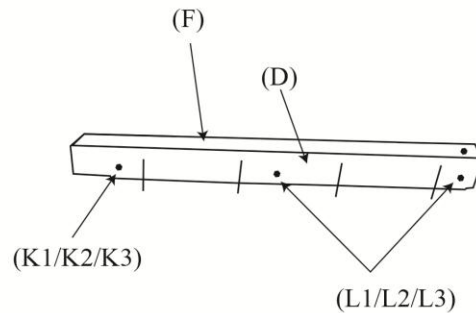
- **Do not modify the landscape drag in any way**. Unauthorized modification may impair the function and/or safety and could affect the life of the equipment. There are specific applications for which the landscape drag was designed.
- **Always check for damaged or worn out parts before using the landscape drag**. Broken parts will affect the landscape drag operation. Replace or repair damaged or worn parts immediately.
- **Do not exceed the landscape drag load capacity**.
- **Distribute the load evenly**. Uneven loads may cause the landscape drag to tip, resulting in personal injury to the operator or others.
- **Use the landscape drag on flat and level surfaces** capable of supporting the landscape drag and its maximum load. Pulling or pushing a load on a slanted or uneven surface can result in loss of control.
- **Store idle landscape drag**. When landscape drag is not in use, store it in a secure place out of the reach of children. Inspect it for good working condition prior to storage and before re-use.

ASSEMBLY

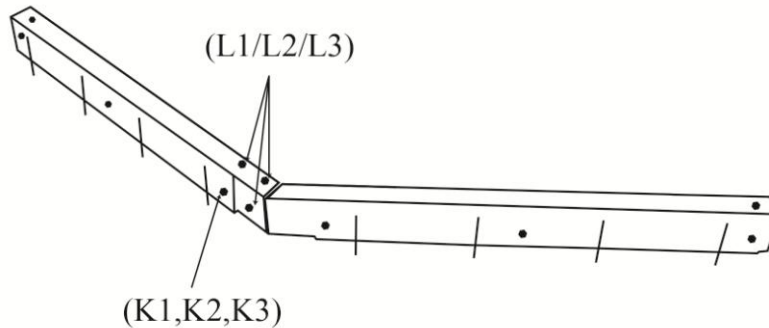
Step 1: Connect the Right Short Angle Steel (E) with Right Flat Steel with Tines (C) using M10 x 25 bolt(L1), lock nut(L2) and washer (L3), leaving the hole towards the middle clear for now. Do not tighten hardware at this point.



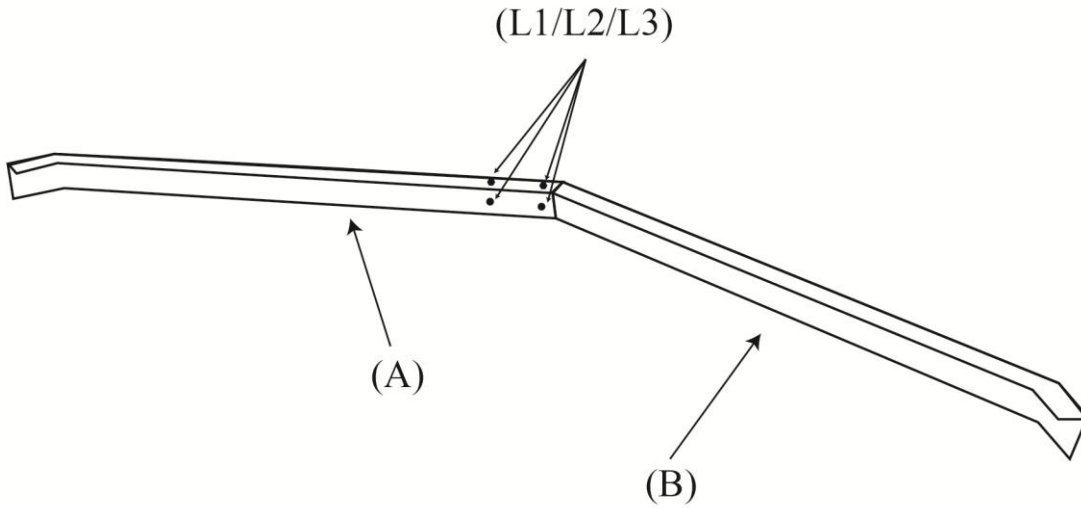
Step 2: Connect the Left Short Angle Steel (F) with Left Flat Steel with Tines (D) using M10 x 25 bolt (L1), lock nut (L2) and washer (L3), M10 x 30 bolt (K1), lock nut (K2) and washer (K3). Do not tighten hardware at this point.



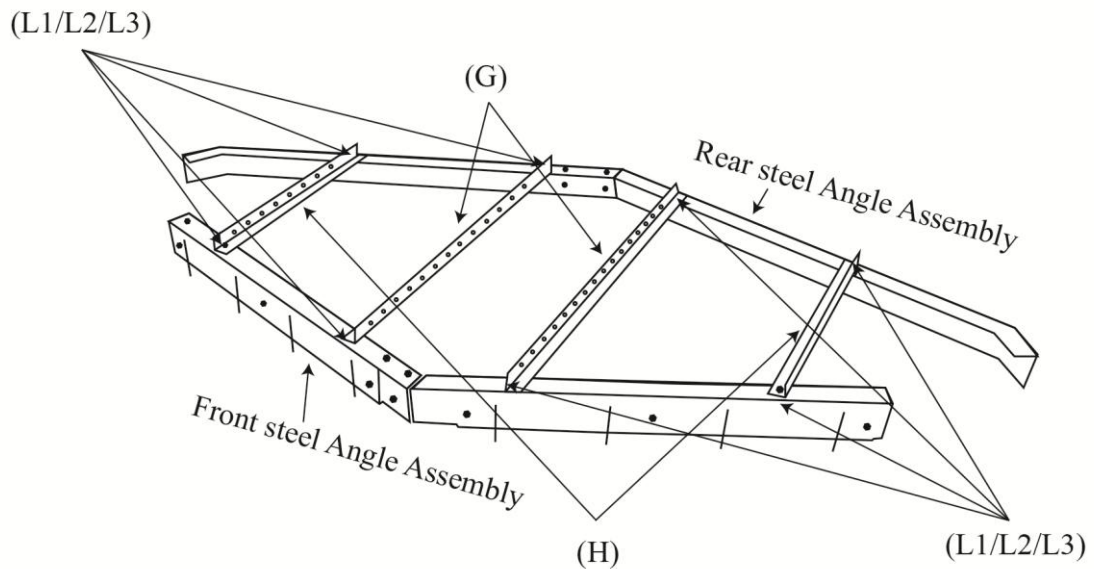
Step 3: Front Steel Assembly: Connect the above 2 assemblies (step1 + step2) using M10 x 25 bolt (L1), lock nut (L2) , washer (L3) and M10 x 30 bolt (K1), lock nut (K2) and washer (K3). Do not tighten hardware at this point.



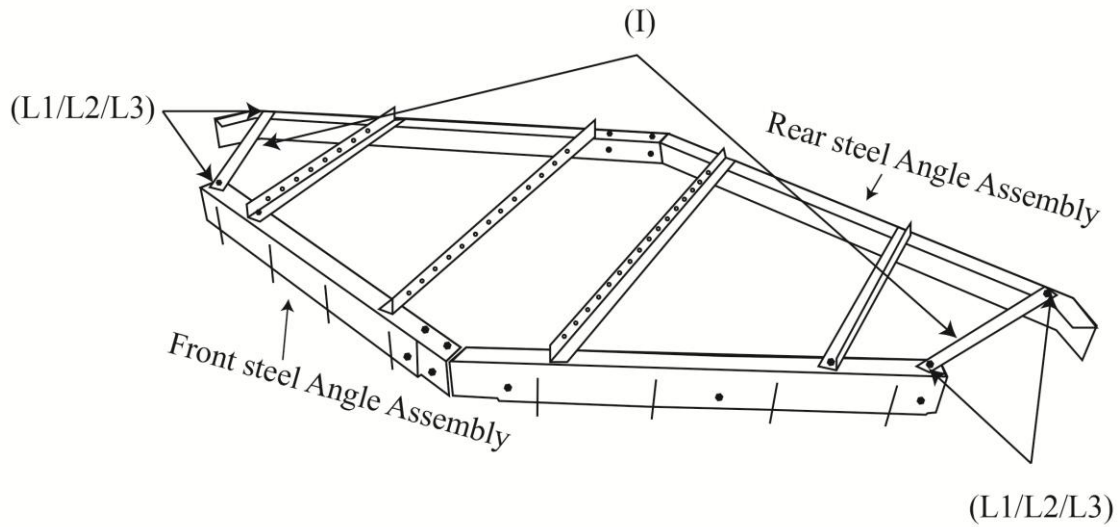
Step 4: Rear Steel assembly: Connect the Right Long Angle Steel (A) with Left Long Angle Steel (B) using M10 x 25 bolt (L1), lock nut (L2) and washer (L3). Do not tighten hardware at this point.



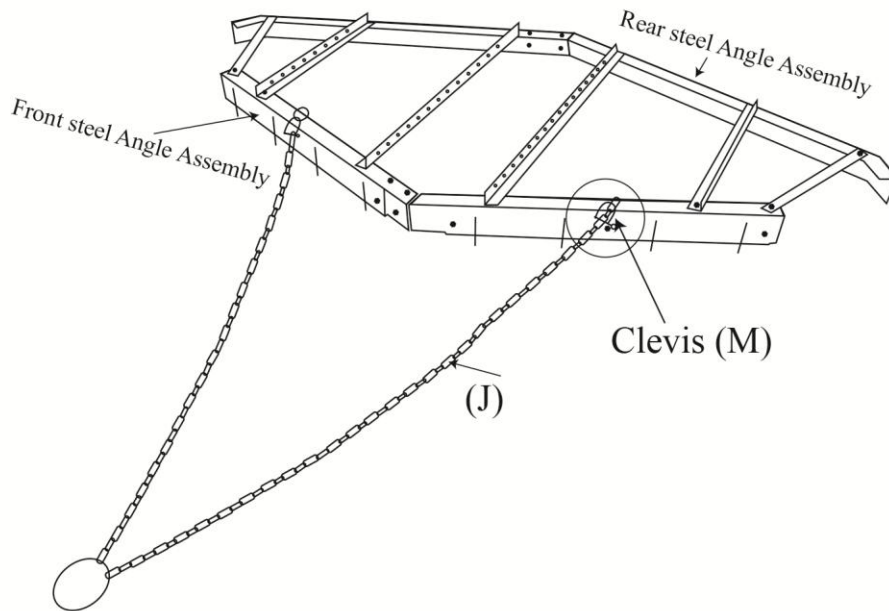
Step 5: Connect the Front Steel Angle Assembly to the Rear Steel Angle Assembly. Assemble using the two Long Angle Steel Supports (G) and two Short Angle Steel Supports (H), please note the angles must be facing inwards in order to hold the weights. Assemble these parts using M10 x 25 bolt (L1), lock nut (L2) and washer (L3). Do not tighten hardware at this point.



Step 6: Connect the Front Steel Angle Assembly to the Rear Steel Angle Assembly with the two Steel connecting Straps (I) using M10 x 25 bolt (L1), lock nut (L2) and washer (L3). Do not tighten hardware at this point.



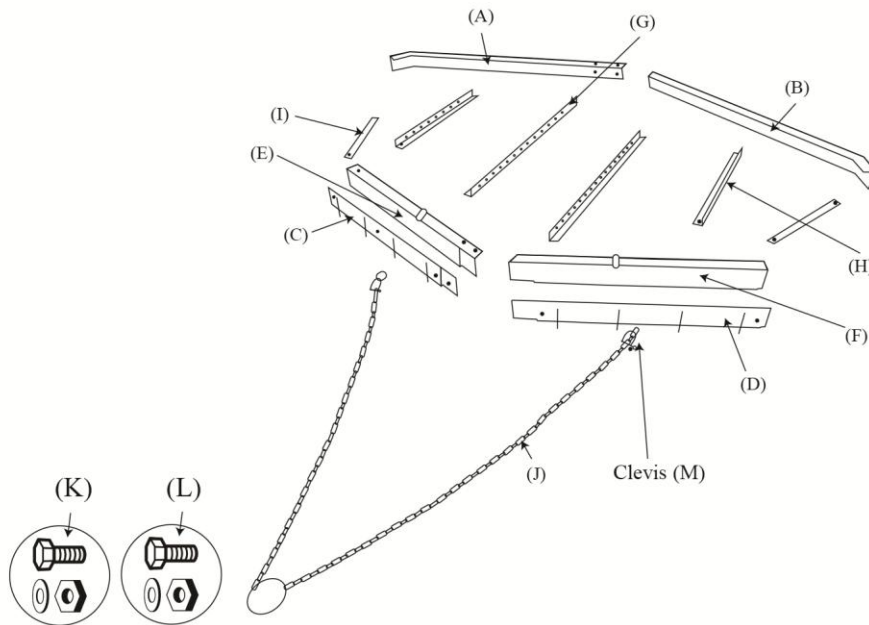
Step 7: Connect the Pull Chain (J) using the Clevis (M) on the Front Steel Angle Assembly. Tighten all hardware.



MAINTENANCE

- **Maintain your landscape drag.** It is recommended that the general condition of any landscape drag be examined before it is used. Keep your landscape drag in good repair by adopting a program of conscientious repair and maintenance. If any abnormal vibrations or noise occurs, have the problem corrected before further use. Have necessary repairs made by qualified service personnel.

DIAGRAM & PARTS LIST



PART#	DESC	QTY	PART#	DESC	QTY
A	Right Long Angle Steel	1	J	Pull Chain	1
B	Left Long Angle Steel	1	K1	M10 x 30 bolt	2
C	Right Flat Steel with Tines	1	K2	Lock nut M10	2
D	Left Flat Steel with Tines	1	K3	Washer M10	2
E	Right Short Angle Steel	1	L1	M10 x 25 bolt	23
F	Left Short Angle Steel	1	L2	Lock nut M10	23
G	Long Angle Steel Support	2	L3	Washer M10	23
H	Short Angle Steel Support	2	M	Clevis	2
I	Steel Connecting Straps	2			

For replacement parts and technical questions, please call 1-218-943-6296.

WARRANTY

One-year limited parts warranty



TG
 PO BOX 203
 Miltona, MN 56354
 Made in CHINA