

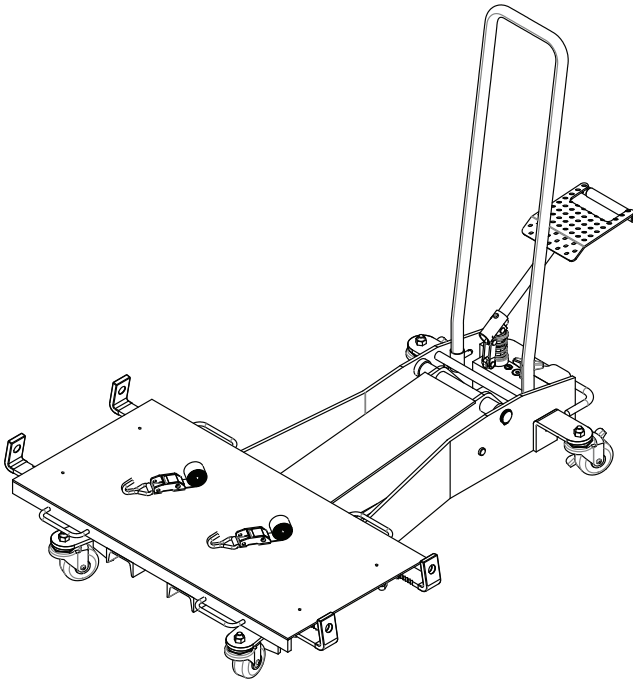
Operating Instructions & Parts Manual

OMEGALIFT™
EQUIPMENT
Stands Behind The Professionals

DPF Handler

Model
46500

Capacity
500 Lbs



⚠ WARNING: Cancer and Reproductive Harm.
www.P65Warnings.ca.gov



This is the safety alert symbol. It is used to alert you to potential personal injury hazards. Obey all safety messages that follow this symbol to avoid possible injury or death.

SFA Companies
<http://www.omegalift.com>

Read this manual and follow all the Safety Rules and Operating Instructions before using this product.

46500-MO_082019

SAFETY AND GENERAL INFORMATION

Save these instructions. For your safety, read, understand, and follow the information provided with and on this device before using. The owner and/or operator shall have an understanding of the device, its operating characteristics and safety operating instructions before operating the equipment. The owner and/or operator shall be aware that use and repair of this product may require special skills and knowledge. Instructions and safety information shall be read to and discussed with the operator in the operator's native language, making sure that the operator comprehends their contents, before use of this equipment is authorized. If any doubt exists as to the safe and proper use of this device, remove from service immediately.

Inspect before each use. Do not use if abnormal conditions such as cracked welds, damaged, loose or missing parts are noted. Any equipment that appears damaged in any way, is found to be worn, or operates abnormally shall be removed from service until repaired. If the equipment has been or is suspected to have been subjected to an abnormal load or shock, immediately discontinue use until inspected by a factory authorized repair facility (contact distributor or manufacturer for list of authorized repair facilities). It is recommended that an annual inspection be made by an authorized repair facility. Labels and Operator's Manuals are available from the manufacturer.

PRODUCT DESCRIPTION

The Omega Lift 46500 was designed for the removal and installation of a Diesel Particulate Filter, DPF, and Step Housings. Intended use: to be used in conjunction with other required safety equipment by professionals skilled in the trade of maintenance to large trucks and similar vehicles. The Omega Lift 46500 is designed with a 500 lbs load capacity and can be used to easily remove and install DPF and step housing assemblies. The 4 swivel casters allow the product to be positioned into the proper location for easy removal and installation. The adjustable saddle allows for a multitude of DPF's and step housings to be worked on. The unit comes with tie down straps that should be used to stabilize the load prior to its complete removal from the vehicle.

SPECIFICATIONS

Model	Capacity	Min. Height	Max. Height	Retracted Saddle Size	Extended Saddle Size
46500	500 Lbs	8-5/8"	33-1/2"	31-1/8" x 15-3/4"	43" x 15-3/4"

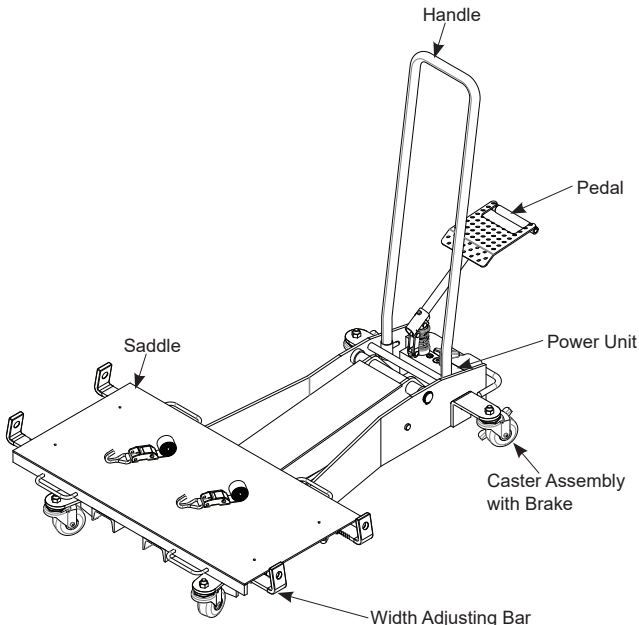


Figure 1 - Typical DPF Handler Nomenclature

PREPARATION

Before Use

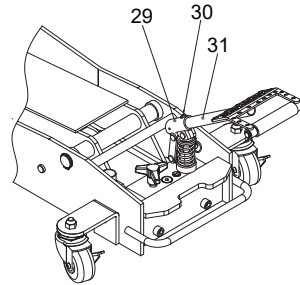
1. Verify that the product and application are compatible, if in doubt call Omega Tech Service (888) 332-6419.
2. Before using this product, read the operator's manual completely and familiarize yourself thoroughly with the product, its components and recognize the hazards associated with its use.
3. To familiarize yourself with basic operation, locate and turn the release valve:
 - a. Clockwise until firm resistance is felt to further turning. This is the 'CLOSED' release valve position used to raise the saddle.
 - b. Counter-clockwise, but no more than 1/2 turn from the closed position. This is the 'OPEN' release valve position used to lower the saddle.
4. With saddle fully lowered, and release valve closed, pump the operating handle. If lift arm responds immediately, jack is ready for use. If jack does not respond, follow Bleeding/Venting Trapped Air procedure below.
5. Ensure that jack rolls freely. Raise and lower the unloaded saddle throughout the lifting range before putting into service to ensure the pump operates smoothly. Replace worn or damaged parts and assemblies with Omega authorized replacement parts only.

Bleeding/Venting Trapped Air

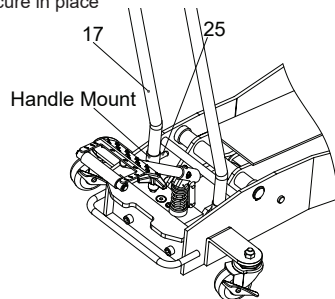
With the Release Valve in the OPEN position (3b above) and Saddle fully lowered, locate and remove the Oil Filler Plug/Screw. Pump Handle 6 to 8 full strokes. This will help release any pressurized air which may be trapped within the reservoir. Check oil level and reinstall Oil Filler Plug/Screw.

ASSEMBLY

1. Assemble Pedal: Insert Pedal (31) into Handle sleeve (29) and use Screw (30) to secure in place.

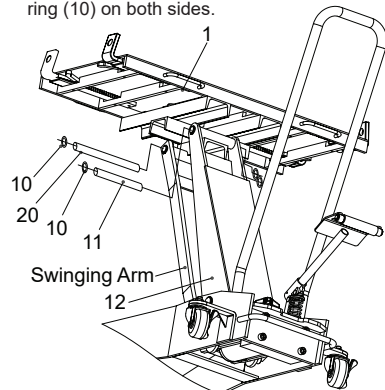


2. Assemble Handle: Put Handle (17) into Handle Mount, Align the hole and insert the Pin (25) to secure in place



3. Assemble Saddle:

1. Close release valve and lift the Lifting arm.
2. Align the hole between Saddle Assembly (1) and Lifting Arm Assembly (12), insert the Pin (11) into the hole (If necessary use a hammer to lightly tap the Pin (11) into the hole), and attach the C ring (10) on both sides.
3. Align the hole between Saddle Assembly (1) and Swinging Arm, insert the Pin (20) into the hole If necessary use a hammer to lightly tap the Pin (20) into the hole), and assemble the C ring (10) on both sides.



⚠WARNING

- Study, understand, and follow all instructions before operating this device.
- Do not exceed rated capacity.
- Use only on hard, level surfaces.
- Adequately support the vehicle before starting repairs.
- Use of this product is limited to removal, installation, and transportation in the lowered position, of DPF assemblies and step housings.
- No alterations shall be made to this product.
- Only attachments and/or adaptors supplied by the manufacturer shall be used.
- Failure to heed these markings may result in personal injury and/or property damage.

⚠WARNING



To avoid crushing and related injuries: NEVER work on, under or around a load supported only by a hydraulic jack. Immediately transfer the load to an appropriate work station.

OPERATION

Follow the instruction for removal and installation of DPF assemblies and step housings in accordance with the vehicle manufacturer's service manual.

Lifting

Use foot or hand to operate lifting pedal until saddle reaches desired position. Secure load to saddle with provided straps. Once secured to saddle, remove DPF assembly or step housing from vehicle.

⚠ WARNING: Ensure load center of gravity is centered on saddle and is stabilized before moving jack. An offcenter load could cause jack to tip or flip over.

⚠ WARNING: Do not use this jack as a workstation.

Lowering

⚠ WARNING: Clear all tools and personnel before lowering load. Open release valve slowly. The further handle knob is turned counter-clockwise, the faster the load will descend. Maintain control of load at all times.

1. Turn release knob counter-clockwise, but no more than 1 full turn, to lower load.
2. When jack is not in use, fully retract the jack to reduce ram exposure to rust and contamination.

MAINTENANCE

Occasionally grease pivot pins and inspect snap rings and bolts for proper fitment and torque. Keep power unit free of debris and filled with proper hydraulic fluid.

Lubrication

A periodic coating of light lubricating oil to pivot points, axles and hinges will help to prevent rust and assure that wheels move freely and the pump functions smoothly.

Cleaning

Periodically check the ram for signs of rust or corrosion. Clean as needed and wipe with an oily cloth.

NOTICE: Do not use sandpaper or abrasive material on ram and pump piston surfaces.

Storage

When not in use, store the jack with saddle fully lowered.

TROUBLESHOOTING

Symptom	Possible Causes	Corrective Action
Jack will not lift load	<ul style="list-style-type: none"> • Release valve not tightly closed • Load is too heavy • Air supply inadequate 	<ul style="list-style-type: none"> • Ensure release valve tightly closed • Consider higher capacity jack • Ensure adequate air supply
Jack will lift, but not maintain pressure	<ul style="list-style-type: none"> • Release valve not tightly closed • Hydraulic unit malfunction 	<ul style="list-style-type: none"> • Ensure release valve tightly closed • Discontinue use, contact Omega technical service
Jack will not lower after unloading	<ul style="list-style-type: none"> • Reservoir overfilled 	<ul style="list-style-type: none"> • Drain fluid to proper level
Poor lift performance	<ul style="list-style-type: none"> • Fluid level low • Air trapped in system 	<ul style="list-style-type: none"> • Ensure proper fluid level • Follow Bleeding/Venting Trapped Air procedure on page 2 & 3
Will not lift to full extension	<ul style="list-style-type: none"> • Fluid level low 	<ul style="list-style-type: none"> • Ensure proper fluid level

REPLACEMENT PARTS

Not all components of the jack are replacement items, but are illustrated as a convenient reference of location and position in the assembly sequence. When ordering parts, please give the Model number, part number and parts description. Call or write for current pricing: SFA Companies 10939 N. Pomona Ave. Kansas City, MO 64153, U.S.A. E-Mail: sales@omegalift.com Tel: (888) 332-6419 Fax: (816) 891-6599 Omega Website: <http://www.omegalift.com>

Replacement Parts for model 46500:

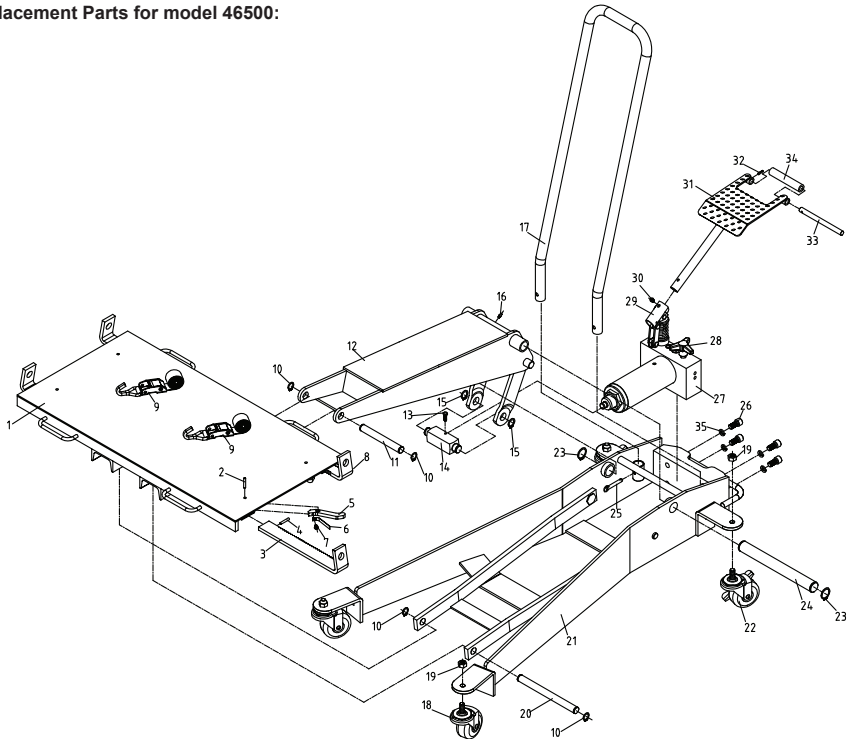


Figure 2 - Replacement Parts Illustration

Item	Part No.	Description	Qty
1	T4400-12000	Saddle Assembly	1
2	GB/T897.1 5x30	Spring Pin 5x30	4
3	T4400-10001	Width Adjusting Bar - I	2
4	GB/T897.1 4x25	Spring Pin 4x25	4
5	T4400-11001	Lock	4
6	T4400-11002	Leaf Spring	4
7	GB/T818 M5x10	Screw M 5x10	4
8	T4400-10002	Width Adjusting Bar - II	2
9	T4400-60000	Tensioning Device Assembly	2
10	GB894.1 18	"C" RING 18mm	4
11	G410-00002-00	Pin	1
12	T4400-31000	Lifting Arm Assembly	1
13	GB/T5781 M6x10	Screw M 6x10	1
14	4200-04001-000	Piston Rod	1
15	GB894.1 20	"C" RING 20mm	2
16	5701-00006-000	zerk	1
17	T4400-00002	Handle	1
18	T4400-52000	Caster Assembly without Brake	2

Item	Part No.	Description	Qty
19	GB/T889 12	Nut M 12	4
20	T4400-00001	Pin	1
21	T4400-20000	Frame Assembly	1
22	T4400-51000	Caster Assembly with Brake	2
23	GB894.1 28	"C" RING 28mm	2
24	4200-0002-000	Lifting Arm Shaft	1
25	T1250-20006-000	Pin	2
26	GB/T70 M10x25	Screw M10x25	4
27	T4400-70000	Power Unit	1
28	4500-01500-000	Release Valve	1
29	T5500-Q-0016	Handle Sleeve	1
30	GB/T818 M6x8	Screw M6x8	1
31	T4400-41000	Pedal	1
32	GB/T897.1 4x16	Spring Pin 4*16	2
33	T4400-40001	Pin	1
34	T4400-40002	Foamed Plastic Sleeve	1
35	GB/T859 10	Spring Washer M10	4

ONE YEAR LIMITED WARRANTY

For a period of one (1) year from date of purchase, **SFA COMPANIES, INC.** will repair or replace, at its option, without charge, any of its products which fails due to a defect in material or workmanship under normal usage. This limited warranty is a consumer's exclusive remedy.

Performance of any obligation under this warranty may be obtained by returning the warranted product, freight prepaid, to **SFA COMPANIES, INC.** Warranty Service Department, 10939 N. Pomona Ave., Kansas City, MO 64153.

Except where such limitations and exclusions are specifically prohibited by applicable law, (1) THE CONSUMER'S SOLE AND EXCLUSIVE REMEDY SHALL BE THE REPAIR OR REPLACEMENT OF DEFECTIVE PRODUCTS AS DESCRIBED ABOVE. (2) **SFA COMPANIES, INC.** SHALL NOT BE LIABLE FOR ANY CONSEQUENTIAL OR INCIDENTAL DAMAGE OR LOSS WHATSOEVER. (3) ANY IMPLIED WARRANTIES, INCLUDING WITHOUT LIMITATION THE IMPLIED WARRANTIES OF MERCHANTABILITY AND FITNESS FOR A PARTICULAR PURPOSE, SHALL BE LIMITED TO ONE YEAR. OTHERWISE THE REPAIR, REPLACEMENT OR REFUND AS PROVIDED UNDER THIS EXPRESS LIMITED WARRANTY IS THE EXCLUSIVE REMEDY OF THE CONSUMER, AND IS PROVIDED IN LIEU OF ALL OTHER WARRANTIES, EXPRESS OR IMPLIED. (4) ANY MODIFICATION, ALTERATION, ABUSE, UNAUTHORIZED SERVICE OR ORNAMENTAL DESIGN VOIDS THIS WARRANTY AND IS NOT COVERED BY THIS WARRANTY.

Some states do not allow limitations on how long an implied warranty lasts, so the above limitation may not apply to you. Some states do not allow the exclusion or limitation of incidental or consequential damages, so the above limitation or exclusion may not apply to you. This warranty gives you specific legal rights, and you may also have other rights, which vary from state to state.

NOTES