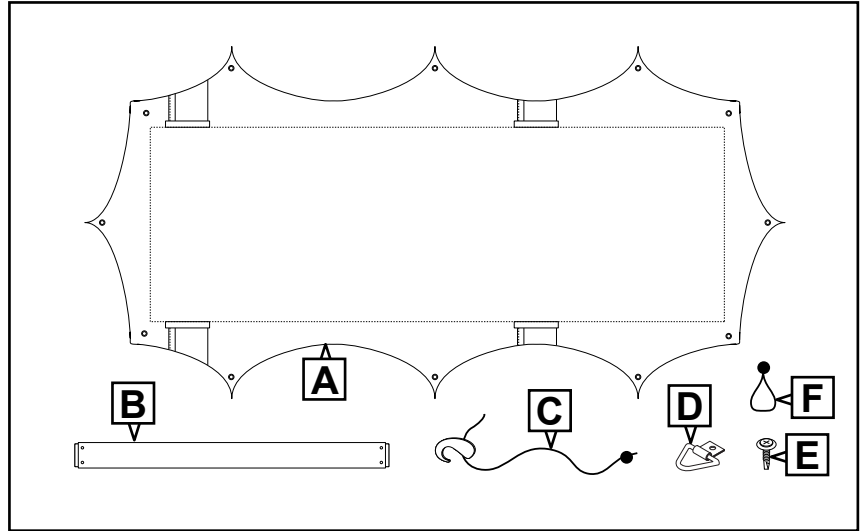


ASSEMBLY AND OPERATION

PARTS LIST

Qty Description

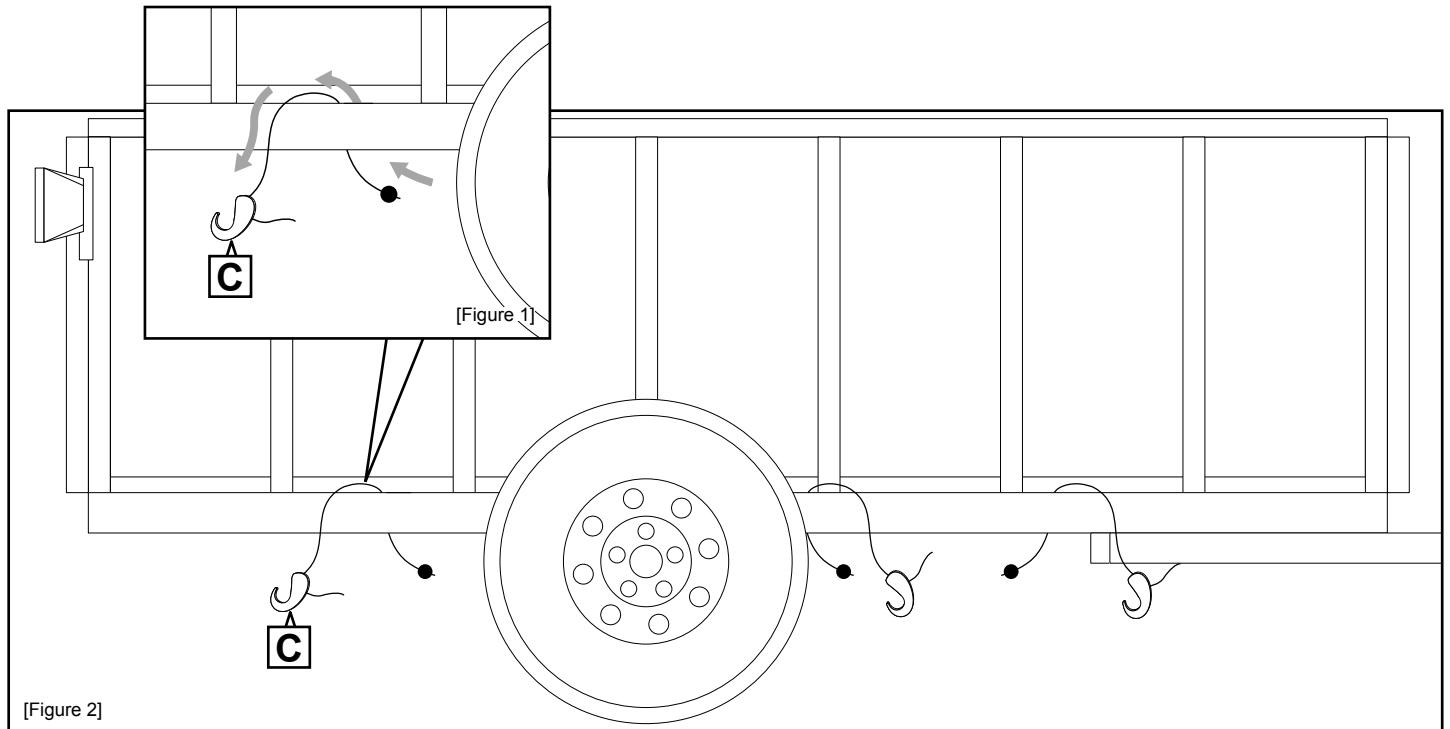
- A** 1 SEAL SKIN™ COVER
- B** 4 BATONS
- C** 8 BUNGEE CORD WITH HOOK
- D** 1 CLIP & DEE
- E** 1 SELF-DRIVING TEK SCREW
- F** 4 SMALL BUNGEE WITH TOGGLE



STEP 1:

Insert **three (3)** Bungee Cords with Hook sets **[C]** between the trailer frame tube and the trailer body on *each* side of the trailer as shown [Figure 1].

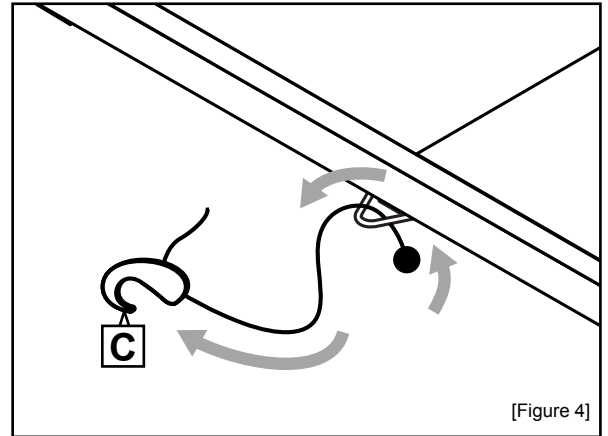
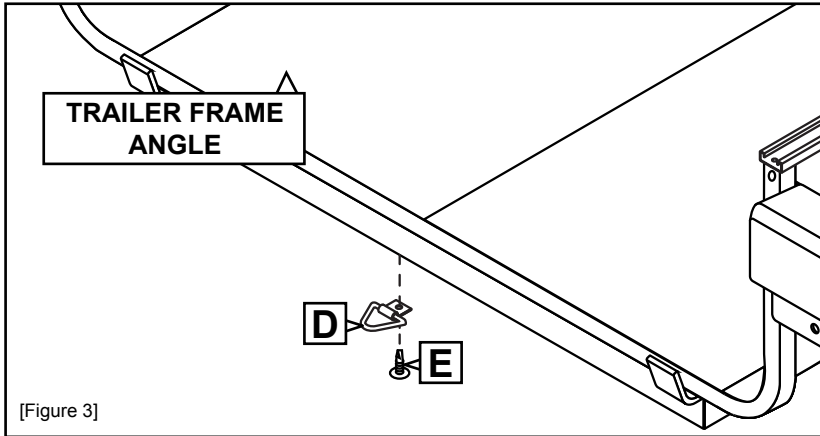
NOTE: The Bungee Cords with Hooks **[C]** should be placed so that the Toggle Ball is trapped on the inside of trailer chassis [Figure 2].



STEP 2:

Using one (1) self driving Tex Screw **[E]**, mount one (1) Clip & Dee **[D]** underneath the trailer Frame Angle on the back of the trailer. [Figure 3]

Run the one (1) Bungee Cable With Hook **[C]** through the Clip & Dee trapping the Toggle Ball end of the Bungee Cord underneath the Trailer. [Figure 4]

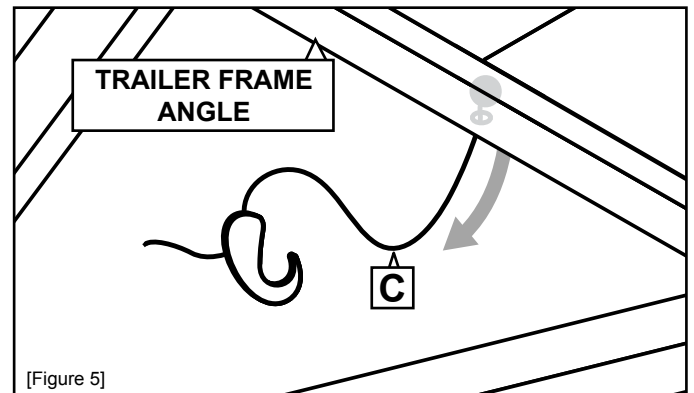


STEP 3:

Remove the Hook from the last Bungee Cable **[C]** and Run the Cable down through the hole in center of the Frame Angle in the front of the Trailer so that the Toggle Ball locks inside of the frame angle. [Figure 5]

Re-attach the Hook onto the end of the Bungee Cord **[C]**.

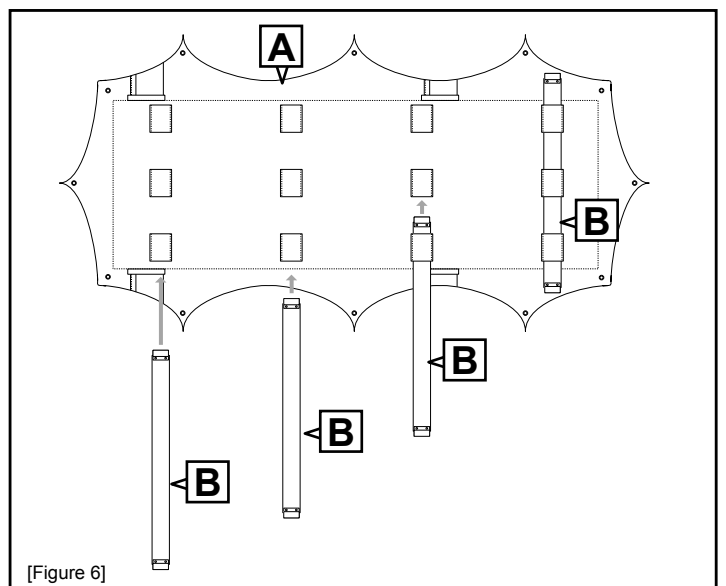
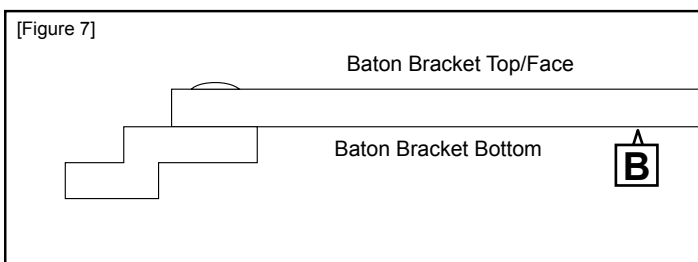
NOTE: Refer to your Trailer Manual for information of Trailer parts referenced.



Step 4:

Unfold and layout the Seal Skin Cover **[A]** *faced down* with interior pockets showing.

Insert all four Support Batons **[B]** *face down* into the interior pockets as shown [Figure 6 & 7].



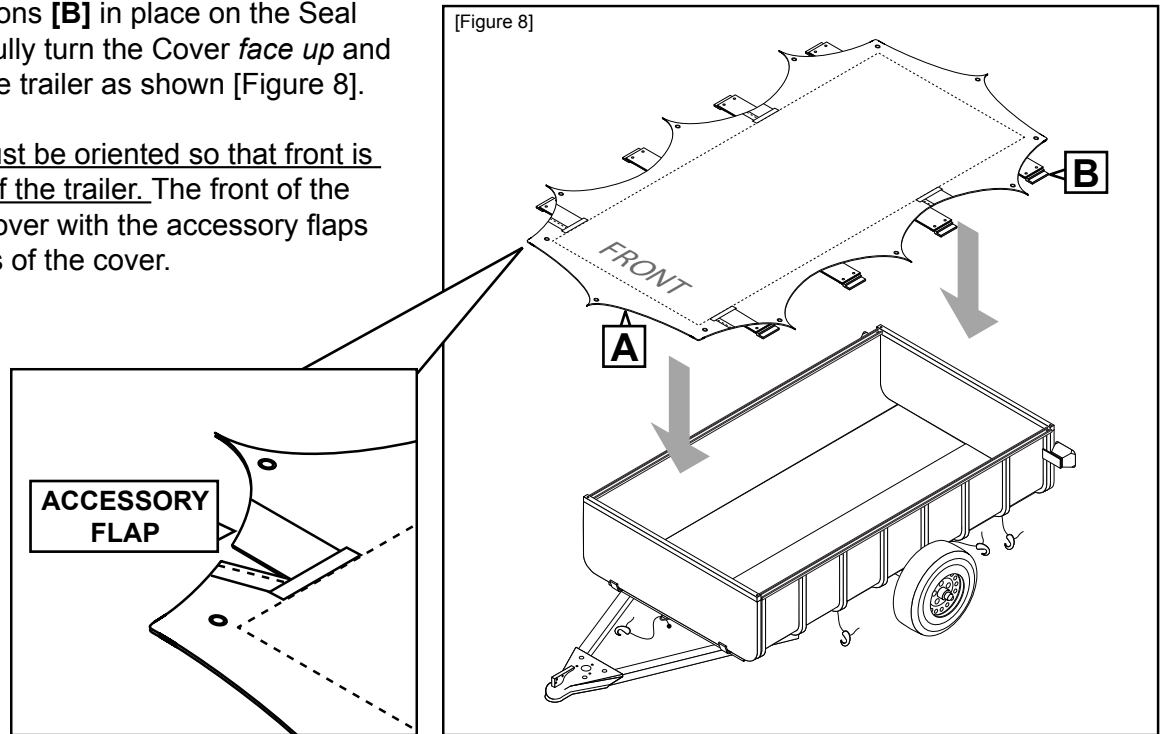
Step 5:

NOTE: Users with Rack Bar accessories (sold separately) should read the section “**USE WITH RACK BAR ACCESSORIES**” on page 5 before attaching the cover proceeding with this step.

With the Support Batons **[B]** in place on the Seal Skin cover **[A]**, carefully turn the Cover *face up* and lay the Cover over the trailer as shown [Figure 8].

NOTE: The cover must be oriented so that front is towards the tongue of the trailer. The front of the cover is side of the cover with the accessory flaps closest to the corners of the cover.

TIP: For everyday use, users may find it easier to transfer the cover on & off the trailer by storing the cover *rolled up* allowing the cover to be easily carried and un-rolled over the trailer for quick attachment.

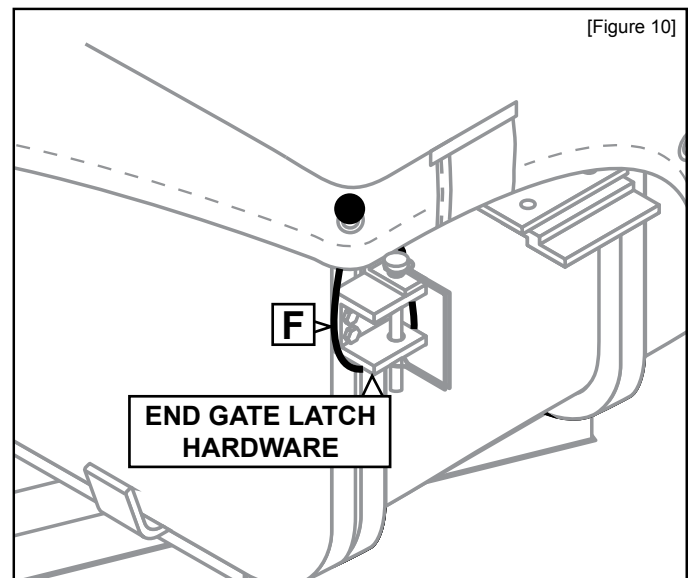
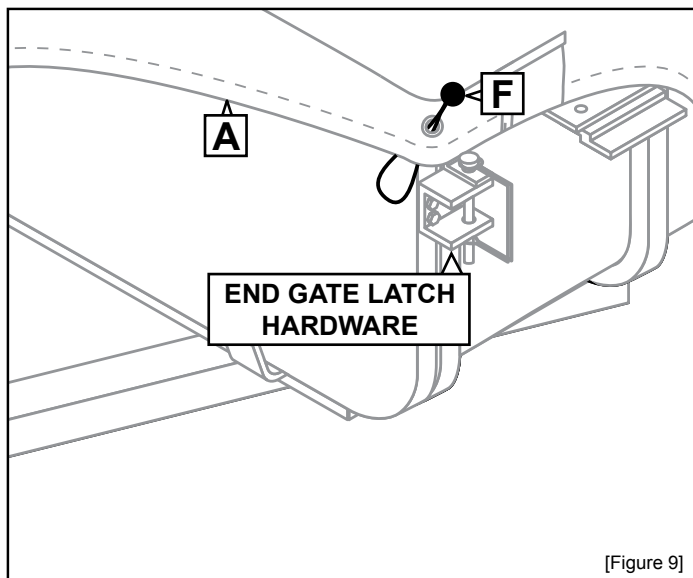


Step 6:

Starting with one corner of the trailer. Slide the Bungee end of the Small Bungee **[F]** through the top of the Cover **[A]**. [Figure 9]

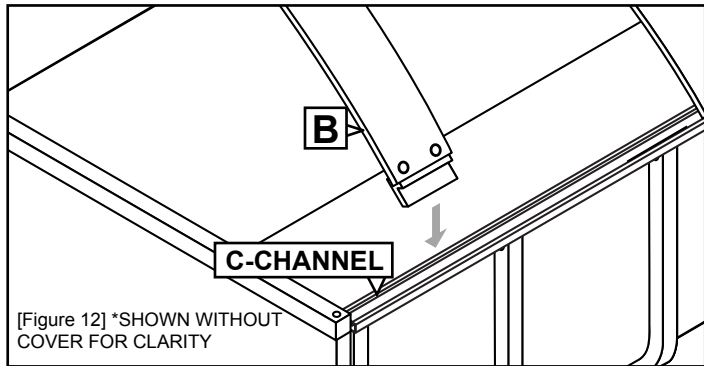
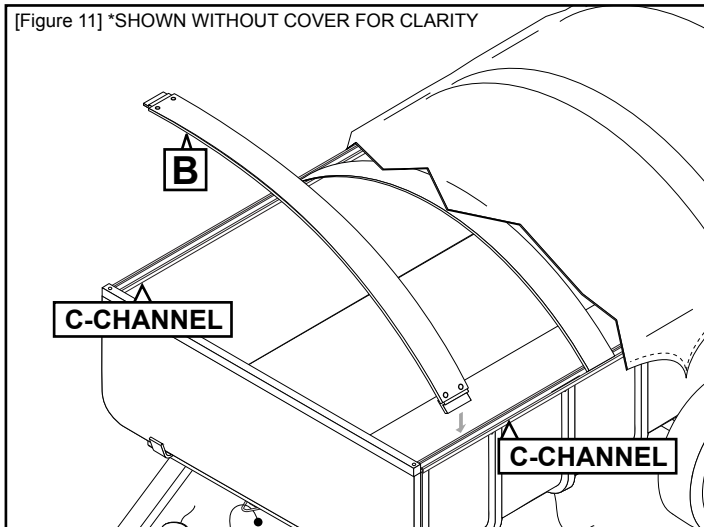
Wrap the Bungee end of the Small Bungee **[F]** around the End Gate Latch Hardware to secure the corner of the Seal Skin Cover **[A]** to the trailer. [Figure 10]

Repeat this Step for all four corners of the Trailer.

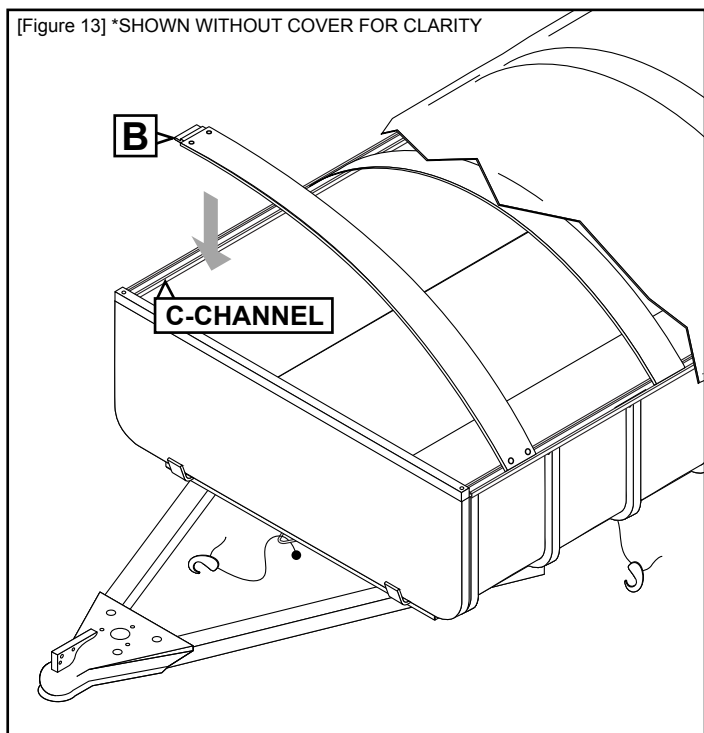


Step 7:

[Figure 11] *SHOWN WITHOUT COVER FOR CLARITY



[Figure 12] *SHOWN WITHOUT COVER FOR CLARITY



[Figure 13] *SHOWN WITHOUT COVER FOR CLARITY

NOTE: Illustrations are shown without the Seal Skin Cover [A] for clarity.

Working with one end at a time, insert both ends of each Support Baton [B] into the C-Channel track located on the top of either side of the trailer side walls creating an arch as shown. [Figure 11, 12, & 13]

Repeat this step for all four Support Batons [B].

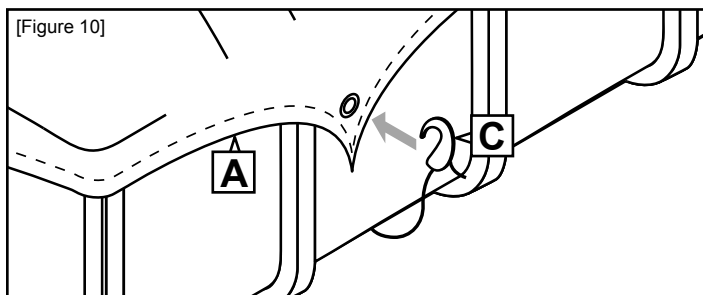
⚠ WARNING:

To avoid personal injury, damage and/or loss of cargo. All connections must be secured before transit. Always be sure all cargo is fully seated before applying the Seal Skin Cover.

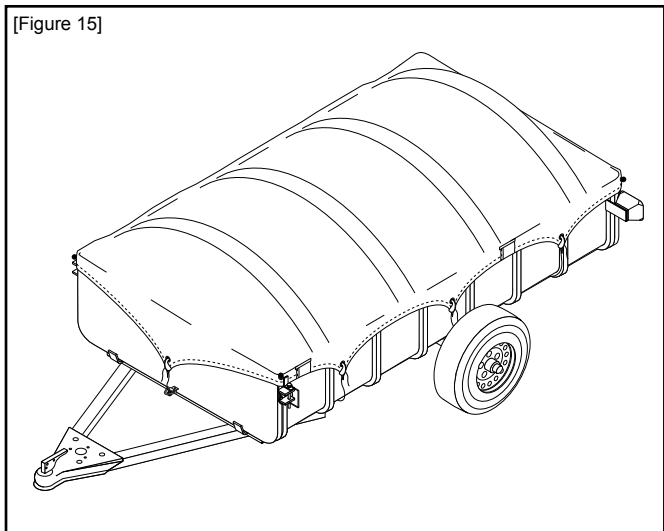
Step 8:

Stretch the hooked ends of Bungee Cords [B] upwards and insert each hook into the eyelets located on the Seal Skin Cover [A] to secure cover. [Figure 14 & 15]

NOTE: Some Hook Bungee Lengths may need be adjusted.



[Figure 10]



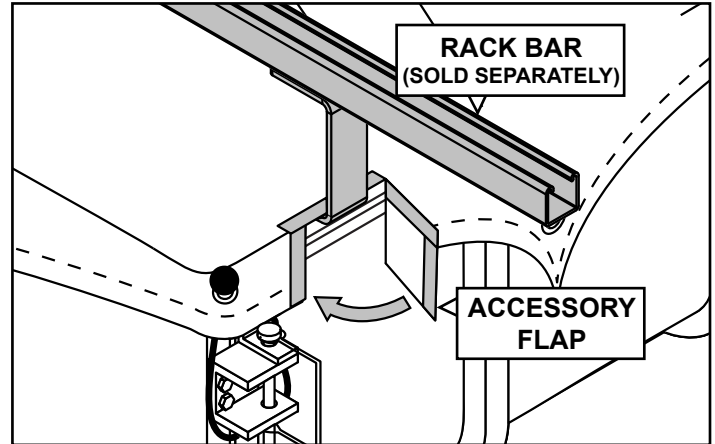
[Figure 15]

USE WITH RACK BAR ACCESSORIES

Four (4) velcro Accessory Flaps are sewn into the cover to allow for Rack Bar Mounts (sold separately).

To use with Rack Bar mounts, align the mounts on the trailer to the Accessory Flaps on the cover.

Once positioned, attach the cover (STEPS 5-8) under the Rack Bars and then close the velcro flap over each vertical mounting bar to seal the cover.



FIT TIPS:

The Seal Skin Cover is designed to be **very tight**.

If you are having difficulty fitting the cover, loosen all of the End Gate Brackets and place the Seal Skin cover on with the brackets loose. Once the cover is fit over the trailer, *then* re-tighten the brackets.

WARRANTY INFORMATION

Let's Go Aero covers have a one (1) year limited warranty period to the original owner from the time of purchase against defects in improper workmanship. Be sure to inspect your cover before use. Normal wear and tear, improper use, abuse, or alteration are not covered under the warranty policy, nor damage caused by weather.

Let's Go Aero will replace or repair defective parts. Replacement parts may be new or re-built at Let's Go Aero's sole discretion. Proof of purchase (receipt) must be provided. If you do not provide proof of purchase, or if your warranty period has ended, replacement parts can be purchased. Contact Let's Go Aero for assistance at 877-464-2376 or 719-630-3800, visit www.letsgoaero.com, or email support@letsgoaero.com.

Technical Support:

For assistance with this product, please contact us:

Let's Go Aero, Inc.

5353 N. Union Blvd, Suite 103, Colorado Springs, CO, 80918, USA

Phone: 877-464-2376 or 719-630-3800

Email: Support@LetsGoAero.com

To learn more about our products and stay informed about useful options for transporting all kinds of gear with your carrier, be sure to visit our website: www.LetsGoAero.com

To register your product, visit the Let's Go Aero website at www.LetsGoAero.com

Patent and trademark protected. Copyright © 2022, Lets Go Aero, Inc., All rights reserved.

