



Hydraulic Air/Manual Bottle Jack Operating Instructions & Parts Manual

Model
BH2219

Capacity
20 Ton

U.S. Patent No.'s. 5,341,723 - 5,946,912



This is the safety alert symbol. It is used to alert you to potential personal injury hazards. Obey all safety messages that follow this symbol to avoid possible injury or death.

 WARNING	
	<i>To avoid crushing and related injuries: NEVER work on, under or around a load supported only by a hydraulic jack. ALWAYS use a pair of adequately rated jack stands.</i>

SFA Companies
10939 N. Pomona Ave. Kansas City, MO 64153
sales@blackhawk-automotive.com

Read this manual and follow all the Safety Rules and Operating Instructions before using this product.

Printed in China
BH2219-M0-012013

SAFETY AND GENERAL INFORMATION

Save these instructions. For your safety, read, understand, and follow the information provided with and on this device before using. The owner and/or operator shall have an understanding of the device, its operating characteristics and safety operating instructions before operating the equipment. The owner and/or operator shall be aware that use and repair of this product may require special skills and knowledge. Instructions and safety information shall be read to and discussed with the operator in the operator's native language, making sure that the operator comprehends their contents, before use of this equipment is authorized. If any doubt exists as to the safe and proper use of this device, remove from service immediately.

Inspect before each use. Do not use if abnormal conditions such as cracked welds, damaged, loose or missing parts are noted. Any equipment that appears damaged in any way, is found to be worn, or operates abnormally shall be removed from service until repaired. If the equipment has been or is suspected to have been subjected to an abnormal load or shock, immediately discontinue use until inspected by a factory authorized repair facility (contact distributor or manufacturer for list of authorized repair facilities). It is recommended that an annual inspection be made by an authorized repair facility. Labels and Operator's Manuals are available from the manufacturer.

PRODUCT DESCRIPTION

Blackhawk Hydraulic Air/Manual Bottle Jack is designed to lift rated capacity loads consisting of one end of a vehicle. Immediately after lifting, the load must be supported by a pair of appropriately rated jack stands. Ensure that air source can dedicate 7.8 CFM @ 110-175 psi to each jack operated. A minimum of 150 psi air pressure is required to raise rated capacity load.

⚠ WARNING: *Never use a hydraulic jack as a stand alone support device. After lifting, immediately support the vehicle with appropriately rated jack stands. Never place any portion of your body under the vehicle when lifting or lowering.*

PREPARATION

Before Use

1. Before using this product, read the operator's manual completely and familiarize yourself thoroughly with the product, its components and recognize the hazards associated with its use.
2. Verify that the product and application are compatible, if in doubt call Blackhawk Technical Services (816) 891-6390.
3. Assemble handle, ensure spring clips align with slots.
4. To familiarize yourself with basic operation, use the notched end of provided handle to engage and turn the release valve:
 - a. *Clockwise* until firm resistance is felt to further turning. This is the '**CLOSED**' release valve position used to raise the ram plunger.
 - b. *Counter-clockwise*, but no more than 1 turn from the closed position. This is the '**OPEN**' release valve position used to lower the ram plunger.
5. With saddle fully lowered, and release valve closed, pump the operating handle. If ram responds immediately, jack is ready for use. If jack does not respond, follow **Bleeding/Venting Trapped Air** procedure below.
6. Pour a teaspoon of good quality, air tool lubricant into the air supply inlet of the lift control valve. Connect to air supply and squeeze lift control valve for 3 seconds to evenly distribute lubricant.

NOTICE: *This product is equipped with the popular 1/4" NPT air coupler. When installing a different air coupler of your choice, ensure that thread tape or compound is used when servicing connections. To ensure dependable, trouble free operation an in-line air dryer and oiler is recommended.*

7. Check that the pump operates smoothly and that the extension screw adjusts up/down easily before putting into service. Replace worn or damaged parts and assemblies with genuine Blackhawk replacement parts only.

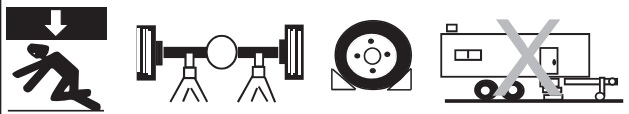
Bleeding/Venting Trapped Air

With the release valve in the OPEN position (4b above) and with ram plunger fully lowered, locate and remove the air vent screw. Insert the handle into the handle sleeve, then pump 6 to 8 full strokes. This will help release any pressurized air which may be trapped within the reservoir. Oil level should be even with the bottom of the oil filler hole. Reinstall the air vent screw.

⚠ WARNING

- Study, understand, and follow all instructions before operating this device.
- Do not exceed rated capacity.
- Use only on hard, level surface.
- This is a lifting device only. Immediately after lifting, support the load with appropriate means.
- Lift only on areas of the vehicle as specified by the vehicle manufacturer.
- No alterations shall be made to this product.
- Only attachments and/or adapters supplied by the manufacturer shall be used.
- Failure to heed these markings may result in personal injury and/or property damage.

⚠ WARNING



To avoid crushing and related injuries:

- Never work on, under or around a load supported only by hydraulic jack.
- Chock unlifted tires in both directions.
- Do not use this device to lift, level, lower, support nor move a house, mobile home, travel trailer, camper or any building structure.
- Be alert and sober when using this product. Do not operate under the influence of drugs or alcohol.

SPECIFICATIONS

Model	Capacity	Base Size (L x W)	Min. Height	Max. Height
BH2219	20 Ton	9" x 6-3/4"	9-5/8"	18-7/8"

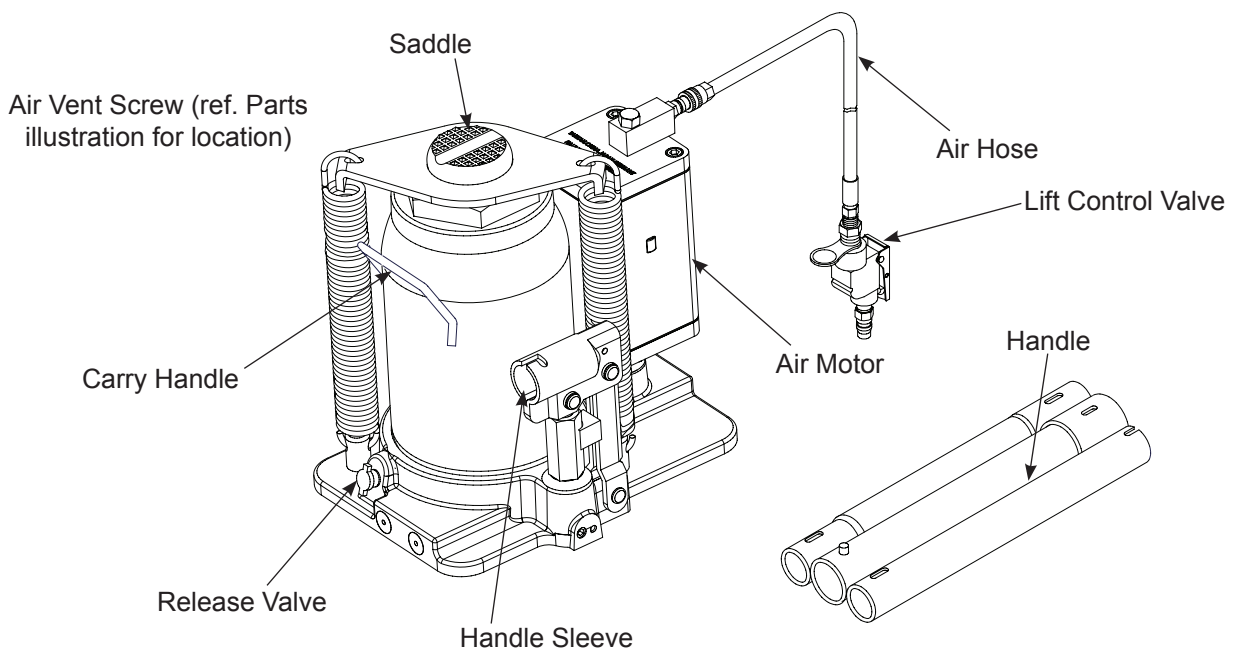


Figure 1 - BH2219 Nomenclature

OPERATION

Raising the Ram Plunger

1. Assemble handle, ensure that spring clips align with slots.
2. Place vehicle in park, with emergency brake on and wheels securely chocked to prevent inadvertent vehicle movement.
3. Close release valve by turning handle clockwise until firm resistance is felt.

NOTICE: *Always use the provided pump handle. The handle furnished with this jack will safely engage the release valve and operate the Handle Sleeve. If handle is worn, operates abnormally, or will not positively engage the release valve, discontinue use of the jack until a factory replacement handle can be acquired.*

4. Verify lift point, center jack saddle under lift point.

⚠ WARNING: *Never wire, clamp or otherwise enable the lift control valve to function by other than operator's hand. Do not attempt operating pump by air and by handle simultaneously.*

5. Squeeze the lift control valve or insert handle into handle sleeve and pump to contact lift point. To lift, continue pumping until load reaches desired height.
6. Immediately transfer the load to a pair of appropriately rated jack stands.

NOTICE: *Do not use extensions on air hose or operating handle.*

Lowering

⚠ WARNING: *Clear all tools and personnel before lowering load. Open release valve slowly. The further handle is turned counter-clockwise, the faster the load will descend. Maintain control of the load at all times.*

1. Raise load high enough to clear the jack stands, then carefully remove jack stands.
2. Slowly turn the handle counter-clockwise, but no more than 1/2 turn. *If the load fails to lower:*
 - a. Use another jack to raise the vehicle high enough to reinstall jack stands.
 - b. Remove the affected jack and then the stands.
 - c. Lower the load using the functioning jack.
3. After removing jack from under the load, push ram and handle sleeve down to reduce exposure to rust and contamination.

MAINTENANCE

NOTICE: *Use premium quality hydraulic jack oil. Avoid mixing different types of fluid and NEVER use brake fluid, turbine oil, transmission fluid, motor oil or glycerin. Improper fluid can cause premature failure of the jack and the potential for sudden and immediate loss of load.*

Adding oil

1. With ram plunger fully lowered and pump piston fully depressed, set jack in its upright, level position. Remove air vent screw.
2. Fill with oil until just below the rim of the air vent screw hole. Reinstall the air vent screw.

Changing oil

For best performance and longest life, completely replace the fluid supply at least once per year.

1. With ram plunger fully lowered and pump piston fully depressed, remove the air vent screw.
2. Lay the jack on its side and drain the fluid into a suitable container.

NOTICE: *Dispose of hydraulic oil in accordance with local environmental regulations.*

3. Fill with oil until just below the rim of the air vent screw hole. Reinstall the air vent screw.

Lubrication

1. A periodic coating of light lubricating oil to pivot points, axles and hinges will help to prevent rust and assure that pump assemblies move freely.
2. When used on a daily basis, air pump should be internally lubricated before each use. Use premium quality air tool lubricant. If no inline oiler is used, pour a teaspoon of air tool oil into the inlet of the air control valve. Simply operate the jack using the air feature in order to fully distribute the oil.

Cleaning

Periodically check the pump piston and ram plunger for signs of rust or corrosion. Clean as needed and wipe with an oily cloth.

NOTICE: *Do not use sandpaper or abrasive material on ram and pump piston surfaces.*

Storage

When not in use, store the jack with pump piston and ram plunger fully retracted and air supply disconnected.

TROUBLESHOOTING

Symptom	Possible Causes	Corrective Action
Jack will not lift load	<ul style="list-style-type: none"> • Release valve not tightly closed • Overload condition • Air pressure inadequate 	<ul style="list-style-type: none"> • Ensure release valve tightly closed • Remedy overload condition • Ensure adequate air pressure
Jack will lift, but not maintain pressure	<ul style="list-style-type: none"> • Release valve not tightly closed • Hydraulic unit malfunction 	<ul style="list-style-type: none"> • Ensure release valve tightly closed • Contact Blackhawk Tech. Service
Jack will not lower after unloading	<ul style="list-style-type: none"> • Reservoir overfilled 	<ul style="list-style-type: none"> • Ensure load is removed, then drain fluid to proper level
Poor lift performance	<ul style="list-style-type: none"> • Fluid level low • Air trapped in system 	<ul style="list-style-type: none"> • Ensure proper fluid level • With ram fully retracted, remove oil filler screw to let pressurized air escape, then reinstall oil filler screw
Will not lift to full extension	<ul style="list-style-type: none"> • Fluid level low 	<ul style="list-style-type: none"> • Ensure proper fluid level

REPLACEMENT PARTS

Not all components of the jack are replacement items, but are illustrated as a convenient reference of location and position in the assembly sequence. When ordering parts, give Model number, serial number and parts description. Call or write for current pricing: SFA Companies Inc. 10939 N. Pomona Ave. Kansas City, MO 64153, U.S.A. Tel:(816)891-6390 Fax:(816)891-6599 E-Mail: sales@blackhawk-automotive.com

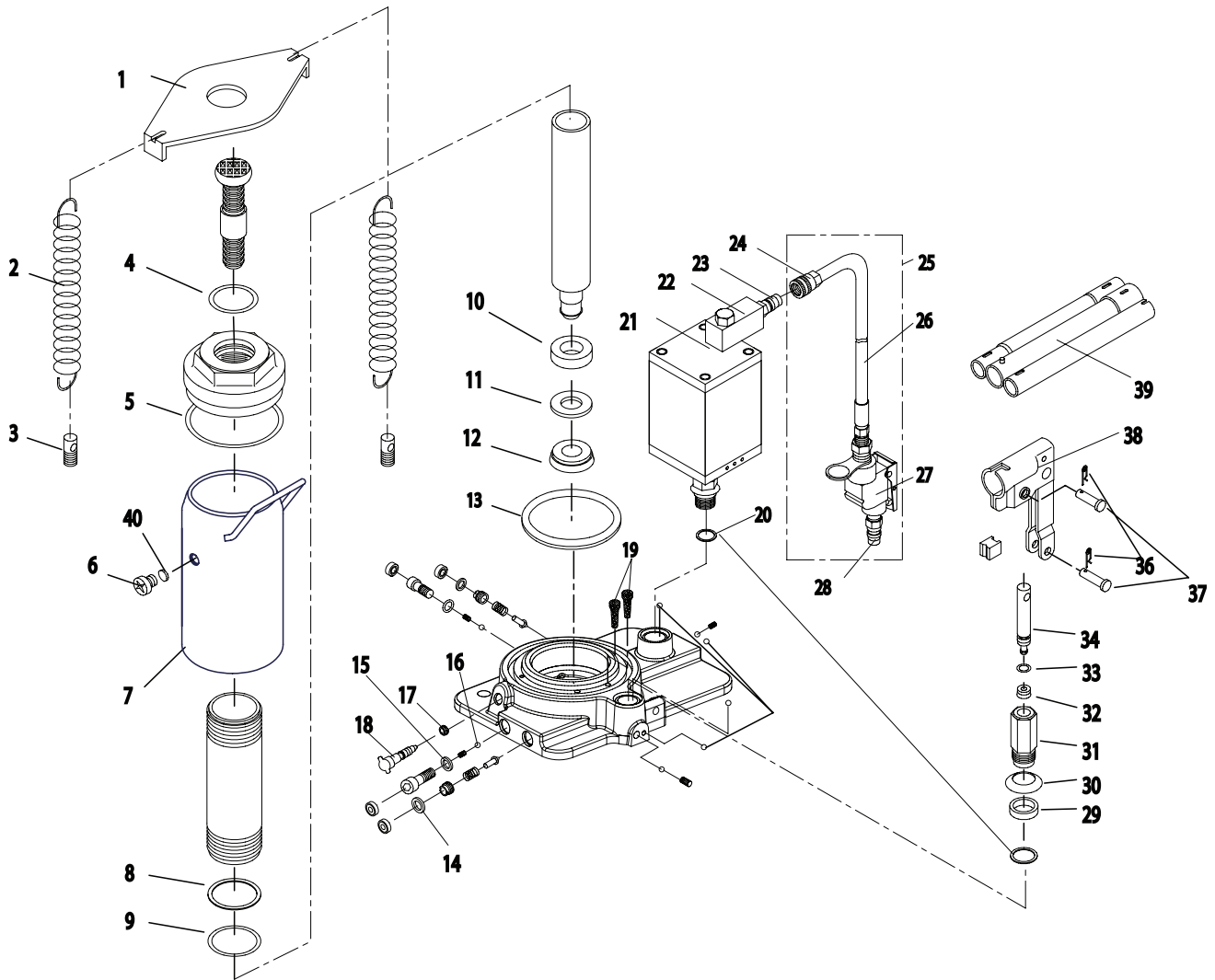


Figure 2 - Replacement Parts Illustration

Replacement Parts List for Model BH2219

Item	Part No. for BH2219	Description	Qty
1	A200-10003-000	Cover	1
2	A200-10002-000	Extension Spring	2
3	A200-10004-000	Screw	2
4	*	O-ring	1
5	*	Gasket	1
6	G62S-03301-000*	Air Vent Screw	1
7	B20A-11000-000	Reservoir Assy	1
8	*	Back-up Ring	1
9	*	O-ring	1
10	*	Ram Bearing	1
11	*	Back-up Ring	1
12	*	U-cup	1
13	*	Seal	1
14	*	O-ring	2
15	*	Special Washer	2
16	*	Steel Ball	6
17	*	Seal	1
18	BT10-24001-000	Release Valve	1
19	B120-10003-000	Filter	2
20	*	Gasket	2
21	G831-03200-000	Air Motor Assy	1
22	A240-01000-000	Air Inlet Swivel	1
23	A240-02400-000	Quick-coupler, Male	1
24	A240-02300-000	Quick-coupler, Female	1
25	A240-02000-000	Hose Assy	1
26	A240-02100-000	Hose Assy	1
27	A240-02200-000	Air Inlet Control Valve	1
28	A240-02400-000	Quick-coupler, Male	1
29	*	Packing	1
30	B020-15002-000	Washer	1
31	B080-15001-000	Pump Cylinder	1
32	*	Oil Seal Assy	1
33	*	O-ring	1
34	A120-15101-000	Pump Piston	1
35	B10N-10004-000	Rubber Pad	1
36	5405-02018-000	Snap Pin	2
37	5405-07027-000	Pin	2
38	B10N-14000-000	Handle Sleeve Assy	1
39	B10N-21000-000	Handle Assy	1
40	*	O-ring	1
*	A2006S-054	Repair Kit	

ONE YEAR LIMITED WARRANTY

For a period of one (1) year from date of purchase, **SFA Companies** will repair or replace, at its option, without charge, any of its products which fails due to a defect in material or workmanship under normal usage. This limited warranty is a consumer's exclusive remedy.

Performance of any obligation under this warranty may be obtained by returning the warranted product, freight prepaid, to **SFA Companies** Warranty Service Department, 10939 N. Pomona Ave., Kansas City, MO 64153.

Except where such limitations and exclusions are specifically prohibited by applicable law, (1) THE CONSUMER'S SOLE AND EXCLUSIVE REMEDY SHALL BE THE REPAIR OR REPLACEMENT OF DEFECTIVE PRODUCTS AS DESCRIBED ABOVE. (2) **SFA Companies** SHALL NOT BE LIABLE FOR ANY CONSEQUENTIAL OR INCIDENTAL DAMAGE OR LOSS WHATSOEVER. (3) ANY IMPLIED WARRANTIES, INCLUDING WITHOUT LIMITATION THE IMPLIED WARRANTIES OF MERCHANTABILITY AND FITNESS FOR A PARTICULAR PURPOSE, SHALL BE LIMITED TO ONE YEAR, OTHERWISE THE REPAIR, REPLACEMENT OR REFUND AS PROVIDED UNDER THIS EXPRESS LIMITED WARRANTY IS THE EXCLUSIVE REMEDY OF THE CONSUMER, AND IS PROVIDED IN LIEU OF ALL OTHER WARRANTIES, EXPRESS OR IMPLIED. (4) ANY MODIFICATION, ALTERATION, ABUSE, UNAUTHORIZED SERVICE OR ORNAMENTAL DESIGN VOIDS THIS WARRANTY AND IS NOT COVERED BY THIS WARRANTY.

Some states do not allow limitations on how long an implied warranty lasts, so the above limitation may not apply to you. Some states do not allow the exclusion or limitation of incidental or consequential damages, so the above limitation or exclusion may not apply to you. This warranty gives you specific legal rights, and you may also have other rights, which vary from state to state.



SFA Companies
10939 N. Pomona Ave. Kansas City, MO 64153
816-891-6390
sales@blackhawk-automotive.com



Crics-bouteilles hydrauliques manuels ou à air

Manuel des consignes d'utilisation et des pièces

Modèles
BH2219

Capacité
18 144 kg (20 tonnes américaines)

Brevets américains nos 5,341,723 et 5,946,912



Voici le symbole signalant un danger pour la sécurité. Il est utilisé pour vous alerter des dangers potentiels de blessures. Respectez tous les messages de sécurité qui suivent ce symbole afin d'éviter les blessures et la mort.

MISE EN GARDE



Pour éviter un écrasement et les blessures en lien avec celui-ci : Ne travaillez JAMAIS autour d'une charge, en dessous d'elle ou sur celle-ci, si elle est supportée seulement par un cric hydraulique. Utilisez TOUJOURS une paire de béquilles de cric dont la capacité nominale est adéquate.

SFA Companies
10939 N. Pomona Ave. Kansas City, MO 64153
sales@blackhawk-automotive.com

Lisez ce manuel et observez toutes les consignes de sécurité et d'utilisation avant d'utiliser ce produit.

Imprimé en Chine
BH2219-M0-012013


INFORMATIONS GÉNÉRALES ET INFORMATIONS RELATIVES À LA SÉCURITÉ

Conservez ces instructions. Pour votre sécurité, lisez, comprenez et respectez toutes les consignes fournies avec ce produit ou se trouvant sur celui-ci avant de l'utiliser. Le propriétaire, ainsi que l'utilisateur, doit comprendre le fonctionnement du produit, ses caractéristiques de fonctionnement et les consignes de sécurité associées à son utilisation avant de s'en servir. Ces personnes doivent aussi savoir que, pour utiliser ou réparer ce produit, il peut être nécessaire d'avoir des connaissances ou des habiletés spéciales. Avant que l'utilisation de ce produit ne soit autorisée, il faut lire, dans la langue maternelle de l'opérateur, les instructions et les informations relatives à la sécurité pour qu'il en prenne connaissance et discuter de celles-ci avec lui, de manière à s'assurer qu'il les comprend. S'il y a des doutes quant à la façon adéquate et sécuritaire de se servir du produit, il faut en cesser l'utilisation immédiatement.

Inspectez avant chaque utilisation. N'utilisez pas ce produit s'il est dans un état anormal, comme lorsqu'il y a des soudures fissurées, des dommages ou des pièces manquantes ou mal fixées. Tout équipement qui semble être endommagé d'une quelconque façon, est usé ou fonctionne de manière anormale ne doit plus être utilisé jusqu'à ce qu'il soit réparé. Si le produit a été soumis ou s'il y a des raisons de croire qu'il a été soumis à une charge ou à un choc anormal, cessez de l'utiliser immédiatement jusqu'à ce qu'il soit inspecté à un centre de réparation autorisé par le fabricant (communiquez avec le distributeur ou le fabricant pour avoir une liste des endroits autorisés). Il est recommandé qu'une inspection annuelle soit faite à un centre autorisé. Il est possible de se procurer d'autres étiquettes et d'autres manuels auprès du fabricant.

DESCRIPTION DU PRODUIT

Les crics-bouteilles hydrauliques pneumatiques d'Blackhawk sont conçus pour soulever une charge égale à leur capacité nominale, soit la masse d'une extrémité de véhicule. La charge doit être supportée par une paire de béquilles de cric à capacité nominale adéquate immédiatement après le levage. Assurez-vous que la source d'air peut envoyer un débit de 0,22 m³/min à une pression allant de 758 à 1 206 kPa (7,8 pi³/min pour une pression de 110 à 175 po/lb²) à chaque cric utilisé. Une pression minimale d'air de 1 034 kPa (150 po/lb²) est requise pour soulever une charge égale à la capacité nominale.

 **MISE EN GARDE :** *N'utilisez jamais un cric hydraulique comme seul dispositif de soutien. Après le levage, faites reposer immédiatement le véhicule sur des béquilles de cric à capacité nominale adéquate. Ne placez jamais une quelconque partie de votre corps sous le véhicule lorsque vous le soulevez ou l'abaissez.*

PRÉPARATION

Avant l'utilisation

1. Avant d'utiliser ce produit, lisez le manuel d'utilisation au complet et familiarisez-vous parfaitement avec le produit et ses composants, et identifiez les dangers associés à son utilisation.
2. Vérifiez que le produit et son utilisation sont compatibles. Si vous avez des doutes, appelez le soutien technique pour les produits Blackhawk au 1 816 891-6390.
3. Assemblez le levier et assurez-vous que les agrafes-ressorts sont alignées sur les fentes correspondantes.
4. Afin de vous familiariser avec le fonctionnement de base du cric, utilisez l'extrémité de la poignée de levage avec une encoche pour enclencher et tourner la soupape de surpression :
 - a. Dans le sens *horaire* jusqu'à ce que vous sentiez une forte résistance au mouvement. C'est la position « **FERMÉE** » de la soupape de surpression utilisée pour soulever le vérin à piston plongeur.
 - b. Dans le sens *antihoraire*, mais pas plus d'un tour à partir de la position fermée. C'est la position « **OUVERTE** » de la soupape de surpression utilisée pour abaisser le vérin à piston plongeur.
5. Lorsque le point d'appui est complètement abaissé et que la soupape de surpression est fermée, pesez sur le levier. Si le vérin à piston plongeur réagit immédiatement, le cric peut maintenant être utilisé. Si ce n'est pas le cas, suivez les instructions de la section **Purge de l'air emprisonné** à la page 12.
6. Versez une cuillère à thé de lubrifiant de bonne qualité pour outil à air dans l'entrée de l'alimentation d'air de la vanne de commande de levage. Branchez l'alimentation en air et ouvrez la vanne de commande de levage pendant 3 secondes pour distribuer le lubrifiant de façon uniforme.

AVIS : *Ce produit est doté du raccord populaire pour tuyau d'air 1/4 NPT. Lorsque vous installez un raccord pour tuyau d'air de votre choix, assurez-vous d'utiliser du ruban pour joints filetés ou du scellant lorsque vous faites l'entretien des branchements. Il est recommandé d'utiliser un dessiccateur d'air en ligne et un huileur d'air en ligne pour assurer un fonctionnement fiable sans problème.*

7. Vérifiez que le levier fonctionne parfaitement et que la vis de rallonge peut être vissée ou dévissée facilement avant d'utiliser le cric. Remplacez les pièces et les assemblages usés ou endommagés seulement par des pièces de rechange Blackhawk.

⚠ MISE EN GARDE

- Lisez, comprenez et respectez toutes les instructions avant d'utiliser ce produit.
- Ne dépassez pas la capacité nominale.
- Utilisez le produit seulement sur des surfaces dures et de niveau.
- Cet appareil doit seulement être utilisé à des fins de levage. Immédiatement après le levage, faites en sorte que le véhicule soit supporté par un moyen adéquat.
- Utilisez le cric seulement aux points de levage indiqués par le fabricant du véhicule.
- Ne modifiez pas ce produit.
- Utilisez seulement les accessoires et les adaptateurs fournis par le fabricant.
- Le non-respect des consignes peut entraîner des blessures ou des dommages matériels.

⚠ MISE EN GARDE



Pour éviter un écrasement et les blessures en lien avec celui-ci :

- Ne travaillez jamais autour d'une charge, en dessous d'elle ou sur celle-ci, si elle est supportée seulement par un cric hydraulique.
- Mettez des cales à l'avant et à l'arrière des pneus non soulevés.
- N'utilisez pas cet appareil pour soulever, mettre à niveau, abaisser, supporter ou déplacer une maison, une maison mobile, une caravane classique, une roulotte ou une structure d'édifice.
- Soyez vigilant et sobre lorsque vous utilisez ce produit. Ne vous en servez pas si vous avez consommé de l'alcool ou de la drogue.

SPÉCIFICATIONS

Modèles	Capacité	Dimensions de la base (L x l)	Hauteur min.	Hauteur max.
BH2219	18 144 kg (20 tonnes américaines)	22,86 x 17,15 cm (9 x 6-3/4 po)	24,44 cm (9-5/8 po)	47,94 cm (18-7/8 po)

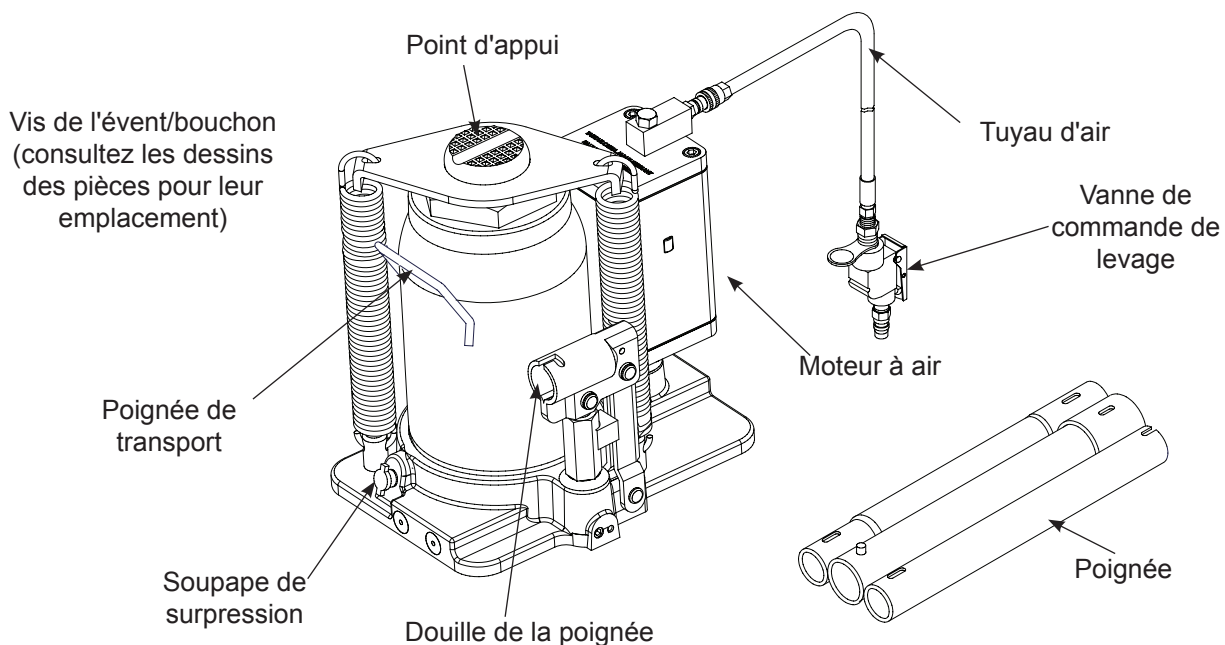


Figure 1 : Pièces des modèle BH2219

PRÉPARATION (suite)

Purge de l'air emprisonné

Lorsque la soupape de surpression est à la position OUVERTE (étape 4 b. à la page 10) et que le vérin à piston plongeur est à son niveau minimal, trouvez et enlevez la vis de l'évent ou le bouchon. Insérez le levier dans la douille de la poignée, puis abaissez et levez le levier le plus possible de six à huit fois. Cela va faciliter la libération de tout air pressurisé pouvant être emprisonné dans le réservoir. Le niveau d'huile devrait se situer à la hauteur du fond du trou de remplissage d'huile. Remettez la vis de l'évent ou le bouchon.

FONCTIONNEMENT

Soulever le vérin à piston plongeur

1. Assemblez le levier et assurez-vous que les agrafes-ressorts sont alignées sur les fentes.
2. Immobilisez le véhicule en serrant le frein de stationnement et en plaçant des cales à l'avant et à l'arrière des roues pour empêcher les mouvements non désirés.
3. Fermez la soupape de surpression en tournant la poignée dans le sens horaire jusqu'à ce que vous sentiez une bonne résistance.

AVIS : *Utilisez toujours le levier fourni. Celui-ci permet d'enclencher la soupape de surpression et fait fonctionner la douille de la poignée de manière sécuritaire. Si le levier est usé, fonctionne de manière anormale ou si la soupape ne s'enclenche pas, cessez d'utiliser le cric jusqu'à ce vous ayez un levier de remplacement du fabricant.*

4. Vérifiez le point de levage et centrez le point d'appui du cric sous celui-ci.

⚠ MISE EN GARDE : *N'attachez et ne fixez jamais la vanne de commande et ne faites jamais rien pour qu'elle soit contrôlée d'une autre façon que par la main de l'opérateur. N'essayez pas d'utiliser la pompe sous pression et manuellement de façon simultanée.*

5. Ouvrez la vanne de commande de levage ou insérez le levier dans la douille de la poignée et abaissez et levez le levier pour que le point d'appui entre en contact avec le point de levage. Pour soulever le véhicule, continuez à abaisser et à lever le levier jusqu'à ce que la charge atteigne la hauteur désirée.
6. Faites reposer immédiatement la charge sur des béquilles de cric à capacité nominale adéquate.

AVIS : *N'utilisez pas de rallonge avec le tuyau d'air ou le levier.*

Abaisser

⚠ MISE EN GARDE : *Avant d'abaisser la charge, assurez-vous qu'il n'y a aucun outil ni aucune personne en dessous de celle-ci. Ouvrez la soupape de surpression lentement. Plus le levier est tourné dans le sens antihoraire, plus la charge descend rapidement. Gardez le contrôle de la charge en tout temps.*

1. Levez suffisamment la charge pour qu'elle ne soit plus en contact avec les béquilles de cric, puis enlevez ces dernières.
2. Tournez lentement le levier dans le sens antihoraire, mais ne faites pas plus d'un demi-tour. *Si la charge ne descend pas :*
 - a. Utilisez un autre cric pour soulever le véhicule suffisamment pour remettre les béquilles de cric.
 - b. Enlevez le cric défectueux et ensuite les béquilles de cric.
 - c. Abaissez la charge avec le cric qui fonctionne.
3. Après avoir retiré le cric, abaissez le vérin à piston plongeur et la douille de la poignée pour réduire l'exposition à la rouille et aux contaminants.

ENTRETIEN

AVIS : *Utilisez de l'huile pour cric hydraulique de première qualité. Évitez de mélanger différents types de liquides et N'UTILISEZ JAMAIS de liquide pour frein, d'huile de turbine, de liquide de transmission, d'huile moteur ou de glycérine. L'utilisation d'un liquide inapproprié peut entraîner une défaillance prématurée du cric et causer une chute potentielle soudaine et immédiate de charge.*

Ajouter de l'huile

1. Lorsque le vérin à piston plongeur est à son niveau minimal et que le piston du levier est enfoncé au maximum, mettez le cric debout et à niveau. Enlevez la vis de l'évent ou le bouchon.
2. Mettez de l'huile jusqu'à ce que son niveau soit juste en dessous du rebord de la vis de l'évent ou du trou de remplissage d'huile. Remettez la vis de l'évent ou le bouchon.

Changer l'huile

Afin d'obtenir une performance et une durée de vie optimales, remplacez complètement l'huile au moins une fois par année.

1. Lorsque le vérin à piston plongeur est à son niveau minimal et que le piston du levier est enfoncé au maximum, enlevez la vis de l'évent ou le bouchon de remplissage d'huile.
2. Posez le cric sur le côté et purgez le liquide en l'envoyant dans un contenant adéquat.

AVIS : *Jetez l'huile hydraulique en respectant la réglementation environnementale locale.*

3. Mettez de l'huile jusqu'à ce que son niveau soit juste en dessous du rebord de la vis de l'évent ou du trou de remplissage d'huile. Remettez la vis de l'évent ou le bouchon.

Lubrification

1. Une lubrification périodique des points de pivotement, des axes et des charnières faite avec de l'huile légère aide à prévenir la rouille et à assurer que les assemblages du levier bougent librement.
2. L'intérieur d'un cric pneumatique utilisé quotidiennement devrait être lubrifié avant chaque utilisation. Utilisez un lubrifiant de première qualité pour outil à air. S'il n'y a pas d'huileur d'air en ligne, versez une cuillerée à thé d'huile pour outil à air dans l'entrée d'air de la vanne de commande de levage. Faites simplement fonctionner le cric à l'air comprimé afin de complètement distribuer l'huile.

Nettoyage

Inspectez périodiquement le piston du levier et le vérin à piston plongeur pour voir s'il y a de la rouille ou de la corrosion. Nettoyez selon les besoins et essuyez avec un linge huileux.

AVIS : *N'utilisez pas de papier sablé ni de matériau abrasif sur le piston du levier et le vérin à piston plongeur.*

Stockage

Lorsque le cric n'est pas utilisé, rangez-le, le piston du levier et le vérin à piston plongeur devant être à leur niveau minimal et l'alimentation en air débranchée.

DÉPANNAGE

Problème	Causes possibles	Mesure corrective
Cric ne soulevant pas la charge	<ul style="list-style-type: none">• Soupape de surpression qui n'est pas bien fermée• Surcharge• Pression d'air incorrecte	<ul style="list-style-type: none">• Assurez-vous que la soupape est bien fermée• Remédiez au problème de surcharge.• Assurez-vous que la pression d'air est adéquate
Cric soulevant la charge, mais qui ne maintient pas la pression	<ul style="list-style-type: none">• Soupape de surpression qui n'est pas bien fermée• Défaillance du vérin hydraulique	<ul style="list-style-type: none">• Assurez-vous que la soupape est bien fermée• Communiquez avec le soutien technique Service
Cric ne descendant pas après avoir enlevé la charge	<ul style="list-style-type: none">• Trop de liquide hydraulique dans le réservoir	<ul style="list-style-type: none">• Assurez-vous que la charge est enlevée, puis purgez le liquide hydraulique pour qu'il soit au bon niveau.
Performance de levage médiocre	<ul style="list-style-type: none">• Niveau de liquide bas• Air emprisonné dans le système	<ul style="list-style-type: none">• Assurez-vous que le niveau de liquide est adéquat.• Avec le vérin complètement rétracté, retirez le bouchon ou la vis de remplissage d'huile pour vider l'excès d'air sous pression. Remettez le bouchon ou la vis.
Système de levage ne s'élevant pas au maximum	<ul style="list-style-type: none">• Niveau de liquide bas	<ul style="list-style-type: none">• Assurez-vous que le niveau de liquide est adéquat.

PIÈCES DE RECHANGE

Ce ne sont pas toutes les pièces du cric qui peuvent être remplacées, mais elles sont illustrées pour montrer leur emplacement ainsi que leur position pour l'assemblage. Lorsque vous commandez des pièces, fournissez le numéro du modèle, le numéro de série et la description de la pièce. Pour connaître les prix actuels, appelez-nous ou écrivez-nous : SFA Companies Inc., 10939 N. Pomona Ave., Kansas City, MO 64153, É.-U., téléphone : 1 888 322-6419, télécopieur : 1 816 891-6599, courriel : sales@blackhawk-automotive.com.

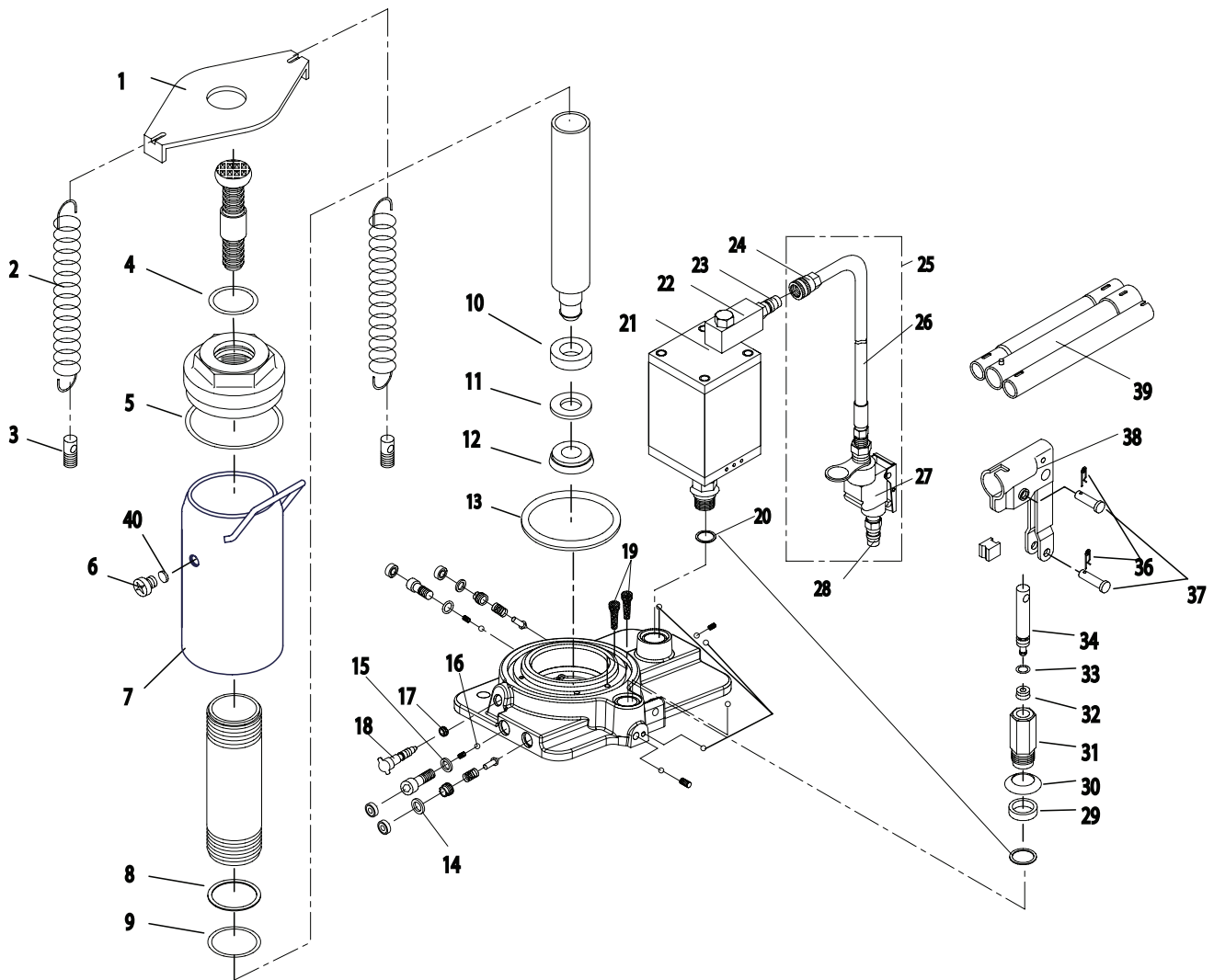


Figure 2 - Illustration des pièces de rechange

Liste de pièces de rechange pour les modèle BH2219

Pièce	N° de pièce pour modèle BH2219	Description	Qté
1	A200-10003-000	Pièce supérieure du vérin	1
2	A200-10002-000	Ressort de traction	2
3	A200-10004-000	Vis	2
4	*	Joint torique	1
5	*	Ensemble de	1
6	G62S-03301-000*	Vis de l'évent/bouchon	1
7	B20A-11000-000	Assemblage du réservoir	1
8	*	Anneau de rechange	1
9	*	Joint torique	1
10	*	Palier de vérin à piston plongeur	1
11	*	Anneau de rechange	1
12	*	Joint en coupelle	1
13	*	Joint	1
14	*	Joint torique	2
15	*	Rondelle spéciale	2
16	*	Bille en acier	6
17	*	Joint	1
18	BT10-24001-000	Soupape de surpression	1
19	B120-10003-000	Filtre	2
20	*	Ensemble de	2
21	G831-03200-000	Assemblage de moteur à air	1
22	A240-01000-000	Entrée d'air pivotante	1
23	A240-02400-000	Raccord rapide mâle	1
24	A240-02300-000	Raccord rapide femelle	1
25	A240-02000-000	Assemblage de tuyau	1
26	A240-02100-000	Assemblage de tuyau	1
27	A240-02200-000	Vanne de commande de levage à entrée d'air	1
28	A240-02400-000	Raccord rapide mâle	1
29	*	Garniture	1
30	B020-15002-000	Rondelle	1
31	B080-15001-000	Vérin du levier	1
32	*	Assemblage du joint pour huile	1
33	*	Joint torique	1
34	A120-15101-000	Piston du levier	1
35	B10N-10004-000	Plateau porte-disque en caoutchouc	1
36	5405-02018-000	Goupille fendue	2
37	5405-07027-000	Goupille	2
38	B10N-14000-000	Assemblage de la douille de la poignée	1
39	B10N-21000-000	Assemblage de la poignée	1
40	*	Joint torique	1
*	A2006S-054	Trousse de réparation	

GARANTIE LIMITÉE DE 1 AN

Pendant une période d'un (1) an, à partir de la date d'achat, **SFA Companies** réparera ou remplacera, à sa discrétion, sans frais, tous ses produits qui, utilisés dans des conditions normales, sont défectueux à cause d'un défaut de matériel ou de fabrication. Cette garantie limitée est le seul recours du consommateur.

Pour bénéficier du service offert par la garantie, il faut retourner le produit couvert par celle-ci, port payé, à **SFA Companies** Warranty Service Department, 10939 N. Pomona Ave., Kansas City, MO 64153, États-Unis.

Sauf dans les cas où les limitations et les exclusions décrites dans ce paragraphe sont spécifiquement interdites par la loi : (1) LE SEUL RECOURS DU CONSOMMATEUR EST DE FAIRE RÉPARER OU REMPLACER LES PRODUITS DÉFECTUEUX COMME DÉCRIT CI-DESSUS; (2) **SFA Companies** NE SERA PAS TENUE RESPONSABLE DES DOMMAGES CONSÉCUTIFS OU INDIRECTS OU DE PERTES QUELCONQUES; (3) TOUTE GARANTIE IMPLICITE, CE QUI INCLUT SANS LIMITATION LES GARANTIES IMPLICITES DE COMMERCIALITÉ ET D'ADAPTATION À UN USAGE PARTICULIER, SERA LIMITÉE À UN AN, À DÉFAUT DE QUOI LA RÉPARATION, LE REMPLACEMENT OU LE REMBOURSEMENT, SELON CETTE GARANTIE EXPRESSE LIMITÉE, CONSTITUE LE SEUL RECOURS DU CLIENT, ET REMPLACE TOUTE AUTRE GARANTIE, IMPLICITE OU EXPRESSE; (4) TOUTE MODIFICATION, ALTÉRATION, UTILISATION ABUSIVE OU NON AUTORISÉE OU DÉCORATION ORNEMENTALE ANNULE CETTE GARANTIE ET N'EST PAS COUVERTE PAR CELLE-CI.

Certaines provinces et certains États ne permettent pas de limiter la durée d'une garantie implicite et il est donc possible que la limitation décrite ci-dessus ne s'applique pas. Certaines provinces et certains États ne permettent pas d'exclure ou de limiter les dommages consécutifs ou indirects et il est donc possible que la limitation ou l'exclusion mentionnée ci-dessus ne s'applique pas. Cette garantie vous confère des droits particuliers et il est aussi possible que vous puissiez jouir d'autres droits qui varient d'une province à l'autre et d'un État à l'autre.



SFA Companies
10939 N. Pomona Ave. Kansas City, MO 64153
816-891-6390
sales@blackhawk-automotive.com



Gatos hidráulicos de botella neumáticos/manuales

Manual de piezas e instrucciones de funcionamiento


Modelo
BH2219

Capacidad
20 toneladas (18144 kg)

Patente de EE. UU. N.º 5,341,723 - 5,946,912



Este es el símbolo de alerta de seguridad. Se usa para alertar sobre peligros potenciales de lesiones personales. Obedezca todos los mensajes de seguridad que tengan este símbolo, para evitar posibles lesiones personales o la muerte.

⚠ ADVERTENCIA	
	<i>Para evitar lesiones por opresión y otras lesiones: NUNCA trabaje sobre, debajo o alrededor de una carga que solamente esté apoyada en un gato hidráulico. SIEMPRE use un par de soportes para gato de capacidad nominal adecuada.</i>

SFA Companies
10939 N. Pomona Ave. Kansas City, MO 64153
sales@blackhawk-automotive.com

Lea este manual y respete todas las reglas de seguridad y las instrucciones de funcionamiento antes de usar este producto.

Impreso en China
BH2219-M0-012013

INFORMACIÓN GENERAL Y DE SEGURIDAD

Conserve estas instrucciones. Para su seguridad, lea, comprenda y siga la información que viene con este dispositivo antes de su uso. El propietario u operador debe tener conocimientos sobre el dispositivo, sus características operativas y las instrucciones para un funcionamiento seguro antes de utilizar el equipo. El propietario u operador debe tener presente que el uso y la reparación de este producto podrían requerir habilidades y conocimientos especiales. Es preciso leer y analizar las instrucciones y la información de seguridad con el operador, en su lengua materna, a fin de asegurarse de que el operador comprenda su contenido antes de recibir autorización para el uso de este equipo. Si tiene dudas sobre el uso seguro y adecuado de este dispositivo, proceda a sacarlo de servicio de inmediato.

Inspeccione el dispositivo antes de cada uso. No use el dispositivo si presenta anomalías, como grietas en la soldadura, o piezas dañadas, flojas o faltantes. Debe sacar de servicio todo equipo que presente daños, de la naturaleza que fueren, esté gastado o funcione mal hasta su reparación. Si tiene la sospecha o la certeza de que el equipo fue sometido a una carga o sufrió un impacto anormal, interrumpa el uso de inmediato hasta que sea controlado por un centro de reparación autorizado por la fábrica (comuníquese con el distribuidor o fabricante para obtener una lista de los centros de reparación autorizados). Se recomienda realizar una inspección anual a cargo de un centro de reparaciones autorizado. Las etiquetas y los manuales del operador están disponibles por parte del fabricante.

DESCRIPCIÓN DEL PRODUCTO

Los gatos hidráulicos de botella Blackhawk accionados por aire están diseñados para levantar, cargas de capacidad nominal que consisten en un extremo del vehículo. Inmediatamente después del levantamiento, la carga debe apoyarse en un par de soportes para gato de capacidad nominal adecuada. Asegúrese de que la fuente de aire pueda dedicar 7,8 CFM a 110-175 psi (7,5 a 12 bar) a cada gato en funcionamiento. Se requiere una presión de aire mínima de 150 psi (10,3 bar) para aumentar la carga de capacidad nominal.

⚠ ADVERTENCIA: *Nunca use un gato hidráulico como dispositivo de apoyo independiente. Luego de levantar el vehículo, utilice los soportes para gato adecuados de inmediato. En ningún caso coloque ninguna parte del cuerpo debajo del vehículo durante su ascenso o descenso.*

PREPARACIÓN

Antes del uso

1. Antes de usar este producto, lea todo el manual del operador; procure familiarizarse en forma completa con el producto y sus componentes, y reconocer los peligros asociados a su uso.
2. Verifique que el producto y la aplicación sean compatibles; si tiene dudas, llame al Servicio técnico de Blackhawk al (816) 891-6390.
3. Instale la manija; asegúrese de que los sujetadores de resorte se alineen con las ranuras.
4. Para familiarizarse con el funcionamiento básico, use el extremo muescado de la manija provista para accionar y girar la válvula de liberación:
 - a. A la *derecha* hasta que sienta una resistencia firme para continuar girando. Esta es la posición '**CERRADO**' de la válvula de liberación que se usa para elevar el pistón del ariete.
 - b. A la *izquierda*, pero no más de 1 giro con respecto a la posición de cerrado. Esta es la posición '**ABIERTO**' de la válvula de liberación que se usa para bajar el pistón del ariete.
5. Una vez que el asiento haya descendido por completo y la válvula de liberación esté cerrada, bombee la manija de funcionamiento. Si el ariete responde de inmediato, el gato está listo para ser usado. Si el gato no responde, siga el procedimiento de la sección **Purgado/descarga del aire atrapado** en la página 20.
6. Vierta una cucharadita de lubricante para herramientas de aire de buena calidad en la entrada del suministro de aire de la válvula de control de elevación. Conecte al suministro de aire y oprima la válvula de control de elevación durante 3 segundos para distribuir el lubricante de manera uniforme.

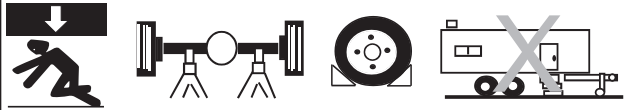
AVISO: *Este producto está equipado con el acoplador de aire común de 1/4" (0,6 cm) NPT. Cuando instale un acoplador de aire que no sea el de su elección, asegúrese de usar cinta o compuesto aislante para la reparación de las conexiones. Se recomienda el uso de un secador de aire y engrasador en línea para asegurar el funcionamiento fiable y libre de problemas.*

7. Compruebe que la bomba funcione sin dificultades y que el tornillo de extensión se ajuste fácilmente hacia arriba y hacia abajo antes de ponerlo en servicio. Reemplace las piezas y los conjuntos desgastados o dañados solo con piezas de repuesto genuinas de Blackhawk.

⚠️ ADVERTENCIA

- Estudie, comprenda y siga todas las instrucciones antes de poner en funcionamiento este dispositivo.
- No exceda la capacidad nominal.
- Utilícelo únicamente sobre superficies duras y uniformes.
- Es solo un dispositivo para levantar cargas. Inmediatamente después de levantar la carga, utilice los soportes adecuados.
- Use solamente las áreas del vehículo especificadas por el fabricante del vehículo.
- No deben hacerse modificaciones a este producto.
- Solo deben utilizarse accesorios y/o adaptadores suministrados por el fabricante.
- Si no se respetan estas indicaciones, podrían producirse lesiones personales o daños a la propiedad.

⚠️ ADVERTENCIA



Para evitar lesiones por opresión y otras lesiones:

- Nunca trabaje sobre, debajo o alrededor de una carga que solamente esté apoyada en un gato hidráulico.
- Bloquee las ruedas sin elevar en ambas direcciones.
- No utilice este dispositivo para levantar, nivelar, bajar, apoyar ni mover una casa, casa rodante, remolque de viaje, camioneta "camper" u otra estructura de construcción.
- Cuando utilice este equipo, procure estar atento y sobrio. No use el equipo si está bajo los efectos de drogas o bebidas alcohólicas.

ESPECIFICACIONES

Modelo	Capacidad	Tamaño de la base (L x P)	Altura mín.	Altura máx.
BH2219	20 toneladas (18144 kg)	9" x 6-3/4" (22,86 x 17,15 cm)	9-5/8" (24,44 cm)	18-7/8" (47,94 cm)

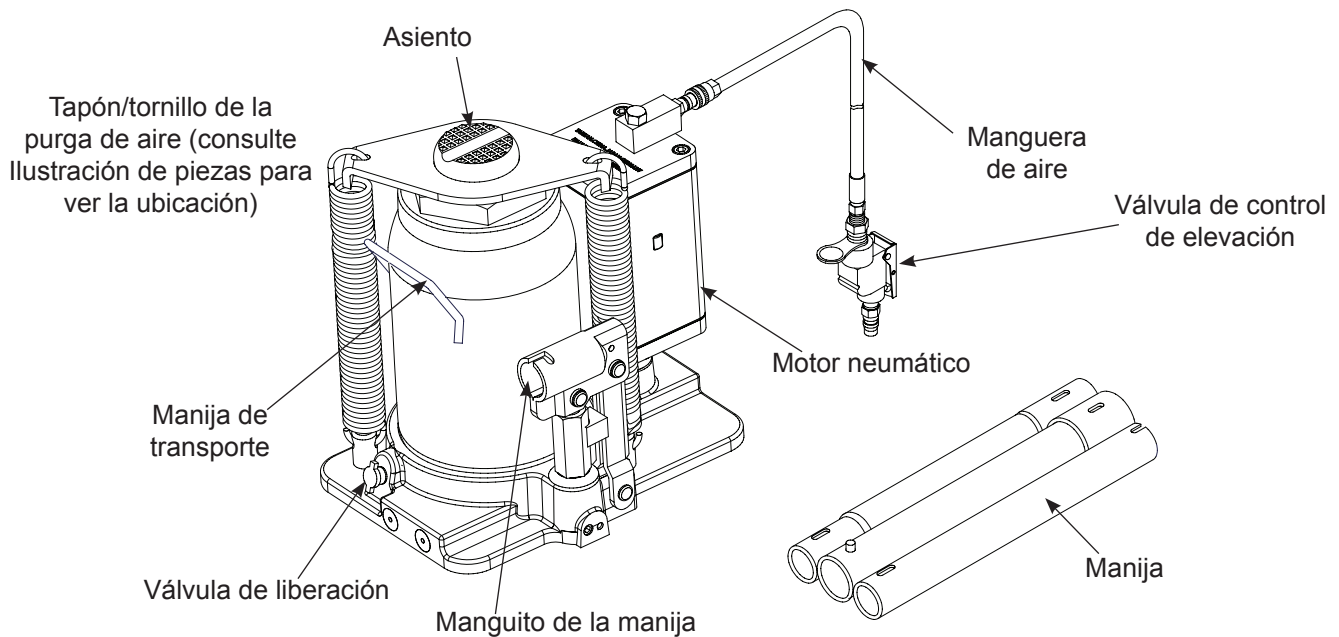


Figura 1: Nomenclatura de BH2219

PREPARACIÓN (cont.)

Purgado/descarga del aire atrapado

Coloque la válvula de liberación en la posición ABIERTO (4b en la página 18) y baje el pistón del ariete en forma completa; luego, ubique y retire el tapón/tornillo de la purga de aire. Coloque la manija en el manguito de la manija; luego bombee de 6 a 8 recorridos completos. Esto ayudará a liberar el aire presurizado que pudiera estar atrapado dentro del depósito. El aceite debe estar a nivel con la parte inferior del orificio de llenado de aceite. Vuelva a colocar el tapón/tornillo de la purga de aire.

FUNCIONAMIENTO

Elevación del pistón del ariete

1. Instale la manija; asegúrese de que los sujetadores de resorte se alineen con las ranuras.
2. Estacione el vehículo, con el freno de emergencia accionado y las ruedas firmemente bloqueadas para evitar el movimiento accidental del vehículo.
3. Cierre la válvula de liberación; para hacerlo, gire la manija a la derecha hasta que sienta una resistencia firme.

AVISO: Use la manija de la bomba provista. La manija proporcionada con este gato se enganchará de manera segura en la válvula de liberación y operará el manguito de la manija. Si la manija está desgastada, funciona de manera anormal o no se engancha de manera positiva en la válvula de liberación, **DETÉNGASE e interrumpa el uso del gato hasta que pueda adquirirse una manija de reemplazo de la fábrica.**

4. Verifique el punto de elevación; centre el asiento del gato debajo del punto de elevación.

⚠ ADVERTENCIA: Nunca use cables ni abrazaderas ni active de otro modo la válvula de control de elevación para que funcione de otra manera que no sea con la mano del operador. No intente hacer funcionar la bomba por aire y con la manija al mismo tiempo.

5. Oprima la válvula de control de elevación o inserte la manija en el manguito de la manija y la bomba hasta que toque el punto de elevación. Para la elevación, siga bombeando hasta que la carga alcance la altura deseada.
6. Transfiera inmediatamente la carga a un par de soportes para gato con la carga nominal adecuada.

AVISO: No utilice extensiones en la manguera de aire o la manija de funcionamiento.

Descenso

⚠ ADVERTENCIA: Despeje el área de herramientas y operarios antes de bajar la carga. Abra lentamente la válvula de liberación. Cuanto más gire la manija a la izquierda, más rápido descenderá la carga. Mantenga el control de la carga en todo momento.

1. Eleve la carga a una altura que permita despejar los soportes para gato, luego retire con cuidado dichos soportes.
2. Gire lentamente la manija a la izquierda, pero no más de 1/2 giro. Si la carga no desciende:
 - a. Use otro gato para elevar el vehículo a una altura que permita volver a instalar los soportes para gato.
 - b. Retire el gato afectado y, a continuación, los soportes.
 - c. Baje la carga utilizando el gato que funciona.
3. Luego de retirar el gato de la parte de abajo de la carga, baje el ariete y el manguito de la manija para reducir la exposición al óxido y la contaminación.

MANTENIMIENTO

AVISO: Use aceite para gatos hidráulicos de alta calidad. Evite mezclar diferentes tipos de líquidos y **NUNCA** use líquido de frenos, aceite de turbinas, líquido de transmisión, aceite de motor ni glicerina. El uso de un líquido inadecuado puede provocar fallas prematuras en el gato y posibles pérdidas de carga repentinas e inmediatas.

Agregado de aceite

1. Una vez que el pistón del ariete haya descendido por completo y el pistón de la bomba se haya oprimido por completo, coloque el gato en posición vertical y a nivel. Retire el tapón/tornillo de la purga de aire.
2. Llene con aceite hasta justo por debajo del borde del orificio del tapón/tornillo de la purga de aire. Vuelva a colocar el tapón/tornillo de la purga de aire.

Cambio de aceite

Para lograr el mejor rendimiento y una vida útil más prolongada, cambie por completo el suministro de líquido por lo menos una vez al año.

1. Una vez que el pistón del ariete haya descendido por completo y el pistón de la bomba se haya oprimido por completo, quite el tapón/tornillo de la purga de aire.
2. Coloque al gato de lado y descargue el líquido en un recipiente adecuado.

AVISO: *Deseche el aceite hidráulico conforme a las reglamentaciones ambientales locales.*

3. Llene con aceite hasta justo por debajo del borde del orificio del tapón/tornillo de la purga de aire. Vuelva a colocar el tapón/tornillo de la purga de aire.

Lubricación

1. La lubricación periódica con un aceite liviano en los puntos de giro, los ejes y las bisagras ayudará a evitar la corrosión y garantizará que los conjuntos de la bomba se muevan libremente.
2. Cuando se usa a diario, la bomba de aire debe lubricarse por dentro antes de cada uso. Use lubricante para herramientas de aire de primera calidad. Si no se usa un engrasador en línea, vierta una cucharadita de aceite para herramientas de aire en la entrada de la válvula de control de aire. Simplemente haga funcionar el gato usando la función de aire para poder distribuir el aceite en forma completa.

Limpieza

Verifique periódicamente el pistón de la bomba y el pistón del ariete en busca de signos de oxidación o corrosión. Límpielos con un paño con aceite, según sea necesario.

AVISO: *No use papel de lija ni materiales abrasivos en las superficies del ariete y el pistón de la bomba.*

Almacenamiento

Cuando no lo utilice, guarde el gato con el pistón de la bomba y el pistón del ariete totalmente contraídos y el suministro de aire desconectado.

LOCALIZACIÓN Y SOLUCIÓN DE PROBLEMAS

Síntoma	Causas posibles	Medidas correctivas
El gato no levanta la carga.	<ul style="list-style-type: none">• La válvula de liberación no está herméticamente cerrada.• Hay un estado de sobrecarga.• Presión de aire inadecuada	<ul style="list-style-type: none">• Asegúrese de que la válvula de liberación esté herméticamente cerrada.• Solucione el estado de sobrecarga.• Asegúrese de que la presión de aire sea adecuada.
El gato se eleva, pero no mantiene la presión.	<ul style="list-style-type: none">• La válvula de liberación no está herméticamente cerrada.• La unidad hidráulica no funciona correctamente.	<ul style="list-style-type: none">• Asegúrese de que la válvula de liberación esté herméticamente cerrada.• Póngase en contacto con un técnico de servicio. servicio técnico
El gato no baja después de su descarga.	<ul style="list-style-type: none">• El depósito está lleno en exceso.	<ul style="list-style-type: none">• Asegúrese de retirar la carga y descargue el líquido hasta el nivel adecuado.
La capacidad de elevación es deficiente.	<ul style="list-style-type: none">• El nivel de líquido está bajo.• Hay aire atrapado en el sistema.	<ul style="list-style-type: none">• Asegúrese de que el nivel de líquido sea el adecuado.• Una vez que el ariete esté completamente contraído, quite el tapón/tornillo del llenado de aceite para permitir la salida del aire presurizado; luego, vuelva a instalar el tapón/tornillo de llenado de aceite.
La elevadora no se eleva al máximo de su capacidad.	<ul style="list-style-type: none">• El nivel de líquido está bajo.	<ul style="list-style-type: none">• Asegúrese de que el nivel de líquido sea el adecuado.

PIEZAS DE REPUESTO

No todos los componentes del gato tienen reemplazo, pero se ilustran a modo de referencia práctica de la ubicación y la posición que ocupan en la secuencia del conjunto. Cuando realice el pedido de piezas, indique el número de modelo, el número de serie y la descripción de la pieza. Para obtener el precio vigente, comuníquese a: SFA Companies Inc. 10939 N. Pomona Ave. Kansas City, MO 64153, U.S.A. Tel.: (888) 332-6419 Fax: (816) 891-6599 Correo electrónico: sales@blackhawk-automotive.com.

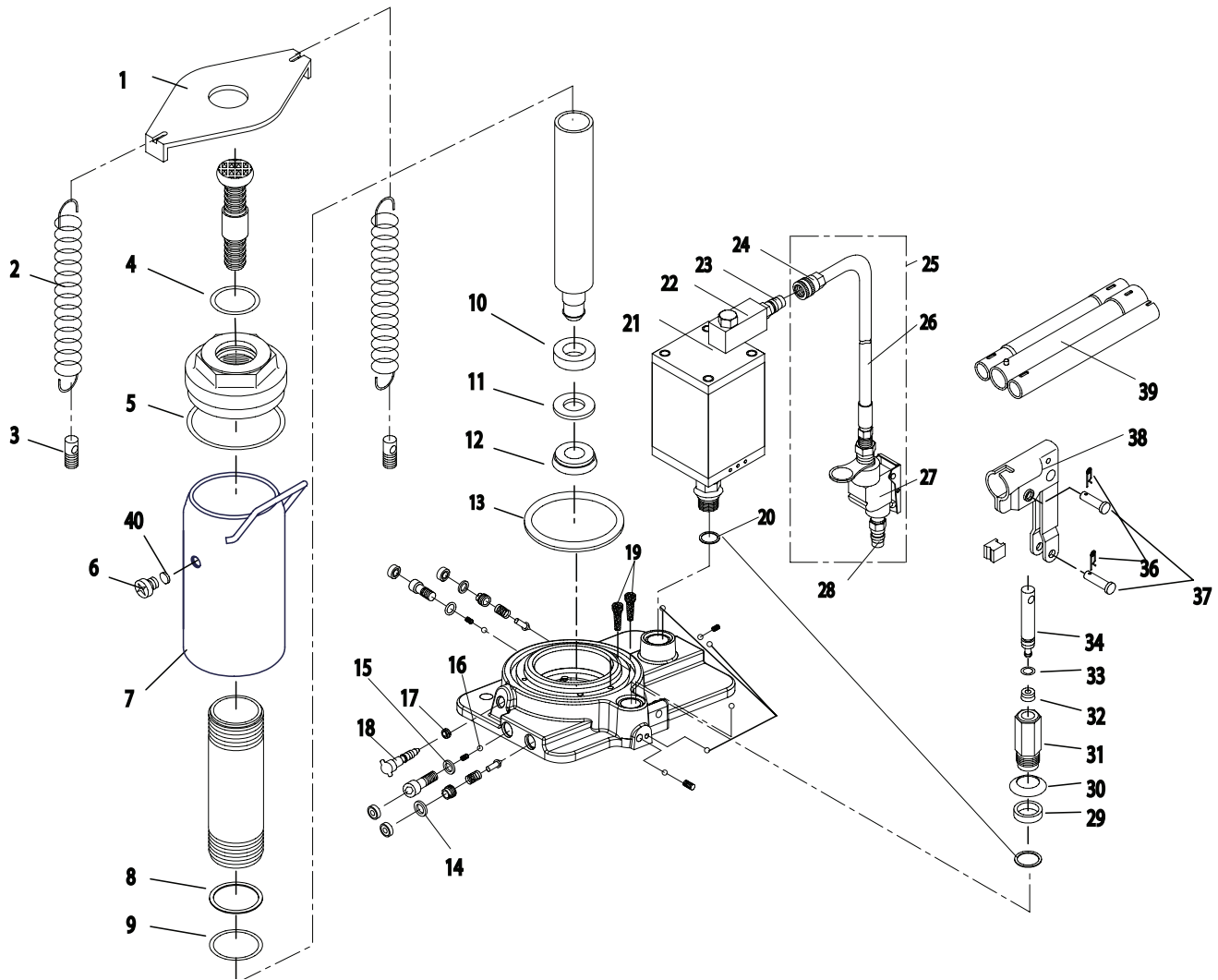


Figura 2: Ilustración de piezas de repuesto

Lista de piezas de repuesto para el modelo BH2219

Elemento	N.º de pieza para el modelo BH2219	Descripción	Cant.
1	A200-10003-000	Cubierta	1
2	A200-10002-000	Resorte de extensión	2
3	A200-10004-000	Tornillo	2
4	*	Junta tórica	1
5	*	Junta	1
6	G62S-03301-000*	Tapón/tornillo de la purga de aire.	1
7	B20A-11000-000	Conjunto del depósito	1
8	*	Anillo de respaldo	1
9	*	Junta tórica	1
10	*	Rodamiento del ariete	1
11	*	Anillo de respaldo	1
12	*	Copa en U	1
13	*	Sello	1
14	*	Junta tórica	2
15	*	Arandela especial	2
16	*	Bola de acero	6
17	*	Sello	1
18	BT10-24001-000	Válvula de liberación	1
19	B120-10003-000	Filtro	2
20	*	Junta	2
21	G831-03200-000	Conjunto de motor neumático	1
22	A240-01000-000	Admisión de aire giratoria	1
23	A240-02400-000	Acoplador rápido, macho	1
24	A240-02300-000	Acoplador rápido, hembra	1
25	A240-02000-000	Conjunto de la manguera	1
26	A240-02100-000	Conjunto de la manguera	1
27	A240-02200-000	Válvula de control de admisión de aire	1
28	A240-02400-000	Acoplador rápido, macho	1
29	*	Empaque	1
30	B020-15002-000	Arandela	1
31	B080-15001-000	Cilindro de la bomba	1
32	*	Conjunto del sello de aceite	1
33	*	Junta tórica	1
34	A120-15101-000	Pistón de la bomba	1
35	B10N-10004-000	Almohadilla de goma	1
36	5405-02018-000	Pasador de gancho	2
37	5405-07027-000	Pasador	2
38	B10N-14000-000	Conjunto del manguito de la manija	1
39	B10N-21000-000	Conjunto de manija	1
40	*	Junta tórica	1
*	A2006S-054	Kit de reparación	

GARANTÍA LIMITADA DE UN AÑO

Por el período de un (1) año desde la fecha de compra, **SFA Companies** reparará o reemplazará, a su discreción, sin costo alguno, cualquier producto que presente fallas debido a defectos de materiales o mano de obra bajo condiciones normales de uso. Esta garantía limitada es un recurso exclusivo del consumidor.

El cumplimiento de toda obligación en virtud de esta garantía puede obtenerse con el envío del producto en garantía, con flete abonado en origen, a **SFA Companies** Warranty Service Department, 10939 N. Pomona Ave., Kansas City, MO 64153.

Salvo que tales limitaciones y exclusiones estén específicamente prohibidas por las leyes vigentes, (1) EL ÚNICO Y EXCLUSIVO RECURSO DEL CONSUMIDOR SERÁ LA REPARACIÓN O EL REEMPLAZO DE LOS PRODUCTOS DEFECTUOSOS, COMO SE DETALLA ARRIBA. (2) **SFA Companies** NO SERÁ RESPONSABLE, EN NINGÚN CASO, POR DAÑOS O PÉRDIDAS EMERGENTES O INCIDENTALES. (3) TODA GARANTÍA IMPLÍCITA, LO QUE INCLUYE, ENTRE OTRAS, LAS GARANTÍAS IMPLÍCITAS DE COMERCIALIZACIÓN Y APTITUD PARA FINES ESPECÍFICOS, ESTARÁ LIMITADA A UN AÑO; DE OTRO MODO, LA REPARACIÓN, EL REEMPLAZO O LA DEVOLUCIÓN DE DINERO CONFORME A ESTA GARANTÍA LIMITADA EXPRESA SERÁ EL EXCLUSIVO RECURSO DEL CONSUMIDOR, Y SE OFRECE EN LUGAR DE CUALQUIER OTRA GARANTÍA, EXPRESA O IMPLÍCITA. (4) CUALQUIER MODIFICACIÓN, ALTERACIÓN, USO INDEBIDO, SERVICIO NO AUTORIZADO O DISEÑO ORNAMENTAL ANULARÁ ESTA GARANTÍA Y NO ESTARÁ CUBIERTO POR ESTA GARANTÍA.

Algunos estados no permiten la limitación de la duración de las garantías implícitas, por lo que las limitaciones anteriores pueden no aplicarse en su caso. Algunos estados no permiten excluir o limitar los daños emergentes o incidentales, por lo tanto esta limitación o exclusión puede no ser aplicable en su caso. Esta garantía le otorga derechos legales específicos. Usted puede tener además otros derechos que varían de un estado a otro.



SFA Companies
10939 N. Pomona Ave. Kansas City, MO 64153
816-891-6390
sales@blackhawk-automotive.com