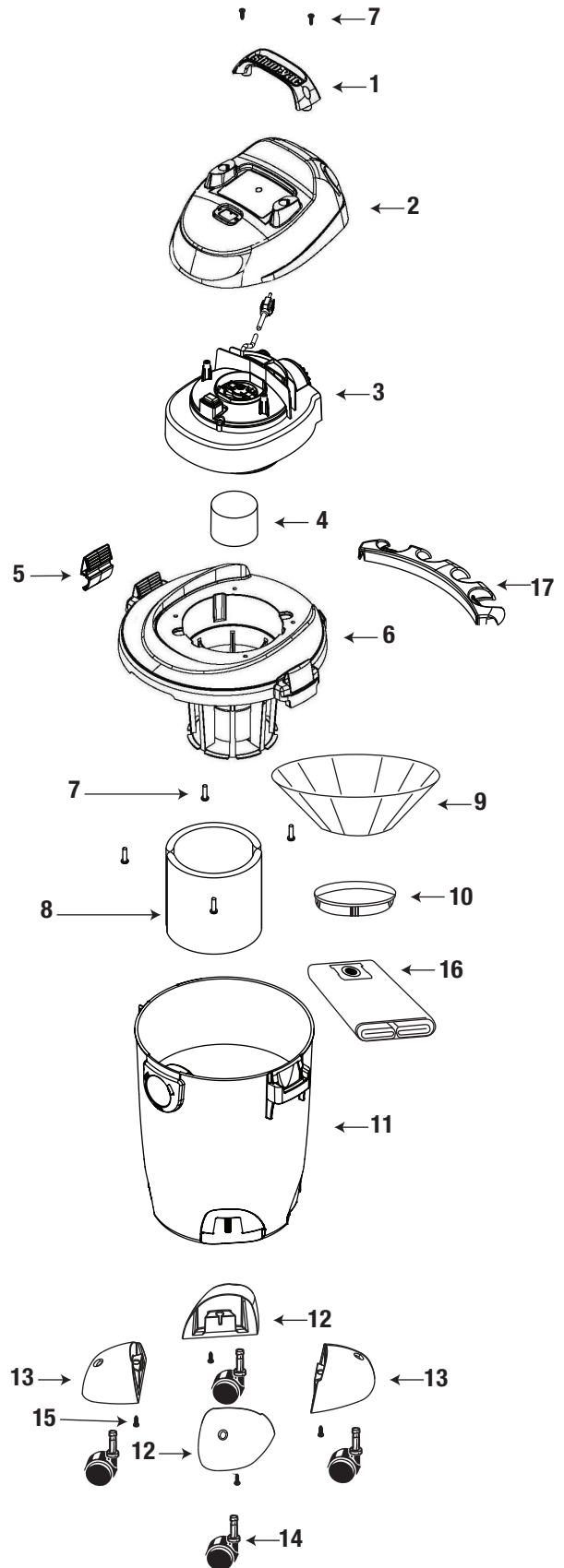


shop-vac®

Mod. SS12-300A CAT. 5982782
(6 U.S. GAL)



ITEM	DESCRIPTION	PART NO.
1	Handle	3756151
2	Motor Cover	1945248
3	Power Unit Assembly	8300397
4	Float	3545000
5	Lid Latch	7444503
6	Lid Cage & Latch Assembly	3186122
7	Screw 10 x 3/4" Trilobe	1517699
8	Foam Sleeve	90585
9	Reusable Dry Filter	90107
10	Filter Ring	3006500
11	Tank Assembly	1944701
12	Caster Foot A	7433100
13	Caster Foot B	7433110
14	Caster	6774200
15	Screw 10 x 3/4" SL Hex Head	1503999
16	Disposable Filter Bag	90661
17	Accessory Holder	8412100

*Replacement parts may differ from original equipment.