

Please read and save these instructions. Read carefully before attempting to assemble, install, operate or maintain the product described. Protect yourself and others by observing all safety information. Failure to comply with instructions could result in personal injury and/or property damage! Retain instructions for future reference.



Jet Pump Water Systems

Description

Shallow well jet pumps are single stage domestic water pumps designed for pumping portable water in applications where the water is located less than 25 feet vertically from the pump. A pressure switch is a standard feature. The shallow well pump can be mounted to either a precharged, conventional type or free standing pressure tank.

Unpacking

After unpacking the jet pump, carefully inspect for any damage that may have occurred during transit. Check for loose, missing or damaged parts.

Safety Guidelines

This manual contains information that is very important to know and understand. This information is provided for SAFETY and to PREVENT EQUIPMENT PROBLEMS. To help recognize this information, observe the following symbols.

DANGER Danger indicates an imminently hazardous situation which, if not avoided, will result in death or serious injury.

WARNING Warning indicates a potentially hazardous situation which, if not avoided, could result in death or serious injury.

CAUTION Caution indicates a potentially hazardous situation which, if not avoided, may result in minor or moderate injury.

NOTICE Notice indicates important information, that if not followed, may cause damage to equipment.

General Safety Information

1. Read the instruction manual included with the product carefully. Be thoroughly familiar with the controls and the proper use of the equipment.
2. Know the pump application, limitations and potential hazards.

WARNING Always install a pressure relief valve to match the system pressure rating and the maximum flow rate.

WARNING Do not use to pump flammable or explosive fluids such as gasoline, fuel oil, kerosene, etc. Do not use in explosive atmospheres. Pump should only be used with liquids compatible with pump component materials. Failure to follow this warning can result in personal injury and/or property damage.

WARNING Disconnect power and release all pressure from the system before attempting to install, service, relocate or perform any maintenance. Lock the power disconnect in the open position. Tag the power disconnect to prevent unexpected application of power.

WARNING Install a screen around the inlet pipe to prevent entrapment of swimmers.

3. Drain all liquids from the system before servicing.
4. Secure the discharge line before starting the pump. An unsecured discharge line will whip and possibly cause personal injury and/or property damage.
5. Check hoses for weak or worn condition before each use. Make certain all connections are secure.
6. Periodically inspect pump and system components. Perform routine maintenance as required (See Maintenance).
7. **Personal Safety:**
 - a. Wear safety glasses at all times when working with pumps.
 - b. Keep work area clean, uncluttered and properly lighted - replace all

- unused tools and equipment.
 - c. Keep visitors at a safe distance from work area.
 - d. Make the workshop childproof use padlocks, master switches and remove starter keys.
8. Do not pump chemicals or corrosive liquids. Pumping these liquids shortens the life of the pumps seals and moving parts and will void the warranty.
 9. When installing pump, cover the well to prevent foreign matter from falling into well and contaminating the water and damaging internal mechanical pumping components.
 10. Always test the water from the well for purity before use. Check with local health department for test procedure.
 11. Complete pump and piping system MUST be protected against below freezing temperature. Freezing temperatures could cause severe damage and void the warranty.
 12. Do not run the pump dry or damage will occur and will void warranty.
- WARNING** Risk of electrical shock. This pump is designed for indoor installation only.
- WARNING** All wiring should be performed by a licensed or certified electrician.
13. For maximum safety, the unit should be connected to a grounded circuit equipped with a ground fault interrupter device.
 14. Before installing the pump, have the electrical outlet checked by a licensed or certified electrician to make sure the outlet is properly grounded.
 15. Make sure the line voltage and frequency of electrical current supply agrees with the motor wiring.

REMINDER: Keep your dated proof of purchase for warranty purposes! Attach it to this manual or file it for safekeeping.

General Safety Information (Continued)

16. Do not attempt repairs to the electric motor. All repairs to the motor must be completed at a licensed or certified electrical motor repair shop.

WARNING Do not touch an operating motor. Modern motors are designed to operate at high temperatures.

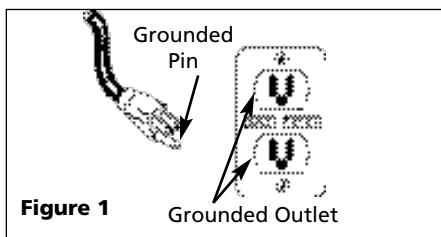
17. Avoid kinking electrical cord and protect from sharp objects, hot surfaces, oil and chemicals. Replace or repair damaged or worn cords immediately.

WARNING Disconnect power and release all pressure from the system before attempting to install, service, relocate or perform any maintenance. Lock the power disconnect in the open position. Tag the power disconnect to prevent unexpected application of power.

18. Keep fingers and foreign objects away from ventilation and other openings. Do not insert any objects into the motor.

WARNING Risk of electric shock! Never connect the green (or green and yellow wire) to a live terminal!

19. To reduce the risk of electrical shock, the pump should be plugged directly into a properly installed and grounded 3-prong grounding type receptacle, as shown in Figure 1. The green (or green and yellow) conductor in the cord is the grounding wire. The motor must be securely and adequately grounded for protection against shock.



20. Where a 2-prong is encountered, replace the plug with a properly grounded 3-prong receptacle in accordance with the National Electrical Code, local codes and ordinances. To ensure a proper ground, the grounding means must be tested by a licensed or certified electrician.

- 21. Use only 3-wire extension cords that have a 3-prong, grounding type plug, and 3-pole receptacles that accept the equipment plug.
- 22. Use wire of adequate size to minimize voltage drop at the motor.

DANGER Do not handle pump or pump motor with wet hands, when standing on a wet or damp surface or when standing in water. Fatal electrical shock could occur.

WARNING Pump motor is equipped with an automatic resetting thermal protector and may restart unexpectedly. Protector tripping is an indication of motor overloading because of operating pump at low heads (low discharge restriction), excessively high or low voltage, inadequate wiring, incorrect motor connections or defective motor or pump.

Pre-Installation

WATER SUPPLIES

The water supplies illustrated in Figure 12 are possible sources for water. These water supplies can be divided into two categories:

SURFACE WATER

Water from a lake, stream, pond and cistern. This water is usually not fit for human consumption, but may be suitable for washing, irrigation or other household uses.

GROUND WATER

Water found in the water bearing stratum at various levels beneath the earth. Of all the fresh water found on earth only 3 percent is found on the surface and 97 percent is underground.

TANKS - CONVENTIONAL STORAGE

The function of the tank is to store a quantity of water under pressure. When full, the tank contains approximately 2/3 water and 1/3

compressed air. The compressed air forces the water out of the tank when a faucet is opened. An air volume control automatically replaces air lost or absorbed into the water. The usable water, or drawdown capacity, of the tank is approximately 1/6 of the tanks total volume when operated on a "20-40" pressure setting (Figure 2).

TANKS - PRECHARGED STORAGE

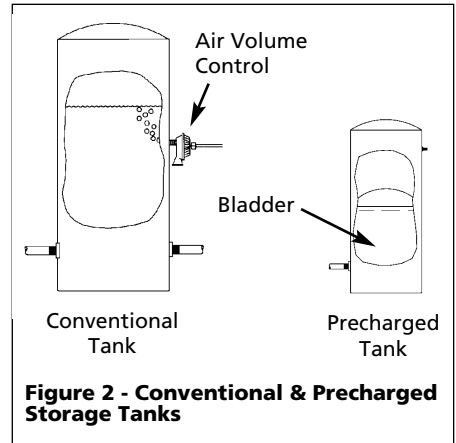


Figure 2 - Conventional & Precharged Storage Tanks

A precharged storage tank has a flexible bladder or diaphragm that acts as a barrier between the compressed air and water. This barrier prevents the air from being absorbed into the water and allows the water to be acted on by compressed air at initially higher than atmospheric pressures (precharged). More usable water is provided than with a conventional type tank. Precharged tanks are specified in terms of a conventional tank. For example, a 20 gallon precharged tank will have the same usable water or drawdown capacity as a 40 gallon conventional tank, but the tank is smaller in size (Figure 2).

PRESSURE SWITCH

The pressure switch provides for automatic operation. The pump starts when pressure drops to a cut-in setting.

CHART 1 - JET PUMP/TANK ASSEMBLIES

	Type	Air Volume Control Required
Well X	Precharged	No
PCA	Precharged	No
12P & 30P Horizontal	Conventional	Yes
FX Horizontal	Precharged	No

Pre-Installation (Continued)

The pump stops when pressure reaches a cut-out setting.

PACKAGE SYSTEMS

There are four jet pump/tank assemblies sold as packages (Chart 1).

WELLS

A new well should be pumped clear of sand before installing the pump. Sand will damage the pumping parts and seal. The drawdown level of the well should not exceed the maximum rated depth for the pump. The capacity of the pump will be reduced and a loss of prime may occur.

Installation

LOCATION

Select a location as close to the water supply as possible. Be sure to comply with any state or local codes regarding the placement of the pump. The equipment must be protected from the elements. A basement or heated pump house is a good location. Make sure the pump has proper ventilation. The temperature surrounding the pump is not to exceed 100° F (40°C) or nuisance tripping of the motor overload may occur.

PIPING

Piping may be copper, steel, rigid PVC plastic or flexible polyethylene plastic.

CAUTION Flexible pipe is not recommended on suction pipe (inlet pipe).

The pipe must be clean and free of rust or scale. Use a pipe joint compound on the male threads of the metal pipe. Teflon® tape should be used with plastic threads. All connections must be air tight to insure normal operation.

Slope all inlet piping upwards towards the pump to prevent trapping air. Unions or hose couplings can be installed near pump to facilitate removal for servicing or storage. A rubber hose installed between the water system and the house piping will reduce the noise transmitted to the house.

PIPE SIZES

Long horizontal pipe runs and an abundance of fittings and couplers decrease water pressure due to friction loss. See Chart 2 to determine the proper pipe size.

SHALLOW WELL INSTALLATION

A shallow well pump can be used when the pump is located within 25 feet vertically of the water level. Shallow well pumps have only one pipe between the pump and the water supply (Figure 3).

DRILLED WELL (FIGURE 12)

1. Install a foot valve on the first section of pipe (Figure 3, Illustration A).
2. Lower the pipe into the well.
3. Add pipe until the foot valve is 5 feet below the lowest anticipated water level.

CAUTION The foot valve should be at least 18" from the bottom of the well or sand or sediment could be drawn into the system.

4. After proper depth is reached, install a well seal or pitless adapter to support pipe and prevent surface water and other contaminants from entering well.
5. Slope the horizontal pipe upward toward the pump to eliminate trapping air. Sloping the pipe will also aid in priming the pump.

DRIVEN WELL (FIGURE 12)

1. Drive the point several feet below the water table.

CHART 2 - PIPE SIZING

Pump Model	Pump Opening	Horizontal Distance (Feet)		
		0-25	26-100	100-300
Shallow Well	Inlet	1 1/4"	1 1/2"	2"
	Outlet	3/4"	1"	1 1/4"

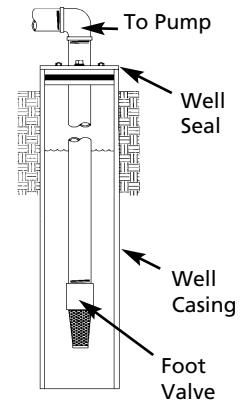


Illustration A

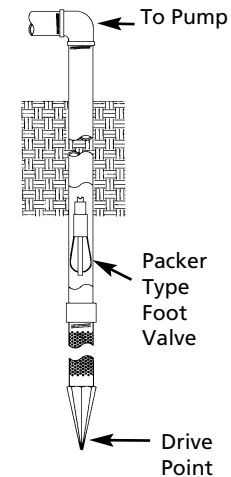


Illustration B

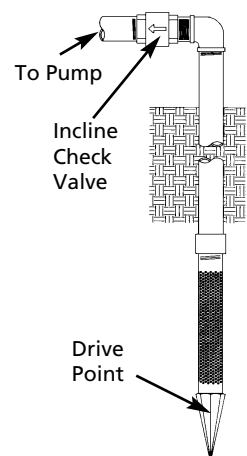


Illustration C

Figure 3

Installation (Continued)

NOTE: A packer type foot valve can be installed in the well (Figure 3, Illustration B). This type of foot valve allows the well to be filled with water when priming and makes the inlet pipe much easier to test for leaks. Follow the manufacturer's instructions when installing the packer type foot valve.

As an alternative, an in-line check valve can be used with a driven well (Figure 3, Illustration C). The pipe between the check valve and the water level will always be under a vacuum.

Leaking joints or couplings will allow air to leak into the pipe and cause abnormal pump operation. Make sure to use pipe joint compound on all male pipe threads.

DUG WELL, CISTERN, LAKE AND SPRING INSTALLATION (FIGURE 12)

1. Install a foot valve on inlet pipe and lower into water.

CAUTION *The foot valve should be at least 18" from the bottom of the well or sand or sediment could be drawn into the system.*

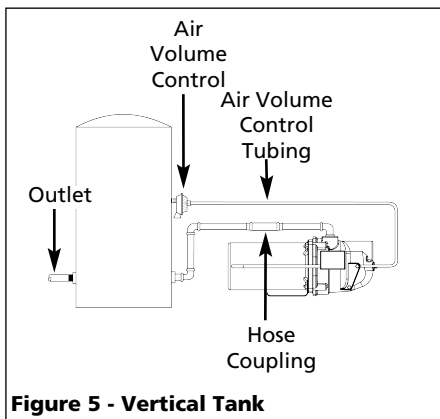
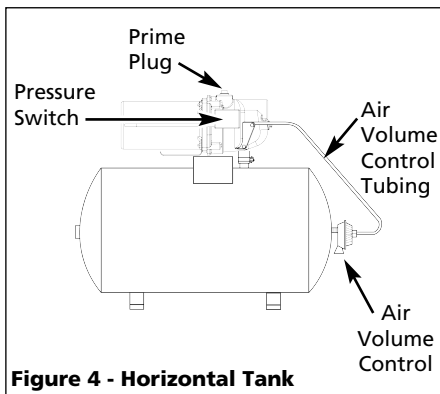
NOTE: When a lake is used as a water supply, make sure the inlet pipe is deep enough to be submerged at all times. Slope the horizontal piping upward toward the pump to prevent trapping air. The pipe must be removed during winter months or protected against freezing.

Protect the pipe from damage from swimmers and boats.

WARNING *Install a screen around the inlet pipe to prevent the entrapment of swimmers.*

SHALLOW WELL PUMP WITH CONVENTIONAL STORAGE TANK (FIGURES 4 & 5)

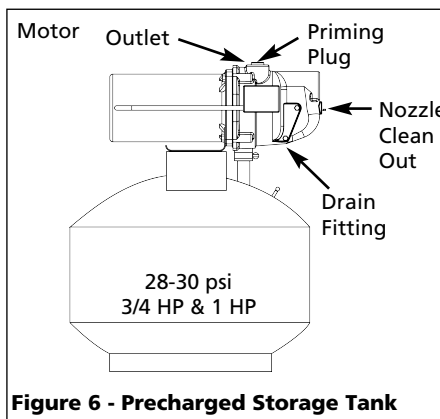
1. Install air volume control on tank.
2. Connect the copper tube from the air volume control to the uppermost 1/8" NPT opening on the side of pump. Be sure the connections are tight. Leaking can cause the pump not to prime.
3. Install a valve and an isolator hose between the tank and the house plumbing to aid in pump removal for servicing and for reducing the



noise transmitted to the house through the piping.

4. Provide a hose bib (faucet) at the lowest point in the system to drain the system for service or storage.

SHALLOW WELL PUMP WITH PRECHARGED STORAGE TANK (FIGURE 6)



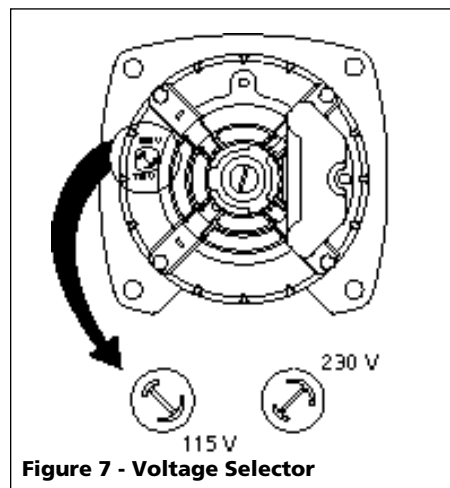
1. Shut off the power to the pump.
2. Open the faucet nearest the tank and allow all water to drain from the tank.
3. Measure the tank precharge at the valve stem using a tire pressure gauge.

4. If necessary, precharge with an air pump to 28 - 30 psi on 1/2, 3/4 and 1 HP pumps.
5. Slope the horizontal pipes upward toward the pump to prevent trapping air. If the horizontal distance exceeds 25 feet, see Chart 2 for the recommended pipe size.

Electrical

WARNING *Risk of electrical shock. This pump is designed for indoor installation only.*

The voltage of power supply must match the voltage of the pump. All above ground well pumps except SWS50BOOST have dual voltage motors preset at the factory to 230 volts. The motors can be converted to 115 volts by turning the voltage selector to the desired voltage (See Figure 7). Use a needle nose pliers to pull the selector out approximately 1/4", rotate and then reinsert in correct position.



Select the proper size wire and fuse (Chart 3). Time delay fuses are recommended over standard fuses for motor circuit protection. All pump motors have built-in automatic overload protection that will prevent damage to the motor due to overheating.

WARNING *Do not connect to electric power supply until unit is permanently grounded. Connect ground wire to approved ground then connect terminal provided.*

A metal underground water pipe or well casing at least 10 feet long makes the best ground electrode. If plastic pipe or insulated fittings are used, run

Electrical (Continued)

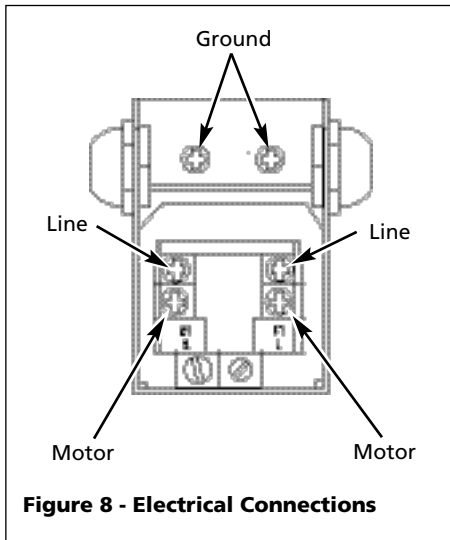


Figure 8 - Electrical Connections

a wire directly to the metal well casing or use a ground electrode furnished by the power company.

There is only one proper ground terminal on the unit. The terminal(s) is located under the pressure switch cover, is painted green and is identified as GRD. The ground connection must be made at this terminal (Figure 8). The ground conductor must not be smaller than the circuit conductors supplying the motor.

WARNING *Disconnect power and release all pressure from the system before attempting to install, service, relocate or perform any maintenance.*

Operation

PRIMING THE SHALLOW WELL PUMP

WARNING *To prevent damage to the pump, do not start motor until pump has been filled with water.*

1. Remove prime plug (Figure 4 or 5).
2. Fill pump and piping completely full of water.
3. Replace the prime plug.
4. Open a faucet to vent the system.
5. Start the motor. Water will pump in a few minutes. If pump fails to prime in 5 minutes, stop motor and refill pump with water. Priming time is proportional to the amount of air in inlet pipe.

6. Let the system operate for several minutes to flush all pipes.
7. Close faucet and allow pump to build pressure in tank. When the pressure reaches the cut-out setting, the motor will stop.

The system is now in operation and will automatically cycle on demand.

Maintenance

WARNING *Disconnect power and release all pressure from the system before attempting to install, service, relocate or perform any maintenance. Lock the power disconnect in the open position. Tag the power disconnect to prevent unexpected application of power.*

CAUTION *Protect the pump from freezing during winter conditions.*

DRAINING THE PUMP

Drain openings are provided on all models. To drain the pump:

1. Remove drain plug and prime plug to vent the system.
2. Drain all piping to a point below the freeze line.

DRAINING THE TANK

Conventional tanks can be drained by opening an outlet at the lowest point in the system. Remove plug or the air volume control to vent the tank.

Precharged tanks force virtually all the water from the tank when system pressure is released. No draining is necessary.

RESTARTING PUMP

If the pump has been serviced, drained or has not been used for some time, be

sure there is water in the pump housing (volute) and the piping to the well. There must be water in the pump housing (volute) at all times when the pump is running to avoid internal damage of seal members (Priming the Shallow Well).

WATERLOGGED TANKS: CONVENTIONAL

When a tank system has an inadequate ratio of air and water, the pump will start and stop often and erratically.

1. Disconnect the power to the pump.
2. Open the lowest faucet in the system to release all pressurized water in the system.
3. Prime the pump (Priming the Shallow Well).
4. Reconnect the power to the pump.

NOTE: As the pump refills the tank with water, the air volume control supplies the tank with the correct air to water ratio for the system to operate. If the air volume control is good, the pump will shut off at the desired cut-off and will be adjusted correctly.

WATERLOGGED TANKS: PRECHARGED

If a precharged tank becomes waterlogged, the bladder is normally leaking or broken.

1. Test the tank by depressing the air valve. The air valve will expel water if the bladder is broken.
2. Replace the tank.

NOTE: Once a bladder is leaking or broken, the bladder cannot be repaired. The tank must be replaced.

CHART 3 - RECOMMENDED FUSE & WIRING DATA - 60 HZ MOTORS

HP	Volt	Dual Element Fuse 250V	Distance In Feet From Meter To Motor			
			0 To 50	51 To 100	101 To 200	201 To 300
			Wire Size			
1/2	115	15	14	14	12	10
	230	10	14	14	14	14
3/4	115	15	14	14	10	8
	230	10	14	14	14	14
1	115	20	12	12	10	8
	230	10	14	14	14	14

Maintenance

(Continued)

LUBRICATION

The bearings used in the pumps are lifetime lubricated at the factory and require no additional lubrication.

PRECHARGED TANK

Some air is lost through the bladder in any tank. To prevent tank failure, check the tank precharge on a yearly basis.

1. Open a faucet nearest the tank and allow all water to drain from the tank.
2. Measure the tank precharge at the valve stem using a tire gauge.
3. If necessary, adjust the precharge with an air pump 28 - 30 psi on 1/2, 3/4 and 1 HP pumps.

REMOVING OLD SHAFT SEAL

CAUTION Turn disconnect switch to "off" position.

1. Open a faucet nearest the tank and allow all water to drain from the tank.
2. Remove the four cap screws holding the pump housing (volute) to the motor (Figure 9).
3. Separate the pump housing (volute) from the motor to expose the diffuser and the seal plate.
4. Remove the two cap screws and diffuser from the seal plate to expose the impeller.
5. Remove the small end cap on the end of the motor opposite the impeller.
6. With a large screwdriver or adjustable wrench, keep the shaft from rotating and remove the impeller by hand (standard right hand thread). Be sure to hold onto the seal plate when removing the impeller from the shaft.
7. Remove the seal plate.
8. Pry the rotating shaft seal member from the impeller (Figure 10).
9. Push or pry the ceramic seat free from the seal plate (Figure 10).
10. Remove loose particles from impeller hub and seal plate.

INSTALLING NEW SHAFT SEAL

CAUTION Before handling shaft seal parts wipe hands clean. Dirt or grease can damage the seal.

1. Wet the inside of the seal cavity on seal plate and the rubber cup enclosing the new ceramic seat with cooking oil. Be careful not to scratch the ceramic surface of the seal seat and push seal enclosed in rubber into seal cavity on seal plate. Use a cardboard washer to protect polished surface when pushing against ceramic seat with any object. Be sure to remove cardboard washer.
2. Carefully slip seal plate over shaft. Do not disturb seal position in seal plate. The seal plate must be orientated during assembly so the two screw holes are on a horizontal line across the motor shaft and the (4) locating pins on the back of the seal plate line up with the tabs on the motor housing (Figure 11). This placement should be done to ensure proper draining and priming.
3. Place rotating shaft seal member in position on impeller and press into place. Take care not to press against polished seal surface.
4. Position impeller on shaft and tighten securely (Figure 12).
5. Secure diffuser to seal plate using the two cap screws. Be sure the screws are orientated on a horizontal line as described in Step 2.
6. Carefully position pump housing (volute) gasket over the diffuser onto the seal plate. In all shallow well applications care must be taken that the o-ring is clean and properly positioned on the venturi. Cleaning and positioning makes a good seal inside the diffuser when assembled.
7. Assemble the pump housing (volute) to the motor using the four cap screws. Be sure the pump housing (volute) gasket is positioned correctly and tighten the screws securely.

NOTE: Shaft must rotate freely and motor end cap should be secured before operation.

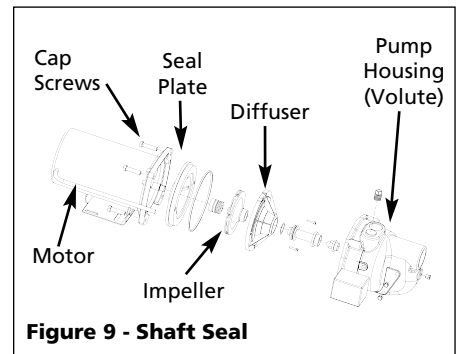


Figure 9 - Shaft Seal

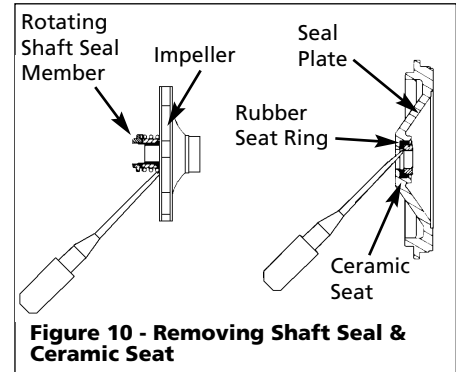


Figure 10 - Removing Shaft Seal & Ceramic Seat

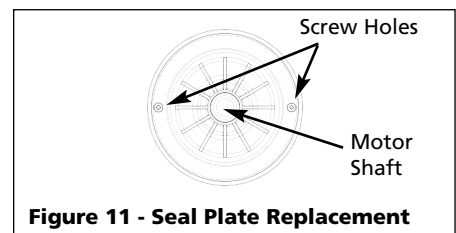


Figure 11 - Seal Plate Replacement

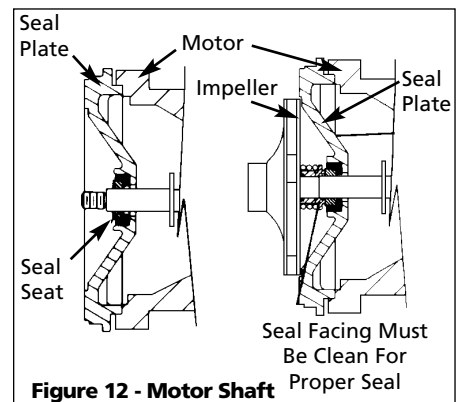
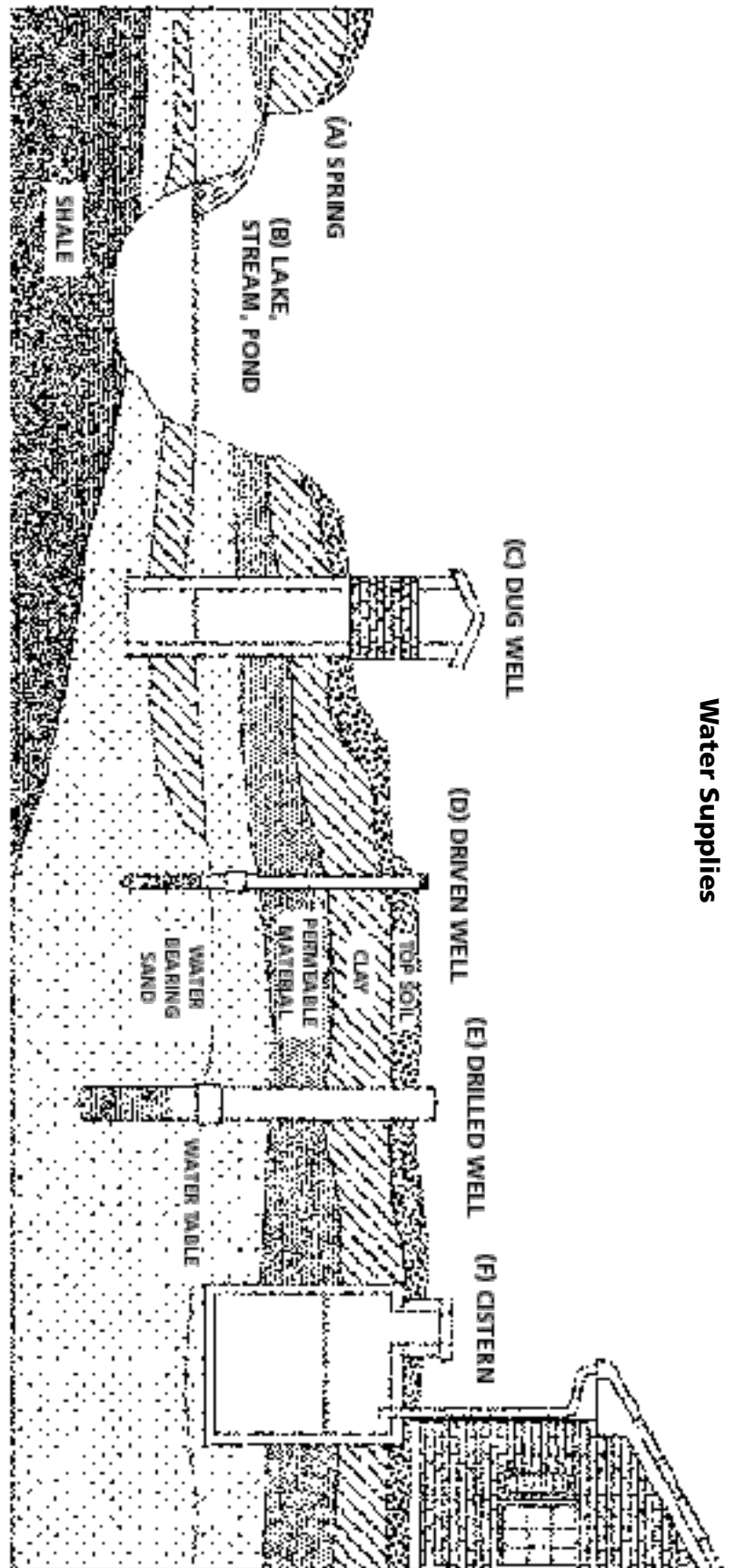


Figure 12 - Motor Shaft

Water Supplies



(A) SPRING:
 A spring that emerges from the ground. Occurs when water in permeable material is trapped between impermeable material as rock or clay.

(B) LAKE, STREAM or POND:
 Surface water, unless treated, is usually not safe for human consumption. It may be used for purposes such as washing or irrigation.

(C) DUG WELL:
 A hole is excavated several feet in diameter to a fairly shallow depth. It is then lined with brick, stone or concrete to prevent cave-in.

(D) DRIVEN WELL:
 Pipe with a pointed screen is driven into the ground below the water table. The depth is usually less than 50 feet. Available diameters are 1" through 2".

(E) DRILLED WELL:
 A hole bored into the earth with machinery and lined with pipe. Depths range from a few feet to over 1000 feet. Common well diameters are 2", 3", 4" and 6" for domestic water wells.

(F) CISTERN:
 An underground tank built to collect rain water from rooftops. The water is not fit for human consumption.

Figure 13 - Water Supplies

Troubleshooting Chart

Symptom	Possible Cause(s)	Corrective Action
Pump will not run	<ol style="list-style-type: none"> 1. Power off 2. Blown fuse or tripped breaker 3. Faulty pressure switch 4. Pressure switch tubing obstructed 5. Motor overload tripped 	<ol style="list-style-type: none"> 1. Turn power on or call power company 2. Replace fuse or reset circuit breaker 3. Replace switch 4. Clean or replace copper tubing 5. Let cool. Overload will automatically reset
Motor hums but will not run	<ol style="list-style-type: none"> 1. Low line voltage 2. Wiring too small 3. Damage or misalignment causing rotating parts to bind 	<ol style="list-style-type: none"> 1. Rewire. See Chart 3* 2. Rewire. See Chart 3* 3. Replace or take to service shop for repair
Overload trips	<ol style="list-style-type: none"> 1. Incorrect line voltage 2. Damage or misalignment causing rotating parts to bind 3. High surrounding temperature 4. Rapid cycling 	<ol style="list-style-type: none"> 1. Rewire. See Chart 3* 2. Take to motor repair shop or locate and repair mechanical binding 3. Provide a shaded, well-ventilated area for pump 4. Pump starts and stops too often section
Pump runs but delivers little or no water	<ol style="list-style-type: none"> 1. Water level below pump intake 2. Control valve open too far (deep well) 3. Discharge not vented while priming 4. Leaking in piping on well side of pump 5. Well screen or inlet strainer clogged 6. Clogged nozzle (deep well) 7. Air volume control diaphragm ruptured 8. Foot valve may be clogged or stuck closed 9. Pump not fully primed 10. Control valve completely closed (deep well) 11. Water level below maximum lift specification 12. Undersized piping 13. Gaseous well 14. Distorted venturi 15. Incorrect jet for application 16. Undersized pump 17. Pump cavitates, sounds like pumping gravel 	<ol style="list-style-type: none"> 1. Lower suction pipe further into well 2. Repeat priming procedure 3. Open faucet, repeat priming procedure 4. Repair piping as needed 5. Clean or replace as necessary 6. Pull jet and clear obstruction 7. Repair or replace air volume control 8. Clean or replace as needed 9. Continue priming, pausing every 5 minutes to cool pump body. Refill pump as needed 10. Adjust control valve per deep well priming procedure 11. Select applicable pump and/or jet assembly 12. Replace as needed 13. Install baffle on pump intake to prevent gas from entering system 14. Inspect and replace 15. Purchase a jet matched to your system when replacing another brand pump 16. Increase horsepower of pump 17. Increase suction plumbing diameter or decrease pipe friction
Pump starts and stops too often	<ol style="list-style-type: none"> 1. Water logged tank (conventional tank) 2. Air volume control tubing kinked or clogged 3. Air volume control tubing connected to wrong opening on pump 4. Incorrect tank precharged (precharged tank) 5. Ruptured diaphragm/bladder (precharged tank) 6. Leak in house piping 7. Foot valve or check valve stuck open 8. Motor overload tripping 9. Improperly adjusted pressure switch 	<ol style="list-style-type: none"> 1. Replace tank or air volume control 2. Clean or replace as needed 3. Move to correct pump opening 4. Add or release air as needed 5. Replace tank 6. Locate and repair leak 7. Remove and replace 8. See overload trips section 9. Readjust or replace switch

* All rewiring and motor repair must be done by licensed or certified professionals

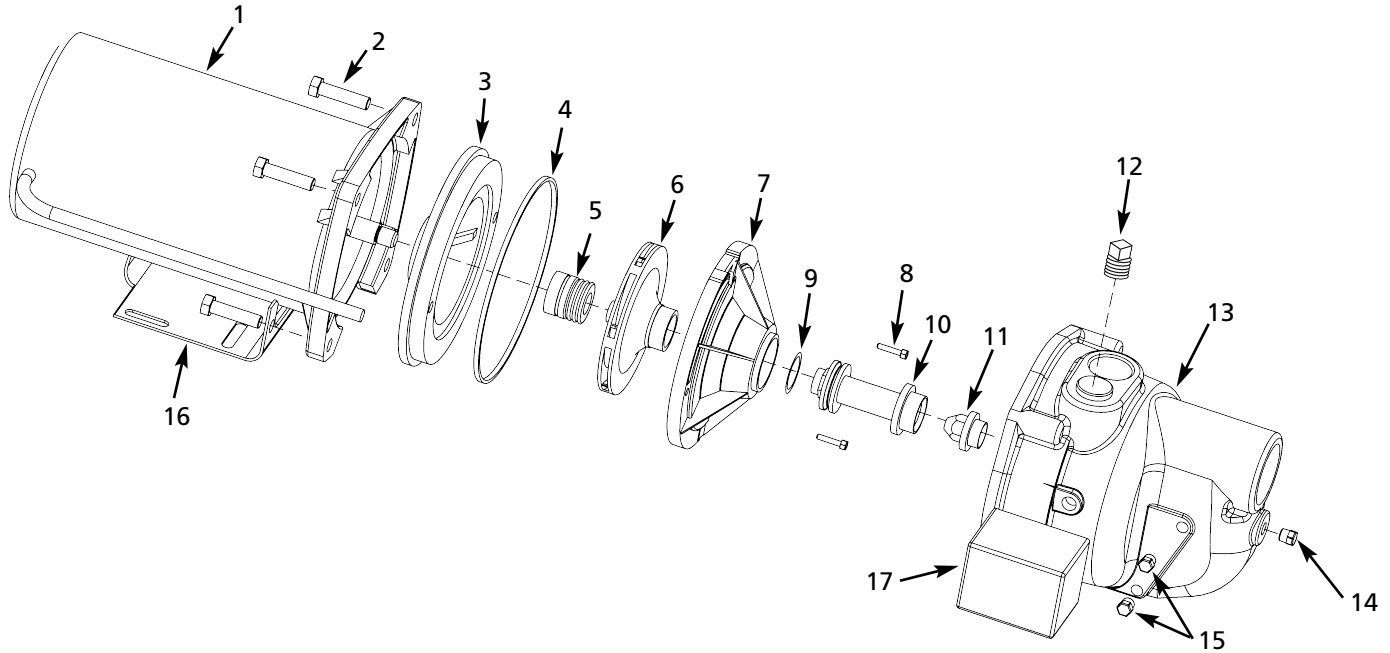
For Replacement Parts, call 1-800-237-0987

Please provide following information:

- Model number
- Serial number (if any)
- Part description and number as shown in parts list

Address parts correspondence to:

Wayne Water Systems
 101 Production Drive
 Harrison, OH 45030 U.S.A.



Ref. No.	Description	Part Numbers for Models			Qty.
		SWS50-1/2 HP	SWS75-3/4 HP	SWS100-1 HP	
1	Motor	32059-001	34142-001	34142-001	1
2	Screw	16636-002	16636-002	16636-002	4
3	Seal plate	4372-001	4372-001	4372-001	1
4	• Square ring rubber gasket	17150-001	17150-001	17150-001	1
5	• Shaft seal assembly	56393	56393	56393	1
6	Impeller	23285-021	23285-022	23285-022	1
7	Diffuser	17148-021	17148-021	17148-021	1
8	Screw	67007-001	67007-001	67007-001	2
9	• O-ring	15557	15557	15557	1
10	Venturi	17151-002	17151-003	17151-004	1
11	Nozzle	15672	15672	15672	1
12	Pipe plug 3/4"	15921	15921	15921	1
13	Volute	56869-001	56869-001	56869-001	1
14	Pipe plug 1/4" NPT	16314-002	16314-002	16314-002	1
15	Pipe plug 1/8" NPT	15766-002	15766-002	15766-002	1
16	Base	23029-021	23029-021	23029-021	1
17	Pressure switch	30010-021	30010-021	30010-021	1
•	Repair kit (Includes #4, 5 and 9)	56874-001	56874-001	56874-001	1

Limited Warranty

For three years from the date of purchase, Wayne Water Systems ("Wayne") will repair or replace, at its option, for the original purchaser any part or parts of its Pond Kit, Sump Pumps or Water Pumps ("Product") found upon examination by Wayne to be defective in materials or workmanship. Please call Wayne (800-237-0987) for instructions or see your dealer. Be prepared to provide the model and serial number when exercising this warranty. All transportation charges on Products or parts submitted for repair or replacement must be paid by purchaser.

This Limited Warranty does not cover Products which have been damaged as a result of accident, abuse, misuse, neglect, improper installation, improper maintenance, or failure to operate in accordance with Wayne's written instructions.

THERE IS NO OTHER EXPRESS WARRANTY. IMPLIED WARRANTIES, INCLUDING THOSE OF MERCHANTABILITY AND FITNESS FOR A PARTICULAR PURPOSE, ARE LIMITED TO THREE YEARS FROM THE DATE OF PURCHASE. THIS IS THE EXCLUSIVE REMEDY AND ANY LIABILITY FOR ANY AND ALL INDIRECT OR CONSEQUENTIAL DAMAGES OR EXPENSES WHATSOEVER IS EXCLUDED.

Some states do not allow limitations on how long an implied warranty lasts, or do not allow the exclusions or limitations of incidental or consequential damages, so the above limitations might not apply to you. This limited warranty gives you specific legal rights, and you may also have other legal rights which vary from state to state.

In no event, whether as a result of breach of contract warranty, tort (including negligence) or otherwise, shall Wayne or its suppliers be liable for any special, consequential, incidental or penal damages including, but not limited to loss of profit or revenues, loss of use of the products or any associated equipment, damage to associated equipment, cost of capital, cost of substitute products, facilities, services or replacement power, downtime costs, or claims of buyer's customers for such damages.

You **MUST** retain your purchase receipt along with this form. In the event you need to exercise a warranty claim, you **MUST** send a **copy** of the purchase receipt along with the material or correspondence. Please call Wayne (800-237-0987) for return authorization and instructions.

DO NOT MAIL THIS FORM TO WAYNE. Use this form only to maintain your records.

MODEL NO. _____ SERIAL NO. _____ INSTALLATION DATE _____

ATTACH YOUR RECEIPT HERE

S'il vous plaît lire et conserver ces instructions. Lire attentivement avant de monter, installer, utiliser ou de procéder à l'entretien du produit décrit. Se protéger ainsi que les autres en observant toutes les instructions de sécurité, sinon, il y a risque de blessure et/ou dégâts matériels! Conserver ces instructions comme référence.



Systèmes D'Eau De Pompe À Jet

Description

Les pompes à jet pour puits de surface sont des pompes à eau à une étage à usage domestique conçues pour le pompage d'eau potable là où la source d'eau est située moins de 7,62 m verticalement de la pompe. Un manostat est standard. La pompe pour puits de surface peut être montée sur un réservoir de pression chargé d'avance, traditionnel, ou autoportant.

Déballage

Lors du déballage de la pompe à jet, l'inspecter soigneusement afin de rechercher toute trace de dommage susceptible de s'être produit en cours de transport. Vérifier pour des pièces délogées, endommagées, ou manquantes.

Directives de Sécurité

Ce manuel contient de l'information très importante de connaître et de savoir qui est fournie pour la SÉCURITÉ et pour ÉVITER LES PROBLÈMES D'ÉQUIPEMENT. Rechercher les symboles suivants pour cette information.

ADANGER

Danger indique une situation hasardeuse imminente qui, si pas évitée, résultera en perte de vie ou en blessures graves.

AAVERTISSEMENT

Avertissement indique une situation hasardeuse potentielle qui, si pas évitée, résultera en perte de vie ou en blessures graves.

AATTENTION

Attention indique une situation hasardeuse potentielle qui, si pas évitée, pourrait résulter en blessures.

AVIS

Avis indique de l'information importante pour éviter le dommage à l'équipement.

Généralités sur la Sécurité

1. Lire attentivement le manuel d'instructions compris avec le produit. Bien se familiariser avec les contrôles et le fonctionnement correct de l'équipement.
2. Connaître l'application de la pompe, ses limites et tous les risques.

AAVERTISSEMENT **Toujours installer une soupape de sûreté correspondante à la classification de pression du système et au taux de débit maximum.**

AAVERTISSEMENT **Ne pas pomper les liquides inflammables ou explosifs tels que l'essence, l'huile à chauffage, le kérosène, etc. Ne pas utiliser dans un atmosphère explosif. Utiliser la pompe seulement avec les liquides compatibles avec les matériaux de fabrication de la pompe. Manque de suivre cet avertissement peut résulter en blessures graves et/ou en dégâts matériels.**

AAVERTISSEMENT **Mettre hors circuit et dissiper toute la pression du système avant d'essayer de monter, de déplacer ou de procéder au service ou à l'entretien. Verrouiller le sectionneur de puissance dans la position ouverte. Étiqueter le sectionneur de puissance afin d'éviter l'alimentation inattendue.**

AAVERTISSEMENT **Installer un écran de protection autour du tuyau d'admission pour empêcher d'emprisonner les nageurs.**

3. Purger tous les liquides du système avant de procéder au service.
4. Fixer la ligne de décharge avant le démarrage de la pompe. Une ligne qui n'est pas bien fixée pourrait fouetter et causer des blessures personnelles et/ou le dégât matériel.
5. Inspecter les tuyaux pour la faiblesse ou l'usure avant chaque usage. S'assurer que tous raccords soient sûrs.
6. Inspecter la pompe et les pièces détachées du système périodiquement. Procéder à

l'entretien ordinaire au besoin (Voir la section Entretien).

7. Sécurité Personnelle:

- a. Toujours porter des lunettes de sécurité pendant l'utilisation d'une pompe.
 - b. Garder l'endroit de travail propre, pas encombré et bien éclairé. Ranger tous les outils et l'équipement dont on ne se sert pas.
 - c. Garder les visiteurs à distance respectueuse de l'endroit de travail.
 - d. Protéger l'atelier des enfants en utilisant des cadenas et des interrupteurs principaux. Enlever les clés de démarrage.
8. Ne pas pomper de produits chimiques ni de liquides corrosifs. Le pompage de ces liquides peut raccourcir la durée des joints et des pièces mobiles de la pompe et nier la garantie.
 9. Couvrir le puits pendant l'installation de la pompe afin d'empêcher le débris de tomber dans le puits qui pourrait contaminer l'eau et endommager les pièces mécaniques internes de pompage.
 10. Toujours faire l'essai de l'eau du puits pour la pureté avant l'usage. Contacter votre Ministère de Santé pour la méthode de mise à l'essai.
 11. Le système complet de pompe et de tuyaux DOIT être protégé contre les températures inférieures à zéro. Les températures congélantes peuvent causer le dommage sérieux et nier la garantie.
 12. Ne pas faire fonctionner la pompe au sec, ceci l'endommagera.

AAVERTISSEMENT **Risque de secousse électrique. Cette pompe est conçue pour l'installation à l'intérieure seulement.**

AAVERTISSEMENT **Toute installation de fils doit être effectuée par un électricien certifié ou diplômé.**

MÉMENTO: Gardez votre preuve datée d'achat à fin de la garantie!
Joignez-la à ce manuel ou classez-la dans un dossier pour plus de sécurité.

Généralités sur la Sécurité (suite)

13. Pour la sécurité maximum, le modèle devrait être branché à un circuit de terre équipé d'un appareil qui protège contre le dérangement dû à une mise accidentelle à la terre.
14. Faire inspecter la prise de courant par un électricien diplômé ou certifié afin d'assurer que la prise soit mise à la terre correctement avant d'installer la pompe.
15. S'assurer que la tension de ligne et que la fréquence de la source de courant électrique soient compatibles avec l'installation de fils du moteur.
16. Ne pas essayer de réparer le moteur électrique. Toutes réparations du moteur électrique doivent être complétées à un atelier de réparations de moteur certifié.

AVERTISSEMENT *Ne jamais toucher un moteur en marche. Les moteurs modernes sont conçus pour le fonctionnement aux températures élevées.*

17. Éviter le tortillement du cordon d'alimentation et protéger le cordon d'alimentation contre les objets pointus, les surfaces chaudes, l'huile et les produits chimiques. Remplacer ou réparer les cordons endommagés ou usés immédiatement.

AVERTISSEMENT *Débrancher la source d'alimentation et dissiper toute la pression du système avant d'essayer d'installer, de déplacer ou de procéder au service ou à l'entretien. Verouiller le sectionner d'alimentation dans la position ouverte. Étiqueter le sectionner d'alimentation afin d'éviter l'alimentation inattendue.*

18. Garder les doigts et les objets à l'écart des ouvertures telles que celles de ventilation. Ne jamais introduire des objets dans le moteur

AVERTISSEMENT *Risque de secousse électrique! Ne jamais brancher le fil vert (ou vert et jaune) à une borne sous tension!*

19. Pour réduire le risque de secousse électrique, la pompe devrait être branchée directement dans une prise de courant à 3 broches mise à la terre et installée correctement telle qu'indiquée sur la Figure 1. Le

fil conducteur vert (ou vert et jaune) dans le cordon est le fil de terre. Le moteur doit être mis à la terre avec

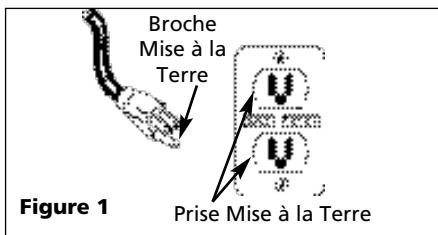


Figure 1

sûreté afin de protéger contre les secousses électriques.

20. S'il y a une prise à 2 broches, remplacer la prise avec une prise de courant à 3 broches mise à la terre correctement conformément aux Code Électrique National (National Electrical Code) et aux codes et règlements locaux. Assurer une mise à la terre correcte requiert l'inspection par un électricien certifié ou diplômé.
21. Utiliser seulement les cordons prolongateurs à 3 fils ayant une fiche mise à la terre à 3 broches et prises de courant tripolaires qui acceptent la fiche de l'équipement.
22. Utiliser un fil de taille suffisante afin de réduire la perte de tension au moteur.

DANGER *Ne pas manipuler la pompe ni le moteur de pompe avec les mains trempées, si debout sur une surface trempée ou humide ou debout dans l'eau. Ceci peut résulter en secousse électrique mortelle.*

AVERTISSEMENT *Le moteur de la pompe est équipé d'un protecteur thermique à réenclenchement automatique et peut se mettre en marche sans avis. Le déclenchement du protecteur indique le surcharge du moteur causé par l'opération de la pompe avec*

une restriction de décharge basse, tension très élevée ou basse, installation de fils incorrecte, branchements de moteur incorrects ou moteur/pompe défectueux.

Pré-Installation

SOURCES D'EAU

Les sources d'eau possibles sont indiquées sur la Figure 12. Les deux catégories de sources d'eau sont:

L'EAU DE SURFACE

L'eau de lac, ruisseau, étang et réservoir. Cette eau est généralement impropre à la consommation, mais peut être utilisée pour le lavage, l'irrigation ou autres usages domestiques.

EAU SOUTERRAINE

L'eau existe dans la strate souterraine à plusieurs niveaux. De toutes les sources d'eau fraîche sur la terre, seulement 3 pourcent est à la surface, et 97 pourcent est souterraine.

RÉSERVOIRS - ENTREPOSAGE TRADITIONNEL

La fonction du réservoir est de garder une quantité d'eau sous pression. Le réservoir plein contient approximativement 2/3 eau et 1/3 air comprimé. L'air comprimé force l'eau hors du réservoir lorsqu'un robinet est ouvert. Un contrôle de volume d'air remplace automatiquement l'air perdue ou absorbée. L'eau utilisable, ou la

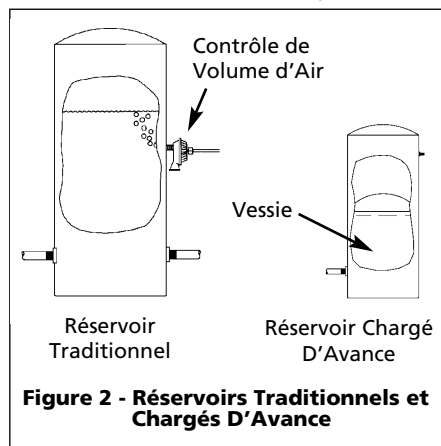


Figure 2 - Réservoirs Traditionnels et Chargés D'Avance

TABLEAU 1 - MONTAGES DE POMPE À JET/RÉSERVOIR

Type	Contrôle de Volume d'Air Requis	
Puits X	Chargé d'avance	Non
PCA	Chargé d'avance	Non
12P & 30P Horizontal	Traditionnel	Oui
FX Horizontal	Chargé d'avance	Non

Pré-Installation (Suite)

capacité du réservoir est approximativement 1/6 du volume total du réservoir si réglé à un réglage de pression de "138-276 kPa" (Figure 2).

RÉSERVOIRS CHARGÉS D'AVANCE

Un réservoir chargé d'avance a une vessie ou diaphragme qui fonctionne comme une barrière entre l'air comprimé et l'eau. Cette barrière empêche l'absorption d'air dans l'eau et permet l'action par l'air comprimé aux pressions de début plus élevées que la pression atmosphérique (chargé d'avance). Plus d'eau utilisable est fournie par rapport aux réservoirs traditionnels. Les réservoirs chargés d'avance sont spécifiés par rapport aux réservoirs traditionnels. Un réservoir chargé d'avance de 75,7 L aura la même capacité d'eau utilisable qu'un réservoir traditionnel de 151,4 L, mais le réservoir est plus petit (Figure 2).

MANOSTAT

Le manostat est fourni pour l'opération automatique. La pompe se met en marche quand la pression tombe à un réglage de mis en marche réglé d'avance. La pompe s'arrête quand la pression atteint le réglage d'arrêt réglé d'avance.

SYSTÈMES EN PAQUETS

Il y a quatre montages de pompe à jet/réservoir disponibles en paquets (Tableau 1).

PUITS

Un puits nouveau devrait être vidé de sable avant l'installation de la pompe. Le sable pourrait endommager les pièces et le joint de la pompe. Le niveau d'aspiration du puits ne devrait pas dépasser la classification de profondeur maximum de la pompe. Ceci pourrait réduire la capacité de la pompe et la pompe pourrait perdre son amorçage.

Installation

SITUATION

Choisissez un endroit aussi près de la source d'eau que possible. Placer la pompe conformément aux codes nationaux ou locaux. L'équipement doit être protégé contre les éléments. Un bon endroit peut être un sous-sol ou une station de pompage chauffée. S'assurer que la ventilation à la pompe soit suffisante. La température autour de la pompe ne doit pas dépasser 40°C car ceci peut causer le déclenchement du protecteur de surcharge de moteur.

TUYAUTERIE

Utiliser la tuyauterie en cuivre, en acier, en plastique CPV rigide ou en plastique flexible polyéthylène.

ATTENTION L'utilisation des tuyaux flexibles n'est pas recommandée sur le tuyau d'aspiration (tuyau d'admission).

Le tuyau doit être propre et libre de rouille ou d'écaillés. Utiliser un composé de joint sur les filets mâles du tuyau métallique. Utiliser le ruban Teflon® sur les filets en plastique. Tous les raccords doivent être étanches à l'air afin d'assurer le bon fonctionnement.

Incliner tous les tuyaux d'admission en haut vers la pompe afin d'éviter la prise d'air. L'utilisation des raccords ou accouplements de tuyaux près de la pompe peuvent faciliter le démontage pour le service ou l'entreposage. Un tuyau en caoutchouc installé entre le système d'eau et la tuyauterie de maison peut réduire le bruit dans la maison.

TAILLES DE TUYAUX

Les chemins de tuyaux longs et horizontaux l'utilisation de trop de raccords et d'accouplements peuvent diminuer la pression d'eau à cause de pertes par le frottement. Se référer au Tableau 2 pour les tailles correctes de tuyaux.

TABLEAU 2 - TAILLES DE TUYAUX

Modèle de Pompe	Ouverture de Pompe	Distance Horizontale (Metres)		
		0-7,62	7,93-30,5	7,93-91,4
Puits Profund	Arrivée	1 1/4 po	1 1/2 po	2 po
	Sortie	3/4 po	1 po	1 1/4 po

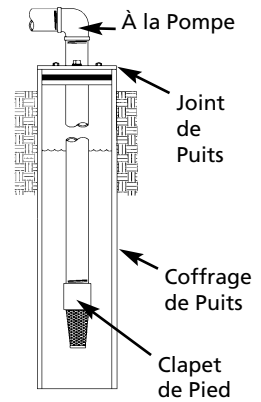


Illustration A

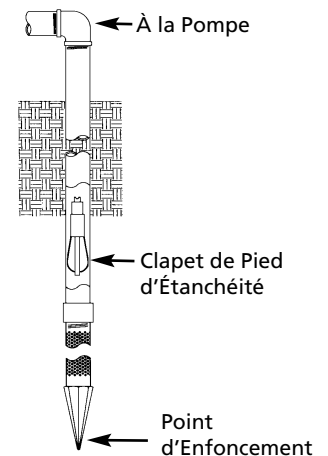


Illustration B

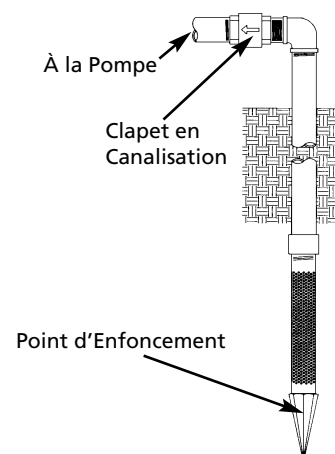


Illustration C

Figure 3

Installation (suite)

INSTALLATION DE PUIITS DE SURFACE

Utiliser une pompe pour puits de surface si la pompe est située à moins de 7,62 m verticalement du niveau d'eau. Les pompes pour puits de surface ont un seul tuyau entre la pompe et la source d'eau (Figure 3).

PUIITS FORÉ (FIGURE 12)

1. Installer un clapet de pied sur la première section de tuyau (Figure 3, Illustration A).
2. Baisser le tuyau dans le puits.
3. Ajouter des tuyaux jusqu'à ce que le clapet soit 1,5 m sous le niveau d'eau le plus bas possible.

ATTENTION Situer le clapet de pied au moins 18 po du fond du puits afin d'éviter l'aspiration de sable ou de sédiment dans le système.

4. Une fois que la profondeur correcte soit atteinte, installer un joint de puits ou adaptateur pour soutenir le tuyau et pour empêcher la pollution du puits par l'eau de surface ou autres polluants.
5. Incliner le tuyau horizontal en haut vers la pompe pour empêcher d'emprisonner l'air. L'inclinaison aide aussi à l'amorçage de la pompe.

PUIITS ENFONCÉ (FIGURE 12)

1. Enfoncer le point plusieurs mètres sous le niveau hydrostatique.

REMARQUE: Un clapet de pied d'étanchéité peut être installé dans le puits (Figure 3, Illustration B). Ce type de clapet de pied permet que le puits se remplisse d'eau pendant l'amorçage et facilite la recherche des fuites. Respectez les instructions du fabricant pendant l'installation du clapet de pied d'étanchéité.

Alternativement, un clapet en canalisation peut être utilisé avec un puits creusé (Figure 3, Illustration C). Le tuyau entre le clapet et le niveau d'eau sera toujours à vide.

Des fuites dans les joints ou dans les accouplements permettront l'air de s'échapper dans le tuyau et causera le fonctionnement abnormal de la pompe. S'assurer d'utiliser du composé pour joints sur tous les filets mâles.

INSTALLATION POUR PUIITS CREUSÉS, CITERNES, LACS ET SOURCES (FIGURE 12)

1. Installer un clapet de pied sur le tuyau d'admission et le submerger.

ATTENTION Situer le clapet de pied au moins 18 po du fond du puits afin d'éviter l'aspiration de sable ou de sédiment dans le système.

REMARQUE: Si un lac est la source d'eau, s'assurer que le tuyau d'admission soit assez profond pour qu'il demeure immergé.

Incliner le tuyau horizontal en haut vers la pompe afin d'éviter d'emprisonner l'air. Enlever le tuyau pendant l'hiver ou le protéger contre le gel.

Protéger le tuyau contre le dommage causé par les nageurs et les bateaux.

AVERTISSEMENT Installer un écran autour du tuyau d'admission afin d'empêcher d'emprisonner les nageurs.

POMPE POUR PUIITS DE SURFACE AVEC RÉSERVOIR TRADITIONNEL (FIGURES 4 & 5)

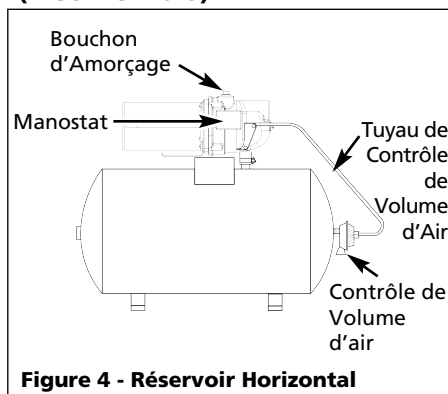


Figure 4 - Réservoir Horizontal

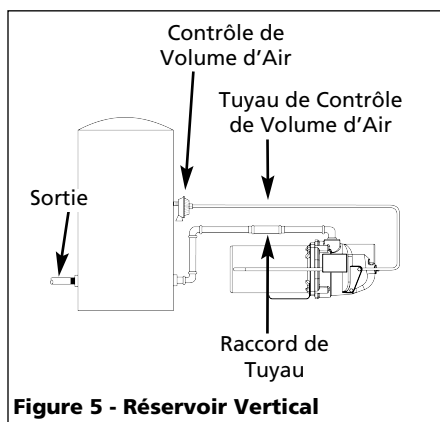


Figure 5 - Réservoir Vertical

1. Installer un contrôle de volume d'air sur le réservoir.
2. Brancher le tuyau en cuivre du contrôle de volume d'air à l'ouverture la plus élevée 1/8 po NPT sur le côté de la pompe et s'assurer que les raccords soient bien serrés. Les fuites peuvent empêcher l'amorçage de la pompe.

3. Installer une soupape et un tuyau isolateur entre le réservoir et la tuyauterie de maison afin d'aider à démonter la pompe pour le service et pour réduire le bruit dans la maison.
4. Fournir un robinet au point le plus bas du système afin de faciliter le vidange pour le service ou l'entreposage.

POMPE POUR PUIITS DE SURFACE AVEC UN RÉSERVOIR CHARGÉ D'AVANCE (FIGURE 6)

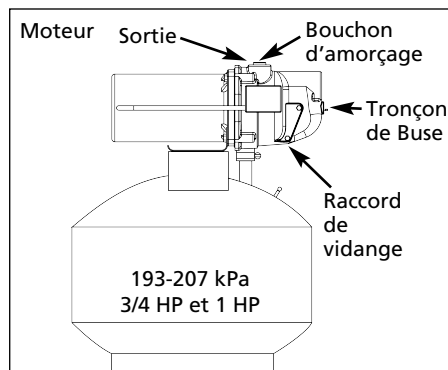


Figure 6 - Réservoir Chargé d'Avance

1. Couper l'alimentation électrique à la pompe.
2. Ouvrir le robinet près du réservoir et permettre que l'eau s'écoule du réservoir.
3. Mesurer la charge du réservoir avec un manomètre pour pneus.
4. Charger d'avance, si nécessaire avec une pompe à air à 193 - 207 kPa sur les pompes de 1/2, 3/4 et 1 HP.
5. Incliner les tuyaux horizontaux en haut vers la pompe afin d'empêcher d'emprisonner l'air. Si la distance horizontale dépasse 7,6 m, voir le Tableau 1 pour la taille de tuyau recommandée.

Électrique

AVERTISSEMENT Risque de secousse électrique. Cette pompe est conçue pour l'installation à l'intérieure seulement.

La tension de la source d'alimentation doit correspondre avec la tension de la pompe. Toutes les pompes de puits de surface sauf le modèle SWS50BOOST ont des moteurs à tension double

Électrique (suite)

préréglés en usine à 230 volts.

Les modèles peuvent être transformés à 115 volts en tournant le sélecteur de tension à la tension désirée (Voir la Figure 7). Utiliser des pinces à long bec et tirer le sélecteur environ 6,4 mm, tourner, et le fixer dans la position correcte.

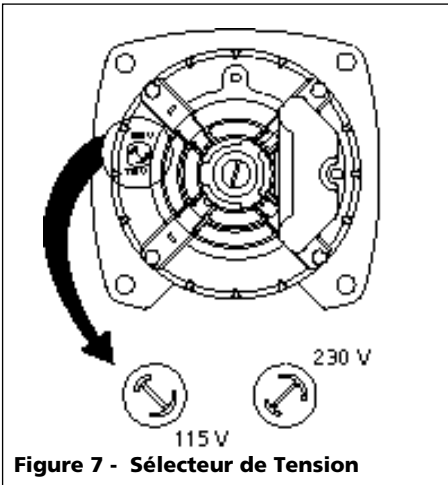


Figure 7 - Sélecteur de Tension

Choisissez la taille correcte de fusible et de fil (Tableau 3). Les fusibles à retardement sont recommandés pour la protection des circuits de moteur. Tous les moteurs de pompes ont un protecteur de surcharge automatique qui empêche le dommage au moteur causé par le surchauffage.

AVERTISSEMENT Ne pas brancher à une source d'alimentation électrique jusqu'à ce que le modèle soit mis à la terre correctement. Connecter le fil de terre à une source de terre approuvée et ensuite connecter la borne fournie.

Un tuyau d'eau métallique souterrain ou un coffret de puits au moins 3 m de long sont en permanence l'idéal comme électrode de terre. Si un tuyau en plastique ou des raccords isolés sont utilisés, filer un fil directement au coffrage de puits métallique ou utiliser un électrode de terre fournie par la compagnie d'électricité.

Il y a seulement une borne de mise à la terre correcte sur le modèle. La borne(s) est située sous le couvercle du manostat, est peinte verte et est identifiée par les lettres GRD. La connexion de mise à la terre doit être complétée à cette borne (Figure 8). Le fil de terre doit être au moins la même taille que les fils de circuits qui alimentent le moteur.

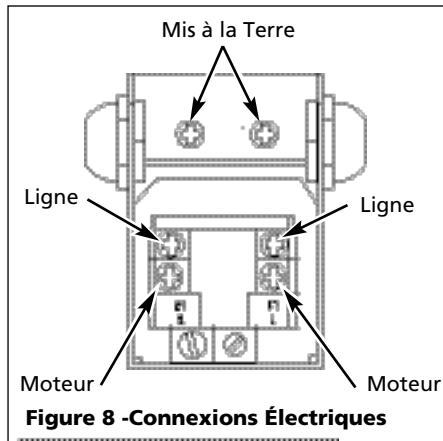


Figure 8 - Connexions Électriques

AVERTISSEMENT Débrancher de l'alimentation électrique et dissiper toute la pression du système avant d'essayer d'installer, de déplacer ou de procéder au service ou à l'entretien.

Fonctionnement

AMORÇAGE DE LA POMPE POUR PUIXS DE SURFACE

AVERTISSEMENT Pour empêcher le dommage à la pompe, ne pas démarrer le moteur jusqu'à ce que la pompe soit remplie d'eau.

1. Enlever le bouchon d'amorçage.
2. Remplir la pompe et la tuyauterie complètement d'eau.
3. Remplacer le bouchon d'amorçage.
4. Ouvrir un robinet afin de purger le système.
5. Démarrer le moteur. L'eau commencera à pomper dans quelques minutes. Si la pompe manque d'amorcer dans 5 minutes, arrêter le moteur et remplir la pompe d'eau à nouveau. Le temps d'amorçage dépend du volume d'air dans le tuyau d'admission.

6. Laisser fonctionner le système pendant plusieurs minutes pour faire la chasse d'eau de tous les tuyaux.
7. Fermer le robinet et permettre la pression de s'accumuler dans le réservoir. Quand la pression atteint le réglage d'arrêt réglé d'avance, le moteur s'arrêtera.

Le système est maintenant en marche et fonctionnera automatiquement au besoin.

Entretien

AVERTISSEMENT Mettre hors circuit et dissiper toute la pression du système avant d'essayer de monter, de déplacer ou de procéder au service ou à l'entretien. Verrouiller le sectionneur de puissance dans la position ouverte. Étiqueter le sectionneur de puissance afin d'éviter l'alimentation inattendue.

ATTENTION Protéger la pompe contre le gel pendant l'hiver.

VIDANGE DU RÉSERVOIR

Tous les modèles ont des ouvertures de vidange. Pour vider la pompe:

1. Enlever le bouchon de vidange et le bouchon d'amorçage pour ventiler le système.
2. Purger tous les tuyaux à un point sous la ligne de gel.

VIDANGE DU RÉSERVOIR

Vidanger les réservoirs traditionnels en ouvrant une sortie au point le plus bas du système. Enlever le bouchon ou le contrôle de volume d'air pour ventiler le réservoir.

Les réservoirs chargés d'avance forcent presque toute l'eau du réservoir quand la pression du système est dissipée. Le vidange n'est pas nécessaire.

TABLEAU 3 - RECOMMANDATIONS DE FUSIBLE ET DE FILS - MOTEURS 60 HZ

HP	Volts	Fusible À Élément Double 250V	Distance En Pieds Metre à Moteur			
			0 À 15,2	15,6 À 30,5	30,8 À 61	61,3 À 91,4
			Taille de Fil			
1/2	115	15	14	14	12	10
	230	10	14	14	14	14
3/4	115	15	14	14	10	8
	230	10	14	14	14	14
1	115	20	12	12	10	8
	230	10	14	14	14	14

Entretien (Suite)

RELANCEMENT DE LA POMPE

Si la pompe a été réparée, vidangée ou hors service pour un temps prolongé, s'assurer qu'il y ait de l'eau dans le carter de la pompe (volute) et dans la tuyauterie du puits. Il doit toujours y avoir de l'eau dans le carter de la pompe (volute) pendant le fonctionnement afin d'éviter le dommage aux pièces de joints (Amorçage De Pompes Pour Puits De Surface).

RÉSERVOIRS SATURÉS D'EAU: TRADITIONNELS

Quand un système de réservoir a un rapport d'air et eau insuffisant, la pompe se mettra en marche et s'arrêtera souvent et irrégulièrement.

1. Débrancher la source d'alimentation à la pompe.
2. Ouvrir le robinet le plus bas du système pour dissiper toute l'eau pressurisée dans le système.
3. Amorcer la pompe (Amorçage De Pompes Pour Puits De Surface).
4. Brancher à nouveau l'alimentation à la pompe.

REMARQUE: Lors du remplissage du réservoir par la pompe, le contrôle de volume d'air fournit le réservoir avec le rapport correct d'air à eau. Si le contrôle de volume d'air est suffisant, la pompe s'arrêtera au réglage d'arrêt réglé d'avance et sera réglée correctement. Si un réservoir chargé d'avance devient saturé d'eau, la cause est normalement une fuite ou la rupture du vessie.

RÉSERVOIRS SATURÉS D'EAU: CHARGÉ D'AVANCE

11. Faire l'essai du réservoir en appuyant sur la soupape d'air. De l'eau sortirait de la soupape si la vessie est cassée.
2. Remplacer le réservoir.

REMARQUE: La vessie ne peut pas être remplacée, le réservoir doit être remplacé.

GRAISSAGE

Les roulements utilisés dans les pompes sont graissés en permanence à l'usine et n'exigent aucun graissage.

RÉSERVOIR CHARGÉ D'AVANCE

Un peu d'air est perdu à travers la vessie dans tous les réservoirs. Pour éviter la

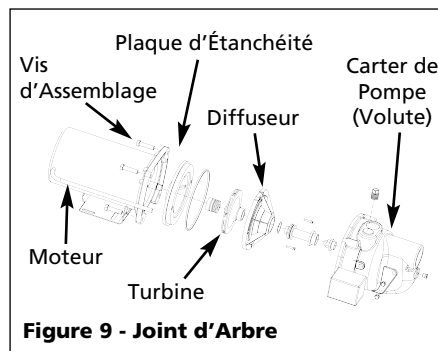
panne du réservoir, vérifier la charge du réservoir annuellement.

1. Ouvrir un robinet près du réservoir et permettre le vidange d'eau du réservoir.
2. Mesurer la charge du réservoir à la tige de soupape avec un manomètre pour pneus.
3. Régler la charge au besoin avec une pompe à air 172 - 207 kPa sur les pompes de 1/2, 3/4 et 1 HP.

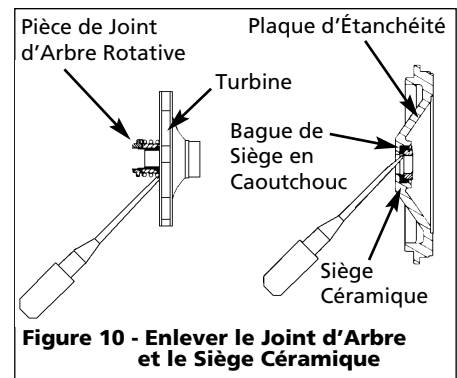
ENLEVER LE VIEUX JOINT D'ARBRE

ATTENTION Régler l'interrupteur à la position "off" (hors circuit).

1. Ouvrir un robinet près du réservoir et vidanger toute l'eau du réservoir.
2. Enlever les quatre vis d'assemblage du carter de la pompe (volute) (Figure 9).



3. Séparer le carter de la pompe (volute) du moteur afin d'exposer le diffuseur et la plaque d'étanchéité.
4. Enlever les deux vis d'assemblage et le diffuseur de la plaque d'étanchéité afin d'exposer la turbine.
5. Enlever le petit bouchon sur le bout du moteur au sens opposé de la turbine.
6. Avec un tournevis large ou une clé à ouverture variable, empêcher la rotation de l'arbre et enlever la turbine avec la main (filet standard à droite). S'assurer de bien tenir la plaque d'étanchéité en fonte pendant l'enlèvement de la turbine de l'arbre.
7. Enlever la plaque d'étanchéité.
8. Soulever à l'aide d'un levier, la pièce de joint d'arbre rotative de la turbine (Figure 10).
9. Appuyer sur, ou soulever la siège céramique de la plaque d'étanchéité (Voir Figure 10).

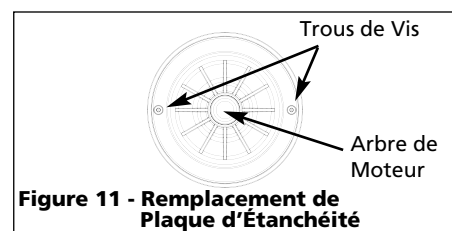


10. Enlever les particules dégagées de l'évasement de la turbine et de la plaque d'étanchéité.

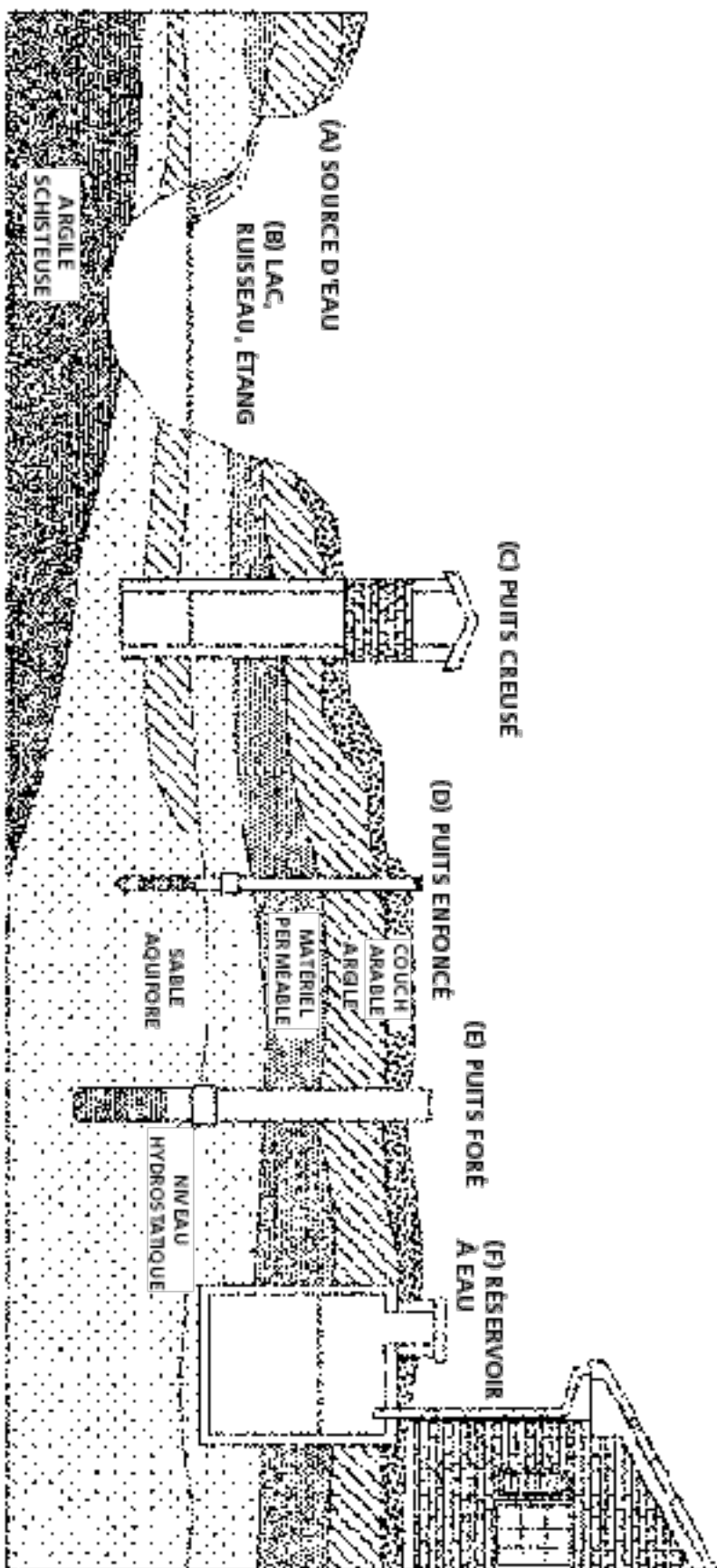
INSTALLATION D'UN NOUVEAU JOINT D'ARBRE

ATTENTION Bien essuyer les mains avant de manipuler les pièces du joint d'arbre. La saleté peut endommager le joint.

1. Tremper l'intérieur du creux de joint sur la plaque d'étanchéité et la cuvette en caoutchouc autour du siège céramique avec de l'huile pour la cuisine. Prenez soin de ne pas égratigner la surface céramique du siège de joint enveloppé de caoutchouc dans le creux de joint sur la plaque d'étanchéité. Utiliser une rondelle en carton pour protéger la surface polie lorsque vous appuyez sur le siège céramique avec un objet. Enlever la rondelle en carton.
2. Glisser la plaque d'étanchéité soigneusement par dessus l'arbre afin de ne pas bouger la position du joint dans la plaque d'étanchéité. La plaque doit être orientée pendant le montage pour aligner les deux trous sur une ligne horizontale à travers l'arbre de moteur et les (4) chevilles de repérage sur le dos de la plaque avec les attaches sur le carter de moteur (Figure 11). Ce placement assure le vidange et l'amorçage correct.



Sources d'Eau



(A) SOURCE D'EAU:
Eau qui sort de la terre quand l'eau dans les matériaux perméables est pris entre les matériaux imperméables tels que la roche ou l'argile.

(B) LAC, RUISSEAU, ÉTANG:
L'eau de surface est généralement impropre à la consommation humaine sans traitement. Cette eau peut être utilisée pour le lavage ou l'irrigation.

(C) PUITTS CREUSÉ:
Un trou est creusé plusieurs centimètres de diamètre à une distance peu profonde. Le trou est creusé de briques, pierres, ou béton pour empêcher que le trou s'effondre.

(D) PUITTS ENFONCÉ:
Un tuyau avec un tamis pointu est enfoncé dans la terre sous le niveau hydrostatique. La profondeur est généralement moins de 15 m. Les diamètres disponibles sont 2,5 cm à 5,1 cm.

(E) PUITTS FORÉ:
Un trou foré dans la terre avec une machine et creusé d'un tuyau. La gamme de profondeurs est de plusieurs centimètres à 305 m. Les diamètres de puits ordinaires sont 5,1 cm (2"), 7,6 cm (3"), 10,2 cm (4") et 15,2 cm (6") pour les puits domestiques.

(F) RÉSERVOIR À EAU:
Un réservoir souterrain fabriqué pour la collection de pluie des toits. Cette eau est impropre à la consommation humaine.

Figure 13 - Sources d'Eau

Guide De Dépannage

Symptôme	Cause(s) Possible(s)	Mesures Correctives
La pompe ne fonctionne pas	<ol style="list-style-type: none"> Hors Circuit Fusible sauté ou disjoncteur enclenché Manostat en panne Tuyau au manostat obstrué Protecteur de surcharge du moteur enclenché 	<ol style="list-style-type: none"> Mettre la pompe en marche ou contacter la compagnie d'électricité Remplacer le fusible ou réenclencher le disjoncteur Remplacer le manostat Nettoyer ou remplacer le tuyau en cuivre Laisser refroidir. L'appareil de surcharge se rajustera automatiquement
Moteur ronron mais ne fonctionne pas	<ol style="list-style-type: none"> Tension de ligne trop basse Fils trop petits Grippage des pièces rotatives causé par le dommage ou mauvais alignement 	<ol style="list-style-type: none"> Installer les fils de nouveau. Voir Tableau 3* Installer les fils de nouveau. Voir Tableau 3* Remplacer ou le laisser à un centre de service pour la réparation
Déclenchement du surcharge	<ol style="list-style-type: none"> Tension de ligne incorrecte Grippage des pièces rotatives causé par le dommage ou mauvais alignement Température des alentours trop élevée Fonctionnement trop rapide 	<ol style="list-style-type: none"> Installer les fils de nouveau. Voir Tableau 3* Le laisser à un atelier de réparations de moteur ou rechercher et réparer la reliure mécanique Situer la pompe dans un endroit bien ventilé à l'ombre Se référer à la section "Pompe s'arrête et se met en marche trop souvent"
La pompe fonctionne mais délivre peu ou pas d'eau	<ol style="list-style-type: none"> Niveau d'eau sous le niveau d'admission de la pompe Soupape de contrôle trop ouverte (puits profond) Décharge non ventilé pendant l'amorçage Fuite dans la tuyauterie sur le bord de puits de la pompe Écran de puits ou filtre d'admission obstrué Buse obstruée (puits profond) Rupture du diaphragme de contrôle de volume d'air Clapet de pied obstrué ou grippé Pompe pas complètement amorçée Soupape de contrôle fermée (puits profond) Niveau d'eau sous la spécification à hauteur d'aspiration maximum Tuyauterie trop petite Puits gazeux Venturi déformé Jet incorrect pour l'application Pompe trop petite Cavitation de la pompe, bruit comme le pompage de gravier 	<ol style="list-style-type: none"> Baisser le tuyau d'aspiration plus loin dans le puits Répéter l'amorçage Ouvrir le robinet, répéter l'amorçage Réparer la tuyauterie au besoin Nettoyer et remplacer au besoin Tirer le jet et enlever l'obstruction Réparer ou remplacer le contrôle de volume d'air Nettoyer ou remplacer au besoin Continuer avec l'amorçage. Arrêter chaque 5 minutes pour laisser refroidir le corps de la pompe. Remplir la pompe de nouveau au besoin Régler la soupape de contrôle pour la méthode d'amorçage pour puits profond Choisissez la pompe et/ou le montage de jet convenable Remplacer au besoin Installer un déflecteur sur l'arrivée de la pompe afin d'empêcher que le gaz entre le système Inspecter et remplacer Achetez un jet convenable à votre système lors du remplacement d'une autre marque de pompe Augmenter le horse power de la pompe Augmenter le diamètre de la tuyauterie d'aspiration ou diminuer le frottement de tuyau
La pompe s'arrête et se met en marche trop souvent	<ol style="list-style-type: none"> Réservoir saturé d'eau (réservoir traditionnel) Tuyau de contrôle de volume d'air tortillé ou obstrué Tuyau de contrôle de volume d'air branché à la mauvaise ouverture sur la pompe Réservoir incorrect chargé (réservoir chargé d'avance) Rupture du diaphragme/vessie (réservoir chargé d'avance) Fuite dans la tuyauterie de maison Clapet de pied ou clapet grippé dans la position ouverte Déclenchement de surcharge du moteur Réglage incorrect du manostat 	<ol style="list-style-type: none"> Remplacer le réservoir ou le contrôle de volume d'air Nettoyer ou remplacer au besoin Changer à l'ouverture de pompe correcte Ajouter ou dissiper l'air au besoin Remplacer le réservoir Rechercher et réparer la fuite Enlever et remplacer Voir la section de déclenchement de surcharge Régler de nouveau ou remplacer le manostat

* L'installation de fils à nouveau et les réparations de moteur devraient être effectués par des professionnels certifiés ou diplômés

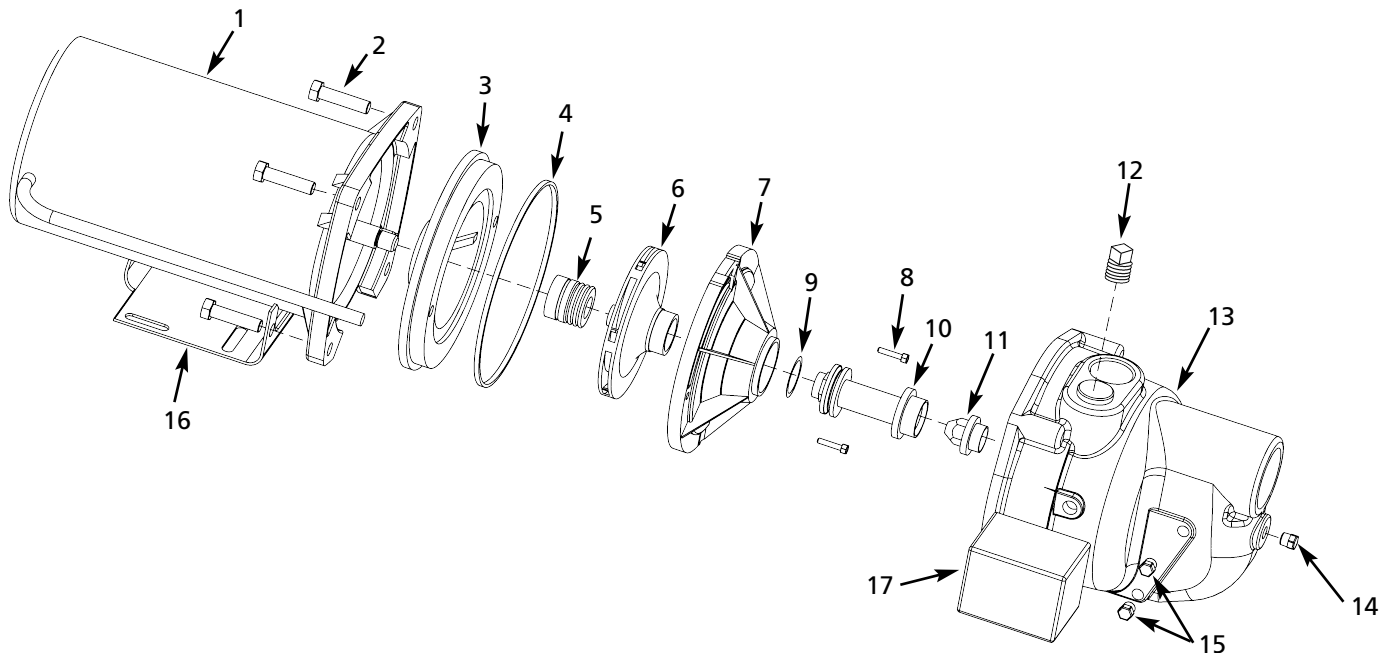
Pour Pièces de Rechange, appeler 1-800-237-0987

S'il vous plaît fournir l'information suivante:

- Numéro de modèle
- Numéro de série (si applicable)
- Description et numéro de la pièce

Correspondance:

Wayne Water Systems
 101 Production Drive
 Harrison, OH 45030 U.S.A.



N° de Réf..	Description	Numéros de Pièces pour Modèles			Qté
		SWS50-1/2 HP	SWS75-3/4 HP	SWS100-1 HP	
1	Moteur	32059-001	34142-001	34142-001	1
2	Vis	16636-002	16636-002	16636-002	4
3	Plaque d'étanchéité	4372-001	4372-001	4372-001	1
4	• Joint d'étanchéité carré en caoutchouc	17150-001	17150-001	17150-001	1
5	• Montage de joint d'arbre	56393	56393	56393	1
6	Turbine	23285-021	23285-022	23285-022	1
7	Diffuseur	17148-021	17148-021	17148-021	1
8	Vis	67007-001	67007-001	67007-001	2
9	• Joit torique	15557	15557	15557	1
10	Venturi	17151-002	17151-003	17151-004	1
11	Buse	15672	15672	15672	1
12	Bouchon mâle - 3/4 po	15921	15921	15921	1
13	Volute	56869-001	56869-001	56869-001	1
14	Bouchon male - 1/4 po NPT	16314-002	16314-002	16314-002	1
15	Bouchon male - 1/8 po NPT	15766-002	15766-002	15766-002	1
17	Base	23029-021	23029-021	23029-021	1
19	Manostat	30010-021	30010-021	30010-021	1
•	Necessaire de réparation (Compris #4, 5 et 9)	56874-001	56874-001	56874-001	1

Garantie Limitée

Pendant trois ans à compter de la date d'achat, Wayne Water Systems ("Wayne") va réparer ou remplacer, à sa discrétion, pour l'acheteur original toute pièce ou pièces du Kit D'Étang, de ces Pompes De Puisard ou Pompes À Eau ("Produit") déterminées défectueuses, par Wayne, soit pour les matériaux ou la fabrication. Veuillez appeler Wayne (800-237-0987) pour des instructions ou contacter votre marchand. S'assurer d'avoir, à sa disposition, le numéro du modèle afin d'effectuer cette garantie. Les frais de transport des Produits ou pièces soumis pour leur réparation ou leur remplacement sont la responsabilité de l'acheteur.

Cette Garantie Limitée ne couvre pas les Produits qui se sont fait endommagés suite à un accident, une utilisation abusive, un mauvais usage, de la négligence, une mauvaise installation, un mauvais entretien, ou une utilisation non conforme aux instructions écrites de Wayne

IL N'EXISTE AUCUNE AUTRE GARANTIE OU DÉCLARATION. LES GARANTIES EXPRESSES, Y COMPRIS CELLES DE COMMERCIALISABILITÉ ET D'ADAPTATION À UNE FONCTION PARTICULIÈRE, SONT LIMITÉES À TROIS ANS À COMPTER DE LA DATE D'ACHAT. CECI EST LE SEUL RECOURS EXCLUSIF ET TOUTE AUTRE RESPONSABILITÉ POUR TOUT AUTRE DOMMAGE QUELCONQUE INDIRECT OU DÉPENSES QUELCONQUES SONT EXCLUS.

Certaines Provinces n'autorisent pas de limites de durée pour les garanties implicites, ni l'exclusion ni la limite des dommages fortuits ou indirects. Les limites précédentes peuvent donc ne pas s'appliquer. Cette garantie limitée donne à l'acheteur, des droits légaux précis, et vous pouvez avoir d'autres droits légaux qui varient d'une Province ou d'un État à l'autre.

En aucun cas, soit par suite d'une rupture de contrat de garantie, acte dommageable (y compris la négligence) ou autrement, ni Wayne ni ses fournisseurs ne seront tenus responsables pour aucun dommage spécial, indirect ou pénal, y compris, mais sans s'y limiter la perte de profits ou recettes, la perte d'usage des produits ou n'importe quel équipement associé, dommage à l'équipement associé, coût de capital, coût de produits remplaçants, aménagements, services ou capacité de remplacement, coût de temps que le produit n'est pas en service, ou réclamation des clients de l'acheteur pour ces dommages.

Vous **DEVEZ** garder votre reçu d'achat avec ce bulletin. Il est **NÉCESSAIRE** d'envoyer une **copie** du reçu d'achat avec le produit ou la correspondance afin d'effectuer une réclamation sous la garantie. Veuillez appeler Wayne (800-237-0987) pour l'autorisation et les instructions concernant le renvoi.

NE PAS ENVOYER, PAR LA POSTE, CE BULLETIN À WAYNE. Utiliser ce bulletin seulement pour vos archives.

N° DU MODÈLE _____ N° DE SÉRIE _____ DATE D'INSTALLATION _____
FIXER VOTRE FACTURE ICI

Sírvase leer y conservar estas instrucciones. Léalas con cuidado antes de intentar armar, instalar, operar o efectuar mantenimiento al producto descrito. Protéjase a sí mismo y a los demás observando la información de seguridad. El no cumplir con estas instrucciones podría provocar lesiones personales y/o daños materiales. Conserve estas instrucciones para futura referencia.



Sistemas de Agua Con Bomba de Chorro

Descripción

Las bombas de chorro para pozos poco profundos son bombas de agua de una sola etapa para uso doméstico y diseñadas para bomear agua potable en aplicaciones, en las culas, el agua está a menos de 6,62 m (25 pies) de la bomba en sentido vertical. Las bombas para pozos profundos incluyen un interruptor que funciona con la presión como característica estándar. Las bombas para pozos poco profundos se pueden montar en tanques precargados, convencionales o independientes a presión.

Para Desempacar

Al desempacar este producto, revíselo con cuidado para cerciorarse de que este en perfecto estado. Igualmente, cerciorese de apretar todos los pernos, tuercas y conexiones antes de usarlo.

Medidas de Seguridad

Este manual contiene información que es muy importante que sepa y comprenda. Esta información se la suministramos como medida de SEGURIDAD y para EVITAR PROBLEMAS CON EL EQUIPO.

PELIGRO Esto le indica que hay una situación inmediata que le ocasionaría la muerte o heridas de gravedad.

ADVERTENCIA Esto le indica que hay una situación que podría ocasionarle la muerte o heridas de gravedad.

PRECAUCION Esto le indica que hay una situación que podría ocasionarle heridas no muy graves.

AVISO Esto le indica una información importante, que de no seguirla, le podría ocasionar daños al equipo.

Informaciones Generales de Seguridad

1. Lea con atención el manual de instrucciones incluido con este producto. Familiarícese bien con los controles y el uso adecuado del equipo.
2. Conozca las aplicaciones, las limitaciones y los posibles peligros de la bomba.

ADVERTENCIA *Instale siempre una válvula de alivio de la presión para que la presión del sistema y el flujo máximo correspondan con los que debe tener el sistema.*

ADVERTENCIA *No use la bomba para líquidos inflamables ni explosivos como gasolina, aceite, querosén, etc. No la use en ambientes explosivos. La bomba sólo se debe usar con líquidos que sean compatibles con los materiales de que están hechas las piezas de la bomba. El no cumplir con estas advertencias puede provocar lesiones personales y/o daños materiales.*

ADVERTENCIA *Desconecte la corriente eléctrica y libere toda la presión del sistema antes de intentar instalar, darle servicio, mantenimiento o cambiarlo de lugar. Trabe el desconector de corriente en la posición de abierto, y rotúlelo para evitar una aplicación inesperada de corriente.*

ADVERTENCIA *Instale una malla alrededor de la tubería de entrada para evitar que queden atrapados los bañistas.*

3. Antes de darle servicio, drene todos los líquidos del sistema.
 4. Mantenga sujeta la tubería de descarga antes de hacer funcionar la bomba. Una tubería de descarga que no esté sujeta golpeará y es posible que cause lesiones personales y/o daños materiales.
 5. Antes de cada uso, inspeccione las mangueras para cerciorarse de que no estén débiles ni gastadas.
6. Inspeccione periódicamente la bomba y los componentes del sistema. Lleve a cabo el mantenimiento de rutina según sea necesario (Vea Mantenimiento).
 7. **Seguridad personal:**
 - a. Use anteojos de seguridad todo el tiempo que trabaje con la bomba.
 - b. Mantenga la zona de trabajo despejada, limpia y con la iluminación adecuada, guarde todas las herramientas y el equipo que no se hayan usado.
 - c. Mantenga a los visitantes a una distancia segura de la zona de trabajo.
 - d. Haga que el taller sea a "prueba de niños," use candados, interruptores maestros y retire las llaves de arranque.
 8. No bombee químicos ni líquidos corrosivos. El bombear ese tipo de líquidos acorta la vida de los sellos de las bombas y las piezas móviles e invalidará la garantía.
 9. Cuando instale la bomba, cubra el pozo para evitar que caigan dentro materiales extraños y contaminen el agua y dañen los componentes mecánicos internos de la bomba.
 10. Antes de usar el agua, haga siempre controles de pureza. Pregunte en el departamento de salud local sobre el procedimiento para los controles.
 11. El sistema completo de la bomba y la tubería DEBE estar protegido contra temperaturas por debajo del punto de congelamiento. Las temperaturas de congelamiento pueden causar daños serios e invalidar la garantía.
 12. No haga funcionar la bomba en seco, si lo hace, se puede dañar.

RECORDATORIO: ¡Guarde su comprobante de compra con fecha para fines de la garantía!
Adjúntela a este manual o archívela en lugar seguro.

Informaciones Generales de Seguridad

(Continuación)

ADVERTENCIA Existe riesgo de un choque eléctrico. Está bomba está diseñada únicamente para ser instalada en interiores.

ADVERTENCIA Todas las conexiones eléctricas las debe hacer un electricista certificado o con licencia.

13. Para máxima seguridad, la unidad se debe conectar a un circuito con conexión a tierra que tenga un dispositivo de interrupción para cuando falle la conexión a tierra.
14. Antes de instalar la bomba, haga que un electricista certificado o con licencia verifique el tomacorriente para comprobar que tenga una conexión a tierra adecuada.
15. Asegúrese de que las conexiones eléctricas del motor sean adecuadas para el voltaje y la frecuencia de la línea de suministro eléctrico.
16. No intente reparar el motor eléctrico. Todas las reparaciones del motor deben hacerse en un taller certificado o con licencia para reparar motores eléctricos.

ADVERTENCIA No toque un motor en funcionamiento. Los motores modernos están diseñados para trabajar a altas temperaturas.

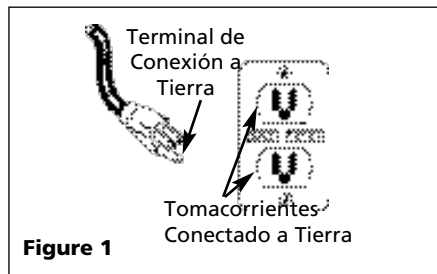
17. Evite doblar el cordón de electricidad y protéjalo de objetos cortantes, superficies calientes, aceite y químicos. Reemplace o repare los cordones dañados o gastados de inmediato.

ADVERTENCIA Desconecte la corriente eléctrica y libere toda la presión del sistema antes de intentar instalar, darle servicio, mantenimiento o cambiarlo de lugar. Trabe el desconector de corriente en la posición de abierto, y rotúlelo para evitar una aplicación inesperada de corriente.

18. Mantenga los dedos y los objetos extraños alejados de la ventilación y otras aberturas. No inserte ningún objeto en el motor.

ADVERTENCIA Existe riesgo de un choque eléctrico! Nunca conecte el alambre verde (o el verde y amarillo) a un terminal con corriente.

19. Para reducir el riesgo de choque eléctrico, la bomba se debe enchufar directamente en un tomacorriente para tres patillas debidamente instalado y conectado a tierra, como se muestra en la Figura 1. El conductor verde (o verde y amarillo) del cordón es el alambre a tierra. Para la protección contra el choque eléctrico, el motor debe estar conectado a tierra en forma segura y adecuada.



20. Cuando se encuentre un tomacorriente para dos patillas se debe reemplazar con uno para tres patillas de acuerdo con el Código Nacional de Electricidad de EUA y los códigos y ordenanzas locales. Para estar seguro de que la conexión a tierra sea adecuada, la debe probar un electricista certificado o con licencia.
21. Use solamente cordones de extensión de tres alambres que tengan un enchufe de tres puntas y tomacorriente un que acepte el enchufe del equipo.
22. Use alambres del tamaño adecuado para reducir al mínimo la caída de voltaje en el motor.

PELIGRO No manipule la bomba ni su motor con las manos mojadas, ni cuando esté parado en superficies húmedas, mojadas o en el agua. Puede ocurrir un choque eléctrico fatal.

ADVERTENCIA El motor de la bomba está equipado con un protector automático termal de recalibración por lo que puede volver a funcionar en forma inesperada. Cuando el protector hace la desconexión, esto es una indicación de que el motor está sobrecargado porque la bomba está funcionando a niveles bajos (restricción de descarga baja), el voltaje es excesivamente bajo o alto, el cableado es inadecuado, las conexiones del motor no son las correctas o el motor o la bomba tiene defectos.

Pre-Instalación

FUENTES DE SUMINISTRO DE AGUA

Las posibles fuentes de suministro de agua se ilustran en la Figura 16. Se pueden clasificar en dos categorías:

AGUAS DE SUPERFICIE

Agua de un lago, arroyo, laguna o cisterna. Esta agua habitualmente no es adecuada para consumo humano, pero podría usarse para lavar, irrigar u otros usos domésticos.

AGUAS SUBTERRÁNEAS

El agua que se encuentra en los diversos estratos por debajo de la superficie. De toda el agua dulce que se encuentra en la tierra, solamente el 3% está en la superficie y el 97% es subterránea.

TANQUES - ALMACENAMIENTO CONVENCIONAL

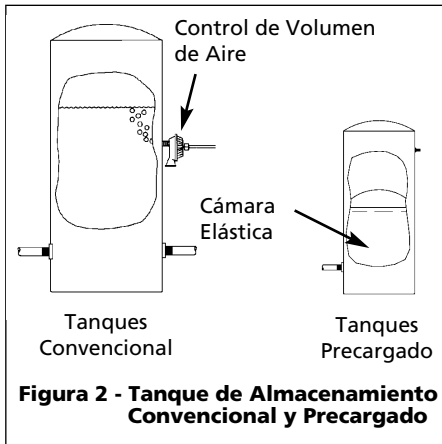
El objeto de un tanque es almacenar una cantidad de agua bajo presión. Cuando está lleno, el tanque contiene aproximadamente 2/3 de agua y 1/3 de aire comprimido. El aire comprimido fuerza el agua a salir del tanque cuando se abre un grifo. Un control del volumen de aire reemplaza automáticamente el aire perdido o absorbido por el agua. La cantidad de agua utilizable o la capacidad de

TABLA 1 - ENSAMBLADOS DE

	Tipo	Se Necesita Control del Volume de Aire
Pozo X	Precargado	No
PCA	Precargado	No
12P & 30P Horizontal	Convencional	Sí
FX Horizontal	Precargado	No

Pre-Instalación (Continuación)

vaciado es aproximadamente 1/6 del volumen total del tanque cuando se hace funcionar a una presión de "1,38 - 2,76 bar" (Figure 2).



TANQUES - ALMACENAMIENTO PRECARGADO

Un tanque de almacenamiento precargado tiene una cámara elástica o un diafragma flexible que funciona como una barrera entre el aire comprimido y el agua. Esta barrera evita que el aire sea absorbido por el agua y permite que el agua reciba el efecto del aire comprimido a una presión inicialmente más alta que la presión atmosférica (precargado). Este tipo de tanque proporciona más agua que los tanques convencionales. Por ejemplo, un tanque precargado de 75,7 L (20 galones) rendirá la misma cantidad de agua utilizable o capacidad de vaciado que un tanque convencional de 151,4 L (40 galones), con la ventaja de que el tanque es más pequeño. (Figura 2).

PRESOSTATO

El interruptor que funciona con la presión permite la operación automática. La bomba comienza a

funcionar cuando la presión baja al nivel límite establecido para funcionar y dejará de hacerlo cuando la presión llegue al nivel límite establecido para apagarse.

PAQUETES DE SISTEMAS

Hay cuatro ensamblados de bomba y tanque que se venden como paquetes (Tabla 1).

POZOS

Un pozo nuevo debe bombearse para que quede sin arena antes de instalar la bomba. La arena dañará las piezas y los sellos de la bomba. El nivel más bajo del pozo no debe exceder la profundidad máxima permitida para la bomba. Esto haría que se reduzca la capacidad de la bomba y se podría perder el cebado.

Instalación

UBICACIÓN

Escoja una ubicación lo más cercana posible a la fuente de suministro de agua.

Asegúrese de cumplir con los códigos estatales o locales sobre ubicación de bombas. El equipo debe protegerse de la intemperie. Una buena ubicación es un sótano o una casita de bombeo calentada. Cerciórese de que la bomba tenga una ventilación adecuada. La temperatura alrededor de la bomba no debe exceder de 40° C (100°) ya que podrían ocurrir desconexiones molestas del motor por estar sobrecargado.

TUBERÍA

La tubería puede ser de cobre, acero, PVC plástico rígido o polietileno plástico flexible.

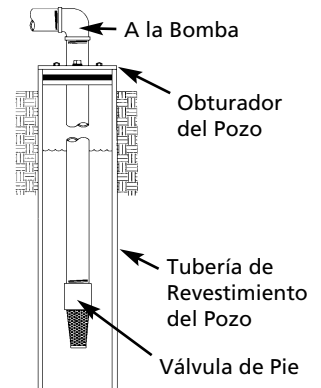


Ilustración A

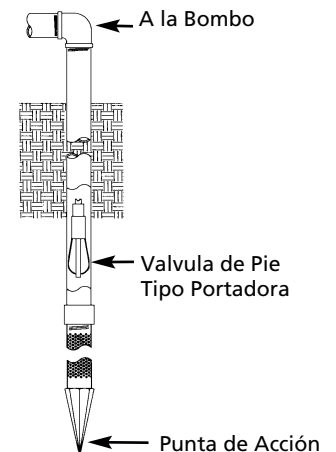


Ilustración B

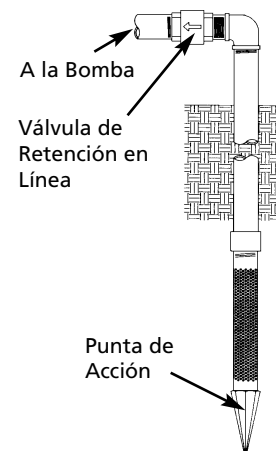


Ilustración C

TABLA 2 - TAMAÑO DE LOS TUBOS

Modelo de Bomba	Abertura de la Bomba	Distancia Horizontal (Metres)		
		0-7,62	7,93-30,5	7,93-91,4
Pozo Profundo	Inlet	3,18 cm	3,81 cm	5,08 cm
	Outlet	19,1 mm	2,54 cm	3,18 cm

Figura 3

Instalación (Continuación)

PRECAUCIÓN No se recomienda tubería flexible para el tubo de succión (tubo de entrada).

Los tubos deben estar limpios y no estar oxidados ni con descamaciones. Utilice un compuesto para conexiones de tubería en el roscado macho de los tubos de metal. Para los roscados de plástico se debe usar una cinta de Teflon®. Todas las conexiones deben estar herméticas para asegurar un funcionamiento normal.

Incline todas las tuberías de entrada hacia arriba en dirección a la bomba para evitar que quede aire atrapado. Se pueden instalar uniones o conectores de manguera cerca de la bomba para que sea fácil sacarlas cuando se necesite dar servicio o almacenarlas. Una manguera de caucho instalada entre el sistema de agua y la tubería de la casa reducirá el ruido que se transmite a la casa.

TAMANOS DE LOS TUBOS

Los tendidos largos de la tubería horizontal y el uso de numerosos adaptadores y conectores disminuyen la presión de agua debido a la pérdida por fricción. Vea la tabla 2 para determinar el tamaño adecuado de tubo.

INSTALACIÓN EN POZOS POCO PROFUNDOS

Se puede usar una bomba para pozos poco profundos cuando esta ubicada dentro de los 25 pies en sentido vertical del nivel de agua. Las bombas para pozos poco profundos tienen un solo tubo entre la bomba y la fuente de suministro de agua.

POZO PERFORADO (FIGURA 12)

1. Instale una válvula de aspiración en la primera sección del tubo (Figura 3, Ilustración A).
2. Baje el tubo dentro del pozo.
3. Aumente la tubería hasta que la válvula de aspiración este a 1,5 m (5 pies) por debajo del nivel de agua más bajo que se anticipa.

PRECAUCIÓN La válvula de aspiración debe estar por lo menos a 45 cm (18 pulg.) del fondo del pozo de no ser así, podría aspirar arena o sedimento dentro del sistema.

4. Después que se haya alcanzado la profundidad adecuada, instale un sellado del pozo o un adaptador para sostener la tubería y evitar que el agua de la superficie y otros contaminantes entren al pozo.
5. Incline el tubo horizontal hacia arriba en dirección a la bomba para evitar que quede aire atrapado. La inclinación del tubo también ayuda a cebar la bomba.

POZO ACCIONADO (FIGURA 12)

1. Lleve la punta a varios pies por debajo del nivel del agua subterránea.

NOTA: Se puede instalar en el pozo una válvula de aspiración de tipo tampón (Figura 3, Ilustración B). Este tipo de válvula de aspiración permite que el pozo se llene con agua cuando se está cebando y permite verificar con mayor facilidad si hay escapes en la tubería de ingreso. Cuando instale la válvula de aspiración de tipo tampón siga las instrucciones del fabricante.

Como alternativa, se puede usar una válvula unidireccional en la tubería de un pozo excavado (Figura 3, Ilustración C). La tubería entre la válvula unidireccional y el nivel de agua estará siempre bajo un vacío.

Las uniones o conexiones con fugas dejan que entre aire en la tubería y dan lugar a que la bomba no funcione bien. Asegúrese de usar un compuesto para uniones de tubería en todos los roscados machos de los tubos.

INSTALACIÓN DEL POZO EXCAVADO, CISTERNA, LAGO Y MANANTIAL (FIGURA 12)

1. Instale una válvula de aspiración en la tubería de entrada y bájela dentro del agua.

PRECAUCIÓN La válvula de aspiración debe estar a por lo menos 45 cm (18") del fondo del pozo de no ser así se podría aspirar arena o sedimento dentro del sistema.

NOTA: Cuando se usa un lago como fuente de suministro de agua, asegúrese que la tubería de entrada

tenga la suficiente profundidad para que esté siempre sumergida. Proteja la tubería para que no la dañen los bañistas ni los botes.

Incline la tubería horizontal hacia arriba en dirección de la bomba para evitar que quede aire atrapado. Se debe sacar la tubería durante los meses de invierno o protegerla para que no se congele.

Proteja la tubería para que no la dañen los bañistas ni los botes.

ADVERTENCIA Instale una malla alrededor de la tubería de entrada para evitar que queden atrapados los bañistas.

BOMBA PARA POZOS POCO PROFUNDOS CON TANQUE DE ALMACENAMIENTO CONVENCIONAL (FIGURAS 4 Y 5)

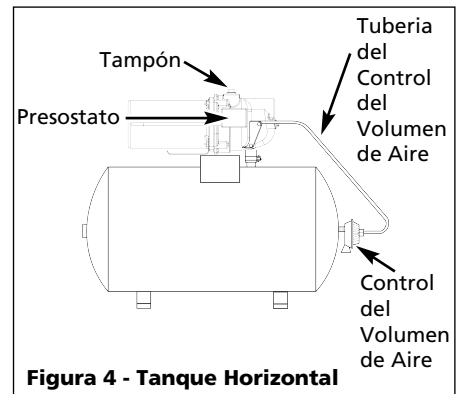


Figura 4 - Tanque Horizontal

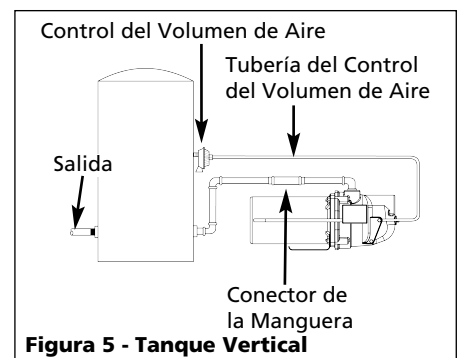


Figura 5 - Tanque Vertical

1. Instale el control del volumen de aire en el tanque.
2. Conecte el tubo de cobre del control del volumen de aire en la abertura NPT de 3,2 mm (1/8") superior al lado de la bomba. Cérchese de que las conexiones estén bien ajustadas. Las fugas pueden evitar que la bomba se ceba.

Instalación (Continuación)

3. Instale una válvula y una manguera de aislamiento entre el tanque y la tubería de la casa para facilitar poder separar la bomba cuando se le dé servicio, y disminuir el ruido transmitido a la casa a través de la tubería.
4. Coloque una manguera de desagüe con llave en el punto más bajo del sistema para poder drenar cuando se vaya a dar servicio o guardar el equipo.

BOMBA PARA POZOS POCO PROFUNDOS CONTANQUE DE ALMACENAMIENTO PRECARGADO (FIGURE 6)

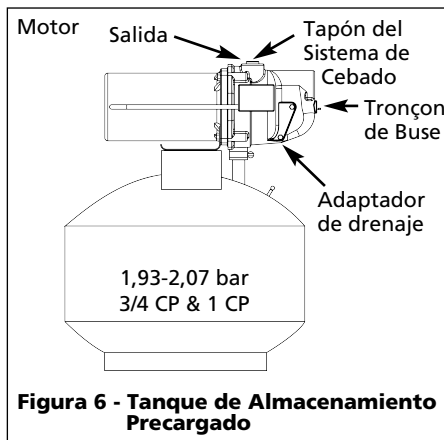


Figura 6 - Tanque de Almacenamiento Precargado

1. Desconecte la corriente eléctrica que va a la bomba.
2. Abra el grifo más cercano y deje que drene toda el agua del tanque.
3. Mida la precarga del tanque en el pitón de la válvula con un medidor de presión para llantas.
4. Si es necesario, precargue con una bomba de aire a una presión entre 1,93-2,07 bar en las bombas de 1/2, 3/4 y 1 CP.
5. Incline los tubes horizontales hacia arriba en dirección de la bomba para evitar que quede aire atrapado. Si la distancia horizontal excede los 7,62 m (25 pies), use tubos de los tamaños que se recomiendan en la Tabla 2.

Eléctricas

ADVERTENCIA Existe riesgo de un choque eléctrico. Esta bomba está diseñada únicamente para ser instalada en interiores.

El voltaje de la fuente de suministro eléctrico debe ser similar al de la bomba.

Todas las bombas para pozo de instalación sobre superficie, excepto la SWS50BOOST, tienen motores de doble voltaje preconfigurados en la fábrica a 230 voltios. Para conectarlas a circuitos de 115 voltios simplemente gire la perilla al voltaje deseado (Vea la Figura 6). Use una pinza (alicate) de punta afilada para halar la perilla aproximadamente un 6,4 mm (1/4"), gírela y colóquela en su posición correcta.

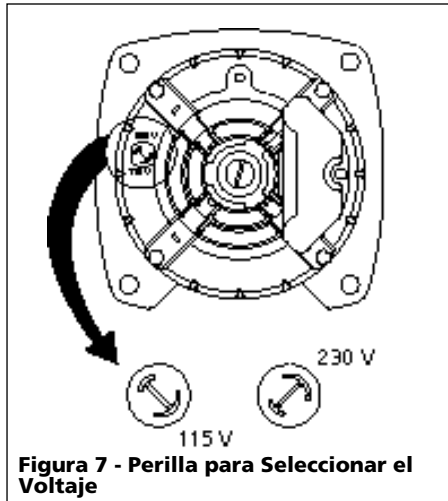


Figura 7 - Perilla para Seleccionar el Voltaje

Seleccione los alambres y el fusible del tamaño adecuado (Tabla 3). Para la protección del circuito del motor, se recomiendan los fusibles que interrumpen por un tiempo en vez de los fusibles convencionales. Todos los motores de bomba tienen incorporada una protección automática contra sobrecargas que evitará que se dañe el motor debido a sobrecalentamiento.

ADVERTENCIA No haga la conexión a la fuente de suministro eléctrico hasta que la unidad esté conectada a tierra en forma permanente. Conecte el alambre a tierra a una conexión a tierra aprobada y

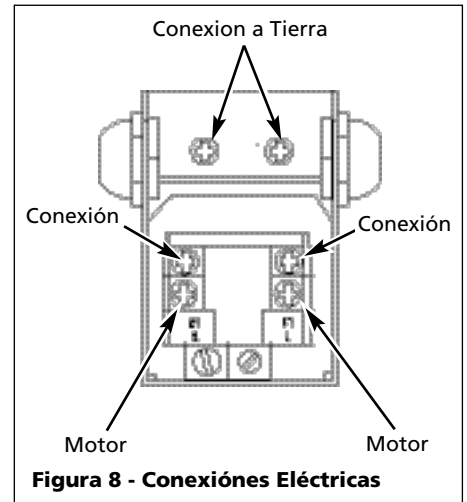


Figura 8 - Conexiones Eléctricas

luego conecte el terminal que se suministra.

Una tubería subterránea para agua y una armazón de pozo de por lo menos 3 m (10 pies) largo sons los mejores electrodos de tierra. Si se usa tubería de plástico o adaptadores con aislamiento, pase un alambre directamente a la armazón metálica del pozo o use un electrodo de tierra proporcionado por la compañía de servicio eléctrico.

La unidad sólo tiene un terminal adecuado para conexión a tierra que está localizado debajo de la cubierta del interruptor a presión, está pintado de verde y se identifica como GRD. La conexión a tierra se debe hacer desde este terminal (Figura 8). El conductor a tierra no debe ser más pequeño que los conductores de circuito que vienen con el motor.

ADVERTENCIA Desconecte el suministro eléctrico y libere toda la presión del sistema antes de intentar instalar, dar servicio, reubicar o llevar a cabo cualquier mantenimiento.

TABLA 3 - DATOS DE LOS FUSIBLES Y ALAMBRES RECOMMENDADOS-MOTORES DE 60 HZ

CP	Voltios	Fusible de Dos Elementos 250V	Distancia en Metros de Medidor a Motor			
			0 To	15,6 To	30,8 To	61,3 To
1/2	115	15	14	14	12	10
	230	10	14	14	14	14
3/4	115	15	14	14	10	8
	230	10	14	14	14	14
1	115	20	12	12	10	8
	230	10	14	14	14	14

Funcionamiento

CEBADO DE LA BOMBA PARA POZOS POCO PROFUNDOS

ADVERTENCIA Para evitar

dañar la bomba, no arranque el motor hasta que la haya llenado con agua.

1. Retire el tapón para cebar (Figura 4 o 5).
2. Llene la bomba y la tubería completamente con agua.
3. Vuelva a colocar el tapón para cebar.
4. Abra el grifo para purgar el sistema.
5. Arranque el motor. El agua empezará a bombearse en pocos minutos. Si la bomba no se ceba en 5 minutos, detenga el motor y vuelva a llenar la bomba con agua. El tiempo necesario para cebar es proporcional a la cantidad de agua en la tubería de ingreso.
6. Deje que el sistema funcione por varios minutos para que se limpien todos los tubos.
7. Cierre el grifo y deje que la bomba desarrolle presión en el tanque. Cuando la presión alcance el límite establecido, el motor se detendrá.

El sistema está ahora en funcionamiento y hará ciclos automáticos según la demanda.

Mantenimiento

ADVERTENCIA Desconecte la corriente eléctrica y libere toda la presión del sistema antes de intentar instalar, darle servicio, mantenimiento o cambiarlo de lugar. Trabe el desconector de corriente en la posición de abierto y rotúlelo para evitar una aplicación inesperada de corriente.

PRECAUCIÓN Proteja la bomba para que no se congele durante los meses de invierno.

DRENAJE DEL BOMBA

Todos los modelos vienen con aberturas para drenar. Para drenar la bomba:

1. Saque el tapón de drenaje y el tapón para cebar a fin de que se vacíe el sistema.
2. Drene todas las tuberías hasta un nivel por debajo de la línea de congelación.

DRENAJE DEL TONQUE

Los tanques convencionales se pueden drenar al abrir una salida en el punto más bajo del sistema. Retire el tapón o el control de volumen del aire para vaciar el tanque.

Los tanques precargados fuerzan prácticamente toda el agua del tanque cuando se libera la presión del sistema. No es necesario drenar.

PARA VOLVER A HACER FUNCIONAR LA BOMBA

Si a la bomba se le ha dad servicio, se la ha drenado o no se la ha usado por algún tiempo, cerciorese de que haya agua en la cubierta en espiral (voluta) y en la tubería del pozo. En todo momento debe haber agua en la cubierta en espiral de la bomba (voluta) cuando este funcionando para evitar danos internos en las piezas de sellado (Vea las secciones sobre cebado de pozos poco profundos o de pozos profundos).

MOVIMIENTO DE AGUA SE HACE

LENTO: CONVENCIONAL

Cuando el sistema de un tanque tiene una relación inadecuada entre aire y agua, la bomba arrancará y se detendrá con frecuencia en forma errática.

1. Desconecte la corriente eléctrica que va a la bomba.
2. Abra el grifo más bajo del sistema para liberar toda el agua presurizada del sistema.
3. Ceebe la bomba (Cebado para pozos poco profundos o pozos profundos).
4. Vuelva a conectar la corriente eléctrica a la bomba.

NOTA: Conforme la bomba vuelve a llenar el tanque con agua, el control de volumen de aire suministra al tanque la relación adecuada de aire y agua para que el sistema funcione. Si el control del volumen de aire está bien, la bomba se parará en el nivel límite que se haya establecido y se ajustará adecuadamente.

MOVIMIENTO DE AGUA SE HACE

LENTO: : PRECARDGADO

Si en un tanque precargdo, el movimiento de agua se hace lento, habitualmente se debe a que la cámara elástica tiene fugas o se ha roto.

1. Pruebe el tanque presionando la válvula de aire. La válvula de aire expelerá agua si la cámara elástica se ha roto.
2. Reemplace el tanque.

NOTA: Si la cámara elástica tiene fugas o se ha roto, no se puede reparar. Hay que reemplazar el tanque.

LUBRICACIÓN

Los cojinetes que se usan en las bombas vienen lubricados de fábrica para una duración permanente y no necesitan lubricación adicional.

PRECARGADO

En todos los tanques se pierde algo de aire a través de la cámara elástica. Para evitar que el tanque falle, examine la precarga una vez al año.

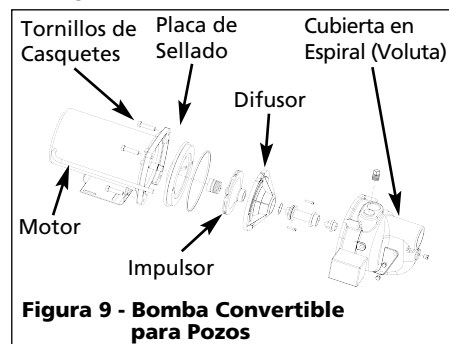
1. Abra el grifo más cercano al tanque y deje que drene toda el agua del tanque.
2. Mida la precarga del tanque en el pitón de la válvula con un medidor de presión para llantas.
3. Si es necesario, ajuste con una bomba de aire la precarga a una presión entre 1,93 y 2,07 bar en bombas de 1/2, 3/4 y 1 CP.

PARA SACAR EL SELLO USADO DEL EJE

PRECAUCIÓN Gire el

interruptor de desconexión a la posición "off."

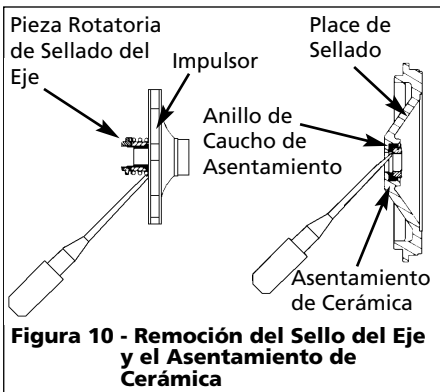
1. Abra el grifo más cercano al tanque y deje que drene toda el agua del tanque.
2. Saque los cuatro pernos que mantienen la cubierta en espiral de la bomba (voluta) unida al motor (Figura 9).



3. Separe la cubierta en espiral de la bomba (voluta) del motor para exponer el difusor y la placa de sellado.
4. Retire los dos pernos y el difusor de la placa de sellado para exponer el impulsor.
5. Saque la tapa pequeña del extremo del motor opuesto al impulsor

Mantenimiento (Continuación)

6. Con un destornillador o una llave graduable, impida que el eje gire y retire el impulsor con la mano (roscado estándar de mano derecha). Cerciérese de guardar la placa de sellado de hierro forjado cuando saque el impulsor del eje.
7. Saque la placa de sellado.
8. Planquee la pieza rotatoria de sellado del eje para que salga del impulsor (Figura 10).



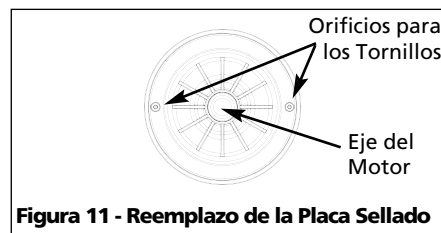
9. Empuje o palanquee el asentamiento de cerámica para separarlo de la placa de sellado (Figura 10).
10. Elimine las partículas sueltas del núcleo del impulsor y la placa de sellado.

INSTALACIÓN DE UN NUEVO SELLO DEL EJE

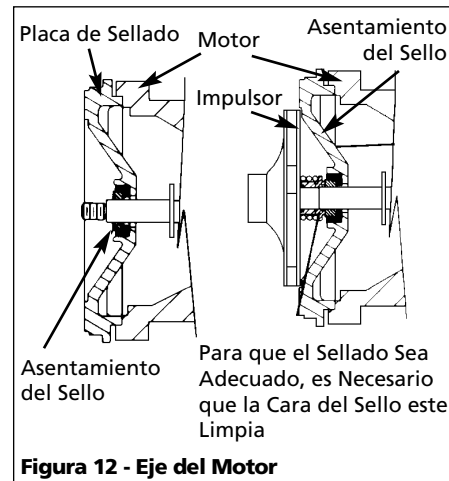
PRECAUCIÓN Antes de manipular las piezas del sello del eje límpiense las manos con un paño. El polvo y la grasa pueden dañar el sello.

1. Humedezca con aceite de cocina, la parte interior de la cavidad del sello en la placa de sellado y los empaques de caucho acopados que rodean el nuevo asentamiento de cerámica. Tenga cuidado de no raspar la superficie de cerámica del asentamiento del sello y empuje el asentamiento incluido en el caucho en la cavidad del sello en la placa de sellado. Use una rondana de cartón para proteger la superficie pulida cuando empuje contra el asentamiento de cerámica con cualquier objeto. Cerciérese de sacar la rondana de cartón.

2. Deslice con cuidado la placa de sellado sobre el eje de modo que no se mueva el sello de su posición en la placa de sellado. Durante el ensamblado, la placa de sellado debe estar orientada de modo que los dos orificios estén en una línea horizontal a través del eje del motor y que las cuatro (4) clavijas de localización de la parte posterior estén alineadas con las lengüetas del armazón del motor (Figura 11). Esta ubicación se debe hacer para asegurar un drenaje y cebado adecuados.



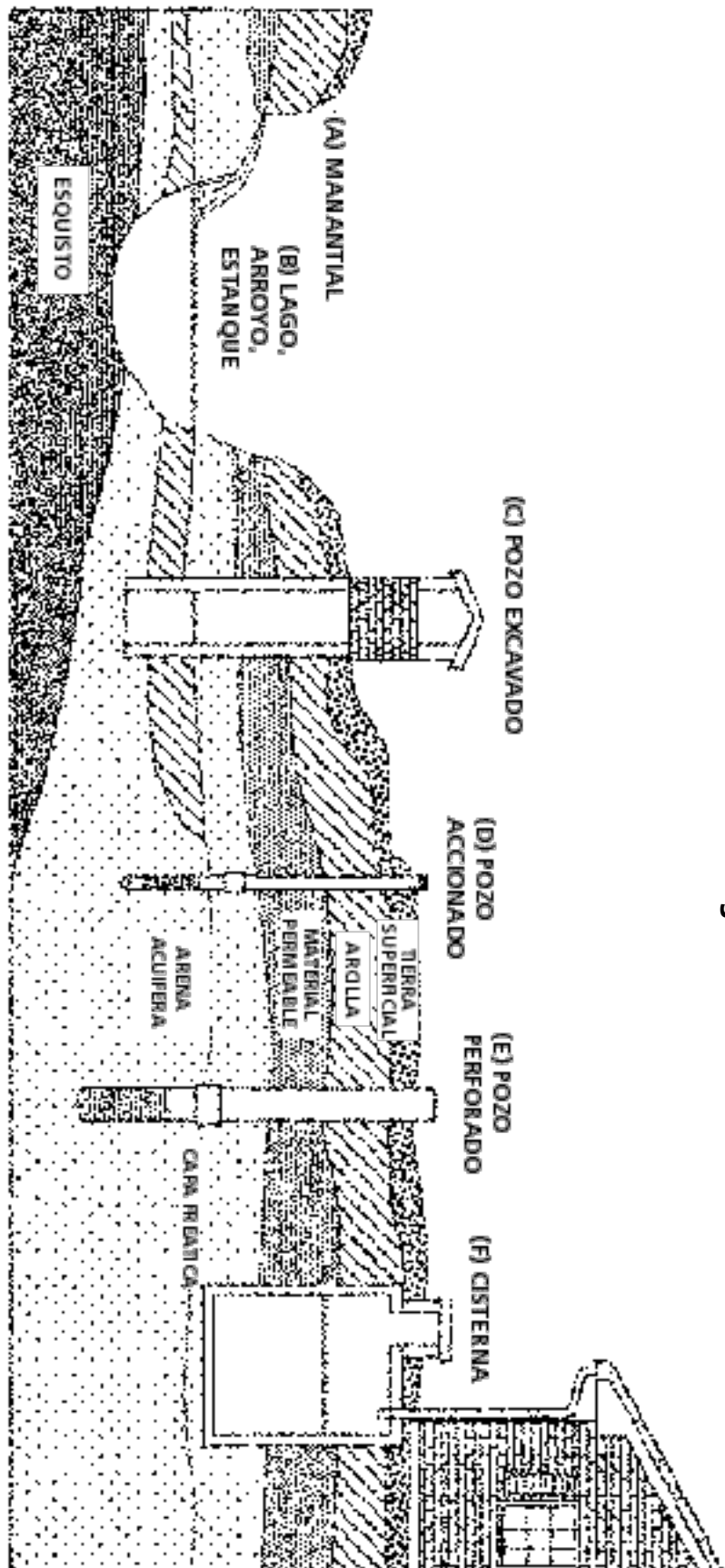
3. Sitúe la pieza rotatoria del sello del eje en el impulsor y presiónela para que quede en su sitio. Tenga cuidado de no presionar contra la superficie pulida del sello.
4. Coloque el impulsor en el eje y ajústelo bien (Figura 12).



5. Sasegure el difusor en la placa de sellado con los dos pernos. Cerciérese de que los pernos estén orientados horizontalmente como se describe en el paso 2.
6. Coloque con cuidado la empaquetadura de la cubierta en espiral (voluta) sobre el difusor en la placa de sellado. En todas las aplicaciones de conversión, el anillo de sellado también debe estar colocado sobre el difusor. En todas las aplicaciones en pozos poco profundos se debe tener cuidado de que los anillos en O (juntas tóricas) estén limpios y colocados adecuadamente sobre el Venturi. La limpieza y la colocación correcta hacen que exista un buen sellado dentro del difusor cuando se ensambla.
7. Acople la cubierta en espiral (voluta) de la bomba al motor con los cuatro pernos. Asegúrese de que la empaquetadura de la cubierta en espiral (voluta) esté bien colocada y ajuste bien los pernos.

NOTA: El eje debe poder girar libremente y la cubierta del extremo del motor debe estar asegurada antes de hacer funcionar la bomba.

Suministros de Agua



- (A) MANANTIAL:**
Un manantial que emerge de la tierra. Ocurre cuando el agua en materiales permeables está atrapada entre materiales impermeables tales como roca o arcilla.
- (B) LAGO, ARROYO o ESTANQUE:**
Agua superficial, que a menos que sea tratada, por lo general no es apta para consumo humano. Puede ser utilizada para fines tales como lavado o irrigación.
- (C) POZO EXCAVADO:**
Se excava un hoyo de varios pies de diámetro hasta una profundidad bastante superficial. Luego se reviste con ladrillo, piedra o concreto para evitar que se derrumbe.
- (D) POZO ACCIONADO:**
Se acciona una tubería con una palanca con punta en la tierra, por debajo de la capa freática. La profundidad por lo general es menor a 15.25 m (50 pies). Los diámetros comunes fluctúan entre 2.5 cm (1") y 5.1 cm (2").
- (E) POZO PERFORADO:**
Un hoyo perforado en la tierra con maquinaria y revestido con tuberías. Las profundidades fluctúan entre algunos pies hasta más de 305 m (1000 pies). Los diámetros comunes son 5.1 cm (2"), 7.6 cm (3"), 10.2 cm (4") y 15.2 cm (6") para pozos de agua de uso doméstico.
- (F) CISTERNA:**
Un tanque subterráneo construido para recolectar agua de lluvias de los techos. El agua no es apta para consumo humano.

Figura 13 - Suministros de Agua

Guía de Diagnóstico de Averías

Problema	Posible(s) Causa(s)	Acción a Tomar
La bomba no funciona	<ol style="list-style-type: none"> 1. No hay energía eléctrica 2. El fusible se ha quemado o el interruptor se ha desconectado 3. Interruptor de presión fallado 4. El tubo del interruptor a presión está obstruido 5. Desconectado por sobrecarga del motor 	<ol style="list-style-type: none"> 1. Encienda la corriente eléctrica o llame a la compañía de suministro eléctrico 2. Cambie el fusible o vuelva a conectar el interruptor de circuito 3. Cambie el interruptor 4. Limpie o reemplace la tubería de cobre 5. Deje que se enfríe. La sobrecarga se recalibrará automáticamente
El motor suena pero no funciona	<ol style="list-style-type: none"> 1. Bajo voltaje en la línea 2. El cableado es demasiado pequeño 3. Los daños o la falta de alineamiento dan lugar que las piezas rotatorias se peguen 	<ol style="list-style-type: none"> 1. Haga un nuevo cableado. Ver la Table 3* 2. Haga un nuevo cableado. Ver la Table 3* 3. Reemplácelas o llévelas a un taller de servicio para reparaciones
Desconexión por sobrecarga	<ol style="list-style-type: none"> 1. Voltaje incorrecto en la línea 2. Los daños o la falta de alineamiento dan lugar que las piezas rotatorias se peguen 3. Alta temperatura en los alrededores 4. Ciclos rápidos 	<ol style="list-style-type: none"> 1. Haga un nuevo cableado. Ver la Table 3* 2. Lleve el motor a un taller de reparaciones o localice donde se pegan las piezas y haga las reparaciones 3. Coloque la bomba en una zona sombreada y bien ventilada 4. Vea la sección sobre bombas que funcionan y se detienen con demasiada frecuencia
La bomba funciona pero no agua o provee muy poca cantidad	<ol style="list-style-type: none"> 1. El nivel de agua está por debajo de la toma de la bomba 2. La válvula de control está demasiado abierta (pozos profundos) 3. Al cebar no se purgó la descarga 4. Hay fuga en la tubería en el lado del pozo donde está la bomba 5. Está obstruida la malla de la bomba o el colador de aspiración de entrada 6. Boquilla obstruida (pozos profundos) 7. Se ha roto el diafragma del control del volumen de aire 8. La válvula de aspiración puede estar obstruida o atascada en la posición de cerrada 9. La bomba no se ha cebado completamente 10. La válvula de control está completamente cerrada (pozos profundos) 11. Nivel de agua por debajo de lo requerido para aspirar 12. Tubería de tamaño menor que el requerido 13. Pozo gaseoso 14. Venturi distorsionado 15. Eyector de chorro inadecuado para la aplicación 16. Bomba de tamaño muy pequeño 17. La bomba forma vacíos parciales, suena como si estuviera bombeando cascajo 	<ol style="list-style-type: none"> 1. Baje más el tubo de succión dentro del pozo 2. Repita el procedimiento para cobar 3. Abra el grifo y vuelva a cebar 4. Repare la tubería según sea necesario 5. Limpie o reemplácela según sea necesario 6. Jale el eyector de chorro y limpie la obstrucción 7. Repare o cambie el control del volumen de aire 8. Limpie o reemplácela según sea necesario 9. Continúe cebando, haga una pausa cada 5 minutos para que se enfríe el armazón de la bomba. Vuelva a llenar la bomba según sea necesario 10. Ajuste la válvula de control según el procedimiento para cebar los pozos profundos 11. Seleccione el ensamblado de la bomba y/o del eyector de chorro que correspondan 12. Reemplace según sea necesario 13. Instale un deflector en la entrada a la bomba para evitar que los gases entren al sistema 14. Inspecciónelo y reemplácelo 15. Adquiera un eyector de chorro que encaje en su sistema cuando esté reemplazando una bomba de otra marca 16. Aumente el caballaje de la bomba 17. Aumente el diámetro de la tubería de succión o disminuya la fricción en la tubería
La bomba se prende y apaga continuamente	<ol style="list-style-type: none"> 1. Tanque inundado (Convencional) 2. La tubería del control del volumen de aire está doblada u obstruida 3. Control de volumen de aire conectado a la salida incorrecta de la bomba 4. Precarga de tanque incorrecta (Tanque precargado) 5. Diafragma o bolsa rota (Tanque precargado) 6. Fuga en la tubería de la casa 7. Válvula de pie o válvula de retención atascada en posición abierta 8. El motor se desconecta por sobrecarga 9. Interruptor de presión incorrectamente ajustado 	<ol style="list-style-type: none"> 1. Cambie el tanque o el control del volumen de aire 2. Límpiela o reemplácela según sea necesario 3. Mueva a la apertura correcta de la bomba 4. Agregue o quite aire cuanto sea necesario 5. Cambie el tanque 6. Localice y repare la fuga 7. Retire y reemplace 8. Vea la sección sobre desconexiones por sobrecarga 9. Reajuste o cambie el interruptor

* Todas las conexiones eléctricas las debe hacer un electricista certificado o con licencia

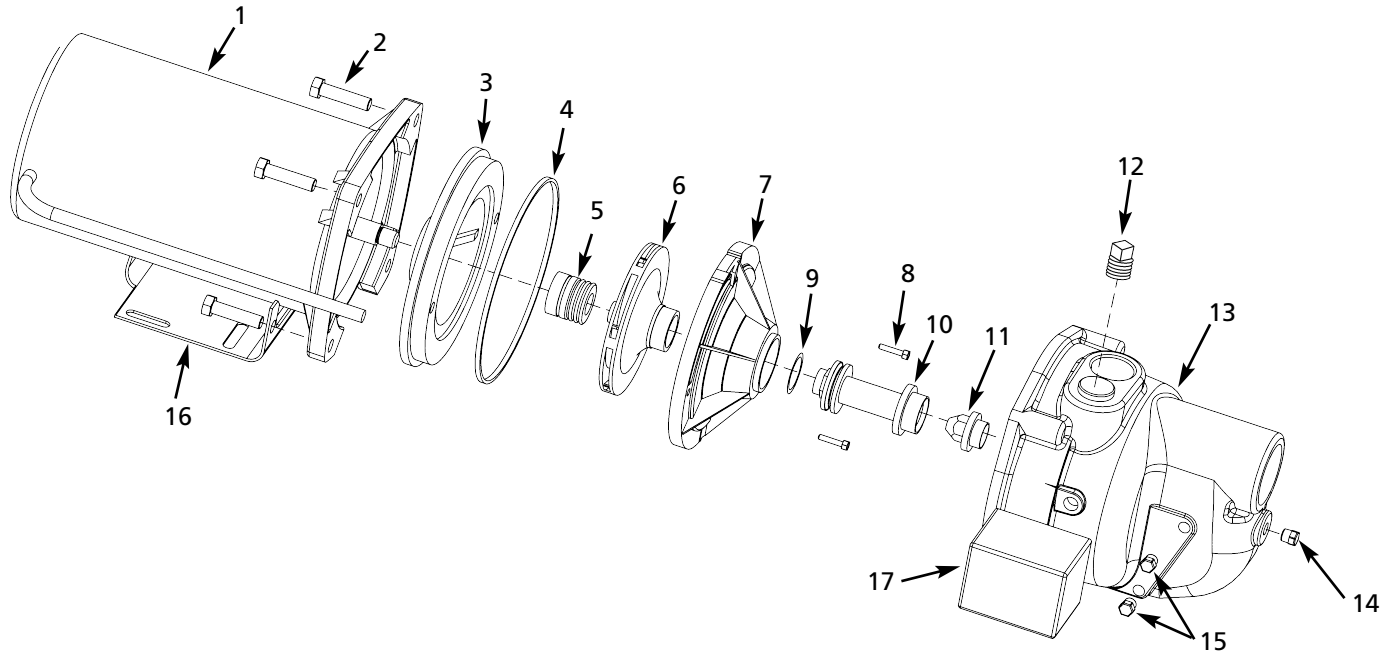
Para Piezas de Repuestos, Llame al 1-800-237-0987

Sírvase proporcionar la siguiente información:

- Número de modelo
- Número de serie (si tiene)
- Descripción y número de repuesto como se muestra en la lista de repuestos

Puede escribirnos a:

Wayne Water Systems
101 Production Drive
Harrison, OH 45030 U.S.A.



No. de Ref.	Descripción	Para Los Modelos			Ctd.
		SWS50-1/2 HP	SWS75-3/4 HP	SWS100-1 HP	
1	Motor	32059-001	34142-001	34142-001	1
2	Tornillo	16636-002	16636-002	16636-002	4
3	Placa de sellado	4372-001	4372-001	4372-001	1
4	• Empaquetadura cuadrada de caucho para anillo	17150-001	17150-001	17150-001	1
5	• Ensamblaje de sello del eje	56393	56393	56393	1
6	Impulsor	23285-021	23285-022	23285-022	1
7	Difusor	17148-021	17148-021	17148-021	1
8	Tornillo	67007-001	67007-001	67007-001	2
9	• Anillo en o	15557	15557	15557	1
10	Venturi	17151-002	17151-003	17151-004	1
11	Boquilla	15672	15672	15672	1
12	19,1 mm (3/4") Tapón de cebado	15921	15921	15921	1
13	Voluta	56869-001	56869-001	56869-001	1
14	6,4 mm (1/4") NPT Tapón de cebado	16314-002	16314-002	16314-002	1
15	3,2 mm (1/8") NPT Tapón de cebado	15766-002	15766-002	15766-002	1
17	Base	23029-021	23029-021	23029-021	1
19	Presostato	30010-021	30010-021	30010-021	1
•	Juego para reparaciones (Incluye #4, 5 y 9)	56874-001	56874-001	56874-001	1

Garantía Limitada

Durante tres años a partir de la fecha de compra, Wayne Water Systems ("Wayne") reparará o reemplazará para el comprador original, según lo que decida, cualquier pieza o piezas de su Juego para estanque, Bombas de resumideros, Bombas de agua ("Producto") que después de un examen Wayne encuentre que tenían defectos en su material o mano de obra. Sírvase llamar a la compañía Wayne (800-237-0987, desde EUA) para recibir instrucciones al respecto o comuníquese con el distribuidor más cercano a su domicilio. Para hacer reclamos bajo esta garantía deberá suministrarnos el número del modelo y el número de serie del producto. El comprador será responsable de pagar todos los gastos de flete para enviar las piezas o el Producto para que sean reparados o reemplazados.

Esta Garantía Limitada no cubre los daños que sufra el Producto debido a accidentes, abusos, usos inadecuados, negligencia, instalación incorrecta, mantenimiento inadecuado o haberse utilizado sin seguir las instrucciones escritas suministradas por la compañía Wayne.

NO EXISTEN OTRAS GARANTIAS EXPRESAS. LAS GARANTIAS IMPLICITAS INCLUYENDO GARANTIAS EN RELACION AL MERCADEO O USOS ESPECIFICOS ESTAN LIMITADAS A TRES AÑOS A PARTIR DE LA FECHA DE COMPRA. ESTA ES LA UNICA GARANTIA DISPONIBLE Y TODAS LAS REONSABILIDADES CIVILES, DIRECTAS O INDIRECTAS, O GASTOS POR DAÑOS INDIRECTOS O CONSECUENTES QUEDAN EXCLUIDOS.

Algunos estados no permiten que se establezcan límites en la duración de las garantías implícitas o no permiten que se excluyan ni se establezcan límites en los daños por incidentes o consecuencias, por lo tanto los límites antes mencionados podrían ser no válidos. Esta Garantía Limitada le otorga derechos legales específicos, y usted también puede tener otros derechos que varían de un Estado a otro.

En ningún caso, bien sea por ruptura del contrato de la garantía, responsabilidad civil (incluyendo negligencia) u otra causa, Wayne o sus distribuidores serán responsables por daños especiales, consecuentes ni circunstanciales ni penales, incluyendo, pero no limitados a la pérdida de ganancias, pérdida de uso del producto o equipos asociados, daños a equipos asociados, costos de capitales, costos para substituir productos, costos para substituir o reemplazar servicios, costos por pérdida de productividad, o reclamos de clientes del comprador por dichos daños.

DEBE conservar el recibo de compra con esta garantía. En caso de que necesite hacer un reclamo bajo esta garantía, **DEBERA** enviarnos una **copia** del recibo junto con el material o correspondencia. Sírvase comunicarse con la compañía Wayne (800-237-0987, en EUA) para recibir autorización e instrucciones para enviar el producto.

NO ENVIE ESTA GARANTIA A WAYNE. Use este documento sólo para mantener sus records.

NO. DEL MODELO _____ NO. DE SERIE _____ FECHA DE INSTALACION _____

ANEXE SU RECIBO AQUI