



***HandyPlasma 35i,
HandyPlasma 45i,
Firepower 25i/35i/45i,
CutSkill 35/45***



Spare parts list

Spare parts may be ordered through your nearest ESAB dealer, see [esab.com](https://www.esab.com). When ordering, please state product type, serial number, denominations and ordering numbers according to the spare parts list. This facilitates dispatch and ensures correct delivery.

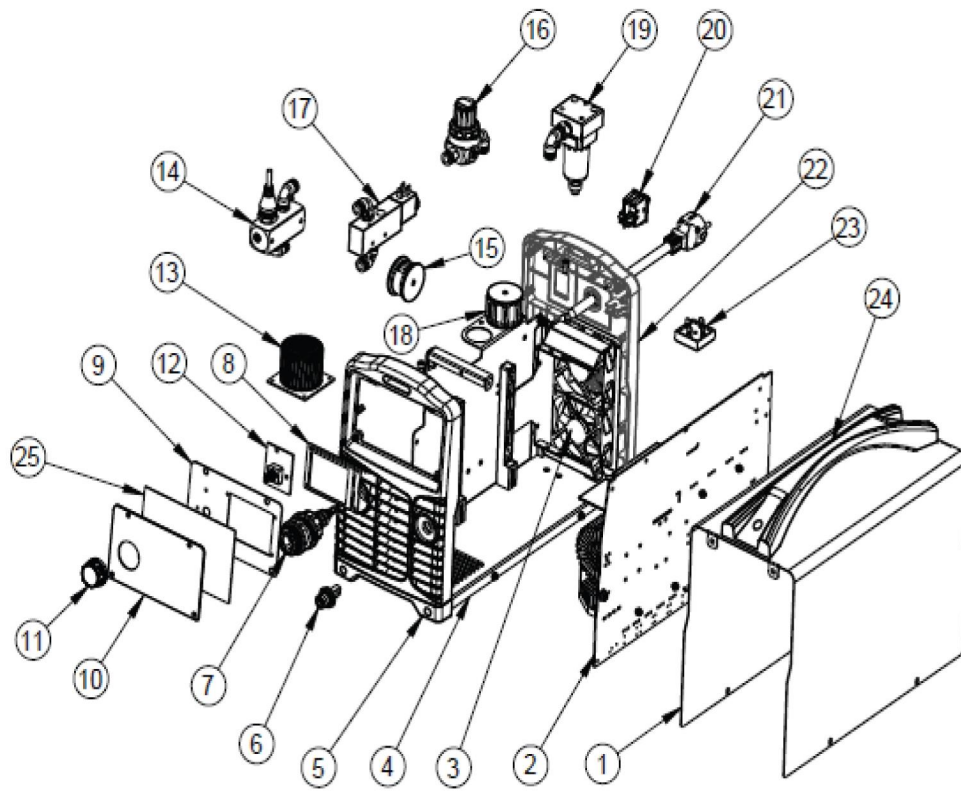
Maintenance and repair work should be performed by an experienced person, and electrical work only by a trained electrician. Use only recommended spare parts.

SPARE PARTS **4**
 HandyPlasma 35i / 45i..... **4**
 FirePower 25i / 35i / 45i **6**
 CutSkill 35 / 45 **8**

SPARE PARTS

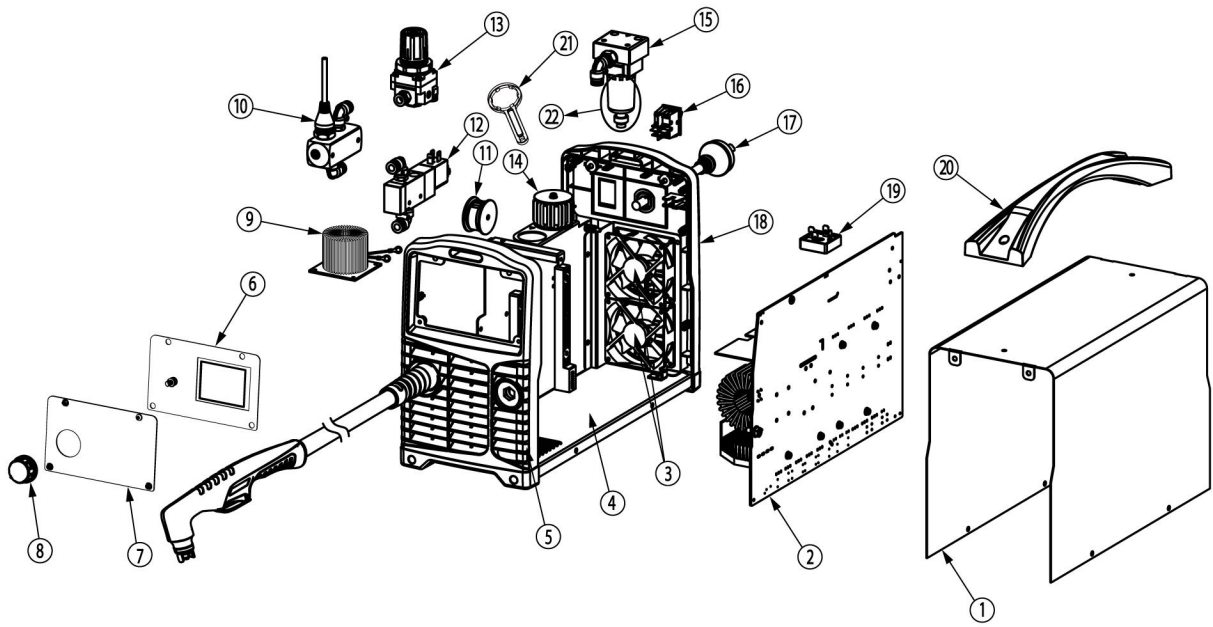
HandyPlasma 35i / 45i

Item	Qty	Ordering no.	Denomination	Notes
1	1	0559337090	Panel cover	
2	1	0559337088	PCB Inverter	HandyPlasma 45i
		0559337016	PCB Inverter	HandyPlasma 35i
3	2	0559337059	Fan	
4	1	0559337060	Base panel	
5	1	0559337061	Front panel	
6	1	0559337062	Socket	10/25
7	1	0559337063	Adapt centre & wire	
8	1	0559337064	PCB LCD	
9	1	0559337091	Control panel	
10	1	0559337066	Shield C/Panel	
11	1	0559337067	Front knob	
12	1	0559337068	PCB encoder	
13	1	0559337069	PCB inductor	
14	1	0559337070	Pressure sensor	
15	1	0559337071	Earth inductor	
16	1	0559337072	Air regulator	
17	1	0559337073	Solenoid assembly	
18	1	0559337074	Choke EMI	
19	1	0559007075	Air filter	
20	1	0559337076	Power switch	
21	1	0559337035	Input cable	
22	1	0559337078	Rear panel	
23	1	0559337079	Rectifier	
24	1	0559337080	Handle	
25	1	0559001045	Label	HandyPlasma 45i
		0559001035	Label	HandyPlasma 35i



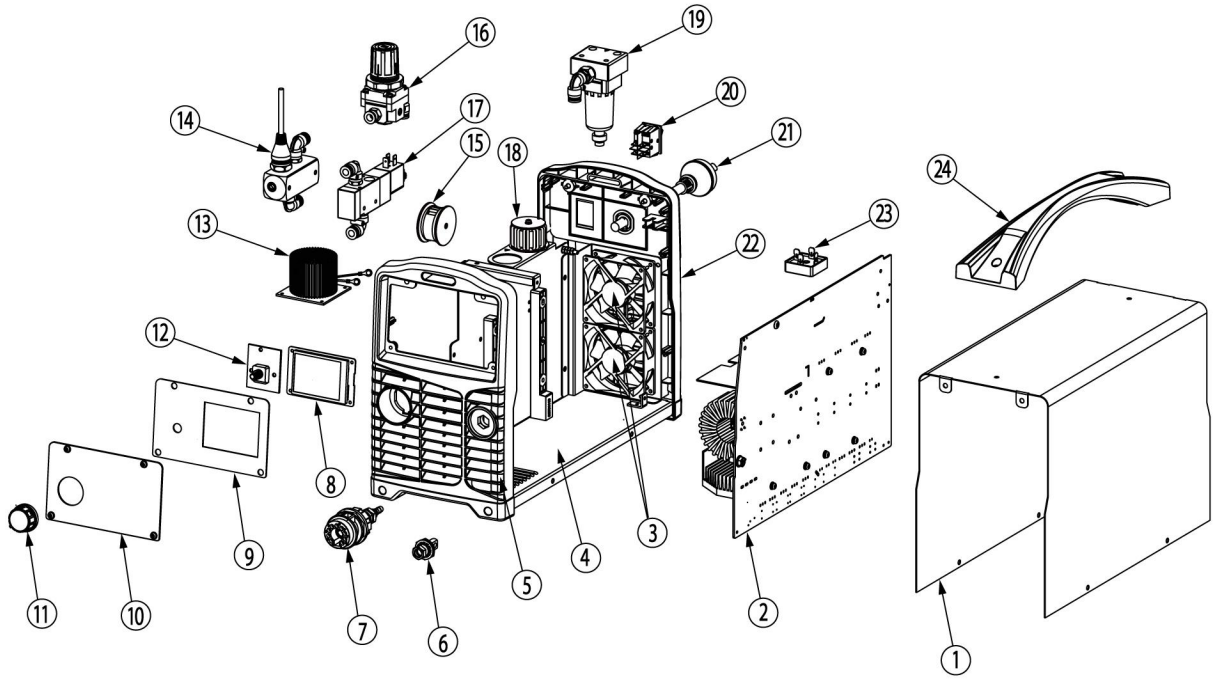
FirePower 25i / 35i / 45i

Item	Qty	Ordering no.	Denomination	Notes
1	1	1445-1920	Panel cover	
2	1	1445-1921	PCB Inverter	Firepower 25i
		1445-1922	PCB Inverter	Firepower 35i
		1445-1923	PCB Inverter	Firepower 45i
3	2	1445-1924	Fan assembly	
4	1	1445-1926	Base panel	
5	1	1445-1927	Front panel	
6	1	1445-1928	Control panel	Firepower 25i
		1445-1929	Control panel	Firepower 35i
		1445-1930	Control panel	Firepower 45i
7	1	1445-1931	Shield panel	
8	1	1445-1932	Control knob	
9	1	1445-1933	PFC Inductor assembly	
10	1	1445-1934	Pressure sensor assembly	
11	1	1445-1936	Earth inductor	
12	1	1445-1937	Air regulator	
13	1	1445-1938	Gas solenoid assembly	
14	1	1445-1939	Choke EMI	
15	1	1445-1940	Air filter assembly	
16	1	1445-1941	ON/OFF switch	
17	1	1445-1942	Power input cable	Firepower 25i
		1445-1943	Power input cable	Firepower 35i/45i
18	1	1445-1944	Rear panel	
19	1	1445-1946	Rectifier	
20	1	1445-1947	Handle	
21	1	1445-1948	Wrench air filter	
22	1	1445-1949	Filter power supply	



CutSkill 35 / 45

Item	Qty	Ordering no.	Denomination	Notes
1	1	CSP337015	Panel cover	CutSkill 35
		CSP337086	Panel cover	CutSkill 45
2	1	CSP337016	PCB Inverter	CutSkill 35
		CSP337084	PCB Inverter	CutSkill 45
3	2	CSP337017	Fan assembly	
4	1	CSP337018	Base panel	
5	1	CSP337019	Front panel	
6	1	CSP337020	Dinse socket	
7	1	CSP337021	Torch adaptor	
8	1	CSP337022	PCB LCD assembly	
9	1	CSP337023	Control panel	CutSkill 35
		CSP337087	Control panel	CutSkill 45
10	1	CSP337024	Shield panel	
11	1	CSP337025	Control knob	
12	1	CSP337026	PCB encoder assembly	
13	1	CSP337027	PCB inductor assembly	
14	1	CSP337028	Pressure sensor assembly	
15	1	CSP337029	Earth inductor	
16	1	CSP337030	Air regulator	
17	1	CSP337031	Gas solenoid valve	
18	1	CSP337032	Choke EMI	
19	1	CSP337033	Air filter	
20	1	CSP337034	ON/OFF switch	
21	1	CSP337035	Power input cable	CutSkill 35
		CSP337085	Power input cable	CutSkill 45
22	1	CSP337036	Panel rear	
23	1	CSP337037	Rectifier	
24	1	CSP337038	Handle	





A WORLD OF PRODUCTS AND SOLUTIONS.



For contact information visit esab.com

ESAB AB, Lindholmsallén 9, Box 8004, 402 77 Gothenburg, Sweden, Phone +46 (0) 31 50 90 00

<http://manuals.esab.com>

