

## OWNER'S MANUAL

### CONTENTS:

Page	1	Specifications
	2	Warning Information
	3	Setup, Operating and Maintenance
	4	Trouble Shooting and Warranty Information
	5	Exploded View Drawing
	6	Replacement Parts



### SPECIFICATIONS

Low Height.....	5"
Raised Height.....	22"
Length.....	55-1/2"
Overall Width.....	17"
Handle Length.....	45-3/4"
Saddle Diameter.....	5.75"
Shipping Weight.....	225 lbs.

## WARNING INFORMATION



This is the safety alert symbol. It is used to alert you to potential personal injury hazards. Obey all safety messages that follow this symbol to avoid possible injury or death.

### WARNING

WARNING: Indicates a hazardous situation which, if not avoided, could result in death or serious injury.



### IMPORTANT: READ THESE INSTRUCTIONS BEFORE OPERATING

BEFORE USING THIS DEVICE, READ THIS MANUAL COMPLETELY AND THOROUGHLY, UNDERSTAND ITS OPERATING PROCEDURES, SAFETY WARNINGS AND MAINTENANCE REQUIREMENTS.

It is the responsibility of the owner to make sure all personnel read this manual prior to using the device. It is also the responsibility of the device owner to keep this manual intact and in a convenient location for all to see and read. If the manual or product labels are lost or not legible, contact Sunex for replacements. If the operator is not fluent in English, the product and safety instructions shall be read to and discussed with the operator in the operator's native language by the purchaser/owner or his designee, making sure that the operator comprehends its contents.

## THE NATURE OF HAZARDOUS SITUATIONS

### WARNING

The use of portable automotive lifting devices is subject to certain hazards that cannot be prevented by mechanical means, but only by the exercise of intelligence, care, and common sense. It is therefore essential to have owners and personnel involved in the use and operation of the equipment who are careful, competent, trained, and qualified in the safe operation of the equipment and its proper use. Examples of hazards are dropping, tipping or slipping of loads caused primarily by improperly securing loads, overloading, off-centered loads, use on other than hard level surfaces, and using equipment for a purpose for which it was not designed.

## METHODS TO AVOID HAZARDOUS SITUATIONS

### WARNING



- Read, study, understand & follow all instructions before using.
- Inspect the jack before each use. Do not use if damaged, altered, modified, in poor condition, leaking hydraulic fluid or unstable due to loose or missing components. Make corrections before using.
- Use only on a hard level surface free from obstructions so the jack is free to reposition itself during lifting and lowering operations.
- Lift only on areas of the vehicle as specified by the vehicle manufacturer.



- User and bystanders must wear eye protection that meets ANSI Z87.1 and OSHA standards.
- Do not use jack beyond its rated capacity. Do not shock load.
- **This is a lifting device only. Immediately after lifting, support the vehicle with jack stands capable of sustaining the load before working on the vehicle.**
- Center load on saddle. Be sure setup is stable before working on vehicle.
- Do not move or dolly the vehicle while on the jack.
- Do not use any materials that may serve as risers, spacers or extenders between the stock lifting saddle and the load.
- Do not use any adaptors that replace the stock lifting saddle unless approved or supplied by the jack manufacturer.
- Always lower the jack slowly and carefully.
- Do not use (or modify) this product for any other purpose than that for which it was designed without consulting the manufacturer's authorized representative.
- This product may contain one or more chemicals known to the State of California to cause cancer and birth defects or other reproductive harm. *Wash hands thoroughly after handling.*
- Failure to heed these warnings may result in serious or fatal personal injury and/or property damage.

## CONSEQUENCES OF NOT AVOIDING HAZARDOUS SITUATIONS

### WARNING

Failure to read this manual completely and thoroughly, failure to understand its OPERATING INSTRUCTIONS, SAFETY WARNINGS, MAINTENANCE INSTRUCTIONS and comply with them, and failure to comply with the METHODS TO AVOID HAZARDOUS SITUATIONS could cause accidents resulting in serious or fatal personal injury and/or property damage.

## OWNER'S MANUAL

### SETUP

#### PLEASE REFER TO THE EXPLODED VIEW DRAWING IN THIS MANUAL IN ORDER TO IDENTIFY PARTS.

1. In order to install the handle assembly (#54) in the handle socket (#32), first align the main handle tube with the largest hole in the handle socket and the lock pin rod with the smaller hole in the handle socket.
2. Make sure the lock pin rod is in the down/lock position before insertion in the handle socket. Once the main handle tube and lock pin rod are aligned with their respective holes in the handle socket, push the handle assembly in the handle socket so the end of the handle tube engages the release valve mechanism in the bottom of the handle socket and the lock pin rod engages one of the three (3) locking holes in the (#1) frame.
3. Now rotate the "T" handle portion of the handle assembly so it is perfectly aligned with the jack before tightening the (#36) bolt, (#35) washer, and (#34) nut. Tighten the bolt, washer, and nut so the handle cannot rotate. Disengage the lock pin rod by pulling up on the lever and engaging the lever with the slot in top of the handle assembly. The handle assembly should be free to pump up and down.
4. In order to check for proper handle assembly alignment with the handle socket, see if the lock pin rod will engage with the three locking holes in the frame. Also, turn the release valve knob at the top of the handle assembly left and then right to see if the release valve u-joint in front and below the handle socket is rotating simultaneously with the turning of the knob.
5. Before Use: Air may become trapped in the hydraulic system.

#### PURGING AIR FROM THE HYDRAULIC SYSTEM:

- a. Rotate the knob at the top of the handle assembly in a clockwise direction until tight. Now turn it in a counterclockwise direction two full turns.
- b. Activate the foot pump pedal (#33) about 15 times.
- c. Rotate the knob at the top of the handle assembly in a clockwise direction until tight.
- d. Activate the foot pump until the lift arm is raised to maximum height. You should experience a full pump stroke with each incremental pump of the pedal.
- e. Repeat steps "a" through "d" until all air is purged from the system.

### OPERATING INSTRUCTIONS



This is the safety alert symbol used for the OPERATING INSTRUCTIONS section of this manual to alert you to potential personal injury hazards. Obey all instructions to avoid possible injury or death.

**IMPORTANT:** Before attempting to raise any vehicle, check vehicle service manual for recommended lifting surfaces.

#### OPERATION:

1. **To raise load:** Turn the knob at the top of the handle assembly in a clockwise direction until tight. Position the jack under the load. Proceed to pump the handle or the foot pedal in order to raise the lift arm to the load. As the saddle at the end of the lift arm gets closer to the load, reposition the jack so the saddle will contact the load firmly and the load is centered on the saddle. Make sure the saddle is correctly positioned. Remember that foot pedal pump operation is only used to quickly raise the saddle to the load. The handle pump operation of the jack is used to lift the load. Raise the load to the desired work height. Place jack stands of appropriate capacity at the vehicle manufacturer's recommended support areas that provide stable support for the raised vehicle. **DO NOT CRAWL UNDER VEHICLE WHILE LIFTING VEHICLE OR REMOVING THE JACK STANDS!** Once jack stands are positioned, turn the knob at the top of the handle assembly in a counterclockwise direction VERY SLOWLY. Lower the load to rest on the jack stands. Inspect the relationship between the jack stands and load to make sure the setup is stable and safe. If the setup is not stable or safe, follow the preceding steps until corrected. NOTE: Once the hand pump operation has ceased, the handle assembly can be locked in any of the three (3) handle locking positions. Typically, the handle locking positions are used for moving the jack around the shop, keeping the handle out of the way or preventing the handle from being pumped.
2. **To lower load:** Follow the procedures mentioned in "To raise load" section of the OPERATING INSTRUCTIONS in order to raise the load off the jack stands. Once the load has cleared the jack stands, remove the stands from under the load and away from the work area. Turn the knob at the top of the jack's handle assembly very slowly in a counterclockwise direction until the load is completely lowered to the ground. Once the jack's lifting saddle has cleared the load, remove the jack from under the load. CAUTION: Keep hands and feet away from the hinge mechanism of the jack. **DO NOT CRAWL UNDER VEHICLE WHILE LIFTING VEHICLE OR REMOVING THE JACK STANDS!**

### PREVENTATIVE MAINTENANCE



This is the safety alert symbol used for the PREVENTATIVE MAINTENANCE section of this manual to alert you to potential personal injury hazards. Obey all instructions to avoid possible injury or death.

1. Always store the jack in a well protected area where it will not be exposed to inclement weather, corrosive vapors, abrasive dust, or any other harmful elements. The jack must be cleaned of water, snow, sand, grit, oil, grease or other foreign matter before using.
2. The jack must be lubricated periodically in order to prevent premature wearing of parts. A general purpose grease must be applied to all zerk grease fittings, caster wheels, front axle wheels, elevator arm, handle base pivot bolts, release mechanism and all other bearing surfaces. Worn parts resulting from inadequate or no lubrication are not eligible for warranty consideration.

## PREVENTATIVE MAINTENANCE CONTINUED

3. It should not be necessary to refill or top off the reservoir with hydraulic fluid unless there is an external leak. An external leak requires immediate repair which must be performed in a dirt-free environment by an authorized service center.

**IMPORTANT:** In order to prevent seal damage and jack failure, never use alcohol, hydraulic brake fluid, or transmission oil in the jack. Use Chevron Hydraulic Oil AW ISO 32, Unocal Unax AW150 or hydraulic jack oil.

4. Every jack owner is responsible for keeping the jack labels clean and readable. Use a mild soap solution to wash external surfaces of the jack but not any moving hydraulic components.
5. Inspect the jack before each use. Do not use the jack if any component is cracked, broken, bent, shows sign of damage or leaks hydraulic fluid. Do not use the jack if it has loose or missing hardware or components, or is modified in any way. Take corrective action before using the jack again.
6. Any hydraulic repairs within the warranty period must be performed by an authorized service center.

## INSPECTION

Visual inspection should be made before each use of the jack, checking for leaking hydraulic fluid and damaged, loose or missing parts. Each jack must be inspected by a manufacturer's repair facility immediately if subjected to an abnormal load or shock. Any jack which appears to be damaged in any way, is found to be badly worn, or operates abnormally **MUST BE REMOVED FROM SERVICE** until necessary repairs are made by a manufacturer's authorized repair facility. It is recommended that an annual inspection of the jack be made by a manufacturer's authorized repair facility and that any defective parts, decals or warning labels be replaced with manufacturer's specified parts. A list of authorized repair facilities is available from the manufacturer.

## PROPER STORAGE

It is recommended that the jack be stored in a dry location with all wheels touching the ground on a relatively level surface.

## TROUBLESHOOTING

Important: Service jacks are self-contained devices used for lifting, but not sustaining, a partial vehicular load. In accordance with ASME-PASE Load Sustaining Test: "A load not less than the rated capacity...shall not lower more than 1/8" (3.18mm) in the first minute, nor a total of .1875" (4.76mm) in 10 minutes." Lowering within this range is considered normal operation and is **NOT** a warrantable defect.

PROBLEM	ACTION
1. Unit will not lift rated load.	Purge air from hydraulic system by following procedure under SETUP.
2. Unit will not sustain rated load or feels "spongy" under rated load.	Purge air from hydraulic system as above.
3. Unit will not lift to full height.	Purge air from hydraulic system as above.
4. Handle tends to raise up while the unit is under rated load.	Pump the handle rapidly several times to push oil past ball valves in power unit.
5. Unit still does not operate.	For a complete list of authorized hydraulic repair centers please visit <a href="http://www.toolwarrantyrepair.com">www.toolwarrantyrepair.com</a> .

## OWNER/USER RESPONSIBILITY

The owner and/or user must have an understanding of the manufacturer's operating instructions and warnings before using this jack. Personnel involved in the use and operation of equipment shall be careful, competent, trained, and qualified in the safe operation of the equipment and its proper use when servicing motor vehicles and their components. Warning information should be emphasized and understood. If the operator is not fluent in English, the manufacturer's instructions and warning shall be read to and discussed with the operator in the operator's native language by the purchaser/owner, making sure that the operator comprehends its contents. Owner and/or user must study and maintain for future reference the manufacturers' instructions. Owner and/or user is responsible for keeping all warning labels and instruction manuals legible and intact. Replacement labels and literature are available from the manufacturer.

## LIMITED WARRANTY

### SUNEX INTERNATIONAL, INC. WARRANTS TO ITS CUSTOMERS THAT THE COMPANY'S SUNEX TOOLS® BRANDED PRODUCTS ARE FREE FROM DEFECTS IN WORKMANSHIP AND MATERIALS.

Sunex International, Inc. will repair or replace its Sunex Tools® branded products which fail to give satisfactory service due to defective workmanship or materials, based upon the terms and conditions of the following described warranty plans attributed to that specific product. This product carries a ONE-YEAR warranty. During this warranty period, Sunex Tools will repair or replace at our option any part or unit which proves to be defective in material or workmanship.

#### Other important warranty information

This warranty does not cover damage to equipment or tools arising from alteration, abuse, misuse, damage and does not cover any repairs or replacement made by anyone other than Sunex Tools or its authorized warranty service centers. The foregoing obligation is Sunex Tools' sole liability under this or any implied warranty and under no circumstances shall we be liable for any incidental or consequential damages.

**NOTE:** Some states do not allow the exclusion or limitation of incidental or consequential damages, so the above limitation or exclusion may not apply to you. Return equipment or parts to an authorized service center, transportation prepaid. Be certain to include your name and address, evidence of the purchase date, and description of the suspected defect. If you have any questions about warranty service, please write to Sunex Tools. This warranty gives you specific legal rights and you may also have other rights which vary from state to state.

Repair kits and replacement parts are available for many of Sunex Tools products regardless of whether or not the product is still covered by a warranty plan.

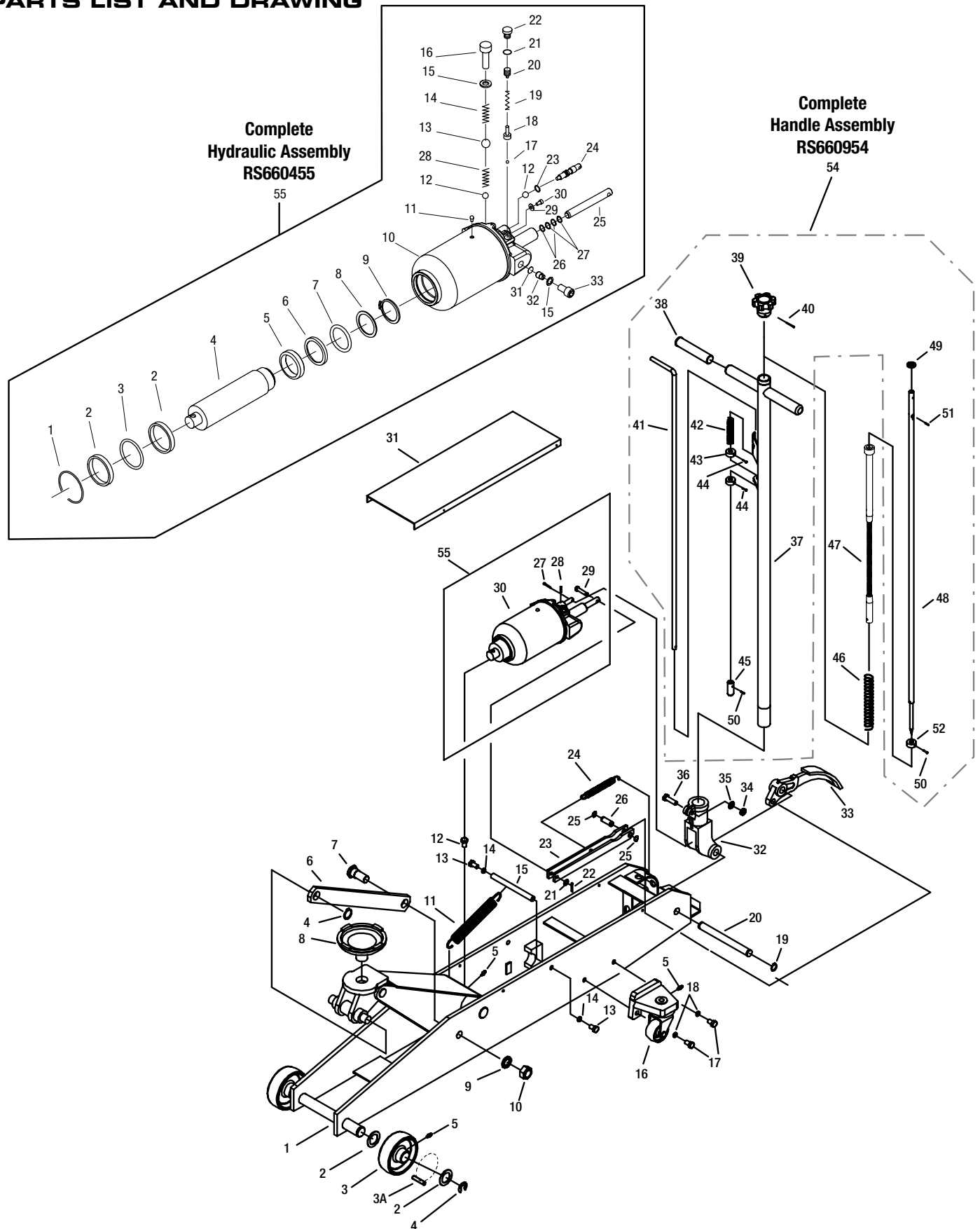
#### SHIPPING ADDRESS:

Sunex Tools  
315 Hawkins Rd.  
Travelers Rest, South Carolina 29690

#### MAILING ADDRESS:

Sunex Tools  
P.O. Box 1233  
Travelers Rest, South Carolina 29690

## PARTS LIST AND DRAWING



## PARTS LIST AND DRAWING

Index No.	Part No.	Description	Qty.	Index No.	Part No.	Description	Qty.
1		Frame	1	29		Pin	1
2		Washer	4	30		Hydraulic power unit	1
3	RS660403	Front wheel (incl. #2,3,3a,4,5)	2	31		Cover plate	1
3A	RS660403A	Roller bearing set	2	32	RS660932	Handle socket	1
4		Snap ring	4	33	RS550511	Pedal	1
5		Grease fitting	5	34		Nut	1
6		Rod link	2	35		Washer	1
7		Bolt	2	36	RS550535	Bolt Kit (incl. #34,35,36)	1
8	RS660408	Saddle	1	37		Handle	1
9		Lock washer	2	38		Handle grip	2
10		Nut	2	39	RS660939	Knob	1
11		Spring	1	40		Pin	1
12		Bolt	1	41		Control rod	1
13		Bolt	2	42		Spring	1
14		Lock washer	2	43		Washer	2
15		Shaft	1	44		Bolt	2
16	RS660416	Rear caster wheel assembly	2	45		Pin	1
17	RS660417	Caster bolt kit [(incl. #17 (2), 18 (2))]	4	46		Spring	1
18		Washer	4	47	RS660448	Flex release assembly	1
19		Snap ring	2	48		Convey rod	1
20		Pin	1	49		Washer	1
21		Washer	1	50		Pin	2
22		Pin	1	51		Pin	1
23		Link assembly	1	52		Washer	1
24	RS660929	Spring	1	54	RS660954	Handle assembly (incl. #37-45, 48-52)	1
25	RS550510	Snap ring	2	55	RS660455	Complete hydraulic block assembly	1
26	RS550509	Pedal pin	1				
27		Pin	1				

Only index numbers identified by part number are available separately.

### POWER UNIT

Index No.	Part No.	Description	Qty.	Index No.	Part No.	Description	Qty.
1	*	Snap ring	1	18	*	Ball seat	1
2	*	Washer	2	19	*	Spring	1
3	*	O-ring	1	20		Bolt	1
4		Piston rod	1	21	*	Sealing washer	1
5	*	Piston ring	1	22		Bolt	1
6	*	Sealing washer	1	23	*	O-ring	1
7	*	O-ring	1	24	RS6570024	Release valve rod	1
8	*	O-ring Retainer	1	25		Cylinder pump	1
9	*	Snap ring	1	26	*	O-ring	2
10		Oil hydraulic assembly	1	27	*	Nylon gasket	2
11	*	Oil filler plug	1	28	*	Spring	1
12	*	Steel ball	2	29		Washer	1
13	*	Steel ball	1	30		Bolt	1
14	*	Spring	1	31	*	Filter Screen	1
15	*	Copper washer	2	32		Throttle Valve	1
16		Bolt	1	33		Cover Screw	1
17	*	Steel ball	1				

Asterisked index numbers available in repair kit only, RS6604ARK

## MANUAL DE OPERACIÓN

### CONTENIDO:

Página	7	Especificaciones y características
	8	Información de advertencia
	9	Ensamble, operación y mantenimiento
	10	Diagnóstico de averías e información de garantía



### ESPECIFICACIONES

Altura baja.....	5"
Altura elevada.....	22"
Longitud.....	55-1/2"
Anchura global .....	17"
Longitud del mango .....	45-3/4"
Diámetro de la silla.....	5.75"
Peso de embarque.....	225 lbs.

## INFORMACIÓN DE ADVERTENCIA



Este símbolo indica una alerta de seguridad y se usa para advertir sobre peligro de accidentes personales. Observe toda la información de seguridad que sigue a este símbolo para evitar la posibilidad de que ocurran lesiones o muerte.

### ⚠ ADVERTENCIA

ADVERTENCIA: Indica una situación peligrosa que si no se evita, puede provocar la muerte o lesiones graves.



### IMPORTANTE: LEA ESTAS INSTRUCCIONES ANTES DE USAR EL DISPOSITIVO

ANTES DE USAR ESTE DISPOSITIVO, LEA ESTE MANUAL DETENIDAMENTE. PROCURE ENTENDER SUS PROCEDIMIENTOS OPERATIVOS, ADVERTENCIAS DE SEGURIDAD Y FORMA DE MANTENIMIENTO.

El propietario es responsable de asegurarse de que todo el personal lea este manual antes de usar el dispositivo. Asimismo, es responsabilidad del propietario mantener este manual en buenas condiciones en una ubicación conveniente para su consulta. Si las etiquetas del manual o producto son ilegibles o no están en su lugar, deberá ponerse en contacto con Sunex para obtenerlas gratis. El comprador/propietario o una persona designada deberá leer y comentar el producto y las advertencias de seguridad en la lengua materna del operario que no hable inglés fluido, a fin de asegurarse de que comprende el contenido.

## NATURALEZA DE LAS SITUACIONES DE RIESGO

### ⚠ ADVERTENCIA

El uso de dispositivos de elevación de automotores se halla sujeto a ciertos riesgos que no se pueden prever por medios mecánicos, sino por la información, la diligencia y el sentido común. Por lo tanto, es esencial que el uso del dispositivo quede en manos de los propietarios y de personal que sea cuidadoso, competente, capacitado y habilitado para realizar una operación segura. Algunos ejemplos de peligros son dejar caer, inclinar o resbalar las cargas, principalmente como consecuencia de una sujeción incorrecta, sobrecarga, posición no centrada, uso en superficies no niveladas o firmes, así como usar el dispositivo con un fin para el que no está diseñado.

## FORMAS DE EVITAR LAS SITUACIONES DE RIESGO

### ⚠ ADVERTENCIA



• Lea, estudie, comprenda y siga todas las instrucciones antes de operar este dispositivo.

• Inspeccione el gato antes de cada uso. No use el gato si está dañado, modificado, en pobres condiciones, si haya una fuga de fluido hidráulico, o si está inestable debido a piezas sueltas o faltantes. Haga toda corrección antes del uso.



• Nunca métase debajo de una carga suspendida o una la que está en proceso de levantarse.

• Lleve puesto protección de ojos que cumpla con las normas de ansi z87.1 Y osha.

• Utiliser uniquement sur une surface solide et horizontale.

• No levante la pluma si la grúa viene equipada con una pata plegable o almacenable y si las patas estén en posición vertical. Las patas deben estar sujetadas en una posición vertical cuando no la unidad no está en uso.

• Use sólo eslingas o cadenas con una capacidad nominal mayor a la del peso de la carga a levantarse.

• Ne pas utiliser le cric pour soulever une charge supérieure à sa capacité nominale.

• No levante ni mueva una carga la cual cuenta con un centro de gravedad que extiende más allá de las ruedas delanteras.

• No deje que la carga oscile ni que se caiga violentamente al momento de levantar, bajar o mover la carga.

• Antes de mover la carga, baje la carga hasta su punto más bajo posible.

• No se debe de hacer ninguna modificación a este producto y no use ningún accesorio no aprobado

• Este producto contiene una o más sustancias químicas consideradas por el Estado de California como causantes de cáncer, de malformaciones congénitas u otros daños en el sistema reproductivo. *Lávese bien las manos después de manipular el producto.*

• Hacer caso omiso a estas advertencias puede ocasionar lesiones personales serias o fatales y/o daños a la propiedad.

## CONSECUENCIAS DE NO PREVENIR LAS SITUACIONES DE RIESGO

### ⚠ ADVERTENCIA

No leer, comprender u observar todo el contenido de este manual en relación con sus INSTRUCCIONES DE USO, ADVERTENCIAS DE SEGURIDAD y FORMA DE MANTENIMIENTO, así como desatender las FORMAS DE EVITAR LAS SITUACIONES DE RIESGO, puede provocar accidentes que tengan como consecuencia lesiones graves, peligro de muerte o daños materiales.

## MANUAL DE OPERACIÓN

### MONTAJE

**CONSULTE POR FAVOR EL DIBUJO DE VISTA EN DETALLE EN ESTE MANUAL PARA IDENTIFICAR LAS PARTES.**

1. Para poder instalar el conjunto del mango, artículo #54, en el casquillo del mango, artículo #32. Primero alinee el tubo del mango principal con el agujero más grande en el casquillo del mango y el pasador de seguridad con el agujero más pequeño en el casquillo del mango.
2. Antes de insertarlo en el casquillo del mango, asegúrese que el pasador de seguridad esté en la posición de seguridad/hacia abajo. Una vez que el tubo del mango principal y el pasador de seguridad estén alineados con sus agujeros respectivos en el casquillo del mango, empuje el conjunto del mango en el casquillo del mango con el fin de que el tubo del mango se encaje con el mecanismo de la válvula de liberación en la parte inferior del casquillo del mango y el pasador de seguridad se encaje con alguno de los tres (3) agujeros de seguridad en el armazón del artículo #1.
3. Ahora gire la parte del mango en "T" del conjunto del mango con el fin de que esté perfectamente alineada con el gato antes de apretar el perno, artículo #36 y la tuerca, artículo #35, y artículo #34. Apriete el perno y la tuerca con el fin de no se pueda girar el mango. Desconecte el pasador de seguridad al jalar la palanca hacia arriba y al encajar la palanca con la ranura en parte superior del conjunto de mango. El conjunto del mango debe estar libre para bombear hacia arriba y hacia abajo.
4. Para poder inspeccionar la alineación adecuada del conjunto del mango con el casquillo del mango, verifique que el perno de seguridad se encaje con los tres agujeros de seguridad en el armazón. Además, gire la perilla de la válvula de liberación en la parte superior del conjunto del mango hacia la izquierda y luego hacia la derecha para verificar que la junta en "U" de la válvula de liberación, en frente de y debajo del casquillo del mango, se esté girando simultáneamente con la rotación de la perilla.
5. Antes del uso: El aire puede entraparse en el sistema hidráulico.

#### PARA PURGAR EL AIRE DEL SISTEMA HIDRÁULICO:

- a. Gire la perilla en la parte superior del conjunto del mango en el sentido de las agujas del reloj hasta que ésta esté apretada. Ahora gírela en el contrasentido de las agujas del reloj dos vueltas completas.
- b. Active el pedal de la bomba de pie- artículo #33 - aproximadamente 15 veces.
- c. Gire la perilla en la parte superior del conjunto del mango en el sentido de las agujas del reloj hasta que esté apretada.
- d. Active la bomba de pie hasta que el brazo de elevación esté elevado hasta su altura máxima. Usted debe experimentar una corrida completa de la bomba con cada bombeada del pedal.
- e. Si usted considera que no se esté recibiendo el golpe incremental completo de la bomba durante cualquier momento de la operación de la bomba, repita los pasos "a" al "d" hasta que se purgue todo el aire del sistema.

### INSTRUCCIONES DE USO



Este símbolo indica una alerta de seguridad y se utiliza en la parte de este manual que versa sobre las INSTRUCCIONES DE USO, con el fin de advertir sobre los peligros de accidentes personales. Observe todas las instrucciones para evitar lesiones o peligros de muerte.

**IMPORTANTE:** antes de comenzar a elevar un vehículo, consulte su manual de servicio para conocer las superficies de elevación recomendadas.

#### FORMA DE USO:

1. Para elevar la carga, cierre la válvula de seguridad hasta su punto de ajuste (girando la palanca en el sentido de las agujas del reloj). **NO AJUSTE LA VÁLVULA EN EXCESO.** Posicione el gato debajo de la carga de modo que el asiento pueda acoplarse firmemente y la carga quede centrada a fin de que no resbale. Accione la palanca del gato hasta que su asiento se acerque a la posición de acople. Una vez más, compruebe que el asiento esté en la posición correcta. Eleve la carga hasta la altura deseada. Coloque torres con capacidad adecuada debajo del vehículo. **NO PASE POR DEBAJO DEL VEHÍCULO MIENTRAS LO ELEVA NI CUANDO COLOQUE O RETIRE LAS TORRES!** Coloque las torres en los puntos de apoyo recomendados por el fabricante del vehículo que proporcionen una sujeción estable para la carga elevada. Una vez que las torres estén en su lugar, abra la válvula de seguridad **MUY DESPACIO** (girando la palanca en el sentido opuesto al de las agujas del reloj). Baje la carga hasta su punto de apoyo sobre las torres. Luego, asegúrese de que la válvula de seguridad del gato esté cerrada por completo (girando la palanca en el sentido de las agujas del reloj).
2. Para bajar la carga, vuelva a comprobar que la válvula de seguridad esté cerrada por completo. Luego, accione la palanca del gato hasta que la carga se eleve lo suficiente como para retirar las torres. **NO PASE POR DEBAJO DEL VEHÍCULO MIENTRAS LO ELEVA NI CUANDO RETIRA LAS TORRES.** Una vez que haya retirado las torres, abra la válvula de seguridad muy despacio para bajar el vehículo. Baje el brazo elevador del gato por completo de modo que el vehículo repose sobre el suelo en forma segura, sin que haya contacto entre el gato y el vehículo. **PRECAUCIÓN:** Mantenga las manos y los pies lejos del eje de articulación del gato.

### MANTENIMIENTO DE SEGURIDAD



Este símbolo indica una alerta de seguridad y se utiliza en la parte de este manual que versa sobre el MANTENIMIENTO DE SEGURIDAD, con el fin de advertir sobre los peligros de accidentes personales. Observe todas las instrucciones para evitar lesiones o peligros de muerte.

1. Siempre guarde el gato en un área protegida, en donde no quede expuesto a las condiciones climáticas, gases corrosivos, sustancias abrasivas u otros materiales perjudiciales. Antes de usar, compruebe que el gato no contenga restos de agua, nieve, arena o arcilla.
2. El gato se debe lubricar en forma periódica a fin de prevenir el desgaste prematuro de sus partes. Se debe aplicar grasa de uso general en todas las articulaciones, las ruedas pivotantes y del eje delantero, el brazo elevador, los pernos pivotantes de la base de la palanca, el sistema de seguridad y las demás superficies de apoyo. Las partes desgastadas resultando de la lubricación inadecuada o faltante no serán elegibles para consideraciones de garantía.
3. No debería ser necesario recargar ni llenar el receptáculo del líquido hidráulico, salvo si existen fugas. En caso de fugas, un técnico calificado en reparación de sistemas hidráulicos que conozca el funcionamiento de este dispositivo deberá realizar su reparación inmediata en un lugar libre de suciedad.

## MANTENIMIENTO DE SEGURIDAD (CONT.)

**IMPORTANTE:** Con el fin de prevenir daños al sello y fallas del gato, nunca use alcohol, líquido hidráulico para frenos ni aceite de transmisiones en el gato. Use aceite hidráulico de Chevron AW 150 32 o, su equivalente, Unocal Unax AW150.

- El propietario del gato es responsable de mantener sus etiquetas en buen estado de conservación. Use una solución jabonosa suave para lavar el exterior del gato, sin aplicarla a ninguna de las partes del sistema hidráulico.
- Verifique el gato antes de usarlo. No use el gato si alguna de sus partes está quebrada, rota, torcida o dañada, ni cuando el sistema hidráulico tenga fugas. No use el gato si presenta alteraciones o es inestable debido a piezas metálicas o partes desajustadas o faltantes. Tome las medidas de corrección apropiadas antes de usar el gato otra vez.
- No repare el sistema hidráulico a menos que sea un técnico calificado que conozca el funcionamiento de este dispositivo.

## INSPECCIONE

Se debe realizar una inspección visual previo cada uso del gato, revisando por fugas en el líquido hidráulico y por partes dañadas, flojas o faltantes. Cada gato debe ser inspeccionado inmediatamente por parte de un centro de reparación del fabricante, si éste está sujeto a un choque o a una carga anormal. Cualquier gato que aparenta ser dañado de cualquier forma, que se encuentre desgastado o que opere de forma anormal, DEBE DEJARSE DE USAR hasta que se realicen las reparaciones necesarias por parte de un centro de reparación autorizado del fabricante. Se recomienda que se haga una inspección anual del gato por parte de un centro de reparación autorizado del fabricante y que cualquier parte, calcomanía o etiqueta de advertencia defectuosa sea reemplazada con partes especificadas del fabricante. Una lista de los centros de reparación autorizados está disponible con el fabricante.

## ALMACENAMIENTO ADECUADO

Se recomienda que el gato sea almacenado en un lugar seco y que todas las ruedas toquen el piso sobre una superficie relativamente plana.

## DIAGNÓSTICO DE AVERÍAS

**Importante:** Los gatos de servicio son dispositivos autónomos usados para el levantamiento, pero no para el sostenimiento, de una carga vehicular parcial. De acuerdo con la norma de ASME-PALD, de la prueba de sostenimiento de carga: "Una carga no menos que la capacidad nominal ...no deberá más de 1/8" (3.18mm) en el primer minuto, ni un total de .1875" (4.76mm) en 10 minutos." Bajar dentro de este rango se considera como una operación normal y NO es un defecto garantizable.

PROBLEMA	ACCIÓN
1.El equipo no levantará la carga.	Expulsa el aire del sistema hidráulico al seguir el procedimiento bajo LAS INSTRUCCIONES DE OPERACIÓN
2. El equipo no sostendrá la carga o se siente esponjoso bajo la carga.	Expulsa el aire del sistema hidráulico como indicado anteriormente.
3. El equipo no levantará la carga hasta la altura normal.	Expulsa el aire del sistema hidráulico como indicado anteriormente. Revisa que los niveles de aceite no estén ni altos ni bajos.
4. El mango tiende a levantarse mientras el equipo.	Sube y baja el mango rápidamente varias veces para empujar sostiene una carga. el aceite más allá de las válvulas de cojinete en el aparato de capacidad eléctrica.
5. El equipo aún no funciona.	Para una lista completa de centros de reparación hidráulica, visite por favor <a href="http://www.toolwarrantyrepair.com">www.toolwarrantyrepair.com</a> .

## RESPONSABILIDAD DEL PROPIETARIO/USUARIO

El propietario y/o usuario debe contar con una comprensión de las instrucciones y advertencias de operación del fabricante antes de usar este gato. El personal involucrado en el uso y operación del equipo debe ser cuidadoso, competente, capacitado o calificado en la operación segura del equipo y su uso adecuado al momento de dar mantenimiento a los vehículos motores y sus componentes. La información de advertencia debe ser enfatizada y comprendida. Si el operador no domina el idioma inglés, las instrucciones y advertencia del fabricante le deben ser leídas y discutidas con el operador en su idioma nativo por parte del comprador/propietario, asegurándose que el operador comprenda su contenido. El propietario y/o usuario debe estudiar y mantener las instrucciones del fabricante para su referencia futura. El propietario y/o usuario será responsable por mantener legibles e intactos las etiquetas de advertencia y los manuales de instrucción. Las etiquetas y literatura de repuesto están disponibles con el fabricante.

## GARANTÍA LIMITADA

### SUNEX INTERNATIONAL, INC., LE GARANTIZA A SUS CLIENTES QUE LAS HERRAMIENTAS Y PRODUCTOS CON LA MARCA DE LA EMPRESA SUNEX TOOLS NO CONTIENEN DEFECTOS EN SU MANO DE OBRA NI MATERIAS PRIMAS.

Sunex International, Inc., reparará o sustituirá sus productos con la marca Sunex Tools® que reflejen fallas en el funcionamiento satisfactorio debido a que la mano de obra o las materias primas estén defectuosas, tomando como base las cláusulas y condiciones de los planes de garantía descritos a continuación y asignados a ese producto específico. Este producto tiene una garantía de UN AÑO. Durante este periodo de garantía, Sunex Tools reparará o repondrá, a nuestra opción, cualquier parte o unidad la cual demuestra ser defectuosa en cuanto a material o mano de obra.

### Otra importante información de la garantía...

Esta garantía no cubre daños a equipo o herramientas debido a modificaciones, abuso, mal uso o daños y no cubre ninguna reparación o sustitución hecha por ninguna persona que no sea Sunex Tools o alguno de sus centros de servicio de garantía autorizados. La obligación antes mencionada queda bajo la responsabilidad exclusiva de Sunex Tools® según se menciona o de cualquier garantía implícita y bajo ninguna circunstancia quedará bajo su responsabilidad cualquier garantía implícita ya bajo ninguna circunstancia quedará bajo su responsabilidad cualquier daño incidental o consecuencial.

**NOTA:** Algunos estados no permiten la exclusión ni limitación de daños. Devuelva el equipo o partes a un centro de servicio autorizado, con el flete prepago. Asegúrese de incluir su nombre y dirección, comprobación de la fecha de compra, y la descripción del defecto sospechado. Si usted tiene alguna pregunta acerca del servicio de garantía, escriba por favor a Sunex Tools. Esta garantía le brinda derechos legales específicos y usted puede contar con derechos adicionales los cuales varían de estado a estado. Están disponibles equipos de reparación y partes de sustitución para muchos de los productos de Sunex Tools, independientemente del hecho de que el producto aún esté cubierto o no por un plan de garantía

#### DIRECCIÓN A EMBARCARSE:

Sunex Tools  
315 Hawkins Rd.  
Travelers Rest, South Carolina 29690

#### DIRECCIÓN DE CORREOS:

Sunex Tools  
P.O. Box 1233  
Travelers Rest, South Carolina 29690

## MANUEL D'OPERATION

### CONTENU:

Page	11	Spécifications et caractéristiques
	12	Information d'avertissement
	13	Joint, opération et maintien
	14	Diagnostic avaries et information de garantie



### SPÉCIFICATIONS

Hauteur minimum.....	5 po
Hauteur maximum.....	22 po
Longueur.....	55-1/2 po
Anchura global.....	17 po
Longueur de la poignée.....	45-3/4 po
Diamètre de selle.....	5.75 po
Poids d'expédition.....	225 lbs.

## AVERTISSEMENTS



Ce symbole indique un danger potentiel. Il est utilisé pour avertir l'utilisateur des risques potentiels de blessures corporelles. Prière de respecter toutes les consignes de sécurité qui suivent ce symbole afin d'éviter les blessures ou la mort potentielles.

### AVERTISSEMENT

AVERTISSEMENT : Ce symbole indique une situation dangereuse qui pourrait causer la mort ou des blessures graves si elle n'est pas évitée.



### IMPORTANT : LIRE CES CONSIGNES AVANT L'UTILISATION.

PRIÈRE DE LIRE CES CONSIGNES ATTENTIVEMENT ET DE S'ASSURER DE BIEN COMPRENDRE LES PROCÉDURES D'UTILISATION, LES AVERTISSEMENTS DE SÉCURITÉ ET LES BESOINS EN MATIÈRE D'ENTRETIEN DE L'OUTIL AVANT DE L'UTILISER.

Le propriétaire doit s'assurer que tous les employés lisent ce manuel avant d'utiliser l'outil. Le propriétaire de l'outil doit aussi maintenir ce manuel en bon état et le ranger dans un endroit facilement accessible à tous ceux qui doivent le lire. Si le manuel ou les étiquettes de l'outil sont perdus ou illisibles, communiquer avec Sunex pour obtenir un remplacement. Si l'utilisateur ne parle pas couramment le français, les consignes de sécurité et le mode d'emploi de l'outil devront lui être lues à haute voix et être discutées avec l'utilisateur, dans sa langue maternelle, par le propriétaire/acheteur ou une personne désignée, afin d'assurer que l'utilisateur en comprenne les bien le contenu.

## LE TYPE DE SITUATIONS DANGEREUSES

### AVERTISSEMENT

L'utilisation de dispositifs de levage portatifs pour automobiles expose l'utilisateur à certains dangers qui ne peuvent pas être évités par des moyens mécaniques, mais seulement en faisant preuve d'intelligence, d'attention et de bon sens. Il est donc essentiel que les propriétaires et les employés qui utiliseront ce dispositif soient prudents, compétents, qualifiés et formés à l'utilisation sécuritaire de l'équipement. Des exemples de dangers comprennent le renversement, le glissement ou la chute soudaine de la charge. Ces dangers sont principalement imputables à une charge mal répartie, une utilisation sur une surface meuble ou inclinée, ou une utilisation à des fins autres que celles pour lesquelles le dispositif a été conçu.

## MÉTHODES POUR ÉVITER LES SITUATIONS DANGEREUSES

### AVERTISSEMENT



• Lire, étudier, s'assurer de bien comprendre et de suivre les directives avant d'utiliser ce dispositif.

• Inspecter la grue avant chaque utilisation. Ne pas utiliser la grue si elle est endommagée, altérée, modifiée ou en mauvais état, si le liquide hydraulique fuit ou si elle est instable en raison de pièces manquantes ou lâches. Apporter les corrections ou les réparations nécessaires avant l'utilisation.



• Ne jamais se placer sous une charge qui est soulevée ou suspendue.

• Porter des lunettes de protection conformes à la norme ANSI 87.1 et aux normes de l'OSHA.

• Utiliser uniquement sur une surface solide et horizontale.

• Ne pas lever la flèche si la grue est dotée de pattes pouvant être pliées ou démontées pour le rangement et que les pattes sont en position relevée. Les pattes doivent être maintenues en position relevée quand la grue n'est pas utilisée.

• Utiliser uniquement des élingues et des chaînes dont la capacité nominale est supérieure au poids de la charge à soulever.

• Ne pas dépasser la capacité nominale.

• Ne pas soulever ni déplacer une charge dont le centre de gravité se situe au-delà des roulettes avant.

• Éviter que la charge se balance ou tombe brusquement pendant la levée, la descente ou le déplacement.

• Abaisser le plus possible une charge avant de la déplacer.

• Ne pas modifier cette grue de quelque façon que ce soit ni utiliser un accessoire non recommandé.

• Ce produit contient des substances chimiques reconnues par l'État de la Californie comme causant le cancer, des anomalies congénitales ou d'autres effets nuisibles sur la reproduction. *Se laver minutieusement les mains après avoir utilisé le produit.*

• Le non-respect de ces directives peut provoquer des dommages matériels ou des blessures graves ou mortelles.

## CONSÉQUENCES EN CAS DE SITUATIONS DANGEREUSES

### AVERTISSEMENT

L'inobservance des CONSIGNES D'UTILISATION, des MISES EN GARDE, des CONSIGNES D'ENTRETIEN ainsi que des MÉTHODES POUR ÉVITER LES SITUATIONS DANGEREUSES peut causer des accidents ayant pour conséquences des dommages matériels ou des blessures corporelles graves ou mortelles.

## MANUEL D'OPERATION

### INSTALLATION

**PRIERE DE CONSULTER LA VUE ÉCLATÉE DU PRODUIT DANS LE PRÉSENT MANUEL AFIN D'IDENTIFIER LES PIÈCES.**

1. Pour installer le manche (pièce no 54) dans le manchon d'assemblage (pièce no 32), aligner la partie tubulaire du manche avec le plus grand orifice du manchon d'assemblage, puis insérer la tige de retenue dans le plus petit orifice du manchon.
2. S'assurer que la tige de retenue est en position abaissée/verrouillée avant de l'insérer dans le manchon. Une fois la partie tubulaire du manche et la tige de retenue bien alignées avec leurs orifices respectifs sur le manchon, pousser le manche dans le manchon de manière à ce que la partie tubulaire s'introduise dans le mécanisme de la soupape de relâchement situé dans la partie inférieure du manchon et que la tige de retenue s'introduise dans un des trois orifices du cadre (pièce no 1).
3. Faire pivoter la poignée en « T » du manche de manière à ce qu'elle soit parfaitement alignée avec le cric avant de serrer le boulon (pièce no 36) et l'écrou (pièce no 35) et l'écrou (pièce no 34). Serrer le boulon et l'écrou jusqu'à ce que la poignée ne puisse plus pivoter. Libérer la tige de retenue en tirant sur le levier et en introduisant le levier dans la fente située dans la partie supérieure du manche. Le manche devrait maintenant pouvoir être levé et abaissé librement.
4. Pour vérifier l'alignement du manche dans le manchon d'assemblage, s'assurer que la tige de retenue s'introduit correctement dans les trois orifices du cadre. De plus, tourner le bouton de la soupape de relâchement (situé sur le dessus du manche) vers la gauche puis vers la droite pour vérifier que le joint universel situé à l'avant et sous le manchon d'assemblage tourne simultanément.
5. Avant l'utilisation : De l'air peut être emprisonné dans le système hydraulique.

#### POUR PURGER L'AIR DU SYSTÈME HYDRAULIQUE :

- a. Tourner le bouton situé sur le dessus du manche dans le sens horaire, jusqu'à ce qu'il soit bien serré, puis le tourner de deux tours complets dans le sens antihoraire.
- b. Appuyer environ 15 fois sur la pompe à pied (pièce no 33).
- c. Tourner le bouton sur le dessus du manche dans le sens horaire, jusqu'à ce qu'il soit bien serré.
- d. Appuyer sur la pompe à pied jusqu'à ce que le bras de levage atteigne la hauteur maximale. Chaque pression de la pompe à pied devrait produire un mouvement de levée complet et uniforme.
- e. Si un mouvement complet ne se produit pas à chaque pression de la pompe à pied, répéter les étapes « a » à « d » jusqu'à ce que l'air soit complètement purgé du système.

### MODE D'EMPLOI



Ce symbole sert à identifier les risques de blessures dans la rubrique MODE D'EMPLOI. Suivre les consignes afin d'éviter les risques de blessure ou de mort.

**IMPORTANT:** Avant d'effectuer une tentative de levage d'un véhicule quelconque, consulter le manuel du propriétaire du véhicule pour en connaître les points d'appuis recommandés par le constructeur.

#### MODE D'EMPLOI :

1. **Pour lever la charge :** Tourner le bouton sur le dessus du manche dans le sens horaire, jusqu'à ce qu'il soit bien serré. Placer le cric sous la charge. Lever et abaisser le manche ou appuyer sur la pompe à pied pour faire lever le bras de levage jusqu'à la charge. Lorsque la selle située à l'extrémité du bras de levage s'approche de la charge, replacer le cric de manière à ce que la selle entre solidement en contact avec la charge et que celle-ci soit centrée sur la selle. S'assurer que la selle est positionnée correctement. Prendre note que la pompe à pied doit être utilisée uniquement pour lever rapidement la selle jusqu'à la charge. Le manche doit ensuite être utilisé pour faire lever la charge. Lever la charge jusqu'à la hauteur désirée. Placer des chandelles de capacité suffisante aux endroits recommandés par le fabricant pour soutenir solidement le véhicule soulevé. **NE PAS SE GLISSER SOUS LE VÉHICULE PENDANT LE LEVAGE DU VÉHICULE OU PENDANT LE RETRAIT DES CHANDELLES!** Une fois que les chandelles sont en place, tourner TRÈS LENTEMENT dans le sens antihoraire le bouton sur le dessus du manche. Abaisser la charge sur les chandelles. Inspecter les chandelles et la charge pour s'assurer que l'installation est stable et sécuritaire. Répéter les étapes précédentes si l'installation n'est pas stable ou sécuritaire. **REMARQUE :** Une fois la levée à l'aide du manche terminée, le manche peut être verrouillé dans l'une des trois positions possibles. Généralement, on verrouille le manche dans une des trois positions pour l'empêcher de nuire ou de bouger, ou lors du déplacement du cric dans l'atelier.
2. **Pour abaisser la charge :** Suivre les directives de la section « Pour lever la charge » des DIRECTIVES D'UTILISATION afin de soulever la charge au-dessus des chandelles. Une fois que la charge n'est plus soutenue par les chandelles, retirer les chandelles et les mettre à l'écart de la surface de travail. Tourner le bouton sur le dessus du manche très lentement et dans le sens antihoraire, jusqu'à ce que la charge soit complètement abaissée au sol. Une fois que la selle du cric est libérée de la charge, retirer le cric. **MISE EN GARDE :** Garder les mains et les pieds à l'écart du mécanisme à charnière du cric.

### ENTRETIEN PRÉVENTIF



Ce symbole sert à identifier les risques de blessures dans la rubrique ENTRETIEN PRÉVENTIF. Suivre les consignes afin d'éviter les risques de blessure ou de mort.

1. Toujours entreposer le cric dans un endroit où il sera protégé des intempéries, des vapeurs corrosives, de la poussière abrasive ou d'autres éléments nocifs. Le cric doit être exempt d'eau, de neige, de sable et de particules avant l'utilisation.
2. Le cric doit être lubrifié régulièrement pour prévenir l'usure prématurée des pièces. Une graisse à usage général doit être appliquée sur tous les raccords de graissage, les roulettes pivotantes, les roulettes de l'essieu avant, le bras de levage, les écrous de l'axe d'articulation à la base du manche, le mécanisme de relâchement et autres surfaces de contact.

## ENTRETIEN PRÉVENTIF (SUITE)

3. À moins d'une fuite, il ne devrait pas être nécessaire de remplir le réservoir de liquide hydraulique. Toute fuite doit être immédiatement réparée par un centre de réparation autorisé, dans un environnement sans poussières.
- IMPORTANT:** Pour prévenir les dommages aux joints d'étanchéité et la défectuosité du cric, ne jamais utiliser d'alcool, de liquide à freins hydrauliques ni d'huile à transmission dans le cric. Use aceite hidráulico de Chevron AW 150 32 o, su equivalente, Unocal Unax AW150.
4. Le propriétaire du cric doit s'assurer que les étiquettes apposées sur le cric demeurent propres et lisibles. Utiliser une solution savonneuse douce pour nettoyer les surfaces externes du cric, mais pas les composantes hydrauliques mobiles.
5. Inspecter le cric avant chaque utilisation. Ne pas utiliser le cric si une de ses pièces est craquée, brisée, déformée ou semble endommagée ou encore si du liquide hydraulique fuit. Ne pas utiliser le cric s'il a été modifié ou si des pièces sont lâches ou manquantes. Prendre les mesures correctives nécessaires avant d'utiliser le cric de nouveau.
6. Toute réparation des composantes hydrauliques pendant la période de garantie doit être effectuée par un centre de réparation autorisé.

## VÉRIFICATION

Le propriétaire et/ou utilisateur doit posséder une compréhension des directives de fonctionnement et des mises en garde du fabricant, avant d'utiliser ce cric utilitaire. Le personnel impliqué dans l'utilisation de cette pièce d'équipement doit être prudent, compétent, bien entraîné et qualifié au fonctionnement sécuritaire et à l'utilisation adéquate de l'équipement, au moment de l'entretien des véhicules et de leurs composantes. On devrait insister particulièrement sur la compréhension des renseignements touchant les mises en garde. Si l'utilisateur ne parle pas couramment l'anglais, les directives du fabricant et les mises en garde devraient être lues et discutées par l'acheteur /propriétaire avec l'utilisateur dans sa langue maternelle, pour s'assurer de la bonne compréhension du contenu par l'utilisateur. Le propriétaire et / ou l'utilisateur doit étudier et conserver les directives du fabricant, pour référence éventuelle. Relativement aux étiquettes de mises en garde et aux manuels de directives, le propriétaire et / ou l'utilisateur est responsable de s'assurer qu'ils soient maintenus lisibles et intacts. Les étiquettes de remplacement et la littérature sont disponibles auprès du fabricant.

## ENTREPOSAGE ADÉQUAT

Il est conseillé d'entreposer le cric dans un endroit sec; toutes les roues doivent être en contact avec le sol sur une surface relativement rigide.

## DÉPANNAGE

**Important :** Les crics de levage sont des mécanismes autonomes qui servent à soulever des charges et non à soutenir une charge partielle de véhicule. Conformément à normes de l'ASME-PALD, portant sur le test de soutien d'une charge : « Une charge qui ne dépasse pas la capacité nominale...ne s'abaissera pas de plus 1/8 po (3,18 mm) la première minute, et ne s'abaissera pas de plus de 0,1875 po (4,76) au bout de 10 minutes. » Une fuite en-deçà de cette marge est considérée normale et n'est pas considérée comme un vice de fabrication pouvant se réclamer de la garantie.

PROBLÈME	ACTION
1. L'unité ne lèvera pas la charge.	Purger l'air du système hydraulique en suivant la procédure selon la configuration.
2. L'unité ne supportera pas la charge ou est 'spongieuse' sous la charge.	Purger l'air du système hydraulique comme mentionné ci-dessus.
3. L'unité ne lèvera pas à hauteur complète.	Purger l'air du système hydraulique comme mentionné ci-dessus ou vérifier le niveau de l'huile dans le réservoir.
4. La poignée tend à augmenter vers le haut tandis que l'unité est sous la charge.	Pompez la poignée rapidement plusieurs fois de pousser l'huile après des robinets à tournant sphérique dans l'unité de puissance.
5. L'unité ne fonctionne toujours pas.	Pour consulter la liste complète des centres de réparation de systèmes hydrauliques autorisés, rendez-vous au <a href="http://www.toolwarrantyrepair.com">www.toolwarrantyrepair.com</a> .

## RESPONSABILITÉ DU PROPRIÉTAIRE/UTILISATEUR

Le propriétaire et/ou utilisateur doit posséder une compréhension des directives de fonctionnement et des mises en garde du fabricant, avant d'utiliser ce cric utilitaire. Le personnel impliqué dans l'utilisation de cette pièce d'équipement doit être prudent, compétent, bien entraîné et qualifié au fonctionnement sécuritaire et à l'utilisation adéquate de l'équipement, au moment de l'entretien des véhicules et de leurs composantes. On devrait insister particulièrement sur la compréhension des renseignements touchant les mises en garde. Si l'utilisateur ne parle pas couramment l'anglais, les directives du fabricant et les mises en garde devraient être lues et discutées par l'acheteur /propriétaire avec l'utilisateur dans sa langue maternelle, pour s'assurer de la bonne compréhension du contenu par l'utilisateur. Le propriétaire et / ou l'utilisateur doit étudier et conserver les directives du fabricant, pour référence éventuelle. Relativement aux étiquettes de mises en garde et aux manuels de directives, le propriétaire et / ou l'utilisateur est responsable de s'assurer qu'ils soient maintenus lisibles et intacts. Les étiquettes de remplacement et la littérature sont disponibles auprès du fabricant.

## GARANTIE LIMITÉE

### SUNEX INTERNATIONAL, INC. GARANTI À SES CLIENTS QUE LES PRODUITS DE L'ENTREPRISE SUNEX TOOLS<sup>®</sup> SONT EXEMPTS DES DÉFAUTS DE MAIN-D'ŒUVRE ET DE MATÉRIAUX.

Sunex International, Inc. réparera ou remplacera ses outils de marque Sunex Tools<sup>®</sup> qui ne donnent pas un service satisfaisant à cause d'un défaut de main d'œuvre ou de matériau, selon les termes et conditions décrits ci-dessous dans les plans de garantie correspondant à ce produit spécifique. Ce produit a une garantie de UN AN. Pendant la période de garantie, Sunex Tools<sup>®</sup> réparera ou remplacera, à sa seule discrétion, toute pièce ou tout appareil dont il a été déterminé qu'il comporte un défaut de matériau ou de main d'œuvre.

#### Autres informations importantes sur la garantie...

Cette garantie ne couvre pas les dommages à de l'équipement ou à des outils modifiés, sujets à des abus ou à une utilisation incorrecte, ou encore endommagés; elle ne couvre pas les réparations ou le remplacement effectué par quiconque autre que Sunex Tools<sup>®</sup> ou ses centres de services de garantie autorisés. L'obligation qui précède constitue la seule responsabilité de Sunex Tools<sup>®</sup> en vertu de cette garantie ou de toute garantie implicite; et en aucun cas Sunex Tools ne pourra être responsable pour des dommages indirects ou consécutifs.

**Remarque :** Certaines juridictions ne permettent pas l'exclusion ou la limitation des dommages indirects ou consécutifs; la limitation ou l'exclusion ci-dessus pourrait donc ne pas s'appliquer à votre cas. Retourner l'équipement ou les pièces à Sunex Tools<sup>®</sup>, ou à un centre de service de garantie autorisé, port prépayé. S'assurer d'inclure votre nom, votre adresse, une preuve de la date d'achat et la description de la défaillance présumée. Pour toutes questions concernant le service de garantie, communiquez avec les « Outils Sunex ». Cette garantie vous donne des droits légaux spécifiques et vous pouvez également avoir d'autres droits qui varient d'un état à l'autre. Les trousseaux de réparation et les pièces de rechange sont disponibles pour plusieurs des outils Sunex, peu importe si les produits sont toujours couverts par un plan de garantie.

#### ADRESSE D'EXPÉDITION:

Sunex Tools  
315 Hawkins Rd.  
Travelers Rest, South Carolina 29690

#### ADRESSE POSTALE:

Sunex Tools  
P.O. Box 1233  
Travelers Rest, South Carolina 29690