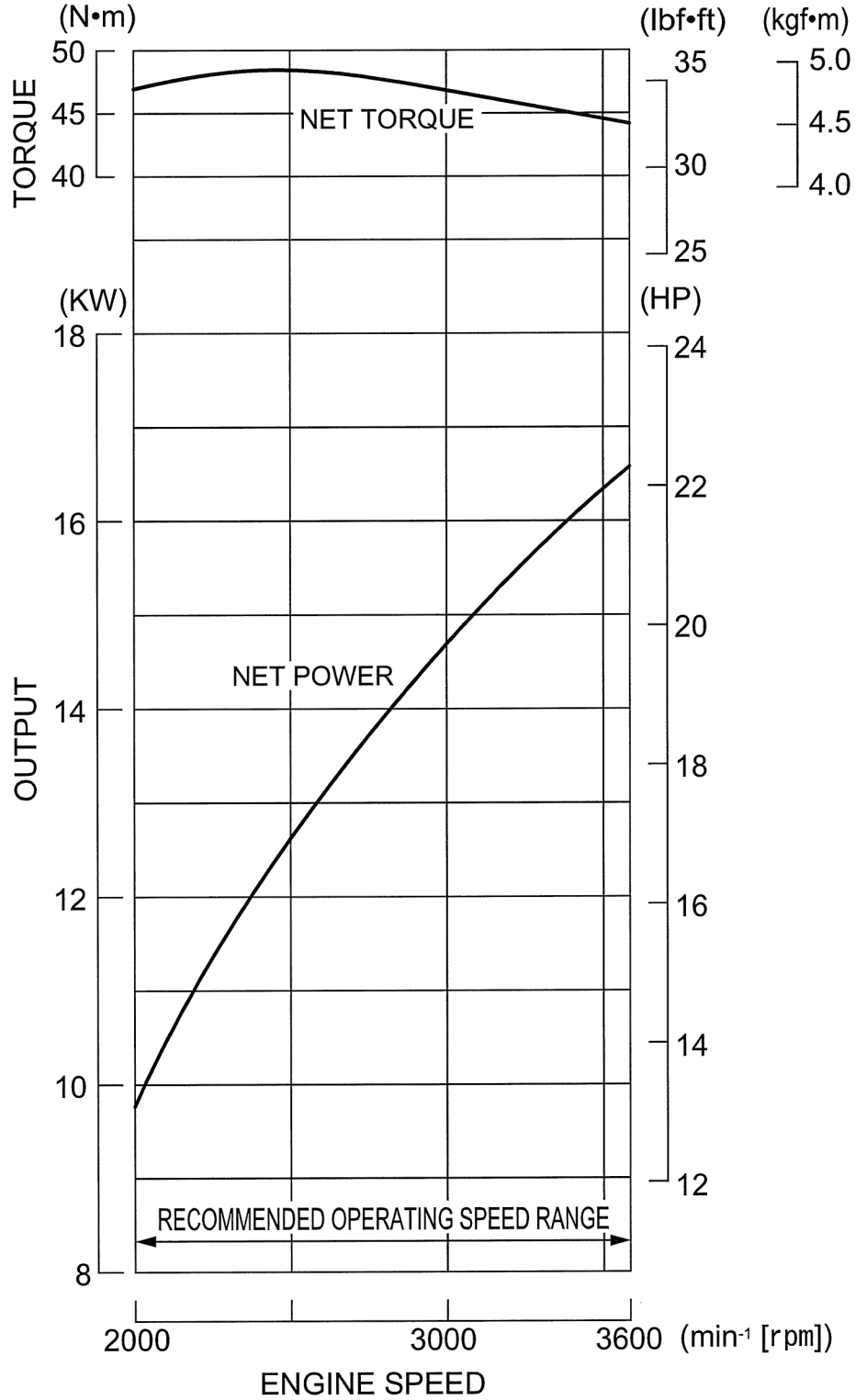
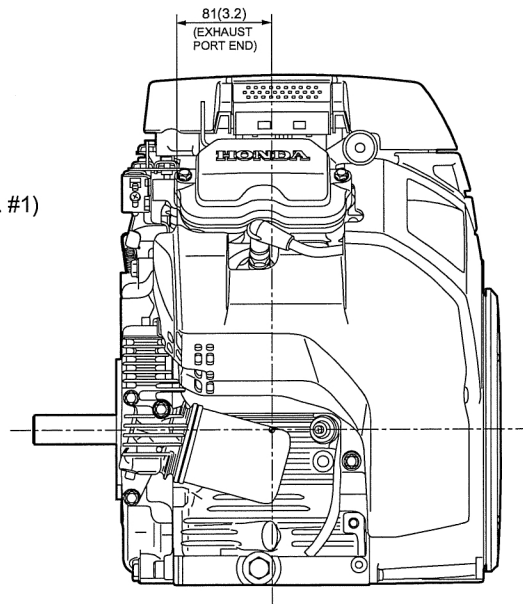
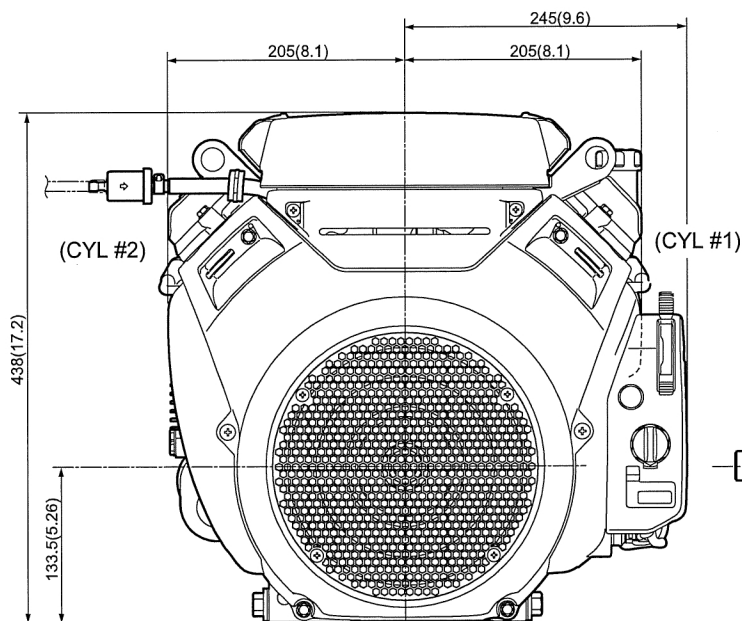
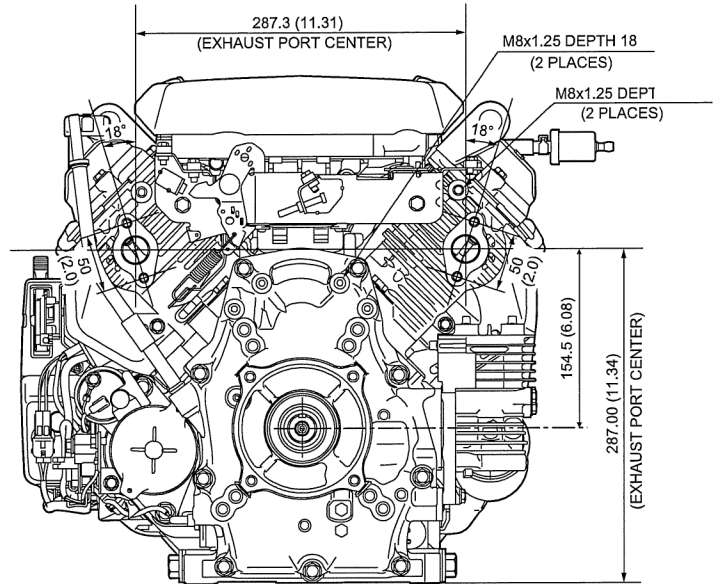
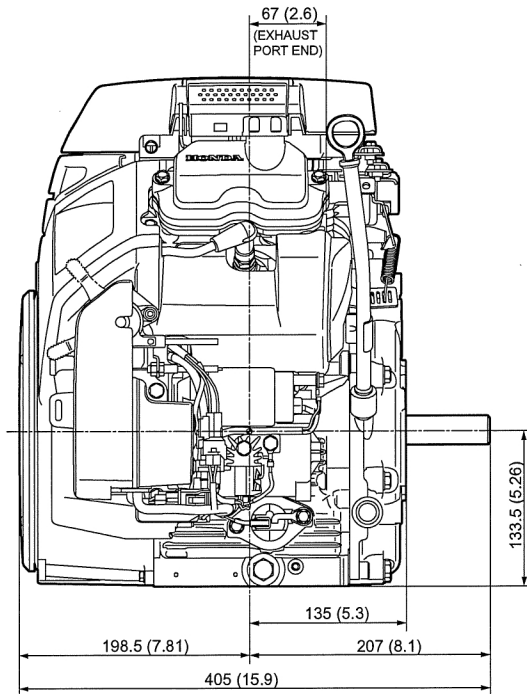


# PERFORMANCE CURVES



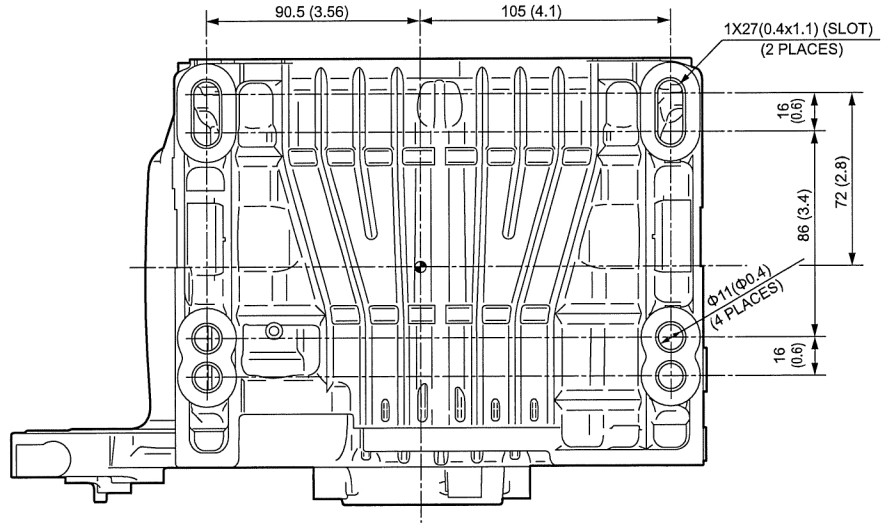
# DIMENSIONAL DRAWINGS

Unit: mm (in)



GX690R

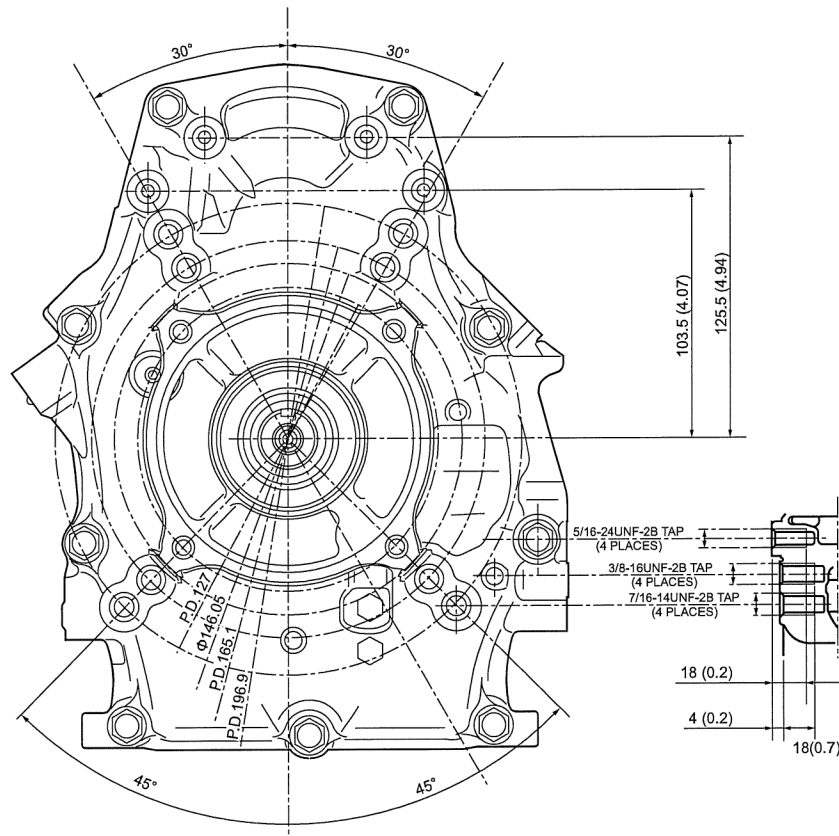
# ENGINE BASE MOUNT DIMENSIONAL DRAWING



# PTO DIMENSIONAL DRAWINGS

## MOUNT PART

Unit: mm (in)



## T TYPE

Unit: mm (in)

