

**OWNER'S MANUAL**

**CONTENTS:**

Page 1 Specifications  
 2 Warning Information  
 3 Setup and Operating Instructions  
 4 Preventative Maintenance and Troubleshooting  
 5 4412 Exploded View Drawing and Parts List  
 6 Warranty Information



<b>4412 - SPECIFICATIONS</b>	
Capacity.....	12 ton
Power Lift.....	9.3"
Closed Height.....	9.1"
Raised Height.....	18.3"
Base Size.....	5.7" x 5"
Shipping Weight.....	16.1 lbs

## WARNING INFORMATION



This is the safety alert symbol. It is used to alert you to potential personal injury hazards. Obey all safety messages that follow this symbol to avoid possible injury or death.

### ⚠️ AVERTISSEMENT

**WARNING:** Indicates a hazardous situation which, if not avoided, could result in death or serious injury.

---

### IMPORTANT: READ THESE INSTRUCTIONS BEFORE OPERATING

BEFORE USING THIS DEVICE, READ THIS MANUAL COMPLETELY AND THOROUGHLY, UNDERSTAND ITS OPERATING PROCEDURES, SAFETY WARNINGS AND MAINTENANCE REQUIREMENTS.

It is the responsibility of the owner to make sure all personnel read this manual prior to using the device. It is also the responsibility of the device owner to keep this manual intact and in a convenient location for all to see and read. If the manual or product labels are lost or not legible, contact Sunex for replacements. If the operator is not fluent in English, the product and safety instructions shall be read to and discussed with the operator in the operator's native language by the purchaser/owner or his designee, making sure that the operator comprehends its contents.

---

### THE NATURE OF HAZARDOUS SITUATIONS

#### ⚠️ AVERTISSEMENT

The use of portable automotive lifting devices is subject to certain hazards that cannot be prevented by mechanical means, but only by the exercise of intelligence, care, and common sense. It is therefore essential to have owners and personnel involved in the use and operation of the equipment who are careful, competent, trained, and qualified in the safe operation of the equipment and its proper use. Examples of hazards are dropping, tipping or slipping of loads caused primarily by improperly securing loads, overloading, off-centered loads, use on other than hard level surfaces, and using equipment for a purpose for which it was not designed.

---

### METHODS TO AVOID HAZARDOUS SITUATIONS

#### ⚠️ AVERTISSEMENT



- Read, study, understand and follow all instructions before operating this device.

- Inspect the jack before each use. Do not use jack if damaged, altered, modified, in poor condition, leaking hydraulic fluid, or unstable due to loose or missing components. Make corrections before using.



- Lift only at points of the vehicle as specified by the vehicle manufacturer.

- User and bystanders must wear eye protection that meets ANSI Z87.1 and OSHA standards.

- Do not exceed rated capacity.



- No persons should be under vehicle when jack is in use.

- **This is a lifting device only. Immediately after lifting, support the vehicle with appropriate means.**

- No alterations shall be made to this product.

- Use only on a hard level surface.

- Always lower the jack slowly and carefully.

- Do not use saddle adaptors or saddle extenders between the stock lifting saddle and the load.

- Center load on saddle. Be sure setup is stable before working on vehicle.

- This product may contain one or more chemicals known to the State of California to cause cancer and birth defects or other reproductive harm. *Wash hands thoroughly after handling.*

- Failure to heed these warnings may result in serious or fatal personal injury and/or property damage.

---

### CONSEQUENCES OF NOT AVOIDING HAZARDOUS SITUATIONS

#### ⚠️ WARNING

Failure to read this manual completely and thoroughly, failure to understand its OPERATING INSTRUCTIONS, SAFETY WARNINGS, MAINTENANCE INSTRUCTIONS and comply with them, and failure to comply with the METHODS TO AVOID HAZARDOUS SITUATIONS could cause accidents resulting in serious or fatal personal injury and/or property damage.

## OWNER'S MANUAL

### SETUP INSTRUCTIONS



This is the safety alert symbol used for the ASSEMBLY section of this manual to alert you to potential personal injury hazards. Obey all instructions to avoid possible injury or death.

1. Refer to the exploded view parts drawing in this manual to identify parts mentioned in this setup procedure.
2. The three piece handle can be slip fit together to form a complete handle length. Loosely slipping the pieces together will enable you to disconnect them at a later time for storage.
3. Sometimes air gets trapped in the hydraulic system during shipping and/or handling.

#### **PURGING AIR FROM THE HYDRAULIC SYSTEM**

- a. Attach the end of the handle to the jack's release valve and turn the handle in a counterclockwise direction two full revolutions.
- b. Install the handle in the pump handle receiver and pump the jack about 15 incremental pump strokes.
- c. Attach the end of the handle on the release valve again and turn the handle in a clockwise direction until tight.
- d. Proceed to pump the handle until the ram raises to maximum height.
- e. Repeat steps "a" through "d" until all air is purged from the system.

### OPERATING INSTRUCTIONS



This is the safety alert symbol used for the OPERATING INSTRUCTIONS section of this manual to alert you to potential personal injury hazards. Obey all instructions to avoid possible injury or death.

**IMPORTANT:** Before attempting to raise any vehicle, check vehicle service manual for recommended lifting surfaces.

1. Become familiar with the identification and function of the operating jack components. The ram is the shaft that comes out of the jack when you activate the pump piston.
2. Chock the vehicle's tires that will not be lifted off the ground prior to lifting the vehicle and if available, apply the emergency brake or any other method of braking.
3. Position the jack at the designated lift point. Estimate the required ram travel to raise the vehicle to the desired height.
4. Turn the release valve in a clockwise direction until tight.
5. With the jack in the lowered position, place the jack under the vehicle, but do not put your body under the vehicle.  
**IMPORTANT:** Use the vehicle manufacturer's recommended lifting procedures and lifting points before lifting loads.
6. Once the jack is in place, activate the pump until the top of the ram comes close to the designated lift point. Make sure the designated lift point is flat, parallel to the ground and free from grease, any kind of lubricant, and debris. Proceed with pumping the jack in order to lift the vehicle to the desired height. During lifting, inspect the position of the jack in relation to the ground and the ram in relationship to the load to prevent any unstable conditions from developing. If conditions look like they are becoming unstable, slowly lower the load and make appropriate setup corrections after the load is fully lowered.
7. When the vehicle or load is lifted to its desired height, immediately place safety support stands (jack stands) in their designated locations and adjust the stands' support columns up as close to the designated vehicle support points as possible. Although jack stands are individually rated, they are to be used in a matched pair to support one end of the vehicle only. Stands are not to be used to simultaneously support both ends or one side of a vehicle. Slowly and carefully turn the release knob in a counterclockwise direction to gently lower the vehicle onto the safety support stands (jack stands). Make sure the vehicle is safely supported by the safety support stands' (jack stands) saddles and not the locating lugs of the saddles. Inspect the relationship of the safety support stands (jack stands) with the ground and the safety support stand (jack stand) columns and saddles with the vehicle to prevent any unstable conditions. If conditions look unstable, close the jack's release valve and pump the jack to raise the vehicle off the safety support stands (jack stands). Make the appropriate setup changes, and slowly and carefully lower the vehicle onto the safety support stand saddles.
8. After the work is done, close the release valve and pump the jack until it is high enough to remove the vehicle or load from the safety support stand saddles. Be sure load is stable. If it is not, lower load back onto safety support stands. Make appropriate setup corrections and repeat the step again. Remove the safety support stands from under the vehicle, being very careful not to move the vehicle.
9. Turn the release valve in a counterclockwise direction very slowly and carefully to lower the vehicle or load down to the ground.

## PREVENTATIVE MAINTENANCE



This is the safety alert symbol used for the PREVENTATIVE MAINTENANCE section of this manual to alert you to potential personal injury hazards. Obey all instructions to avoid possible injury or death.

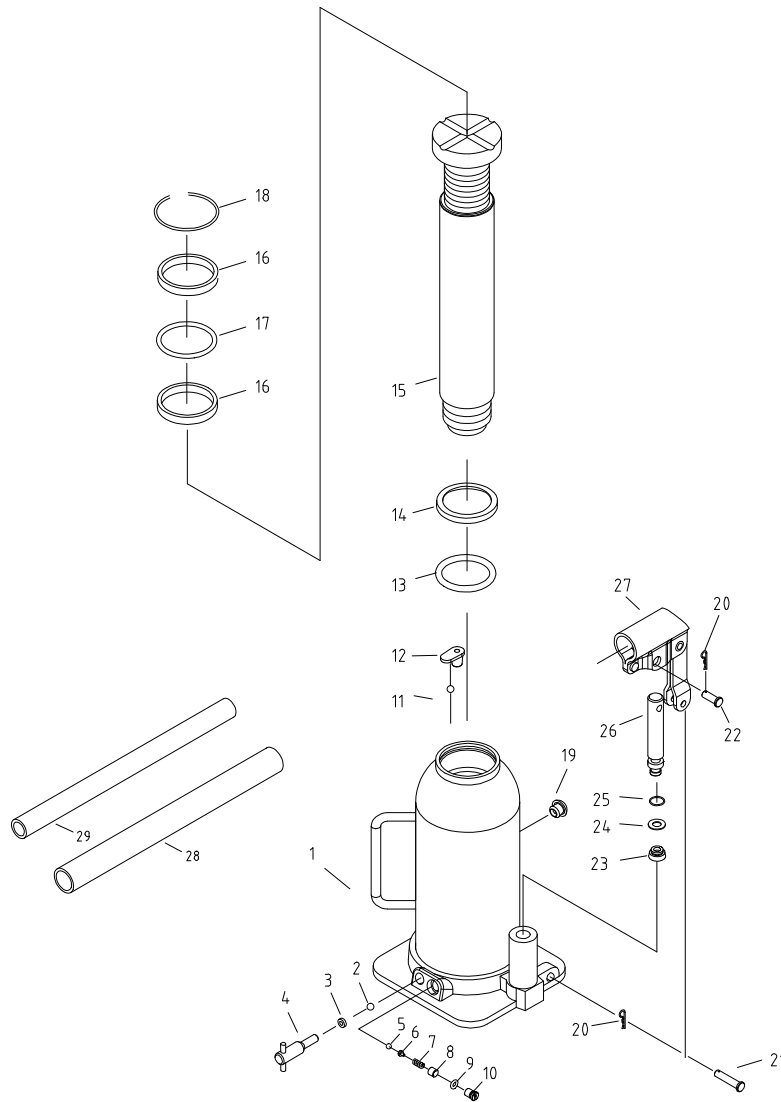
**IMPORTANT:** Any jack found to be defective as a result of worn parts due to lack of lubrication, or hydraulic system contaminated with water, rust and/or foreign materials is not eligible for warranty consideration.

1. Always store the jack in a well protected area where it will not be exposed to inclement weather, corrosive vapors, abrasive dust, or any other harmful elements. The jack must be cleaned of water, snow, sand, grit, oil, grease or other foreign matter before using.
2. The jack must be lubricated periodically in order to prevent premature wearing of parts. A general purpose grease must be applied to all pivot points with exception to hydraulic components. Do not lubricate any portion of the lift saddle and make sure the saddle is free from grease, any kind of lubricant, or debris before using the jack.
3. It should not be necessary to refill or top off the reservoir with hydraulic fluid unless there is an external leak. An external leak requires immediate repair which must be performed in a dirt-free environment by qualified hydraulic repair personnel who are familiar with this equipment. Authorized Service Centers are recommended. **IMPORTANT:** In order to prevent seal damage and jack failure, never use alcohol, hydraulic brake fluid, or transmission oil in the jack. Use hydraulic jack oil.
4. Every jack owner is responsible for keeping the jack label clean and readable. Use a mild soap solution to wash external surfaces of the jack but not any moving hydraulic components.
5. Do not attempt to make any hydraulic repairs unless you are a qualified hydraulic repair person that is familiar with this equipment.

## TROUBLESHOOTING

PROBLEM	ACTION
1. Unit will not lift rated load.	Purge air from hydraulic system by following procedure under SETUP.
2. Unit will not sustain rated load or feels "spongy" under rated load.	Purge air from hydraulic system as above.
3. Unit will not lift to full height.	Purge air from hydraulic system as above.
4. Handle tends to raise up while the unit is under rated load.	Pump the handle rapidly several times to push oil past ball valves in power unit.
5. Unit still does not operate.	Contact Sunex authorized hydraulic service center.

**4412 PARTS DRAWING AND PARTS LIST**



Ref No.	Part No.	Description	Qty	Ref No.	Part No.	Description	Qty
1		Main Cylinder Base	1	18	**	Retaining Ring	1
2	*	Check Ball	1	19	*	Fill Plug	1
3	*	O-Ring	1	20		Clip (incl. w/#27)	2
4	RS441204	Release Valve	1	21		Long Linkage Pin	1
5	*	Check Ball	1	22		Short Linkage Pin (incl. w/#27)	1
6	*	Ball Seat	1	23	*	Dust Cover	1
7	*	Overload Spring	1	24	*	Backup Ring	1
8	*	Adjustment Screw	1	25	*	O-Ring	1
9	*	O-Ring	1	26	RS441226	Pump Plunger	1
10		Cover Screw	1	27	RS441227	Handle Socket (incl. #20 & #22)	1
11	*	Check Ball	1	28	RS441228	Front Handle	1
12	*	Ball Retainer	1	29	RS441229	Rear Handle	1
13	*	O-Ring	1				
14	*	Backup Ring	1				
15	RS441215	Ram	1				
16	**	Cylinder Bearing	2				
17	*	O-Ring	1				

\* Available in repair kit RS4412RK  
 \*\* Available in hardware kit RS4412HK  
 Product Label Kit RS4412PLK  
 Only items identified by part number are available separately.

## LIMITED WARRANTY

### **SUNEX INTERNATIONAL, INC. WARRANTS TO ITS CUSTOMERS THAT THE COMPANY'S SUNEX TOOLS® BRANDED PRODUCTS ARE FREE FROM DEFECTS IN WORKMANSHIP AND MATERIALS.**

Sunex International, Inc. will repair or replace its Sunex Tools® branded products which fail to give satisfactory service due to defective workmanship or materials, based upon the terms and conditions of the following described warranty plans attributed to that specific product.

This product carries a ONE-YEAR warranty. During this warranty period, Sunex Tools will repair or replace at our option any part or unit which proves to be defective in material or workmanship.

#### **Other important warranty information**

This warranty does not cover damage to equipment or tools arising from alteration, abuse, misuse, damage and does not cover any repairs or replacement made by anyone other than Sunex Tools or its authorized warranty service centers. The foregoing obligation is Sunex Tools' sole liability under this or any implied warranty and under no circumstances shall we be liable for any incidental or consequential damages.

**NOTE:** Some states do not allow the exclusion or limitation of incidental or consequential damages, so the above limitation or exclusion may not apply to you.

Return equipment or parts to an authorized service center, transportation prepaid. Be certain to include your name and address, evidence of the purchase date, and description of the suspected defect. If you have any questions about warranty service, please write to Sunex Tools. This warranty gives you specific legal rights and you may also have other rights which vary from state to state. Repair kits and replacement parts are available for many of Sunex Tools products regardless of whether or not the product is still covered by a warranty plan.

#### **SHIPPING ADDRESS:**

Sunex Tools  
315 Hawkins Rd.  
Travelers Rest, South Carolina 29690

#### **MAILING ADDRESS:**

Sunex Tools  
P.O. Box 1233  
Travelers Rest, South Carolina 29690

**MANUAL DEL PROPIETARIO**

**CONTENTS:**

Página 7 Especificaciones  
 8 Información de advertencia  
 9 Instrucciones de montaje y purga de aire  
 10 Mantenimiento preventivo y diagnóstico de averías  
 11 Información de garantía



**4412 - ESPECIFICACIONES**

Capacidad .....	12 toneladas
Elevador de potencia .....	236.22 mm (9.3")
Altura cerrada.....	231 mm (9.1")
Máxima altura.....	457.2 mm (18.3")
Tamaño de la base .....	145 mm x 126 mm (5.7" x 5")
Peso.....	7.3 kg (16.1 lbs.)

## INFORMACIÓN DE ADVERTENCIA



Este símbolo indica una alerta de seguridad y se usa para advertir sobre peligro de accidentes personales. Observe toda la información de seguridad que sigue a este símbolo para evitar la posibilidad de que ocurran lesiones o muerte.

### ⚠ ADVERTENCIA

**PRECAUCIÓN:** Indica una situación peligrosa que si no se evita, puede provocar la muerte o lesiones graves.

### IMPORTANTE: LEA ESTAS INSTRUCCIONES ANTES DE USAR EL DISPOSITIVO

ANTES DE USAR ESTE DISPOSITIVO, LEA ESTE MANUAL DETENIDAMENTE. PROCURE ENTENDER SUS PROCEDIMIENTOS OPERATIVOS, ADVERTENCIAS DE SEGURIDAD Y FORMA DE MANTENIMIENTO.

El propietario es responsable de asegurarse de que todo el personal lea este manual antes de usar el dispositivo. Asimismo, es responsabilidad del propietario mantener este manual en buenas condiciones en una ubicación conveniente para su consulta. Si las etiquetas del manual o producto son ilegibles o no están en su lugar, deberá ponerse en contacto con Sunex para obtenerlas gratis. El comprador/propietario o una persona designada deberá leer y comentar el producto y las advertencias de seguridad en la lengua materna del operario que no hable inglés fluido, a fin de asegurarse de que comprende el contenido.

### NATURALEZA DE LAS SITUACIONES DE RIESGO

#### ⚠ ADVERTENCIA

El uso de dispositivos de elevación de automotores se halla sujeto a ciertos riesgos que no se pueden prever por medios mecánicos, sino por la información, la diligencia y el sentido común. Por lo tanto, es esencial que el uso del dispositivo quede en manos de los propietarios y de personal que sea cuidadoso, competente, capacitado y habilitado para realizar una operación segura. Algunos ejemplos de peligros son dejar caer, inclinar o resbalar las cargas, principalmente como consecuencia de una sujeción incorrecta, sobrecarga, posición no centrada, uso en superficies no niveladas o firmes, así como usar el dispositivo con un fin para el que no está diseñado.

### FORMAS DE EVITAR LAS SITUACIONES DE RIESGO

#### ⚠ ADVERTENCIA



• Lea, estudie, comprenda y siga todas las instrucciones antes de operar este dispositivo.

• Inspeccione el gato antes de cada uso. No use el gato si éste está dañado, modificado, cambiado, si está en pobres condiciones, si hay fugas de líquido hidráulico, o si está inestable debido a ferretería o partes flojas o faltantes. Asegúrese de realizar correcciones antes del uso.



• Levante sólo en los puntos del vehículo según sean especificados por parte del fabricante del vehículo.

• Los usuarios y espectadores deberán llevar protección de ojos que cumpla con las normas de Z87.1 de ANSI y las de OSHA.

• No use el gato para elevar pesos superiores a su capacidad.



• No deberá haber personas debajo del vehículo cuando el gato está en uso.

• **Este es un dispositivo de elevación solamente. Inmediatamente después de levantarlo, soporte el vehículo con los medios apropiados.**

• No se deberá realizar ninguna modificación a este producto.

• Uso en un servicio llano duro.

• Baje el gato siempre despacio y con cuidado.

• No use los adaptadores ni expansores de silla entre la silla de elevación del fabricante y la carga.

• Centre la carga en el asiento. No use los birlos de la silla para soportar la carga.

• Este producto contiene químicos conocidos en el estado por ser causantes de cáncer y otros defectos de nacimiento y otros daños reproductivos nocivos. *Lávese las manos a fondo después del manejo.*

• No cumplir con estas indicaciones puede provocar lesiones graves o peligro de muerte, así como daños materiales.


### CONSECUENCIAS DE NO PREVENIR LAS SITUACIONES DE RIESGO

#### ⚠ ADVERTENCIA

No leer, comprender u observar todo el contenido de este manual en relación con sus INSTRUCCIONES DE USO, ADVERTENCIAS DE SEGURIDAD y FORMA DE MANTENIMIENTO, así como desatender las FORMAS DE EVITAR LAS SITUACIONES DE RIESGO, puede provocar accidentes que tengan como consecuencia lesiones graves, peligro de muerte o daños materiales.

## MANUAL DEL PROPIETARIO

### INSTRUCCIONES DE MONTAJE DEL GATO DE BOTELLA


 Este símbolo indica una alerta de seguridad y se utiliza en la parte de este manual que versa sobre las INSTRUCCIONES DE MONTAJE, con el fin de advertir sobre los peligros de accidentes personales. Observe todas las instrucciones para evitar lesiones o peligros de muerte.

1. Consulte el dibujo de partes de vista ampliada en este manual con el fin de identificar las partes mencionadas en este procedimiento de montaje.
2. Las tres piezas del mango pueden deslizarse juntas para formar la longitud completa del mango. Al deslizarlas juntas flojamente se le permitirá desconectarlas en el futuro para su almacenamiento.
3. A veces se atrapa el aire en el sistema hidráulico durante el transporte y/o maniobra.

#### **PURGANDO EL AIRE DEL SISTEMA HIDRÁULICO**

- a. Sujete el extremo del mango a la válvula de liberación del gato y gire el mango en el contrasentido de las agujas del reloj dos revoluciones completas.
- b. Instale el mango en el receptor del mango de la bombilla y bombee el gato 15 recorridos incrementales del gato.
- c. Sujete el extremo del mango sobre la válvula de liberación una vez más y gire el mango en el sentido de las agujas del reloj hasta que esté apretado.
- d. Proceda a bombear el mango hasta que se eleve el pistón hasta su máxima altura.
- e. Repita los pasos "a" al "d" hasta que se haya purgado todo el aire del sistema.

### OPERATING INSTRUCTIONS

 Este símbolo indica una alerta de seguridad y se utiliza en la parte de este manual que versa sobre las INSTRUCCIONES DE USO, con el fin de advertir sobre los peligros de accidentes personales. Observe todas las instrucciones para evitar lesiones o peligros de muerte.

**IMPORTANTE:** Antes de intentar levantar cualquier vehículo, revise el manual de servicio del vehículo para las superficies de levantamiento recomendadas.

1. Familiarícese con la identificación y funcionamiento de los componentes de operación del gato. El pistón es el eje que sale del gato una vez que se active el pistón de la bomba.
2. Previo a la elevación, calce las llantas del vehículo las que no se elevarán del piso y si es disponible, aplique el freno de emergencias o algún otro método de frenado.
3. Coloque el gato en el punto de elevación designado. Estime el recorrido requerido del pistón necesario para elevar el vehículo hasta la altura deseada.
4. Gire la válvula de liberación en el sentido de las agujas del reloj hasta que esté apretada.
5. Con el gato en la posición más baja, coloque el gato debajo del vehículo sin embargo no meta su cuerpo debajo del vehículo.  
**IMPORTANTE:** Antes de elevar alguna carga, use los procedimientos y puntos de elevación recomendados por el fabricante.
6. Una vez que el gato esté en su lugar, active la bomba hasta que la parte superior del pistón se acerque al punto de elevación designado. Asegúrese que el punto designado de elevación esté plano, paralelo al piso y libre de grasa, cualquier lubricante y escombros. Proceda con el bombeo del gato con el fin de elevar el vehículo hasta la altura deseada. Durante la elevación, inspeccione la posición del gato con relación al piso, y el pistón con relación a la carga, con el fin de prevenir el desarrollo de cualquier condición inestable. Si las condiciones aparentan ser inestables, baje la carga y realice las correcciones de montaje adecuadas después de que se haya bajado la carga completamente.
7. Cuando el vehículo o carga se eleva hasta su altura deseada, inmediatamente coloque las bases de soporte de seguridad (las bases del gato) en sus lugares designados y ajuste las columnas de soporte de la base lo más cercano posible a los puntos de soporte designados del vehículo. Aunque las bases del gato están clasificadas de forma individual, éstas se usan en pares emparejados para soportar un extremo del vehículo solamente. Las bases no deberán usarse simultáneamente para soportar ambos extremos de algún vehículo. Gire la perilla de liberación lentamente y de forma cuidadosa en el contrasentido de las agujas del reloj, con el fin de suavemente bajar el vehículo sobre las bases de soporte de seguridad (las bases del gato). Asegúrese que el vehículo esté seguramente soportado por las sillas de las bases de soporte de seguridad (las bases del gato) y no por las orejetas de las sillas. Inspeccione la relación de las bases de soporte de seguridad (las bases del gato) respecto al piso y las columnas y sillas de la base de soporte de seguridad (la base del gato) respecto al vehículo para así prevenir cualquier condición inestable. Si las condiciones aparentan estar inestables, cierre la válvula de liberación del gato y bombee el gato para elevar el vehículo de las bases de soporte de seguridad (las bases del gato). Realice los cambios de montaje apropiados, y lenta y cuidadosamente baje el vehículo sobre las sillas de la base de soporte de seguridad.
8. Después de que se haya acabado el trabajo, cierre la válvula de liberación y bombee el gato hasta que esté suficientemente alto para extraer el vehículo o carga de las sillas de las bases de seguridad. Asegúrese que la carga esté estable. Si no lo está, baje la carga nuevamente sobre las bases de soporte de seguridad. Realice las correcciones de montaje adecuadas y repita el paso de nuevo. Extraiga las bases de soporte de seguridad de debajo del vehículo, siendo cuidadoso de no mover el vehículo.
9. Gire la válvula de liberación en el contrasentido de las agujas del reloj muy lentamente y cuidadosamente con el fin de bajar el vehículo o carga hasta el piso.

## MANTENIMIENTO DE SEGURIDAD



Este símbolo indica una alerta de seguridad y se utiliza en la parte de este manual que versa sobre el MANTENIMIENTO DE SEGURIDAD, con el fin de advertir sobre los peligros de accidentes personales. Observe todas las instrucciones para evitar lesiones o peligros de muerte.

**IMPORTANTE:** A fin de prevenir daños en las juntas herméticas y fallas en el dispositivo, no use alcohol, líquido de frenos hidráulicos ni aceite de transmisión en el gato. Cualquier gato que se encuentra defectuoso como resultado de contaminantes extraños en el sistema hidráulico no es elegible para consideraciones de garantía.

1. Siempre guarde el gato en un área protegida, en donde no quede expuesto a las condiciones climáticas, gases corrosivos, sustancias abrasivas u otros materiales perjudiciales. Antes de usar, compruebe que el gato no contenga restos de agua, nieve, arena o arcilla.
2. El gato deberá lubricarse periódicamente con el fin de prevenir el desgaste prematuro de las partes. Se deberá aplicar una grasa de uso general en todos los puntos de pivote con la excepción de los componentes hidráulicos. No lubrique ninguna porción de la silla de elevación y antes de usar el gato, asegúrese que la silla esté libre de grasa, cualquier lubricante o escombros.
3. No deberá ser necesario rellenar o llenar al tope el depósito el que contiene el líquido hidráulico, al menos que haya una fuga externa. Una fuga externa requiere reparaciones inmediatas las cuales deben realizarse en un ambiente libre de suciedad por parte de personal calificado en las reparaciones hidráulicas y quienes sean familiarizados con este equipo. Se recomienda usar los centros de servicio autorizados. **IMPORTANTE:** Con el fin de prevenir daños al sello y fallas del gato, nunca use alcohol, líquido de freno hidráulico ni aceite para transmisiones con el gato. Use aceite para gatos hidráulicos.
4. Cada propietario del gato es responsable por mantener limpias y legibles las etiquetas del gato. Use una solución de jabón suave para lavar las superficies externas del gato pero sin mover ninguno de los componentes hidráulicos móviles externos.
5. No haga ningún intento para hacer ninguna reparación hidráulica al menos que usted sea un individuo calificado de reparación hidráulica y que esté familiarizado con este equipo. Las reparaciones deben llevarse a cabo por parte de un centro de servicio autorizado.

## DIAGNÓSTICO DE AVERÍAS

PROBLEMA	ACCIÓN
1. El equipo no levantará la carga nominal.	Expulsa el aire del sistema hidráulico al seguir el procedimiento bajo LAS INSTRUCCIONES DE OPERACIÓN
2. El equipo no pueda soportar toda la carga nominal o se siente "esponjoso" bajo carga nominal.	Expulsa el aire del sistema hidráulico como indicado anteriormente. esponjoso bajo la carga.
3. El equipo no levantará la carga hasta la altura normal.	Expulsa el aire del sistema hidráulico como indicado anteriormente. Revisa que los niveles de aceite no estén ni altos ni bajos.
4. El mango es propenso a elevarse cuando la unidad está bajo una carga clasificada.	Bombear el mango rápidamente varias veces con el fin de empujar el aceite más allá de las válvulas de bola en la unidad de potencia.
5. El equipo aún no funciona.	Comuníquese con Sunex por una lista completa de centros de reparación autorizados.

## **GARANTÍA LIMITADA**

### **SUNEX INTERNATIONAL, INC., LE GARANTIZA A SUS CLIENTES QUE LAS HERRAMIENTAS Y PRODUCTOS CON LA MARCA DE LA EMPRESA SUNEX TOOLS NO CONTIENEN DEFECTOS EN SU MANO DE OBRA NI MATERIAS PRIMAS.**

Sunex International, Inc., reparará o sustituirá sus productos con la marca Sunex Tools® que reflejen fallas en el funcionamiento satisfactorio debido a que la mano de obra o las materias primas estén defectuosas, tomando como base las cláusulas y condiciones de los planes de garantía descritos a continuación y asignados a ese producto específico. Este producto tiene una garantía de UN AÑO. Durante este periodo de garantía, Sunex Tools reparará o repondrá, a nuestra opción, cualquier parte o unidad la cual demuestra ser defectuosa en cuanto a material o mano de obra.

#### **Otra importante información de la garantía...**

Esta garantía no cubre daños a equipo o herramientas debido a modificaciones, abuso, mal uso o daños y no cubre ninguna reparación o sustitución hecha por ninguna persona que no sea Sunex Tools o alguno de sus centros de servicio de garantía autorizados. La obligación antes mencionada queda bajo la responsabilidad exclusiva de Sunex Tools® según se menciona o de cualquier garantía implícita y bajo ninguna circunstancia quedará bajo su responsabilidad cualquier garantía implícita ya bajo ninguna circunstancia quedará bajo su responsabilidad cualquier daño incidental o consecuencial.

**NOTA:** Algunos estados no permiten la exclusión ni limitación de daños. Devuelva el equipo o partes a un centro de servicio autorizado, con el flete prepagado. Asegúrese de incluir su nombre y dirección, comprobación de la fecha de compra, y la descripción del defecto sospechado. Si usted tiene alguna pregunta acerca del servicio de garantía, escriba por favor a Sunex Tools. Esta garantía le brinda derechos legales específicos y usted puede contar con derechos adicionales los cuales varían de estado a estado. Están disponibles equipos de reparación y partes de sustitución para muchos de los productos de Sunex Tools, independientemente del hecho de que el producto aún esté cubierto o no por un plan de garantía

#### **DIRECCIÓN A EMBARCARSE:**

Sunex Tools  
315 Hawkins Rd.  
Travelers Rest, South Carolina 29690

#### **DIRECCIÓN DE CORREOS:**

Sunex Tools  
P.O. Box 1233  
Travelers Rest, South Carolina 29690

**GUIDE DU PROPRIÉTAIRE**

**CONTENU:**

Page 12 Spécifications  
 13 Renseignements sur la mise en garde  
 14 Consignes pour l'installation et la purge d'air  
 15 Entretien préventif, Dépannage  
 16 Renseignements sur la garantie



**4412 - SPÉCIFICATIONS**

Capacité.....	12 tonnes
Levage mécanique .....	236.22 mm (9.3")
Hauteur du cric fermé .....	231 mm (9.1")
Hauteur maximale .....	457.2 mm (18.3")
Dimension de la base.....	145 mm x 126 mm (5.7" x 5")
Poids.....	7.3 kg (16.1 lbs.)

## INFORMATION D' AVERTISSEMENT



Ce symbole indique un danger potentiel. Il est utilisé pour avertir l'utilisateur des risques potentiels de blessures corporelles. Prière de respecter toutes les consignes de sécurité qui suivent ce symbole afin d'éviter les blessures ou la mort potentielles.

### ⚠ AVERTISSEMENT

AVERTISSEMENT : Ce symbole indique une situation dangereuse qui pourrait causer la mort ou des blessures graves si elle n'est pas évitée.

### IMPORTANT : LIRE CES CONSIGNES AVANT L'UTILISATION.

PRIÈRE DE LIRE CES CONSIGNES ATTENTIVEMENT ET DE S'ASSURER DE BIEN COMPRENDRE LES PROCÉDURES D'UTILISATION, LES AVERTISSEMENTS DE SÉCURITÉ ET LES BESOINS EN MATIÈRE D'ENTRETIEN DE L'OUTIL AVANT DE L'UTILISER.

Le propriétaire doit s'assurer que tous les employés lisent ce manuel avant d'utiliser l'outil. Le propriétaire de l'outil doit aussi maintenir ce manuel en bon état et le ranger dans un endroit facilement accessible à tous ceux qui doivent le lire. Si le manuel ou les étiquettes de l'outil sont perdus ou illisibles, communiquer avec Sunex pour obtenir un remplacement. Si l'utilisateur ne parle pas couramment le français, les consignes de sécurité et le mode d'emploi de l'outil devront lui être lues à haute voix et être discutées avec l'utilisateur, dans sa langue maternelle, par le propriétaire/acheteur ou une personne désignée, afin d'assurer que l'utilisateur en comprenne les bien le contenu.

### LE TYPE DE SITUATIONS DANGEREUSES

#### ⚠ AVERTISSEMENT

L'utilisation de dispositifs de levage portatifs pour automobiles expose l'utilisateur à certains dangers qui ne peuvent pas être évités par des moyens mécaniques, mais seulement en faisant preuve d'intelligence, d'attention et de bon sens. Il est donc essentiel que les propriétaires et les employés qui utiliseront ce dispositif soient prudents, compétents, qualifiés et formés à l'utilisation sécuritaire de l'équipement. Des exemples de dangers comprennent le renversement, le glissement ou la chute soudaine de la charge. Ces dangers sont principalement imputables à une charge mal répartie, une utilisation sur une surface meuble ou inclinée, ou une utilisation à des fins autres que celles pour lesquelles le dispositif a été conçu.

### MÉTHODES POUR ÉVITER LES SITUATIONS DANGEREUSES

#### ⚠ AVERTISSEMENT



- S'assurer de bien comprendre et de suivre les directives avant d'utiliser cet appareil.
- Inspecter le cric avant chaque utilisation. Ne pas utiliser le cric s'il est endommagé, altéré, modifié ou en mauvais état, si le liquide hydraulique fuit ou si le cric est instable en raison de pièces manquantes ou lâches. Apporter les corrections (ou les réparations) nécessaires avant l'utilisation.



- Soulevez uniquement aux points de levage du véhicule tels que spécifiés par le fabricant.
- L'utilisateur et les spectateurs doivent porter un équipement de protection pour les yeux qui réponde aux normes ANSI Z87.1 et OSHA.
- N'utilisez pas le vérin de levage au-delà de la capacité évaluée.



- Personne ne devrait se trouver sous le véhicule lorsque le cric est utilisé.
- **Cet appareil est uniquement un dispositif de levage. Immédiatement après l'opération de levage, soutenez le véhicule avec les supports appropriés.**
  - Aucune modification ne doit être apportée à ce produit.
  - Utiliser le cric seulement sur une surface de niveau et solide.
  - Abaissez toujours le vérin de levage lentement et prudemment.
  - N'utilisez pas d'adaptateurs ou de rallonges de selle entre la selle de levage et la charge.
  - Centrer la charge sur la selle. Soyez sûr que l'installation est stable avant le levage.
  - Ce produit contient des produits chimiques reconnus par l'État de la Californie comme causant le cancer, des anomalies congénitales ou d'autres effets nuisibles sur la reproduction. *Se laver les mains à fond après l'utilisation.*
  - Le manquement d'observer ces inscriptions peut avoir comme conséquence des blessures sérieuses ou mortelles et/ou des dégâts matériels.

### CONSÉQUENCES EN CAS DE SITUATIONS DANGEREUSES

#### ⚠ AVERTISSEMENT

Le manquement de lire ce manuel complètement et avec attention et l'incompréhension des CONSIGNES D'UTILISATION, AVERTISSEMENTS DE SÉCURITÉ, INSTRUCTIONS D'ENTRETIEN et de se conformer à elles, et en négligeant les MÉTHODES POUR ÉVITER DES SITUATIONS DANGEREUSES peut causer des accidents ayant comme conséquence des blessures sérieuses ou mortelles et/ou des dégâts matériels

## GUIDE DU PROPRIÉTAIRE

### DIRECTIVES DE MONTAGE DU CRIC-BOUTEILLE



Voici le symbole utilisé dans la section DIRECTIVES DE MONTAGE du présent manuel pour avertir du risque de blessure. Suivre toutes les directives pour éviter des blessures pouvant être graves ou mortelles.

1. Veuillez consulter l'illustration à vue éclatée des pièces dans ce manuel afin d'identifier les pièces mentionnées dans le processus d'installation.
2. Les trois parties du manche peuvent glisser l'une dans l'autre pour former la longueur complète du manche. Cette insertion souple des pièces vous permettra de les séparer à une date ultérieure pour les entreposer.
3. Il arrive parfois que de l'air soit emprisonné dans le système hydraulique pendant l'expédition et la manutention.

#### PURGER L'AIR DU SYSTÈME HYDRAULIQUE

- a. Attachez l'extrémité du manche à la valve de desserrement du cric et tournez le manche en faisant deux tours complets dans le sens contraire des aiguilles d'une montre.
- b. Installez le manche dans le réceptacle du manche et pompez le cric en donnant environ 15 coups de pompe progressifs.
- c. Attachez à nouveau l'extrémité du manche sur la valve de desserrement et tournez le manche dans le sens des aiguilles d'une montre jusqu'à ce qu'il soit bien serré.
- d. Commencez à pomper le manche jusqu'à ce que le vérin atteigne sa hauteur maximale.
- e. Répétez les étapes « a » à « d » jusqu'à ce que tout l'air ait été purgé du système.

### DIRECTIVES D'UTILISATION



Voici le symbole utilisé dans la section DIRECTIVES D'UTILISATION du présent manuel pour avertir du risque de blessure. Suivre toutes les directives pour éviter des blessures pouvant être graves ou mortelles.

**IMPORTANT** : Consulter le manuel d'entretien du véhicule pour connaître les endroits recommandés pour positionner le cric avant de lever le véhicule.

1. Familiarisez-vous avec l'identification des pièces du cric et leur fonctionnement. Le vérin est l'arbre qui sort du cric lorsque vous activez le piston de la pompe.
2. Calez les pneus du véhicule qui resteront au sol avant de lever le véhicule et le cas échéant, appliquez le frein de secours ou toute autre méthode de freinage.
3. Positionnez le cric à l'endroit de levage désigné. Estimez la course de vérin requise pour soulever le véhicule à la hauteur souhaitée.
4. Tournez la valve de desserrement dans le sens des aiguilles d'une montre jusqu'à ce qu'elle soit bien serrée.
5. Une fois le cric en position abaissée, placez-le sous le véhicule, mais en évitant de placer votre propre corps sous le véhicule.  
**IMPORTANT**: Utilisez les instructions de levage et les points de levage recommandés par le fabricant du véhicule avant de lever des charges.
6. Une fois le cric en place, activez la pompe jusqu'à ce que la partie supérieure du vérin soit proche du point de levage désigné. Assurez-vous que le point de levage désigné est plat, parallèle au sol et qu'il est exempt de graisse, de tout type de lubrifiant et de débris. Commencez à pomper le cric afin de soulever le véhicule à la hauteur désirée. Pendant le levage, inspectez la position du cric relativement au sol et celle du vérin par rapport à la charge afin d'éviter toute possibilité de déséquilibre. À la moindre indication de déséquilibre possible, abaissez lentement la charge et une fois la charge complètement abaissée, apportez les corrections d'installation appropriées.
7. Une fois le véhicule ou la charge levés à la hauteur souhaitée, placez immédiatement les supports de sécurité (chandelles de cric) aux endroits désignés et réglez les colonnes de soutien des chandelles aussi près que possible des points de support du véhicule. Bien que la capacité nominale de chaque chandelle soit évaluée individuellement, celles-ci doivent uniquement être utilisées en paire assortie et ce, pour soutenir une seule extrémité du véhicule. Les chandelles ne doivent pas être utilisées pour soutenir simultanément les deux extrémités ou tout un côté de véhicule. Tournez, lentement et avec précaution, le bouton de dégagement dans le sens contraire des aiguilles d'une montre pour abaisser doucement le véhicule sur les supports de sécurité (chandelles). Assurez-vous que le véhicule est correctement soutenu par les supports de sécurité (chandelles) et non par les ergots de guidage des selles. Examinez d'une part le rapport entre les supports de sécurité (chandelles) avec le sol et d'autre part le rapport entre les colonnes de support et les selles des supports de sécurité (chandelles) avec le véhicule, afin de prévenir toute condition instable. Dans l'éventualité d'une possible instabilité, fermez la valve de desserrement du cric et pompez le cric afin de soulever le véhicule suffisamment pour le retirer des supports de sécurité (chandelles). Apportez les modifications d'installation appropriées et abaissez le véhicule lentement et avec précaution sur les selles des supports de sécurité.
8. Une fois le travail, terminé, fermez la valve de desserrement et pompez le cric suffisamment pour retirer le véhicule ou la charge du soutien des supports de sécurité (chandelles). Assurez-vous de la stabilité de la charge. Si celle-ci n'est pas stable, abaissez-la de nouveau sur les supports de sécurité. Apportez les corrections nécessaires et reprenez cette étape. Puis retirez les chandelles de sous le véhicule, en prenant bien soin de ne pas déplacer le véhicule.
9. Tournez, très lentement et avec précaution, la valve de desserrement dans le sens contraire des aiguilles d'une montre afin de déposer le véhicule ou la charge sur le sol.

## ENTRETIEN PRÉVENTIF



Voici le symbole utilisé pour dans la section ENTRETIEN PRÉVENTIF du présent manuel pour avertir du risque de blessure. Suivre toutes les directives pour éviter des blessures pouvant être graves ou mortelles.

**IMPORTANT:** Tout vérin trouvé défectueux à la suite de pièces usées en raison d'un manque de lubrification ou d'une lubrification insuffisante n'est pas admissible à la considération de garantie.

1. Toujours ranger le cric dans un endroit bien protégé des intempéries, des vapeurs corrosives, de la poussière abrasive ou de tout autre élément dommageable. Le cric doit être débarrassé de toute trace de sable, de gravillon, d'huile, de graisse ou de tout autre corps étranger avant d'être utilisé.
2. Le cric doit être lubrifié périodiquement afin de prévenir l'usure prématurée des pièces. Une graisse d'usage général doit être appliquée à tous les points de pivotement, à l'exception des composantes hydrauliques. Ne lubrifiez aucune partie de la selle de levage et veillez à garder la selle, avant d'utiliser le cric, exempte de graisse, de tout lubrifiant quel qu'il soit ou de débris.
3. À moins d'une fuite, il ne devrait pas être nécessaire de remplir le réservoir de liquide hydraulique. Toute fuite doit être immédiatement réparée dans un environnement sans poussières par un technicien qualifié en réparation de composantes hydrauliques et familier avec ce type d'équipement. Il est recommandé de faire appel à un centre de service autorisé. **IMPORTANT:** Pour prévenir les dommages aux joints d'étanchéité et la défectuosité du cric, ne jamais utiliser d'alcool, de liquide à freins hydrauliques ni d'huile à transmission dans le cric. Utiliser l'huile hydraulique conçue pour les crics.
4. Le propriétaire du cric doit s'assurer que l'étiquette apposée sur le cric demeure propre et lisible. Utiliser une solution savonneuse douce pour nettoyer les surfaces externes du cric, mais pas les composantes hydrauliques mobiles.
5. N'essayez pas de faire des réparations à moins que vous soyez un réparateur qualifié qui est familiarisé avec cet équipement.

## DÉPANNAGE

PROBLEME	ACTION
1. L'unité ne lèvera la charge nominale.	Purger l'air du système hydraulique en suivant la procédure selon la configuration.
2. Ne peut pas supporter la charge nominale ou se sent "spongieuse" sous charge nominale.	Purger l'air du système hydraulique comme mentionné ci-dessus.
3. L'unité ne lèvera pas à hauteur complète.	Purger l'air du système hydraulique comme mentionné ci-dessus ou vérifier le niveau de l'huile dans le réservoir.
4. Le manche a tendance à lever lorsqu'il y a une charge nominale sur le cric.	Pompez le manche rapidement à plusieurs reprises pour pousser l'huile au-delà des soupapes à billes dans le mécanisme de levage.
5. L'unité ne fonctionne toujours pas.	Contactez Sunex pour une liste complète des centres de réparation autorisés.

## **GARANTIE LIMITÉE**

### **SUNEX INTERNATIONAL, INC. GARANTIT À SES CLIENTS QUE LES OUTILS DE MARQUE SUNEX TOOLS SONT EXEMPTS DE DÉFAUTS DE MAIN D'ŒUVRE ET DE MATÉRIAU**

Sunex International, Inc. réparera ou remplacera ses outils de marque Sunex Tools® qui ne donnent pas un service satisfaisant à cause d'un défaut de main d'œuvre ou de matériau, selon les termes et conditions décrits ci-dessous dans les plans de garantie correspondant à ce produit spécifique. Ce produit a une garantie de UN AN. Pendant la période de garantie, Sunex Tools® réparera ou remplacera, à sa seule discrétion, toute pièce ou tout appareil dont il a été déterminé qu'il comporte un défaut de matériau ou de main d'œuvre.

#### **Autres informations importantes sur la garantie...**

Cette garantie ne couvre pas les dommages à de l'équipement ou à des outils modifiés, sujets à des abus ou à une utilisation incorrecte, ou encore endommagés; elle ne couvre pas les réparations ou le remplacement effectué par quiconque autre que Sunex Tools® ou ses centres de services de garantie autorisés. L'obligation qui précède constitue la seule responsabilité de Sunex Tools® en vertu de cette garantie ou de toute garantie implicite; et en aucun cas Sunex Tools® ne pourra être responsable pour des dommages indirects ou consécutifs.

**Remarque :** Certaines juridictions ne permettent pas l'exclusion ou la limitation des dommages indirects ou consécutifs; la limitation ou l'exclusion ci-dessus pourrait donc ne pas s'appliquer à votre cas. Retourner l'équipement ou les pièces à Sunex Tools®, ou à un centre de service de garantie autorisé, port prépayé. S'assurer d'inclure votre nom, votre adresse, une preuve de la date d'achat et la description de la défaillance présumée. Veuillez adresser par écrit toutes vos questions sur le service de garantie à Sunex Tools®. Cette garantie donne à l'acheteur des droits juridiques spécifiques ainsi que certains autres droits qui peuvent varier selon la juridiction. Après échéance de la garantie de remplacement direct d'un an, certaines pièces de service seront disponibles à l'achat par l'entremise des options de services normaux de Sunex Tools®.

#### **ADRESSE DE LIVRAISON:**

Sunex Tools  
315 Hawkins Rd.  
Travelers Rest, South Carolina 29690

#### **ADRESSE MAIL:**

Sunex Tools  
P.O. Box 1233  
Travelers Rest, South Carolina 29690