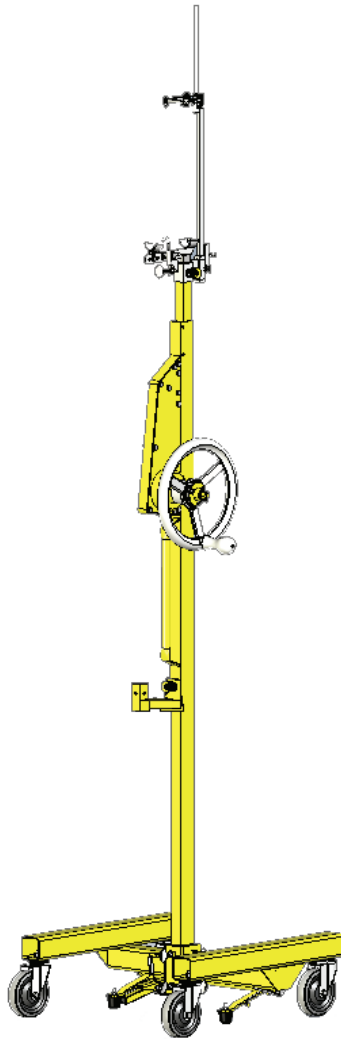


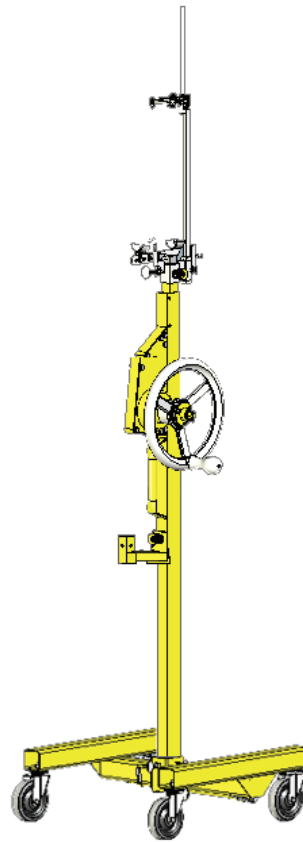
D**FILLRITE**TM Overhead Concrete Drill Press by **Telpro Inc.**[®] **USA**

OPERATOR'S MANUAL

For Models 350 & 210



Model 350



Model 210

! WARNING !

Read and become familiar with this manual BEFORE operating unit.

Before operating this equipment, thoroughly read this set of instructions, make sure you understand them, and only then follow the step-by-step directions. Failure to do so could result in serious property damage and / or serious bodily injury.

Drawings and photos are for illustrative purposes only. Due to the nature of ongoing product development and improvement, actual product component configurations may vary somewhat from images in this manual.

PARAGON PRO
MANUFACTURING SOLUTIONS

To our valued customer,

Thank you for choosing a **Telpro Inc.**® product by **PARAGON PRO** Manufacturing Solutions. We are pleased that we are able to provide equipment to make your work easier.

Our efforts are focused on producing the finest quality equipment of which we are capable. We make sure to spend extra time and effort on our design and production in order to reduce your time and effort spent using the product.

We take pride in providing the best for our customers. Quality, innovation, and excellence are all qualities this company ensures. No product is sent without being factory tested and inspected to ensure the highest quality for you.

It all began in 1972 when Roland Young designed our first product, the PANELLIFT® Brand Drywall Lift, and revolutionized the drywall industry. To this day we are continuously making advancements in manufacturing and design.

Thank you again for giving us the opportunity to work with you. Any questions or comments that you have are always welcome.

PARAGON PRO
M a n u f a c t u r i n g S o l u t i o n s

CONTENTS

Warning / Instructional Information User	Page 1
Components	Page 2
Care & Maintenance.	Page 3
Fitting the Drill Cradle To Your Drill	Page 4
Assembly	Page 5
Operation	Page 7
Safety Information	Page 8

ALL PHOTOS ARE FOR ILLUSTRATIVE PURPOSES ONLY.
ALWAYS WEAR PROPER PERSONAL PROTECTIVE EQUIPMENT.

⚠ Warning ⚠

Read and follow these warnings and the instructions that follow. Failure to do so could result in serious property damage and/or serious bodily injury.

• **BEFORE** operating this equipment, thoroughly read this set of instructions, make sure you understand them, and only then follow the step-by-step directions. **FAILURE TO READ AND FOLLOW THESE INSTRUCTIONS** could result in failure of the equipment. Failure of the equipment while the telescoping section is raised can include a sudden and rapid lowering of the telescoping section possibly resulting in serious property damage and/or serious bodily injury.

• Use and maintenance of the DrillRite™ Overhead Concrete Drill Press shall be limited to authorized, competent personnel who are trained in the proper techniques for its safe operation and maintenance and who are familiar with the various hazards of overhead drilling into concrete.

“ ‘Competent person’ means one who is capable of identifying existing and predictable hazards in the surroundings or working conditions which are unsanitary, hazardous, or dangerous to employees, and who has authorization to take prompt corrective measures to eliminate them.” [29 CFR 1926.32(f)]

• **DO NOT ATTEMPT TO USE YOUR DrillRite™ Overhead Concrete Drill Press IF ANY PART IS MISSING, DAMAGED OR WORN. ORDER A REPLACEMENT PART IMMEDIATELY.** Using a DrillRite™ Overhead Concrete Drill Press with missing, damaged or worn components can result in failure of the unit and possibly severe property damage and/or serious bodily injury.

• The DrillRite™ Overhead Concrete Drill Press is made of steel which conducts electricity.

- Keep the unit away from live exposed electrical wires. Failure to do so could result in electrocution.
- **DO NOT** use the DrillRite™ Overhead Concrete Drill Press in wet environments. Water combined with live electrical power can result in electrocution.

• Use the DrillRite™ Overhead Concrete Drill Press only with a rotary hammer drill that meets applicable codes and standards and is properly double insulated or properly equipped with grounded plug that meets applicable codes and standards. Failure to do so could result in electrocution.

• Only use extension power cords that are properly grounded, are in good condition with no breaks in the protective sheathing and no exposed wires, and are properly rated for the drill being used. Failure to do so could result in electrocution.

• Use caution to keep power cords clear of moving parts during operation.

• The DrillRite™ Overhead Concrete Drill Press is designed **ONLY** as a positioner and handler of **rotary hammer drills** for overhead drilling into **concrete or similar material** and shall be used for no other purpose.

Using the DrillRite™ Overhead Concrete Drill Press for purposes other than overhead drilling into concrete or similar material or using a drill that is not a rotary hammer drill designed for drilling into concrete can subject the unit to stresses and forces that it was not designed to carry. This can result in failure of the unit which may include a sudden and rapid lowering of the extended telescoping section possibly resulting in serious property damage and/or serious bodily injury.

• **ALWAYS** make sure that the Drill Cradle Lock Pin is snapped securely in place to lock the Drill Cradle on the telescoping section before drilling. Failure to do so could result in the Drill Cradle becoming unexpectedly detached from the telescoping section which could present a drop hazard possibly resulting in property damage and/or serious bodily injury. If the lock pin is missing or is not functioning properly **DO NOT** use the equipment. Order a replacement pin immediately. (See Page 4, Step 4)

• Unless you are using the optional Flex Base for your DrillRite™ Overhead Concrete Drill Press, Operate the DrillRite™ Overhead Concrete Drill Press only on hard, flat, level surfaces. In any setting the floor surface must be free of obstructions, debris, clutter, pits, holes or openings. Failure to follow this warning can result in tipping the equipment possibly resulting in serious property damage and/or serious bodily injury.

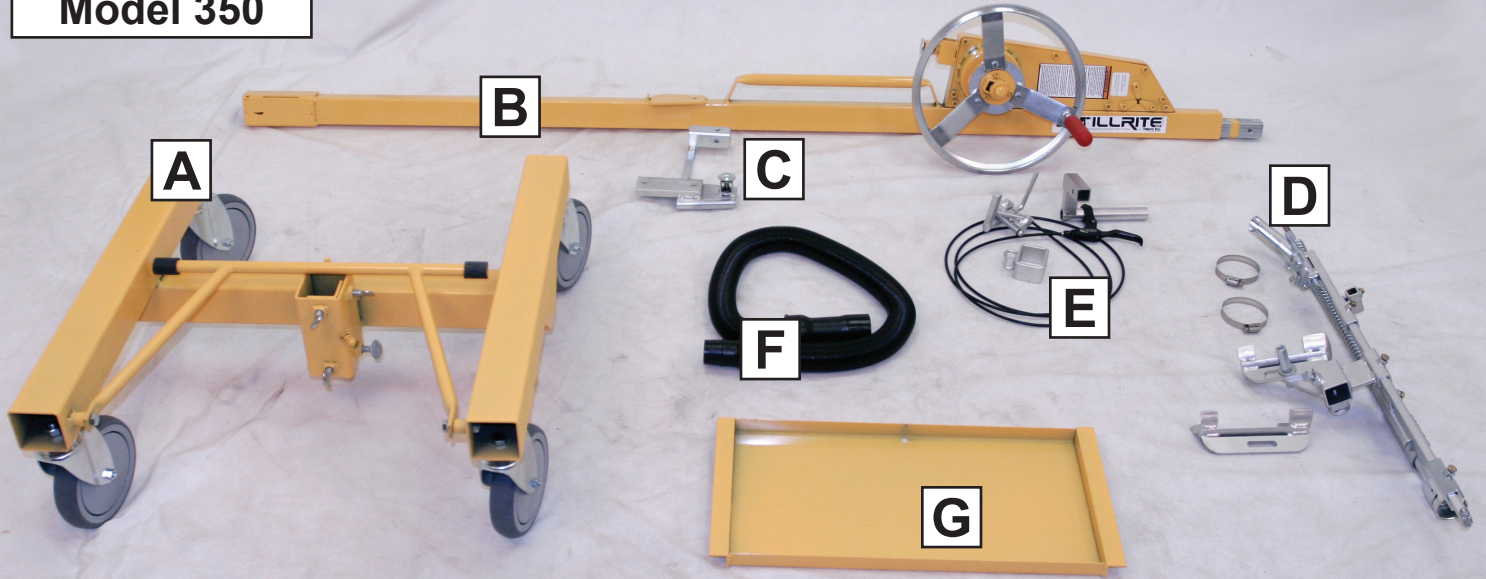
• **DO NOT ROLL** the DrillRite™ Overhead Concrete Drill Press while the telescoping section is extended. Always retract and lower the telescoping section until the equipment is in place beneath the area in which the hole will be drilled. Rolling the DrillRite™ Overhead Concrete Drill Press while the telescoping section is extended can result in tipping the equipment possibly resulting in serious property damage and/or serious bodily injury.

• **ALWAYS WEAR PROPER PERSONAL PROTECTIVE EQUIPMENT** suited to overhead drilling into concrete when operating the DrillRite™ Overhead Concrete Drill Press. Failure to do so could result in serious bodily injury.

• Occasionally check all adjustment fasteners, straps, and set bolts on the drill cradle while in use as vibration may tend to loosen these components.

Questions? - Call Paragon Pro Manufacturing Solutions Customer Service at 1-800-448-0822 or 701-775-0551

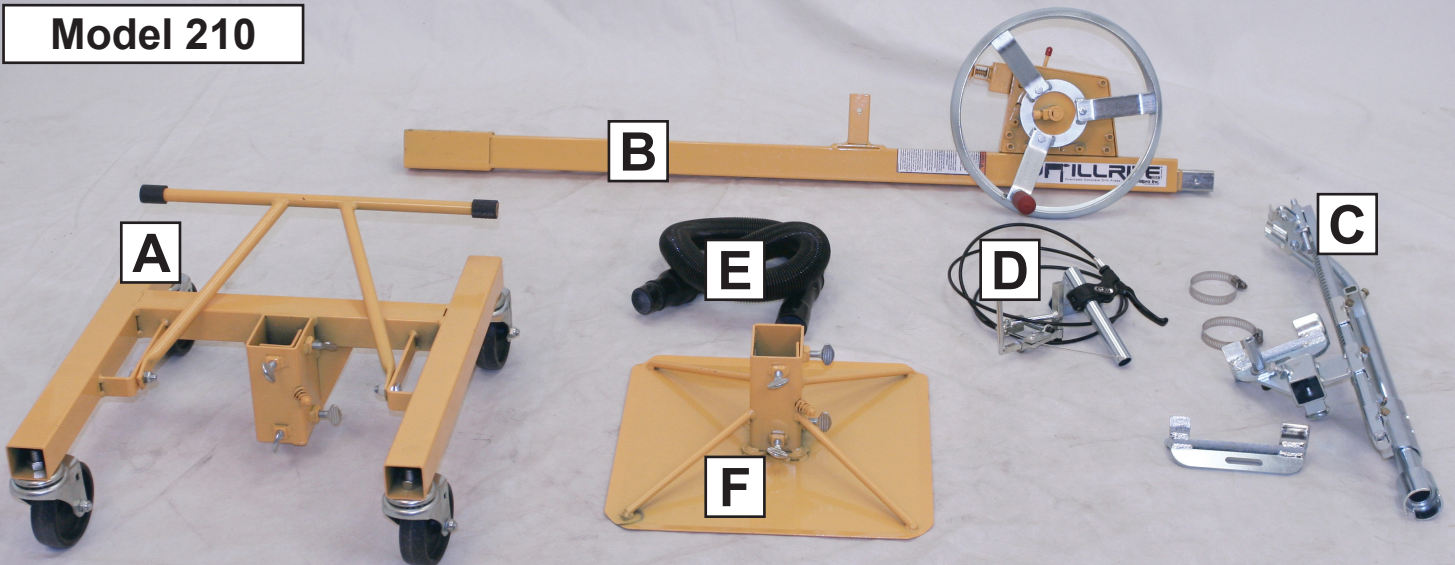
Model 350



- A. Base Assembly
- B. Frame Assembly
- C. Drill Cradle Assembly Tool Rest
- D. Drill Cradle Assembly with Dust Extraction

- E. Safety Remote Switch Cable Assembly
- F. Vacuum Hose
- G. Tool Tray

Model 210



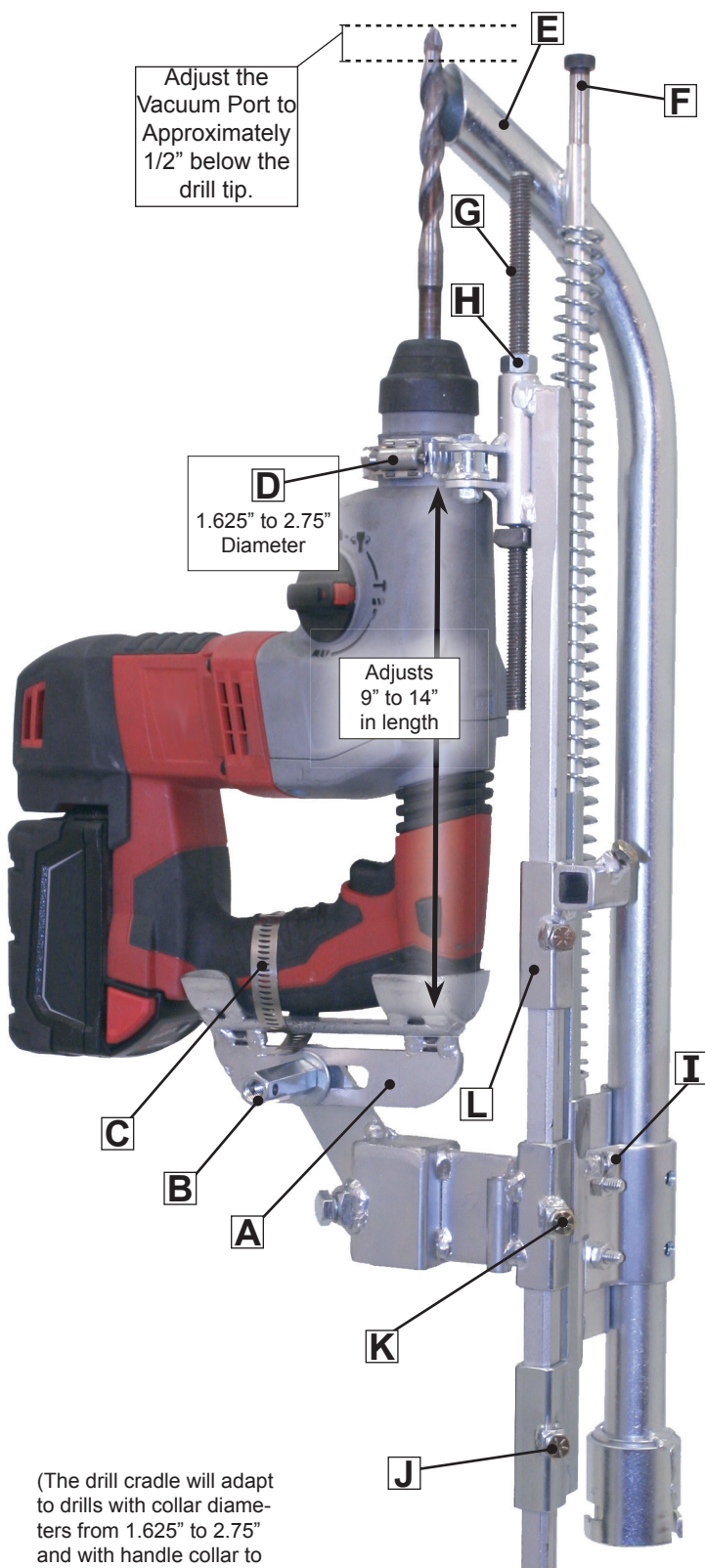
- A. Dolly Base Assembly
- B. Frame Assembly
- C. Drill Cradle Assembly with Dust Extraction

- D. Safety Remote Switch Cable Assembly
- E. Vacuum Hose
- F. Skid Base Assembly

CARE AND MAINTENANCE

- Occasionally oil the caster bearings, thumb screws and pull pins for smooth operation.
- Keep the chain **lightly** lubricated and do not expose it to moisture. **Be careful not to over oil**, as excess drip oil may cause grit to accumulate between moving parts.
- Avoid dropping debris into the telescoping sections and other openings in the DrillRite™ Overhead Concrete Drill Press. Debris can cause the chain to jam and possibly lead to damage to the equipment.
- Use only factory authorized replacement parts. Installation of other parts can compromise the safe design of the DrillRite™ Overhead Concrete Drill Press possibly resulting in serious property damage and/or serious bodily injury.
- Apply household paraffin to the surfaces of the telescoping sections, for smoother action.
- Store the DrillRite™ Overhead Concrete Drill Press in a dry place.
- Take reasonable care to avoid damaging the DrillRite™ Overhead Concrete Drill Press when transporting it.
- Do not hammer on any members or components of the DrillRite™ Overhead Concrete Drill Press.

FITTING THE CRADLE TO YOUR DRILL



(The drill cradle will adapt to drills with collar diameters from 1.625\" to 2.75\" and with handle collar to heel lengths from 9\" to 14\".)

Key Part

- A** Slide/Tilt Bar
- B** Slide/Tilt Bar Lock
- C** Handle Strap
- D** Collar Clamp
- E** Vacuum Port
- F** Vacuum Port Stop
- G** Drill Stop Rod
- H** Drill Stop Set Nut
- I** Vacuum Port Set Bolt
- J** Vacuum Port Support Set Bolt
- K** Collar Clamp Set Bolt
- L** Drill Trigger Activator Support Mount

Function

- Holds the handle of the drill and aligns the drill with the DrillRite™ Frame. (Two are provided. Select the one which best fits the drill to be mounted.)
- Locks the Slide/Tilt Bar in place.
- Secures the handle of the drill into the base of the Drill Cradle.
- Secures the collar of the drill and cooperates with the Slide/Tilt Bar to align the drill vertically.
- Connects to vacuum to collect air-borne dust resulting from drilling process.
- Keeps the vacuum port consistently located at the point of dust production.
- Sets the depth of the hole to be drilled.
- Locks the Drill Stop Rod in place.
- Locks the vacuum port in position relative to the drill tip.
- Locks the vacuum port support in position.
- Locks the Collar Clamp at the correct height relative to the Slide/Tilt Bar to fit the drill being mounted.
- Holds and aligns the cable operated drill trigger activator (described separately)

The following actions need to be taken to align the drill:

- Secure the drill to the Slide/Tilt Bar "A" with the Handle Strap "C". Make sure the drill handle securely contacts both end supports on the Slide/Tilt Bar
- Adjust height of the Collar Clamp "D" and clamp lightly around the drill collar. Lock the height in place with the set bolt "K".
- Adjust the Slide/Tilt Bar to align the drill vertically using the Drill Stop Rod as a guide. (The Collar Clamp should not be overly tightened at this point to allow the drill to move into position using the clamp point at the drill collar as a pivot point.) The drill is correctly aligned when the drill bit is parallel with the vertical members of the Drill Cradle.
- When the drill is correctly aligned, tighten fasteners "B", "C", "D", and "K".

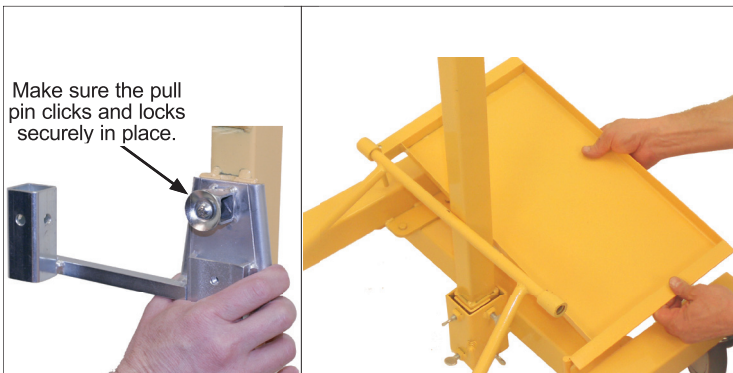
To Adjust the Vacuum Port for the drill and bit being used:

- Make sure the drill bit is fully seated in the drill chuck
- Loosen the stop bolt "I"; adjust the height of the vacuum port to approximately 1/2\" below the tip of the drill; tighten stop bolt "I". If necessary the Vacuum Port Support can be adjusted in height as well and locked into place with bolt "J".

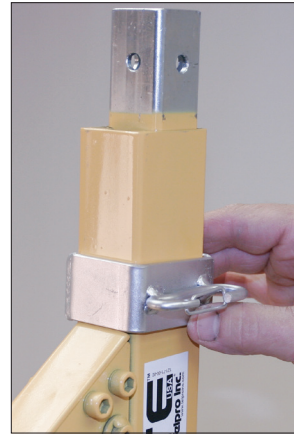
IMPORTANT: The DrillRite™ Drill Cradle is designed to fit a wide variety of SDS Plus class rotary hammer drills. However, it is possible that it might not fit your particular drill perfectly. If you cannot get your drill to align squarely in the Drill Cradle with all fasteners and adjustments tightened properly, **STOP. DO NOT PROCEED. DO NOT** use any drill with the DrillRite™ Overhead Concrete Drill Press that cannot be properly secured in the Drill Cradle. **DO NOT** use any mechanism other than the DrillRite™ Drill Cradle to hold a drill for use with the DrillRite™ Overhead Concrete Drill Press. Doing so may produce unpredictable and potentially unsafe conditions that may result in property damage and/or serious personal injury.



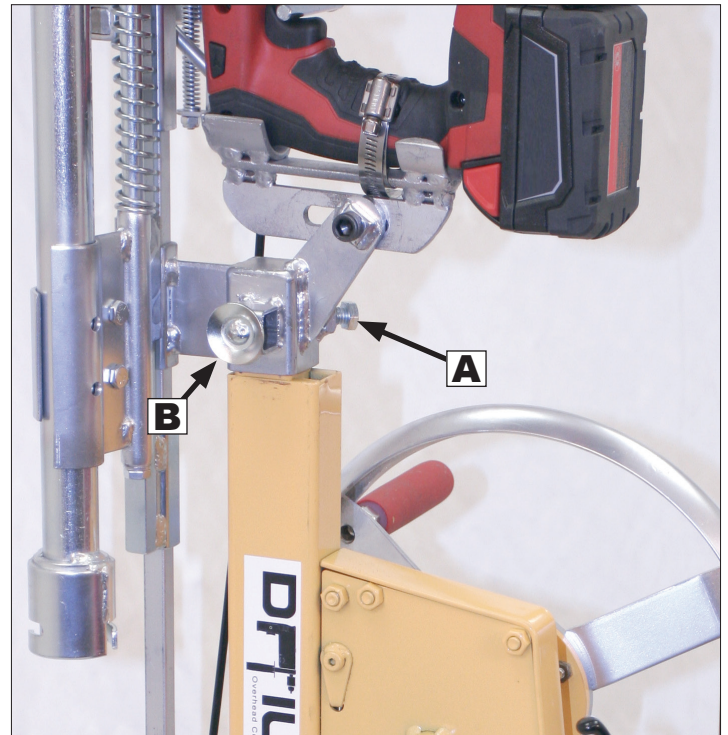
1. Swing the base Brake Bar down as shown then install the Frame Assembly into the Base Assembly. Orient the frame handle forward toward the base Brake Bar as shown. Tighten all four thumb screws evenly to secure the Frame Assembly into the Base Assembly.



2. (Model 350) Install the Drill Cradle Assembly Tool Rest on the tapered mount plate below the frame handle. This provides a convenient temporary mount for the drill cradle when making drill adjustments or moving through doorways. Install the tool tray.



3. (Model 350) Install the cable guide for drill trigger activator cable



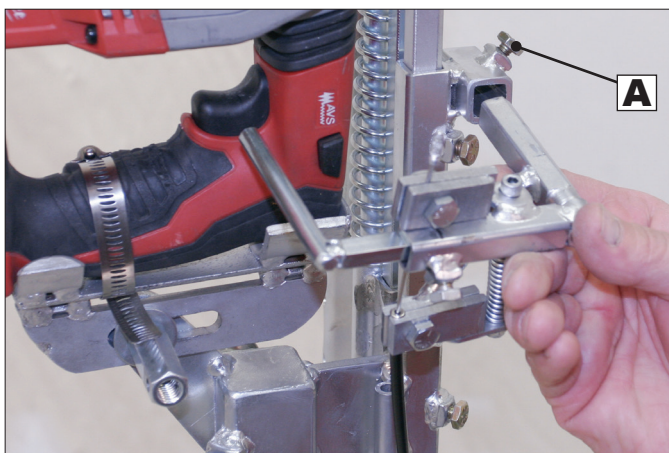
4. Mount the Drill Cradle and drill:

(NOTE: The Cradle Assembly with mounted drill needs to be oriented with the heel of the drill over the top of the winch assembly and brake gear box on the frame, as shown on this Model 210 DrillRite Overhead Concrete Drill Press, in order to properly accommodate the supporting elements of the Cradle Assembly.)

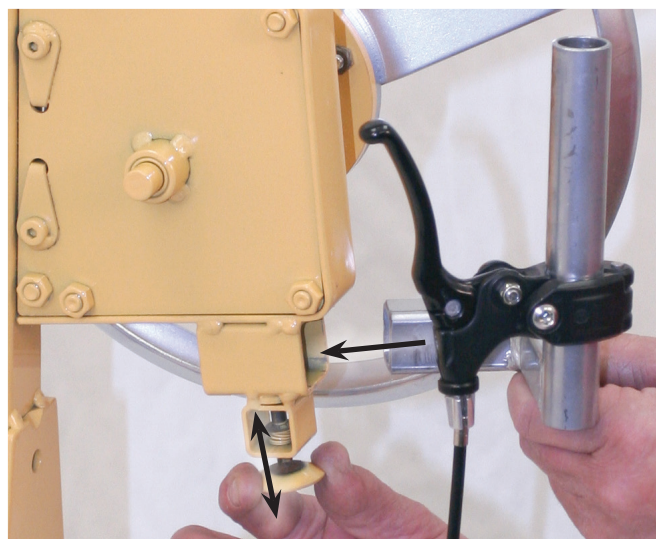
Open the set screw ("A" above) and pull out the lock pin ("B" above) to allow cradle to slide over the top of the telescoping section. Make sure the lock pin "B" snaps securely in place to lock the Drill Cradle on the telescoping section. **DO NOT** proceed until the lock pin is securely fastening the Drill Cradle to the telescoping section. (SEE WARNING ON PAGE 1)

When the lock pin "B" above is securely locking the Drill Cradle to the telescoping section, tighten the set screw "A" to firm up the assembly and ensure accurate drilling.

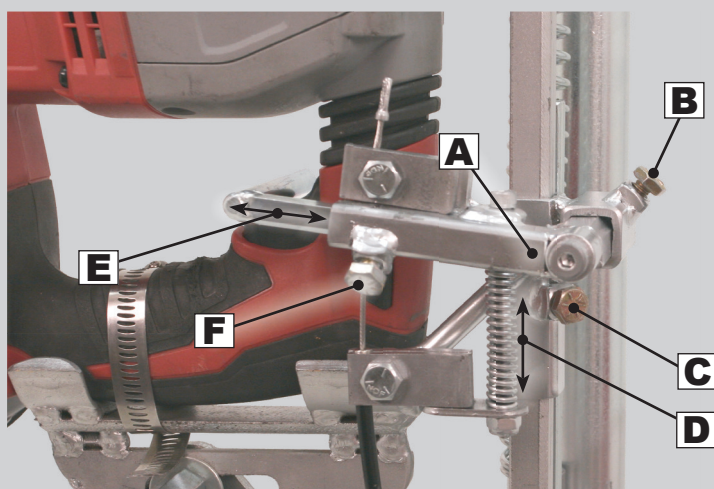
ASSEMBLY



5. Install the cable operated trigger activator assembly fully into the Support Mount and tighten lock bolt "A" above.



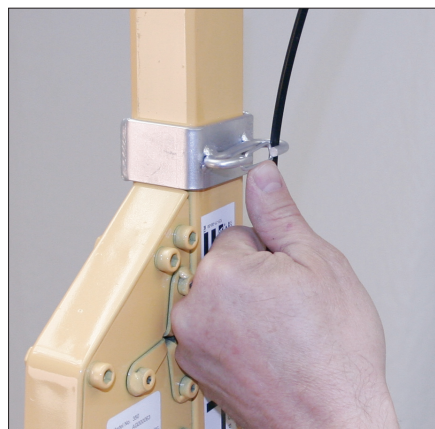
6. Install the Trigger Handle assembly into the mount on the frame and secure with the lock pin.



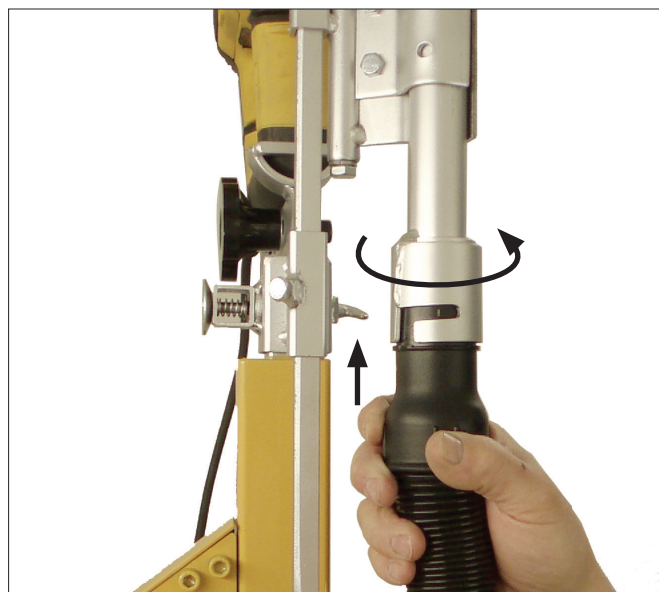
NOTE: Follow these steps for initial set up of the trigger activator:

- Slide the assembly "A" fully into the mount bracket and tighten.
- Loosen lock bolt "C" and adjust the mount assembly as needed so that the trigger activator arm "E" rests in a neutral position just above the drill trigger.
- Tighten lock bolt "C". Make final adjustments to the trigger activator "E" as needed and tighten lock bolt "F".

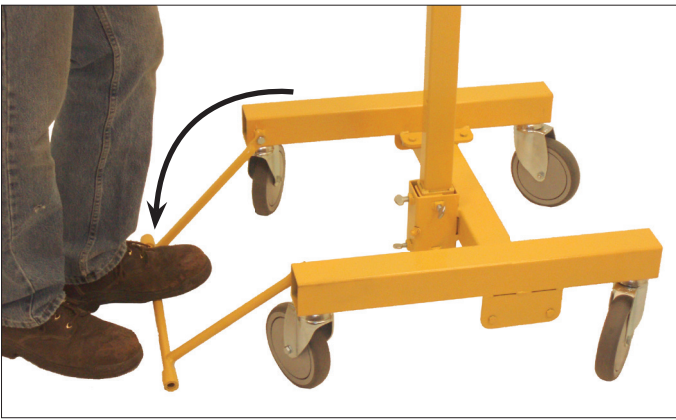
(For future use, securing and removing the assembly "A" by tightening and loosening lock bolt "B" is all that will be necessary as long as the same drill is left mounted in the cradle.)



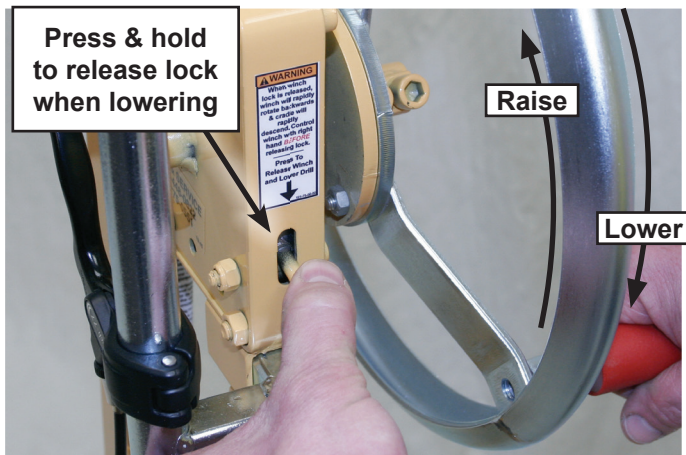
7. (Model 350) Secure the trigger activator cable in the cable guide to help control the cable as the drill is raised and lowered.



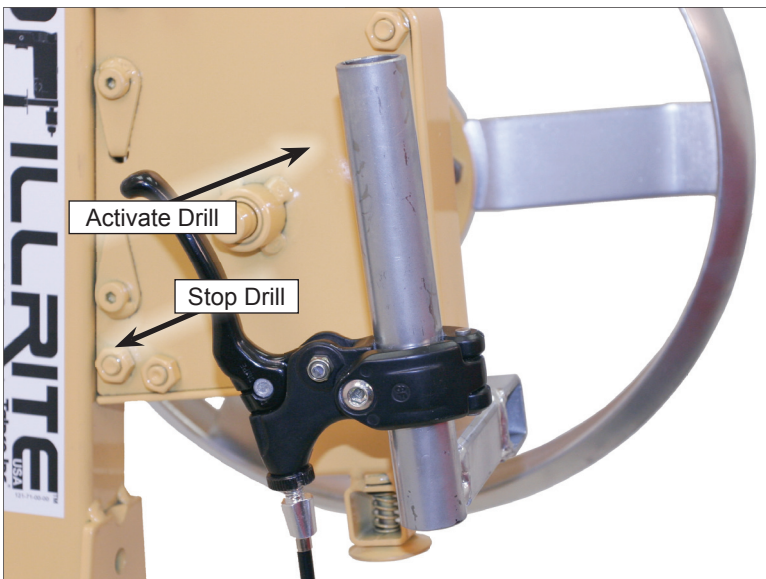
8. Attach the vacuum hose to the Drill Cradle vacuum port. Attach the other end to the vacuum system.



1. To limit motion of the DrillRite Overhead Concrete Drill press while drilling, swing the base brake bar down and stand on it when the drill press has been positioned and the hole targeted for drilling.



2. Rotate the winch wheel to raise the drill for drilling.
WARNING: When the winch lock is released, the winch will rotate backwards and cradle will rapidly descend. Control the winch wheel with your right hand **BEFORE** releasing the lock.



3. Activate the drill using the handle on the drill trigger activator assembly. Grip to activate the drill. Release to stop the drill.

NOTE:

- After initial assembly, adjustments and fitting of the DrillRite™ Overhead Concrete Drill Press to your drill, it is recommended that the drill remains mounted in the cradle for more rapid assembly and disassembly of the equipment when moving from job to job.
- To help avoid damage, it is also recommended that the cable operated drill trigger assembly be removed and handled as a separate component when disassembling by reversing steps 5, 6 and 7 on page 5.
- Occasionally check all adjustment fasteners, straps, and set bolts on the drill cradle while in use as vibration may tend to loosen these components.
- Do not use excessive force to press the drill bit into the work surface when operating the DrillRite™ Overhead Concrete Drill Press. Let the drill bit do the work. Applying excessive force can cause unnecessary wear on the drill bit, the drill and/or the DrillRite™ Overhead Concrete Drill Press.

This product contains trace amounts of the following items which are known to cause cancer and/or developmental harm in the state of California.

These chemicals are not hazardous under product's intended use.

Please review CAS# for more information.

Chemical	Hazard	CAS#	% By Weight
Arsenic	Cancer	7440-38-2	Trace
Cadmium	Developmental	7440-43-9	Trace
Chromium	Cancer, Developmental	7440-47-3	Trace
Ethylbenzene	Cancer	100-41-4	Trace
Lead	Cancer	7439-92-1	Trace
Methanol	Developmental	67-56-1	Trace
Methylene Chloride (Dichloromethane)	Cancer	75-09-2	Trace
Nickel	Cancer	7440-02-0	Trace
Propylene glycol monobutyl ether	Cancer	5131-66-8	Trace
Toluene	Developmental	108-88-3	Trace

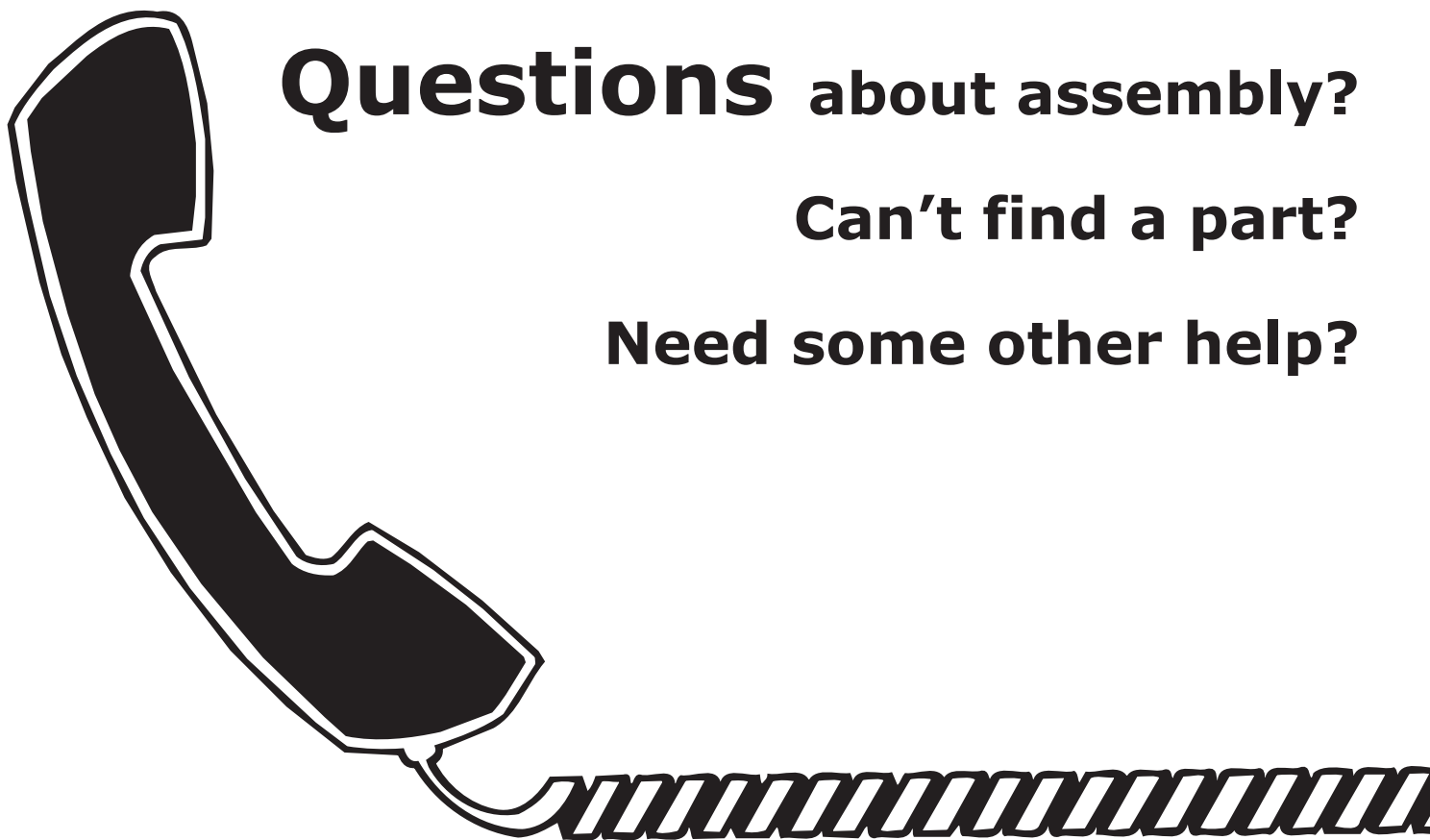
For Parts and Service Contact:

Paragon Pro Manufacturing Solutions

1-800-448-0822

1-701-775-0551

sales@paragonpromfg.com



Questions about assembly?

Can't find a part?

Need some other help?

Call us:

1.800.448.0822

701.775.0551

We'll get you set up!