

WARRANTY

WHAT IS COVERED

We warrant the product to be free from defects in material or workmanship for a period of one year from the date of original retail purchase. The word "defects" is defined as imperfections that impair the use of the product. Defects resulting from misuse, abuse or customer negligence will void this warranty.

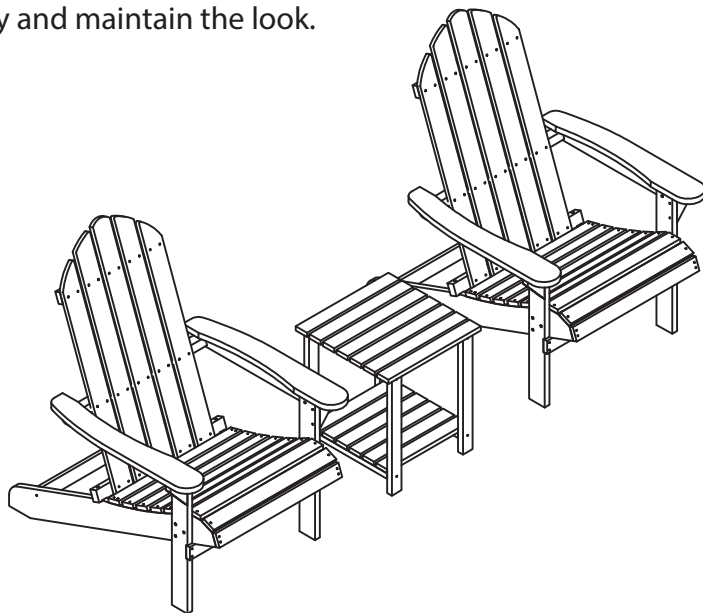
WHAT IS NOT COVERED

This warranty does not cover commercial use, hardware, acts of nature, fire, freezing and abusive use. This warranty does not cover defects due to alteration or accidents. This warranty does not cover scratches, scuffs or other cosmetic damages that may result from normal use of the product.

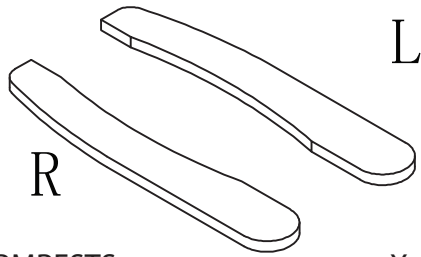
CARE INSTRUCTIONS

Thank you for choosing northbeamTM NORTHRIDGE ADIRONDACK CHAIR SET WITH SIDE TABLE FULL KIT. With a little care and maintenance, the northbeamTM NORTHRIDGE ADIRONDACK CHAIR SET WITH SIDE TABLE FULL KIT will provide you with comfort and enjoyment for many years to come!

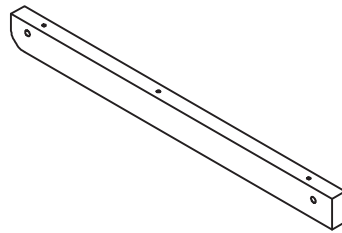
- To clean panels, use clean water on a damp cloth. DO NOT pressure wash, this will damage the finish.
- When assembling northbeamTM NORTHRIDGE ADIRONDACK CHAIR SET WITH SIDE TABLE FULL KIT, please handle all the panels and/or hardware with care to avoid any possibilities of damages and/or injuries.
- Cover during harsh weather to keep it from weathering.
- It is highly recommended that you treat the northbeamTM NORTHRIDGE ADIRONDACK CHAIR SET WITH SIDE TABLE FULL KIT with a weatherproof coating of (stain or paint) once a year, to increase life expectancy and maintain the look.



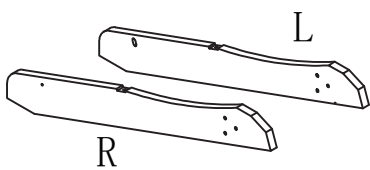
NOTE: Please read all instructions carefully before starting assembly. Also, we recommend that the unit is fully assembled on a level surface. Two people are recommended to assemble this product. DO NOT over torque screws and bolts.



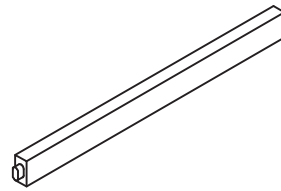
1 ARMRESTS X 4PCS



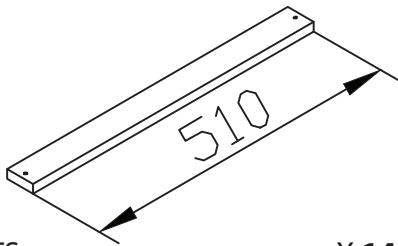
2 ARMREST SUPPORTS X 4PCS



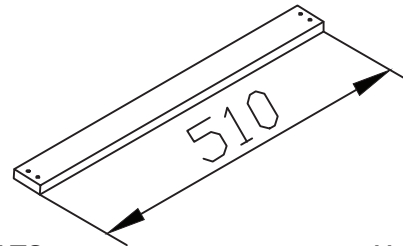
3 LEGS X 4PCS



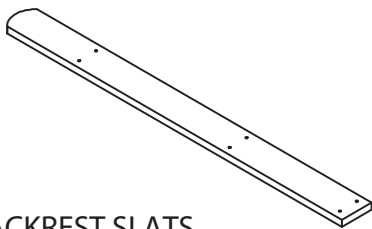
4 CROSSBAR X 2PCS



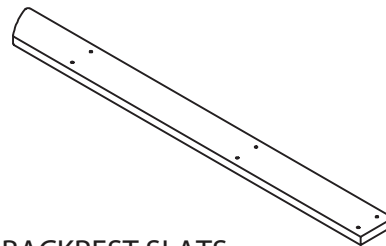
5 SLATS X 14PCS



6 SLATS X 4PCS



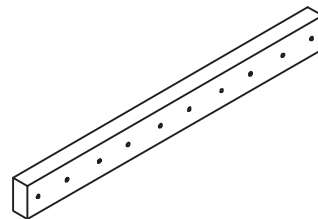
7 BACKREST SLATS X 2PCS



8 BACKREST SLATS X 4PCS

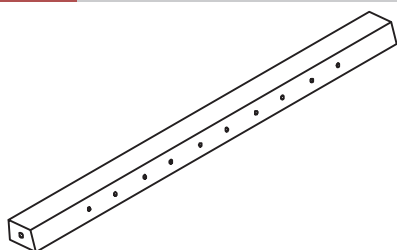


9 BACKREST SLATS X 4PCS

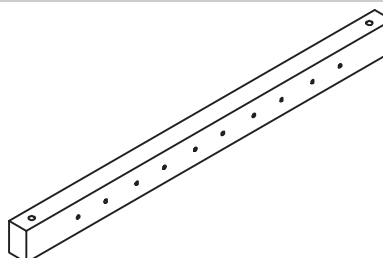


10 BACKREST CROSSBAR X 2PCS

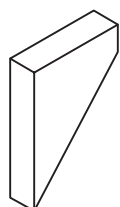
NOTE: Please read all instructions carefully before starting assembly. Also, we recommend that the unit is fully assembled on a level surface. Two people are recommended to assemble this product. DO NOT over torque screws and bolts.



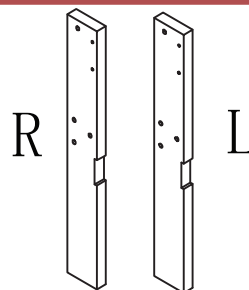
11 BACKREST CROSSBAR X 2PCS



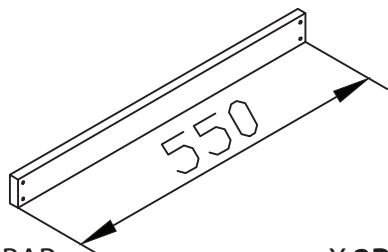
12 BACKREST CROSSBAR X 2PCS



13 SUPPORT X 4PCS



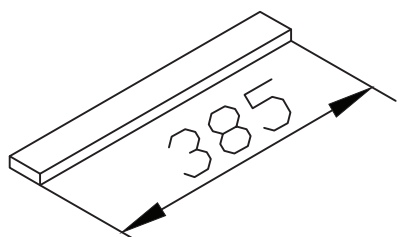
14 LEGS X 4PCS



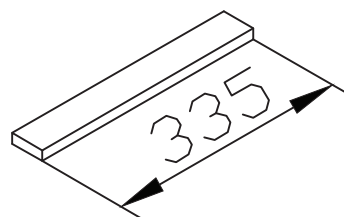
15 CROSSBAR X 2PCS



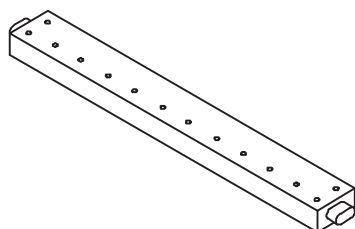
16 TABLE LEG X 4PCS



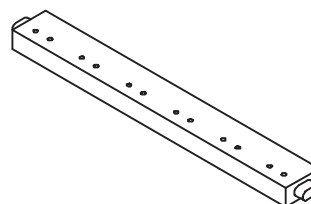
17 UPPER TABLE SLATS X 7PCS



18 LOWER TABLE SLATS X 6PCS

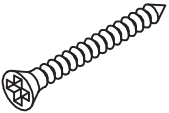
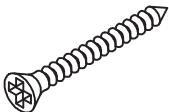




19 UPPER TABLE CROSSBARS X 2PCS



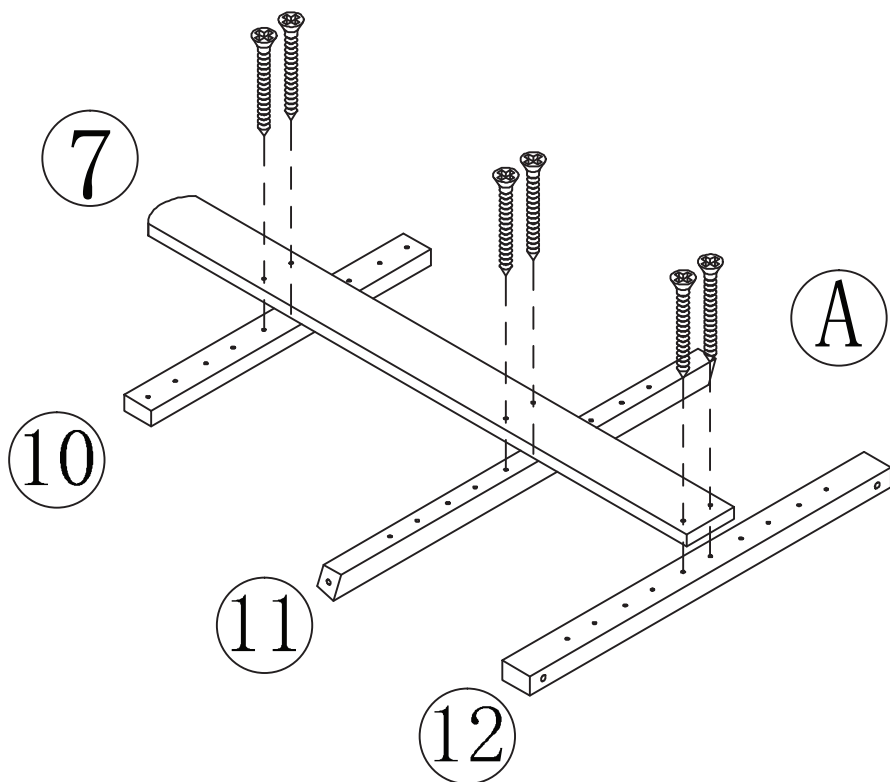
20 LOWER TABLE CROSSBARS X 2PCS

NOTE: Please read all instructions carefully before starting assembly. Also, we recommend that the unit is fully assembled on a level surface. Two people are recommended to assemble this product. DO NOT over torque screws and bolts.

- A  SCREW 3.5X30 **164PCS**
- B  SCREW 3.5X40 **32PCS**
- C  SCREW M6X55 WITH NUT **16PCS**
- D  SCREW M6X55 **8PCS**

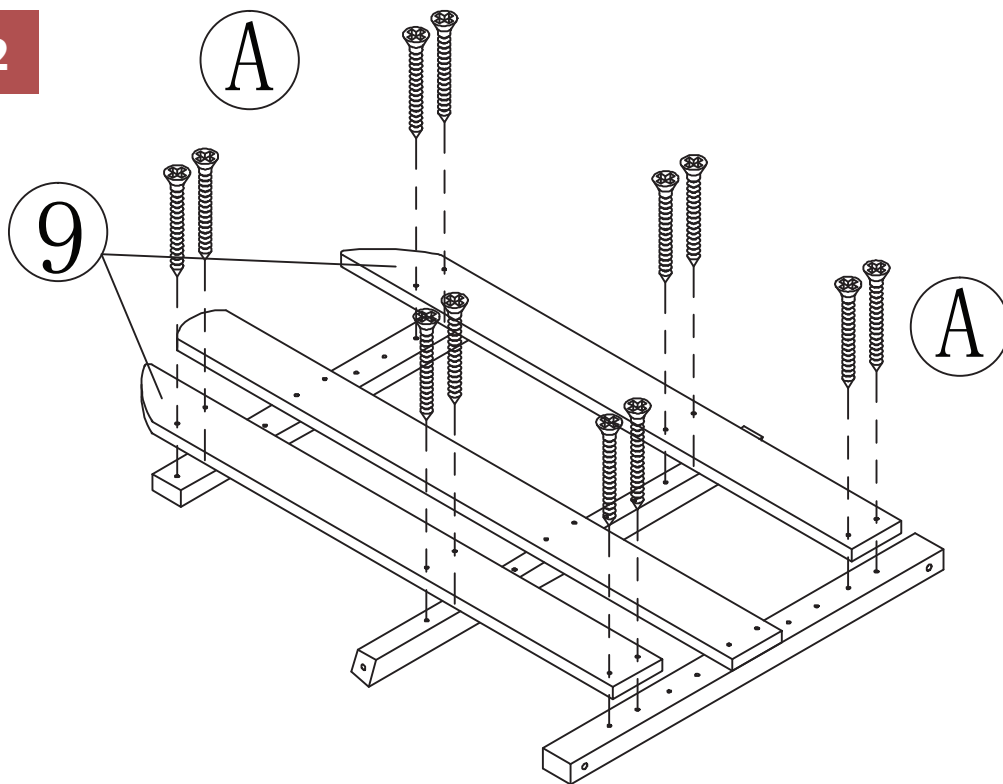
NOTE: Please read all instructions carefully before starting assembly. Also, we recommend that the unit is fully assembled on a level surface. Two people are recommended to assemble this product. DO NOT over torque screws and bolts.

1



X 2

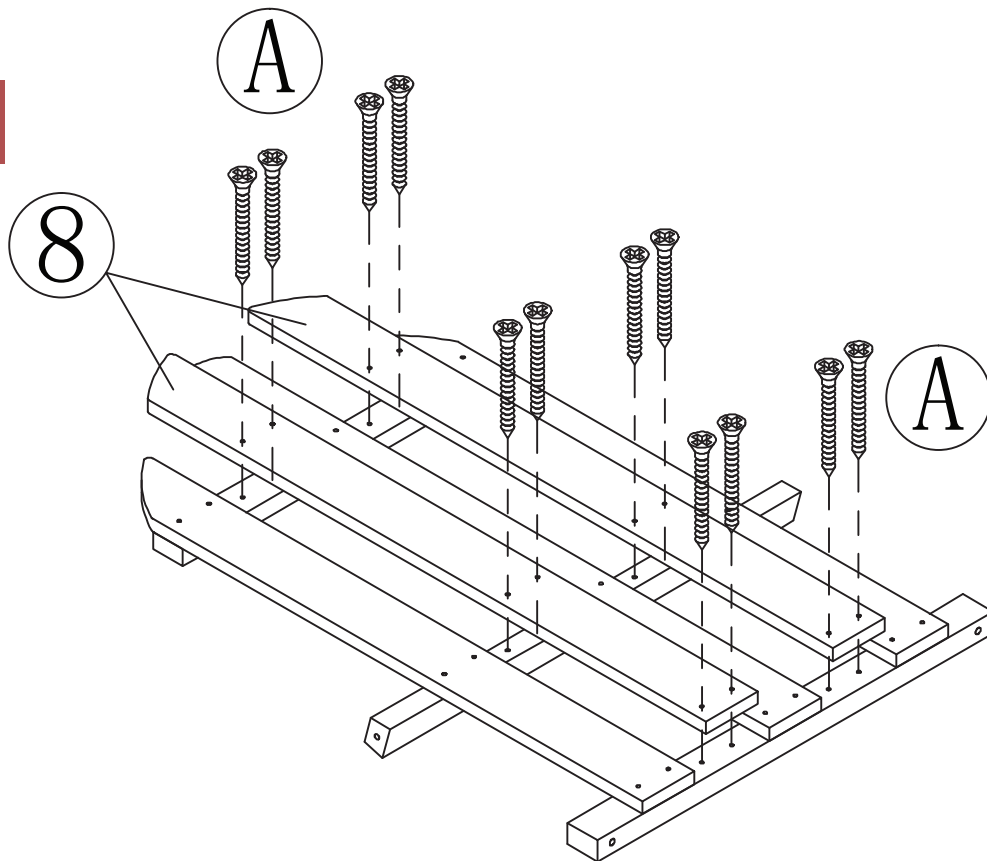
2



X 2

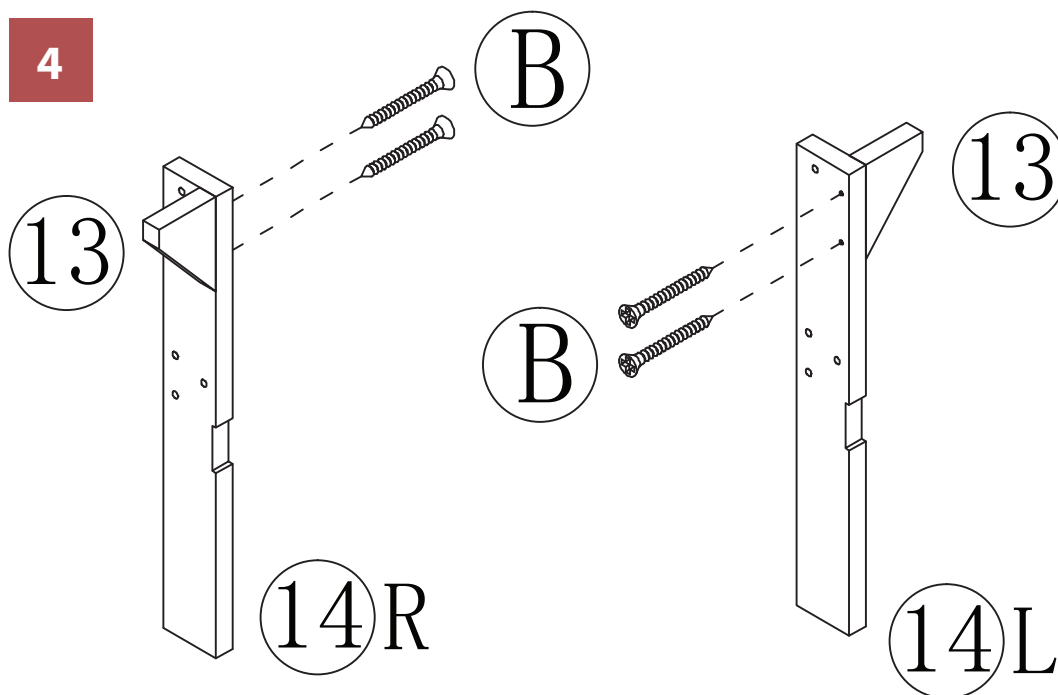
NOTE: Please read all instructions carefully before starting assembly. Also, we recommend that the unit is fully assembled on a level surface. Two people are recommended to assemble this product. DO NOT over torque screws and bolts.

3



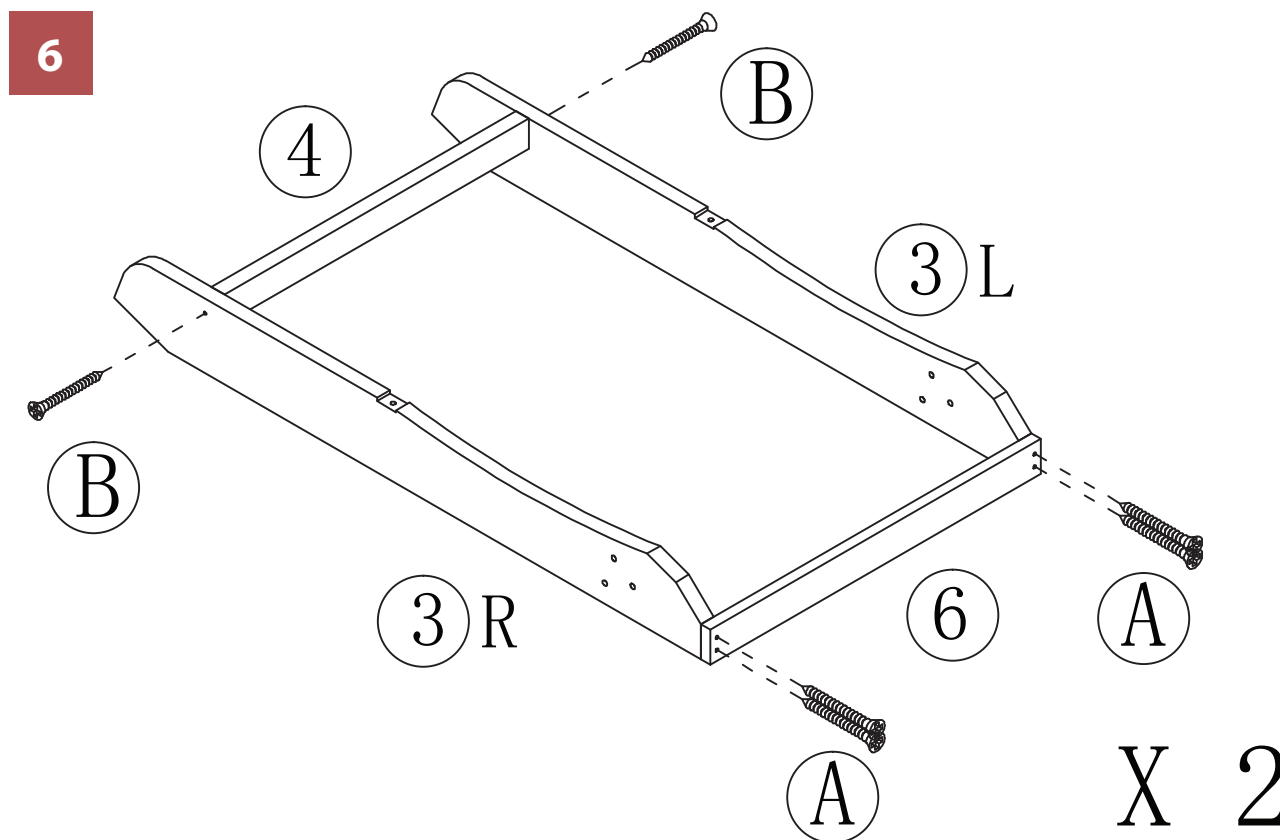
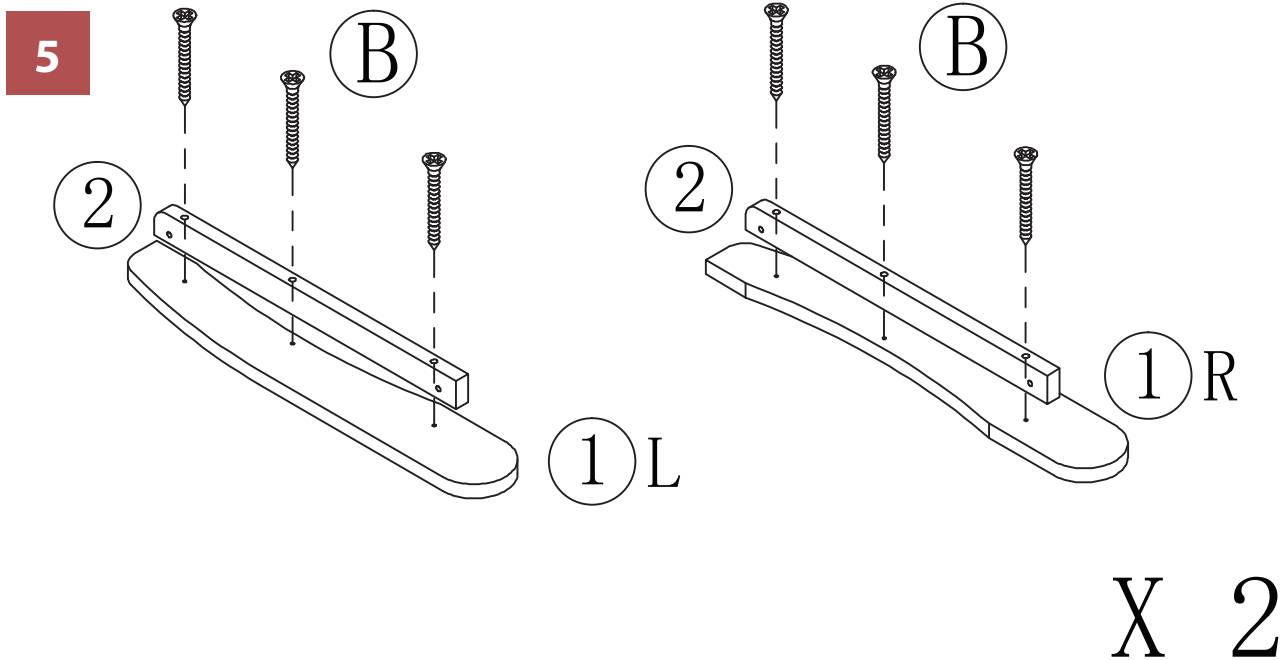
X 2

4



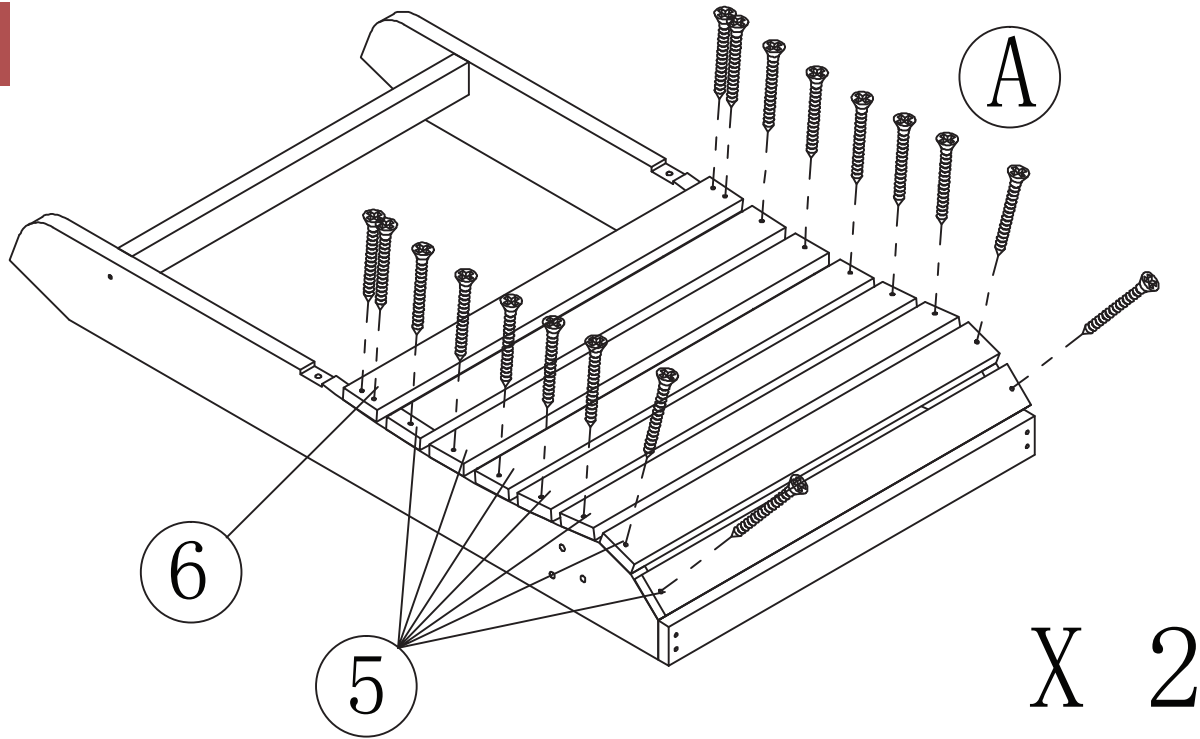
X 2

NOTE: Please read all instructions carefully before starting assembly.
 Also, we recommend that the unit is fully assembled on a level surface.
 Two people are recommended to assemble this product.
 DO NOT over torque screws and bolts.

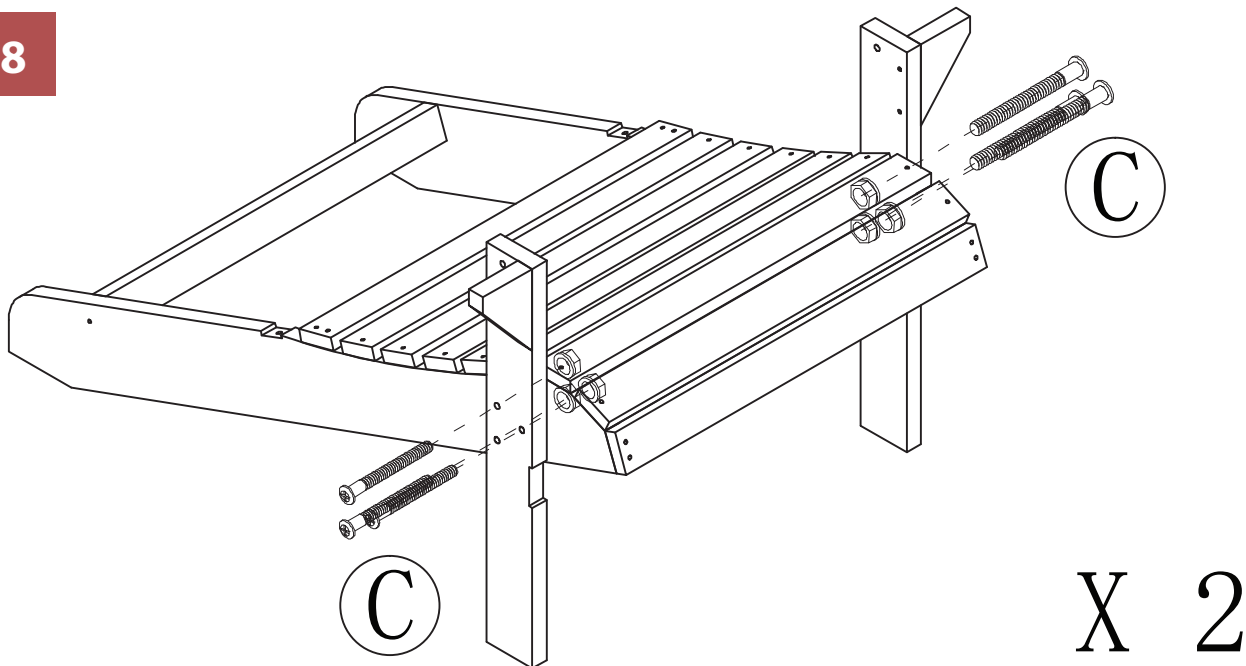


NOTE: Please read all instructions carefully before starting assembly.
 Also, we recommend that the unit is fully assembled on a level surface.
 Two people are recommended to assemble this product.
 DO NOT over torque screws and bolts.

7

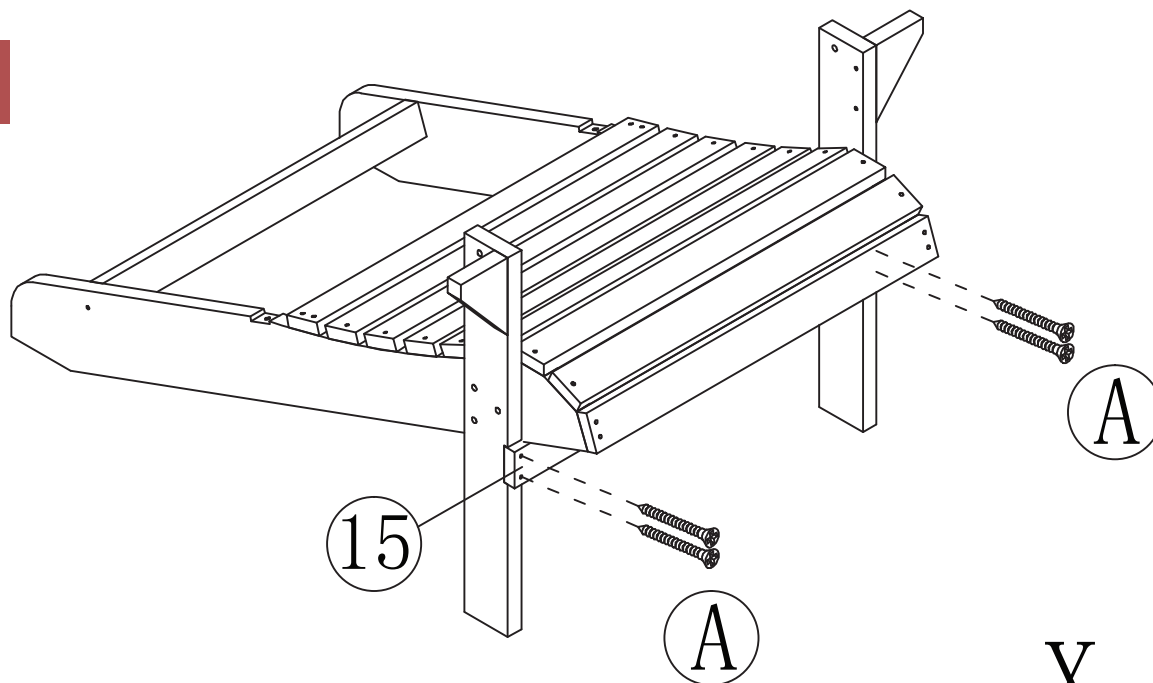


8



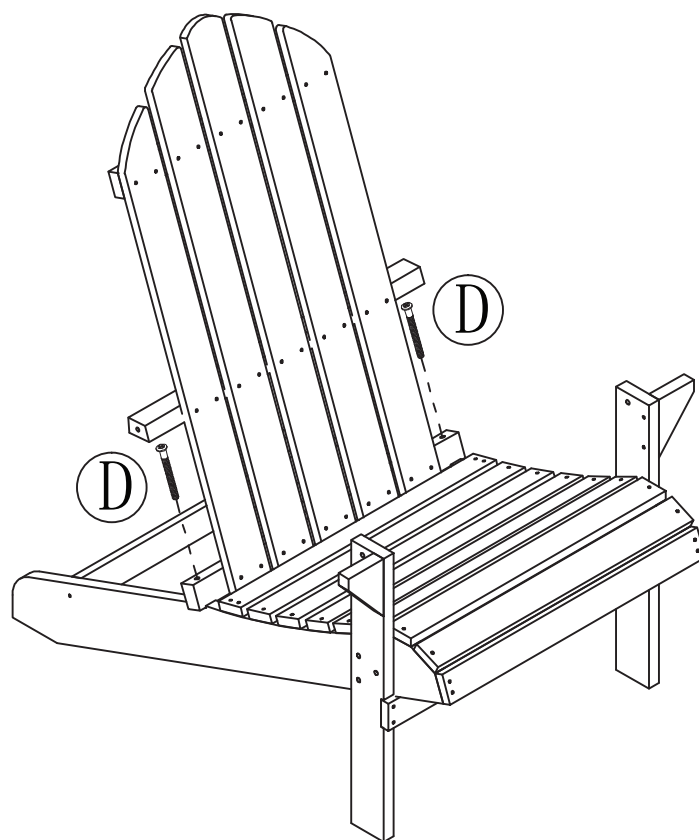
NOTE: Please read all instructions carefully before starting assembly.
 Also, we recommend that the unit is fully assembled on a level surface.
 Two people are recommended to assemble this product.
 DO NOT over torque screws and bolts.

9



X 2

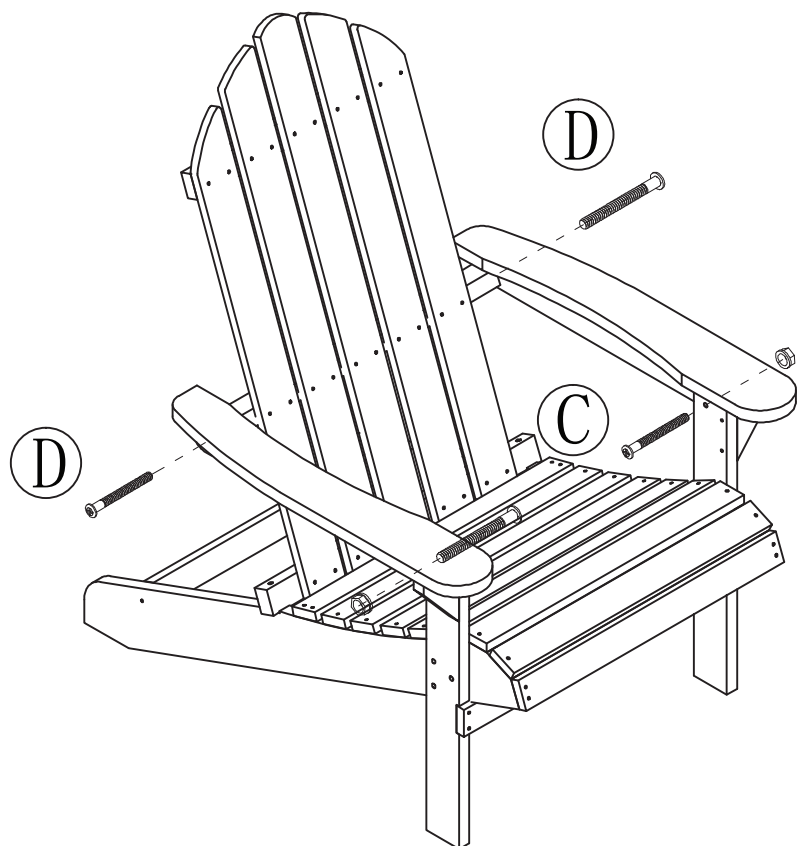
10



X 2

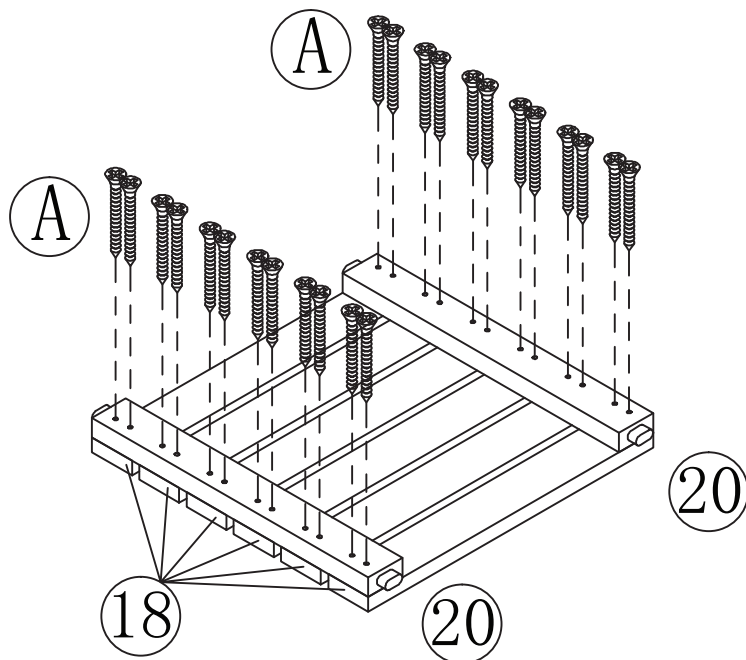
NOTE: Please read all instructions carefully before starting assembly.
 Also, we recommend that the unit is fully assembled on a level surface.
 Two people are recommended to assemble this product.
 DO NOT over torque screws and bolts.

11



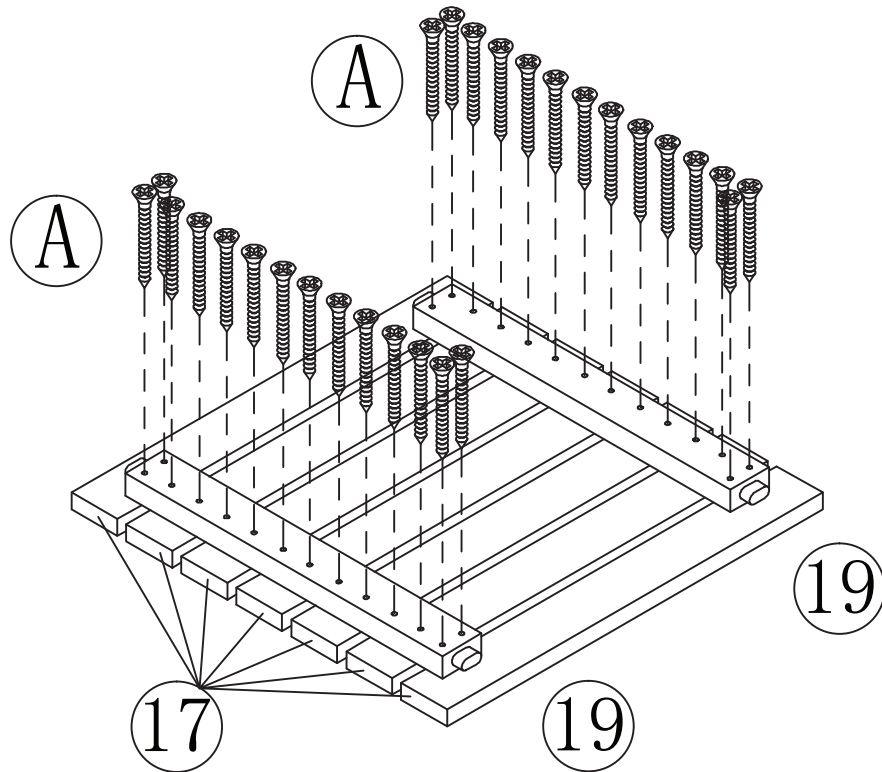
X 2

12

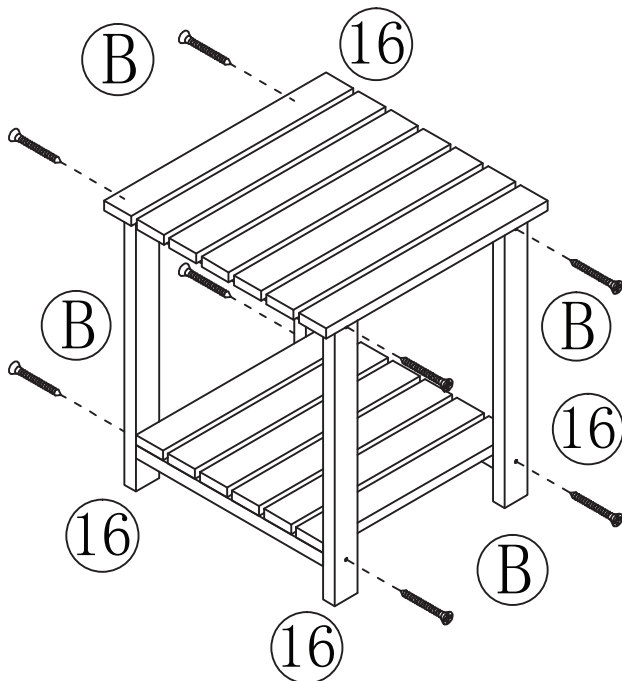


NOTE: Please read all instructions carefully before starting assembly. Also, we recommend that the unit is fully assembled on a level surface. Two people are recommended to assemble this product. DO NOT over torque screws and bolts.

13



14



15



NOTE: Please read all instructions carefully before starting assembly. Also, we recommend that the unit is fully assembled on a level surface. Two people are recommended to assemble this product. DO NOT over torque screws and bolts.

Please check contents before assembly. If any items are missing or damaged, do not take the unit back to the store. Call one of the following numbers. By calling us, we will save you time by correcting any problems directly for you.

Customer Care

1-800-222-5381

7:00AM - 6:00PM CT, Mon - Fri

8:00AM - 5:00PM CT, Sat

Replacement Parts

1-800-657-0516

7:00AM - 6:00PM CT, Mon - Fri

7:00AM - 3:00PM CT, Sat

NOTE: Please read all instructions carefully before starting assembly. Also, we recommend that the unit is fully assembled on a level surface. Two people are recommended to assemble this product. DO NOT over torque screws and bolts.