

Manufacture's Limited Warranty for Broadcast Spreader

The limited warranty set forth below is given by Precision Products Inc. with respect to new merchandise purchased and used in the United States, its possessions and territories.

Precision Products Inc. warrants the product(s) listed against defects in material and workmanship, and will at our option, repair or replace, free of charge, any part found to be defective in materials or workmanship. This limited warranty shall only apply if this product has been assembled, operated, and maintained in accordance with the owner's manual furnished with the product, and has not been subjected to misuse, abuse, neglect, accident, improper maintenance, alteration, vandalism, theft, fire, water, or damage because of other peril or natural disaster.

Normal wear parts or components thereof are subject to separate terms as follows: All normal wear parts or component failures will be covered on the product for a period of one year. Parts found to be defective within the warranty period will be replaced at our expense. Our obligation under this warranty is expressly limited to the replacement or repair, at our option, of parts found to be defective in material and workmanship.

Contacting Service

Warranty parts replacements are available, ONLY WITH PROOF OF PURCHASE, through our Customer Service Department.

Call **1 (800) 225-5891**

This limited warranty does not provide coverage in the following cases:

1. Routine maintenance items such as lubricants and filters.
2. Normal deterioration of the exterior finish due to use or exposure.
3. Transportation and/or labor charges.

No implied warranty, including any implied warranty of merchantability of fitness for a particular purpose, applies after the applicable period of expressed written warranty above as to the part as identified below. No other expressed warranty, whether written or oral, except as mentioned above, given by any person or entity, including a dealer or retailer, with respect to any product, shall bind Precision Products Inc. during the period of the warranty, the exclusive remedy is repair or replacement of the product as set forth above. The provisions as set forth in this warranty provide the sole and exclusive remedy arising from the purchase.

Precision Products Inc. will not be liable for incidental or consequential loss or damage including, without limitation, expenses incurred for substitute or replacement lawn care services, or for rental expenses to temporarily replace a warranted product.

Some states do not allow the exclusion or limitation of

incidental or consequential damages, or limitations on how long an implied warranty lasts, so the above exclusions or limitations may not apply to you.

During the warranty period, the exclusive remedy is replacement of the part. In no event shall recovery of any kind be greater than the amount of the purchase price of the product sold. Alteration of safety features of the product shall void this warranty. You assume the risk and liability for loss, damage, or injury to you and your property and/or to others and their property arising out of the misuse or inability to use this product.

This limited warranty shall not extend to anyone other than the original purchaser or to the person for whom it was purchased as a gift.

Local Law to this Warranty

This limited warranty gives you specific legal rights, and you may also have other rights which vary from state to state.

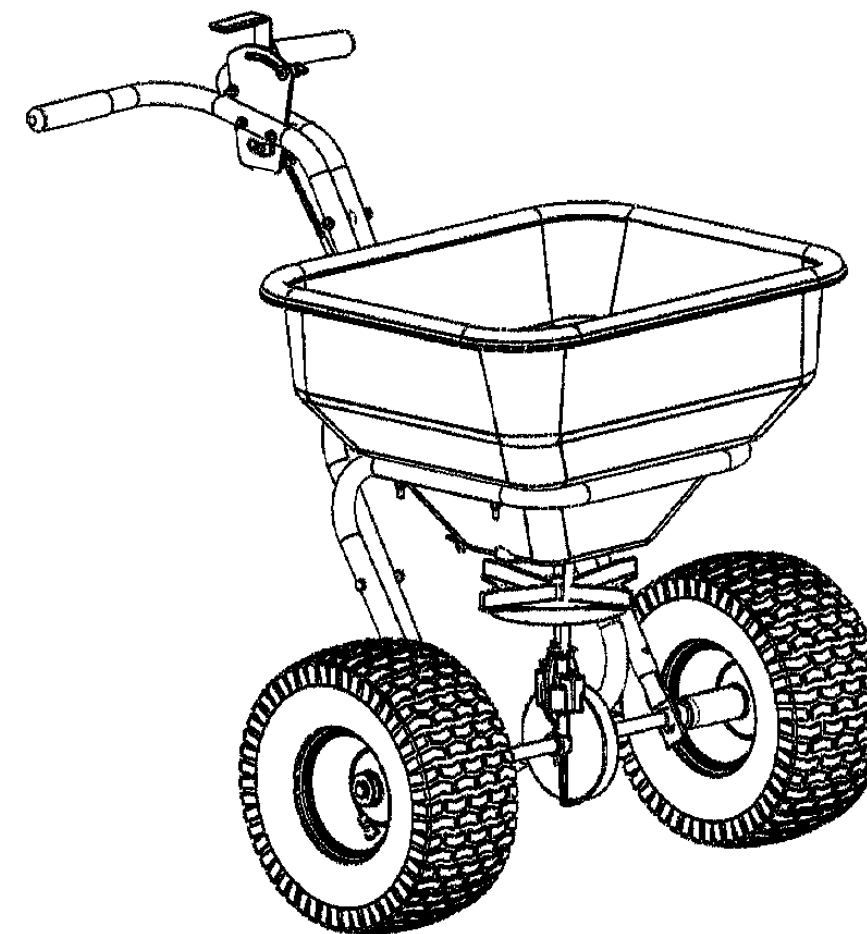
Warranty Period

The warranty period stated below begins with the **Proof of Purchase**. Without the proof of purchase, the warranty period begins from the date of manufacture.

Product Warranty Period

The warranty period for this product is as follows: All parts are covered for 1 year.

2011



Tread pattern on tires may vary.

Manual Contents

Safety Instructions.....	2
Carton Contents	2
Assembly	3-4
Operation.....	5&8
Maintenance.....	5
Parts	6-7
Application Chart.....	8-9
Warranty	10

Your New Broadcast Spreader

Congratulations on your purchase of a new Precision Products Inc. Broadcast Spreader. Your spreader has been engineered and built to give you the most dependable and best performing product possible.

If you experience any problem you can not easily resolve, please feel free to contact our knowledgeable and helpful customer service department toll-free at **1 (800) 225-5891**.

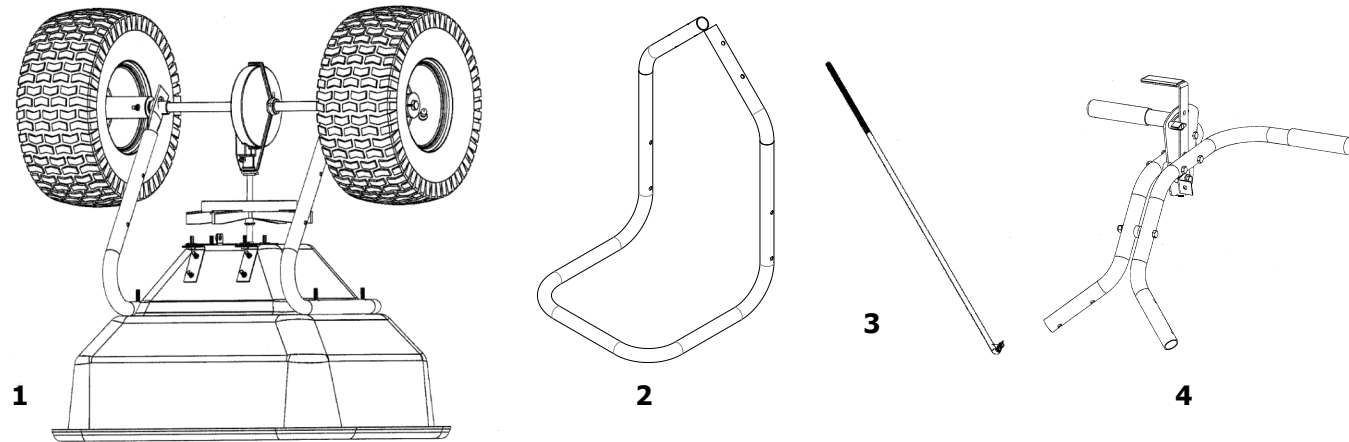
Caution: Read all Safety Instructions and Operat-

Safety Instructions

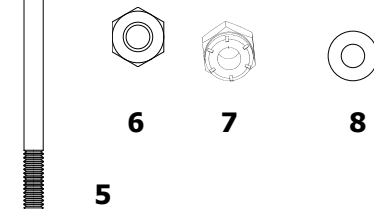
All power equipment can cause injury or property damage if operated improperly. Please read and observe the following safety rules and exercise caution at all times when operating equipment.

- Do not allow anyone to operate the spreader without having read the owner's manual or without having received proper instruction.
- Keep people and animals at a safe distance.
- Always wear substantial footwear. Do not wear loose fitting clothing that may get caught in moving parts.
- This unit may have sharp points. Handle with care.
- Stay alert for holes in the terrain and other hidden hazards.
- Always operate up and down a slope, never across the face of a slope.
- Keep all nuts, bolts and screws tight to be sure the equipment is in safe working condition.
- The spreader should be stopped and inspected for damage after striking a foreign object. Any damage should be repaired before restarting and operating the equipment.
- Follow the maintenance instructions as outlined in this owner's manual.

Carton Contents



Parts Used During Assembly



This is NOT total number of parts.
See page 8 & 9 for full listing.

Having Problems?

Installation Questions?

Missing Parts?

Replacement Parts?

Don't go back to the store!

Let us help you!



Please call our helpful Customer Service Department Toll-Free at **(800) 225-5891**. We will be happy to assist you.

Ref.	Qty	Description
1	1	Hopper Assembly
2	1	Leg
3	1	Upper Rod Galvanized
4	1	Handle Assembly
5	8	1/4" x 2.5" Hex Head Bolt
6	2	1/4" Hex Nut
7	9	1/4" Nylock Nut
8	8	1/4" Washer

Calculating Your Flow Setting

To calculate how many pounds of material to spread per 1000 square feet of lawn. Follow these steps.

1. Read on your material bag how many square feet of area the contents of the bag will cover and how many pounds the bag weighs.
Example:
You have purchased a bag of fertilizer that states that it will cover 5,000 square feet, and weighs 16.0 pounds.
2. To calculate coverage divide bag weight by suggested coverage to obtain pounds per square foot that is needed to be applied.
Example:
 $16.0 \text{ lbs.} \div 5,000 \text{ sq. ft.} = .0032 \text{ lbs./sq. ft.}$
3. To calculate how much you need for 1000 sq. ft. multiply the pounds per square foot obtained above by 1000.
Example:
 $.0032 \text{ lbs./sq. ft.} \times 1000 = 3.2 \text{ lbs./1000 sq. ft.}$
4. Refer to standard settings table and locate the appropriate settings number.
Example:
3.2 lbs./1000 sq. ft is closest to a 3 lbs./1000 sq. ft so the spreader setting is a 2.5.

These are general information setting intended to be used as only references.

STANDARD SETTINGS

Fertilizer	Setting	Broadcast Spreaders
2.5	2	
3.0	2.5	
3.5	2.75	
4.0	3	

2.5	2
3.0	2.5
3.5	2.75
4.0	3

Grass Seed	Setting
Blue Grass	1.5
Bent Grass	1.5
Fine Mixture	5
Coarse Seed	5

Blue Grass	1.5
Bent Grass	1.5
Fine Mixture	5
Coarse Seed	5

Insecticide (Diazinon)	Setting
	1.75

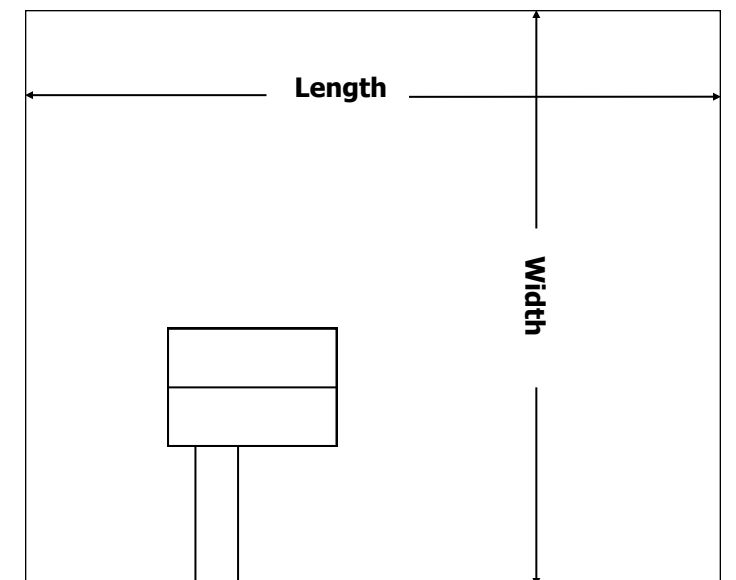
$$\begin{aligned} & \text{Length} \\ \times & \text{Width} \\ \hline & \text{Total sq. ft.} \\ - & \text{Non-Lawn Area} \\ & \text{House, drive etc.} \end{aligned}$$

Caution

On the bag of **fertilizer** there should be a **chart** that gives the recommended settings for that particular bag. Because different manufactures of **fertilizer** make the granules different sizes it is impossible for spreader manufactures to give guidelines for all of the different fertilizers. In addition to this walking speed and terrain, may vary, therefore settings may need to be adjusted. Because of these conditions, Precision Product Inc. makes no warranty as to the uniformity of coverage actually obtained from any of these calculations.

$$= \frac{\text{Total sq. ft.}}{\text{Coverage}}$$

CALCULATING COVERAGE AREA



Broadcast Spreader Application

Applying Product

1. Set Flow Rate

- Calculate or find the rate setting for the product being spread. See the calculation chart on the next page.
- With control lever in the off position, press down on the calibration indicator button and slide it to desired setting number.

2. Fill the Hopper

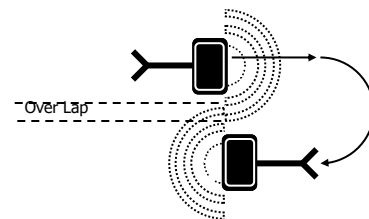
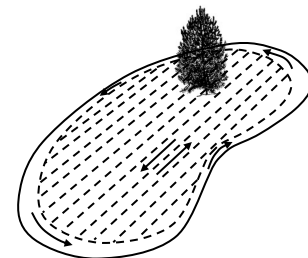
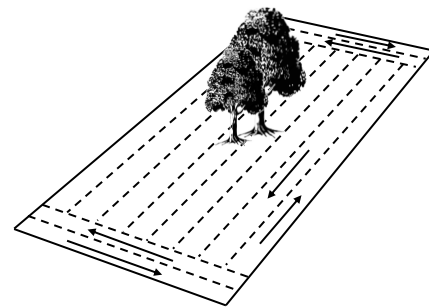
- With the spreader control lever in the off position, fill the spreader over a patch of bare ground or sidewalk/driveway.
- **DO NOT** fill the spreader on the lawn. Sweep up any spilled product.

3. Apply

- While unit is in motion at approximately 3 miles per hour, push spreader control lever up to calibration indicator button to release product.

Application Tips

- **For rectangular lawns**, apply two header strips at each end of the lawn and then go back and forth between the header strips. Close spreader at the end of each pass and reopen at the start of next pass.
- **For irregular-shaped lawns**, apply one header strip around the entire lawn, and then go back and forth.
- To avoid streaks or misses, slightly overlap each strip over the edge of the previous strip.
- Use the settings under "Standard Settings" Section for most applications by figuring lbs. per 1000 square feet.
- These numbers are for a one pass application.
- A two pass application is recommended, using a crisscross pattern. If using this method, us half the setting number given.
- If you think too much is being applied, cut down your setting. The solution for too much fertilizer is water.
- Close Spreader at the end of each pass. Open again at the start of your next pass.



Assembly Instructions

Tools Required for Assembly

Minimum
(2) 7/16" Wrenches

Remove from Carton

Remove all parts and hardware packages from the carton. Lay out all parts and hardware and identify them using the illustrations on pages 2 and 3.

1. Attach the Leg to the Wrap Around Support, using four 1/4" x 2-1/2" Hex Head Bolt. Place a 1/4" Flat Washer onto a bolt, insert it through the Wrap Around Support, through the Leg and secure with 1/4" Nylock Nut. Complete the additional three bolts in the same manner. See Figure 1.

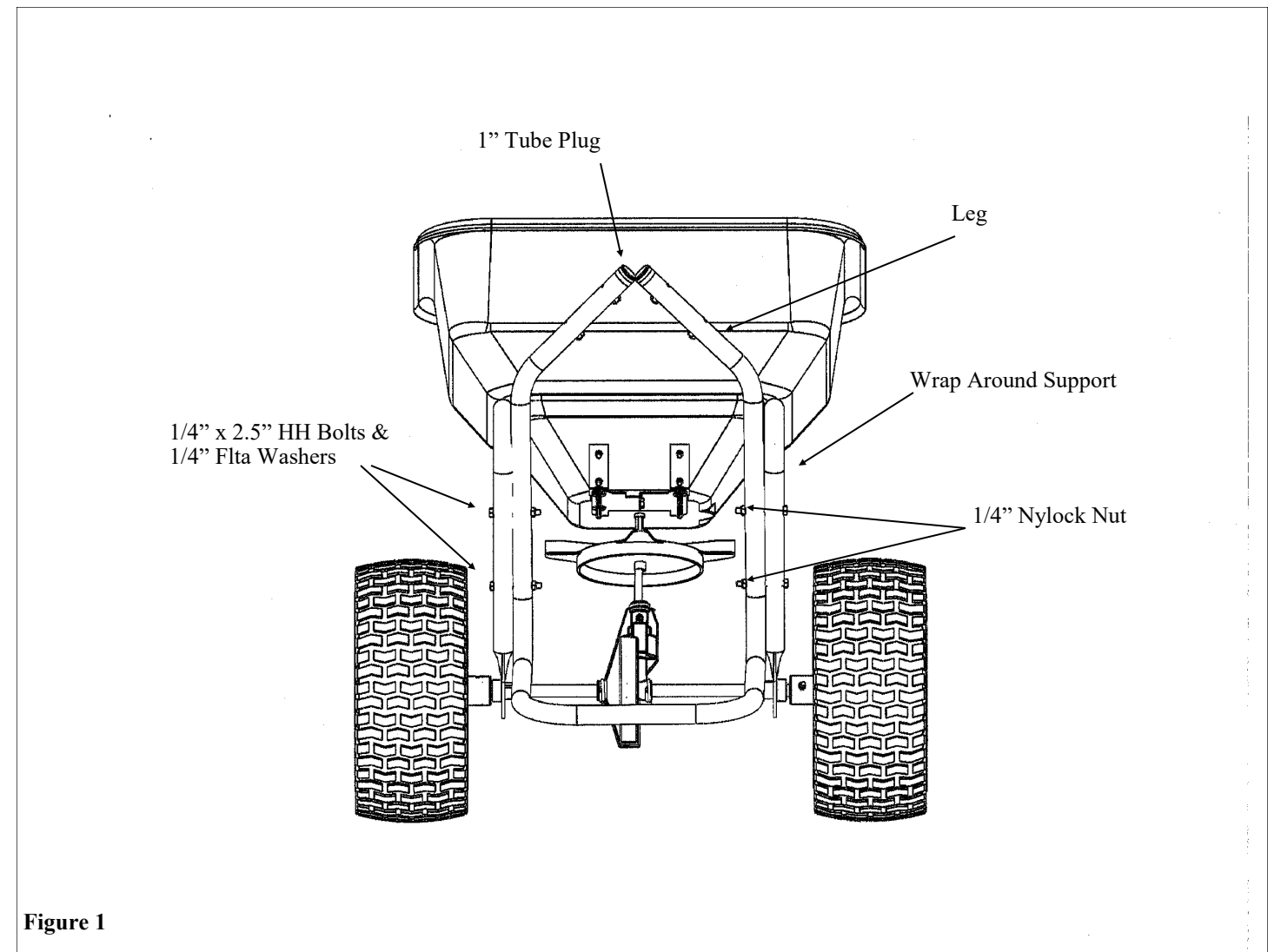


Figure 1

2. Attach Handle Assembly to the outside of the Leg. Using four 1/4" x 2-1/2" Hex Head Bolts, attach a 1/4" Flat Washer to each bolt insert through the Handle then through the Leg, place another 1/4" Flat Washer onto each bolt and secure with a 1/4" Nylock Nut. See Figure 2.

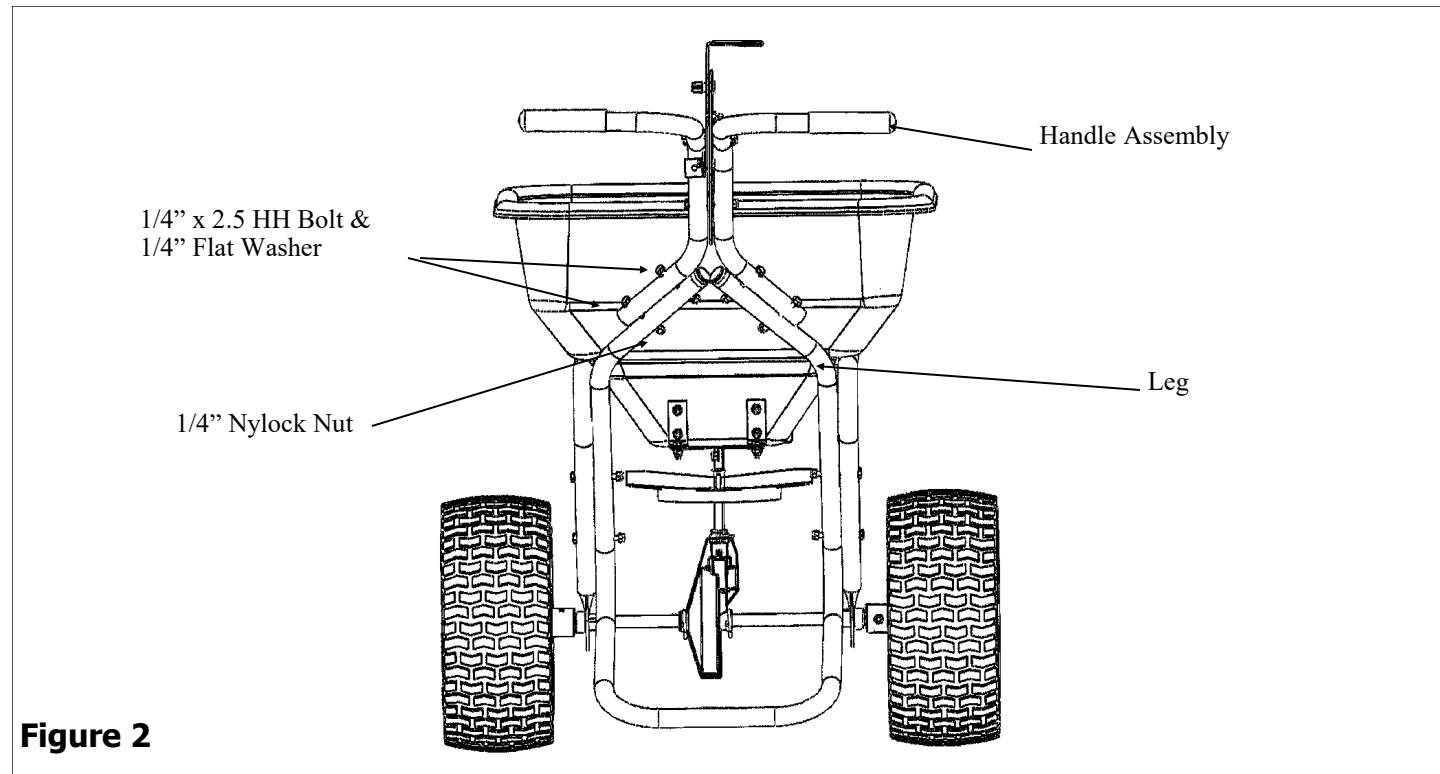


Figure 2

3. Secure the Upper Rod to the Adj Tab by putting one 1/4" Hex Nut onto Upper Rod then putting upper Rod through Adj Tab and secure with another 1/4" Hex Nut. Secure other end of Upper Rod to Slide Plate using a 1/4" Nylock Nut. See Figure 3.

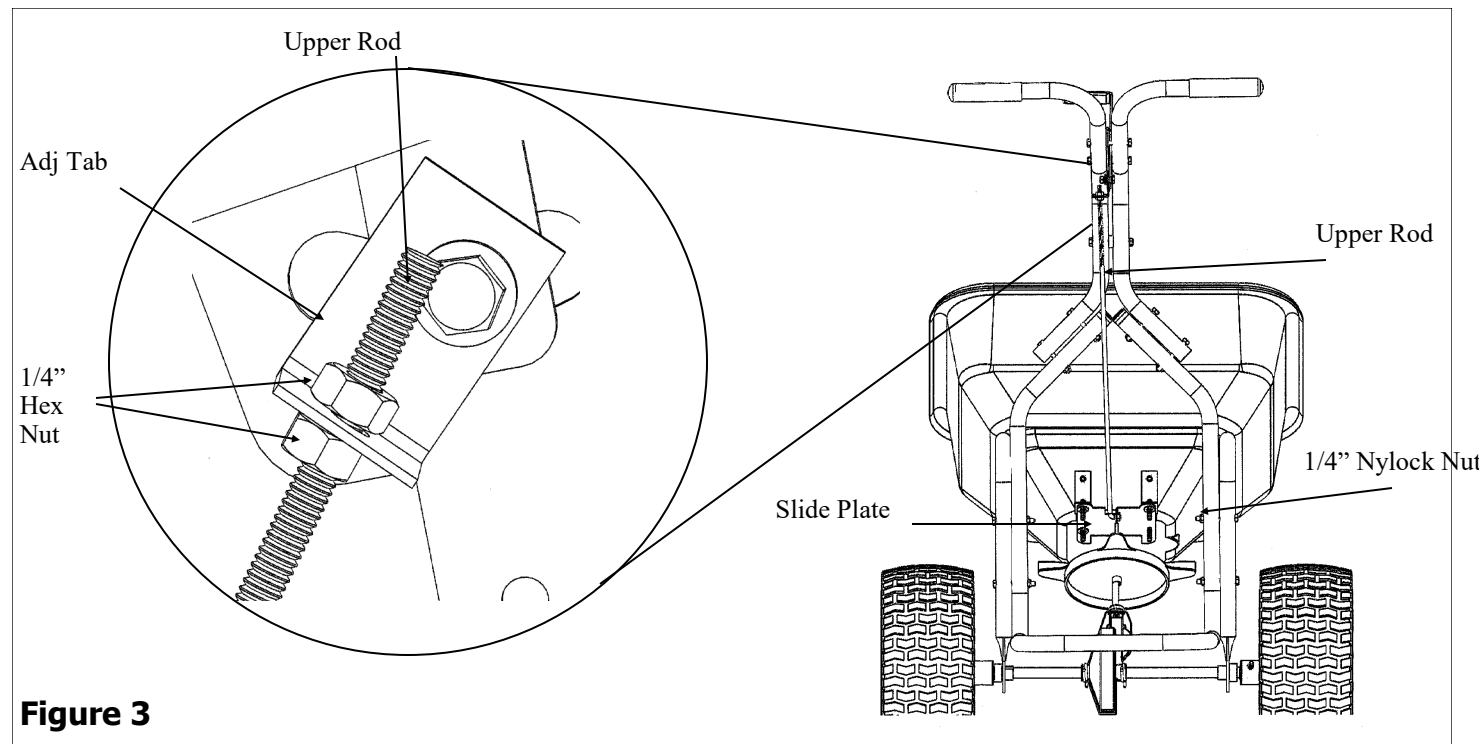


Figure 3

Ref No.	Part No.	Qty.	Description
1	6506JD	1	Hopper
2	6543-19	1	Gear Case Assembly
3	2614	1	Spinner Disc
4	3924R	1	Left Handle
5	3925R	1	Right Handle
6	3926TB	1	Leg
7	6551R	1	Wrap Around Support
8	3882B	1	Strainer *
9	6523	1	Number Pad
10	3498	2	Wheel
11	6524B	1	Upper Adj Handle
12	6525B	1	Adj Handle Tab
13	6502SS	2	Slide Plate Support Tab SS
14	6504SS	1	Slide Plate Stainless
15	6503SS	1	Pressure Plate Stainless
16	7131P	1	Axle 24"

Not all parts shown.

Ref No.	Part No.	Qty.	Description
17	6555GV	1	Control Rod Galvanized
18	6507SS	1	Agitator Stainless
19	1558	25	1/4" Nylock Nut
20	6214	2	5/8" Wheel Bushing
21	3060	2	1" Tube Plug *
22	1646	1	5/8" Flat Washer
23	1262	1	Cotter Pin 1/8" x 1-1/4"
24	2174	1	3/8" Retaining Ring
25	1817	19	1/4" Flat Washer
26	2906	1	Rain Cover*
27	3042	2	1" x 4" Handle Grip
28	6537	1	Foam Grip 1" x 2-3/4"
29	2828	1	Wing Nut
30	6544	1	Thumb Screw 1/4" x 1"
31	1270	2	1/4" Hex Head Nut
32	1643SS	8	1/4" x 3/4" HH Bolt Stainless
33	6505	6	1/4" Nylon Washer
34	1558SS	8	1/4" Nylock Nut Stainless
35	6538	1	1/2" x 3/8" Nylon Bushing
36	5590SS	1	3/8" Nylock Nut Thin Jam SS
37	2385	11	1/4" x 2.5" HH Bolt
38	2178	2	Rubber Roller 5/16" ID x 5/16"
39	1643	1	1/4" x 3/4" HH Bolt
40	1647	1	1/4" x 1/2" HH Bolt
41	6129	4	1/4" x 1.75" HH Bolt
42	1086	1	1/4" x 2" HH Bolt
43	1647	1	1/4" x .5" HH Bolt

Parts and Support

STOP Please do not return this product to the store prior to contacting Precision.

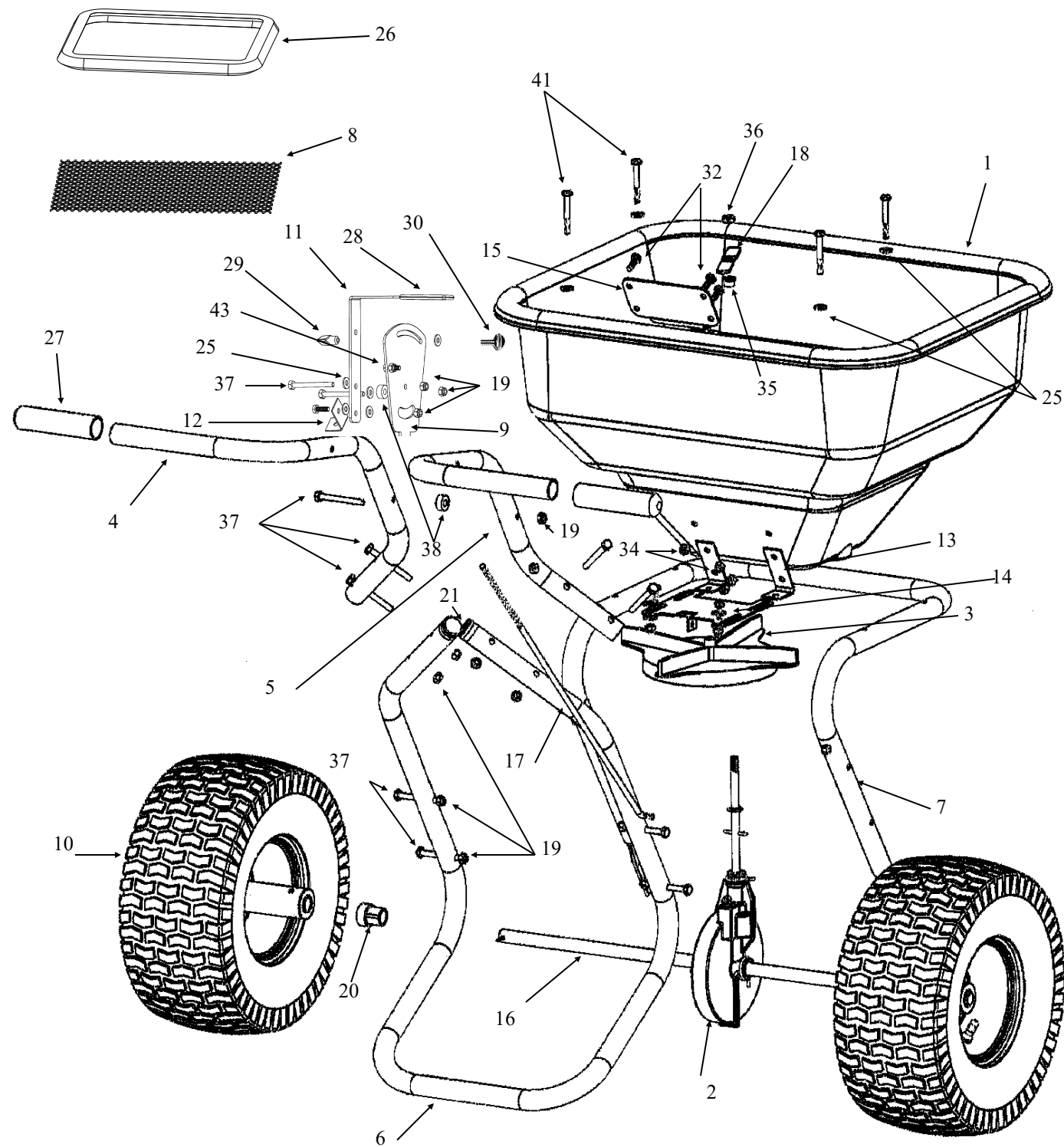
At Precision Products Inc. our goal is to deliver quality, value and outstanding service. If for any reason our product does not meet your expectations, please contact us and we will take care of any problem you may have with this unit.

When ordering replacement parts please have the model number, part description, part number, inspector number and date on the box, available so that we can best serve you.

1 (800) 225-5891

www.precisionprodinc.com

**Precision Products Inc.
316 Limit St.
Lincoln IL 62656**



Using Your Spreader Controller

Settings are made by moving the Calibration Indicator Thumb Screw and setting to the desired number on the Control Cable Assembly. See Figure 4

See Application Chart For Setting Information.

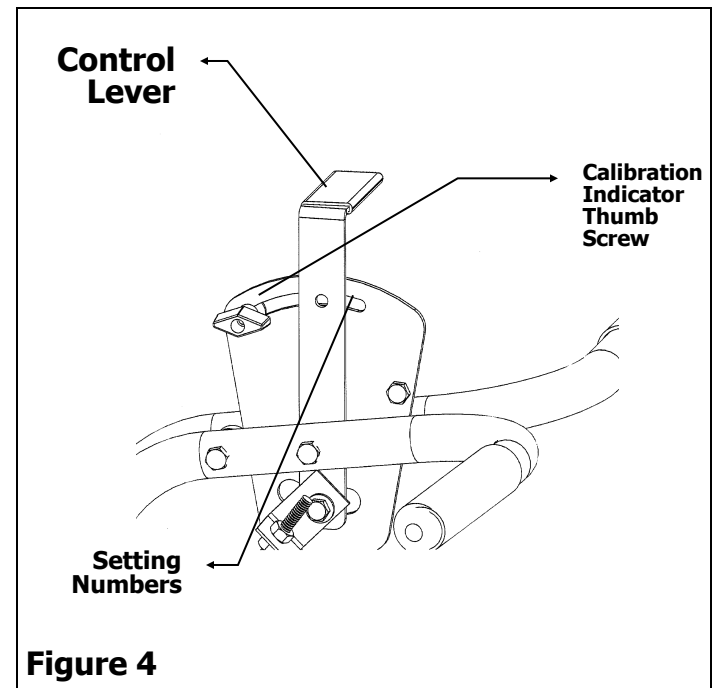


Figure 4

ON—Push the Control Lever forward until it stops against Calibration Button.

OFF—Pull Control Lever back until it stops.

Maintenance Instructions

1. Empty hopper after each use. Do not store spreader with material left in hopper.
2. Wash spreader thoroughly and wipe dry.
3. Lubricate all moving parts. Use a grease gun to apply grease to the gearbox assembly. **CAUTION: Use a reasonable amount of grease. DO NOT pack gearbox full of grease.** Apply oil to spinner shaft (including area shaft that extends through hopper), side plate and where the spinner shaft and axle extend through the gearbox.

Broadcast Spreader Operation

1. Always have the control lever in OFF position before filling the hopper.
2. Always push the spreader forward to operate: do not operate in reverse.
3. Start moving forward before pushing the control lever to the ON position. Pull the control lever to OFF position before stopping or turning.
4. Push the spreader at a steady pace.
5. To avoid misses or striping, space each pass across the lawn so approximately 20% of the spread with overlaps onto the previous pass. This provides a "feathered" overlap to even out distribution over the width of the spread.

DO NOT allow spreader to sit stationary with material in the hopper and control lever in the ON position

CAUTION: Care must be taken with any weed killer, pesticide, or combination product. They can be harmful to other plant life in the lawn.

Maximum operating weight—120 lbs.