

F80 FLEX-SELECT® Series Broadcast Spreader Assembly and Operating Instructions

EarthWay®
EV-N-SPRED
FLEX-SELECT

PLEASE CONTACT US: IF YOU ARE MISSING ANY PARTS, HAVE ANY DIFFICULTY IN ASSEMBLY, OR HAVE ANY QUESTIONS REGARDING THE SAFE OPERATION OF THIS SPREADER. THIS MODEL INCLUDES LIFETIME TECHNICAL SUPPORT. **SUPPORT HOT LINE: 574-848-7491 or 800-294-0671, email: techsupport@earthway.com**

HELPFUL HINTS:

- ☑ If your spreader does not spread evenly, be sure the FRONT on the gear box points to the front of the spreader. The impeller must turn **clockwise**. Reversing the gearbox will cause the impeller to turn counter clockwise. Clean the impeller after each use as some fertilizer may become stuck on the impeller blades and will cause uneven spreading.
- ☑ Your spreader is designed to be pushed at three miles per hour, which is a brisk walking speed. Slower or faster speeds will change the spread patterns. Wet fertilizer will also change the spread pattern and flow rate.
- ☑ Clean and dry your spreader thoroughly after each use, wash between the shut-off plate and bottom of the hopper regularly. To prevent rust, coat all metal parts (inside and out) including inside of the frame tubes with a light oil, silicon spray, or Fluid Film®.
- ☑ Gears are permanently lubricated at the factory. Do not open the gearbox or dirt may enter.
- ☑ When using **Rock Salt** to prevent damage to the gearbox remove salt from the hopper daily. **Rock Salt** will reconstitute back into a solid block if left in the hopper overnight and will damage your gearbox if pushed with the salt in place.

WARNING

Do not use air tools to assemble. To prevent seizing coat all bolts with a wax or grease prior to installation.

Remove all parts, hardware, and assemblies from carton and lay them out on the floor to help in assembly.

Tools needed for assembly
7/16" Wrench
Ratchet and 7/16" socket
Pliers



Download a color version of this manual online at www.earthway.com

1-30-2018 Pt# F52157 PAGE 1

ASSEMBLY

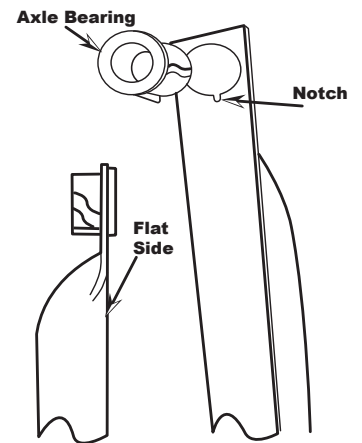
Step 1:

Remove the spreader and parts from the carton and arrange on the floor.

Step 2:

Install the bearing into the Lower Handles. **Note:** Notch on Bearings and slot in the Lower Handles that the bearing fits into. Bearings must go through flat side of Lower Handle (from the outside to the inside).

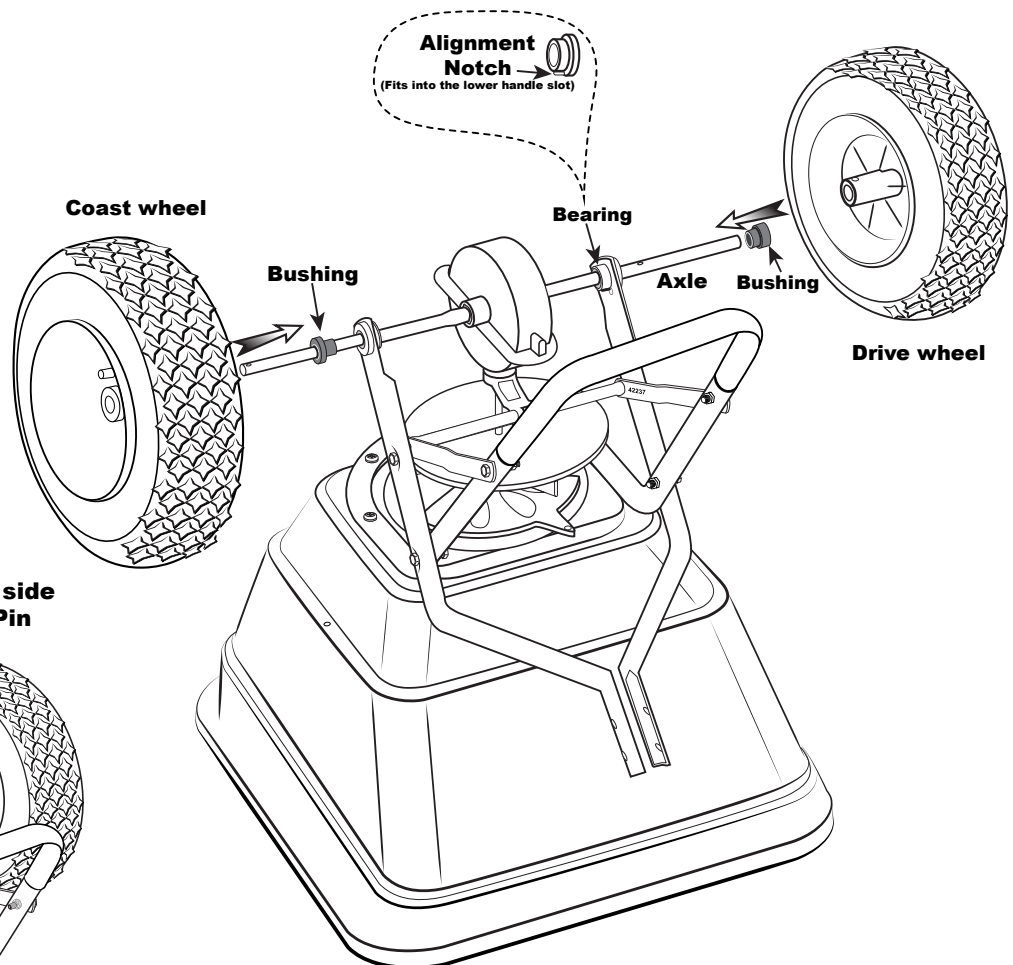
Slide Axle Bushing over Axle and into Axle Bearing to both sides as shown.



Step 3:

Install Drive Wheel onto the Axle and align with the Cotter Pin hole nearest to Lower Handles as shown. Insert 2" Cotter Pin through Wheel and through Axle. Bend with pliers to prevent pin from falling out.

Step 4: Install Coast Wheel onto the Axle fully, then using outside Cotter Pin hole, insert 1" Cotter Pin through Axle (not thru the wheel). Bend with pliers to prevent pin from falling out.



TURN SPREADER UPRIGHT ON TO THE WHEELS to complete the next steps

Coast wheel side
1" Cotter Pin

Drive wheel side
2" Cotter Pin

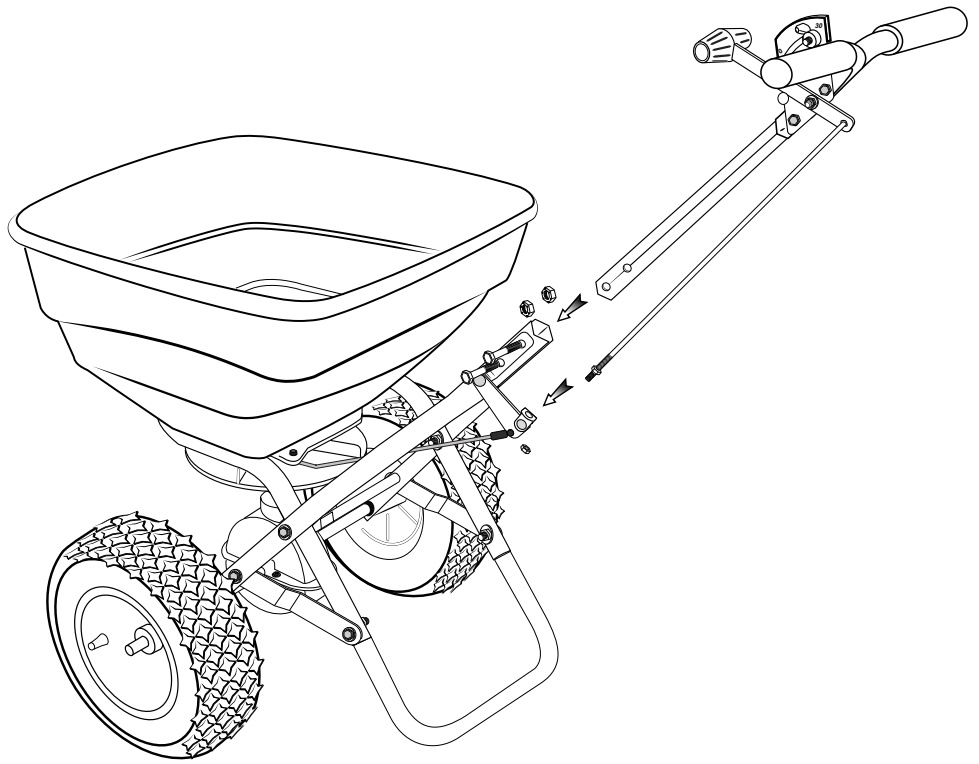
ASSEMBLY - continued

Step 5:

Now remove the Pivot Bracket from the Lower Handles. Keep the 1/4 -20 x 2" bolts and locknuts for use in reinstallation

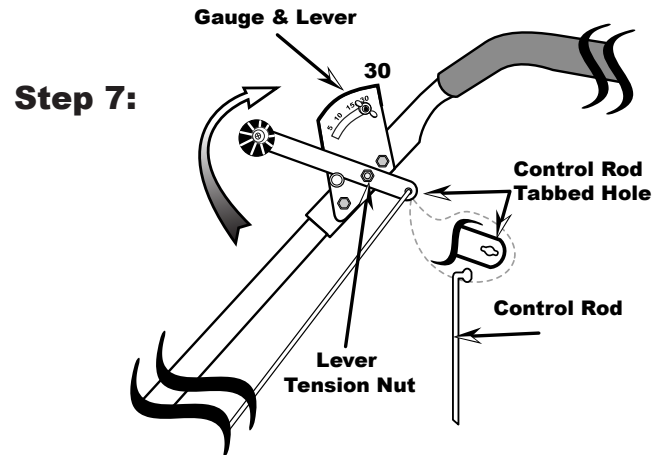
Step 6:

Install Handle Shaft into Lower Handles and then reattach the Pivot Bracket assembly as shown onto the Lower Handles using two 1/4 -20 x 2" bolts and locknuts. **TIGHTEN BOLTS AND NUTS NOW.**



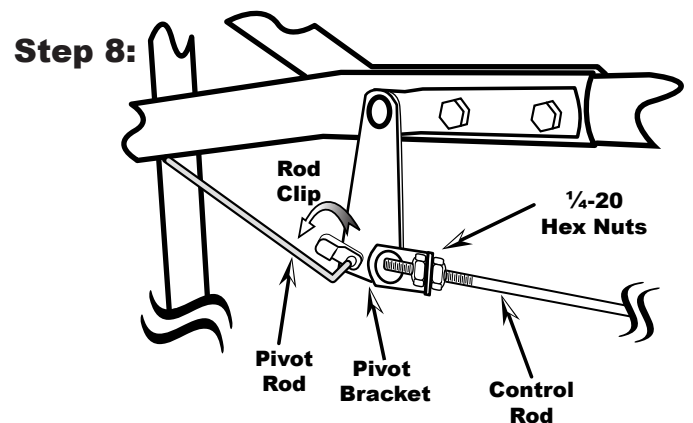
Step 7:

Remove one 1/4-20 Hex Nut from the Control Rod. Next, push Lever forward to setting "0" to help align the Control Rod with hole in Pivot Bracket, pull Lever backward to insert Control Rod through hole in Pivot Bracket. Now install 1/4-20 regular nut on to Control Rod.

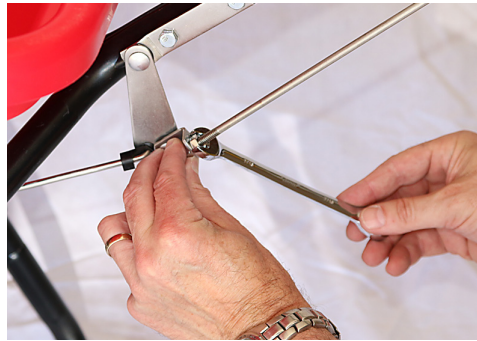


Step 8:

Insert the Pivot Rod into the Rod Clip that is installed in the Pivot Bracket. **Note:** Make sure to ensure that the Rod Clip is installed as shown to the right.



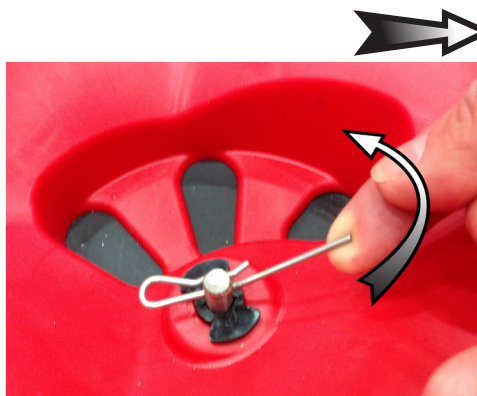
ASSEMBLY - continued →



CONFIRM THE CALIBRATION:
Lever at #30 and the drop holes fully open

TO COMPLETE ASSEMBLY:
Install Agitator, bend the Agitator up slightly to prevent contact with the **STANDARD-OUTPUT** tray, and install debris screen. Press over 1/4 turn fasteners to secure.

This only applies to the RED 3-hole drop STANDARD-OUTPUT Trays.
The HIGH-OUTPUT (Blue) and LOW-OUTPUT (Black)Trays do not use the Agitator or Debris Screen shown below.



The Agitator and Screen above
Are only included with RED STANDARD-OUTPUT Trays.

TRAY INSTALLATION



HIGH-OUTPUT requires the use of the Part #F12117



No Agitator or Debris screen are included



LOW-OUTPUT requires the use of the Part #F12117

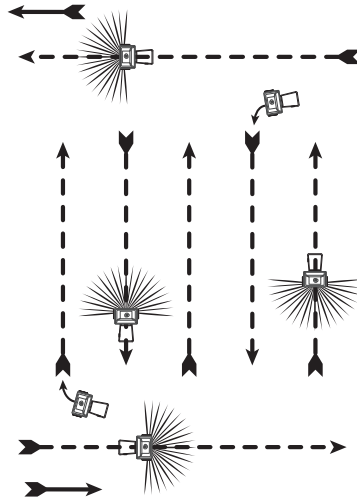


No Agitator is included

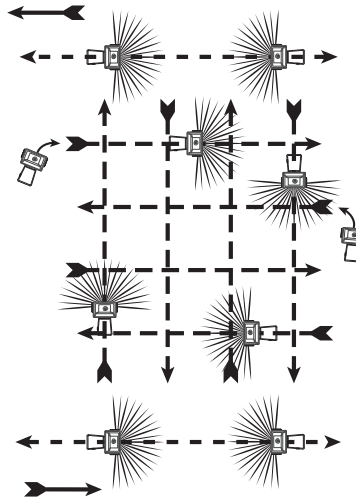


SPREAD PATH

FULL Rate (one pass)



HALF Rate (two passes)



© 2015 Earthway Products, Inc. All rights reserved



5-YEAR LIMITED WARRANTY

Earthway Products, Inc. warrants this product free of defects in original workmanship and materials for a period of 5-Years to the end user with the original purchase receipt. If a manufacturing non-conformance is found, Earthway Products, Inc. at its discretion will repair or replace the part(s) or product at no charge provided the failure is not the result of incorrect installation, mishandling, misuse, tampering, or normal wear and tear as determined by Earthway. Earthway at its discretion may require that the part(s) or product be returned along with the original purchase receipt at owners' expense for examination and compliance with the terms of this warranty. Do not return any product without first receiving authorization from Earthway Products, Inc. To seek remedy under this warranty, contact Earthway Products, Inc. at 574-848-7491, techsupport@earthway.com or write to Earthway Products, Inc. P.O. Box 547 Bristol, Indiana 46507 and describe the nature of the manufacturing defect. **SPECIFIC LIMITATIONS:** This warranty covers only the part(s) or product; any labor charges associated with repair or replacement of non-conformances are specifically excluded. Due to the corrosive nature of most fertilizers and ice melt products, Earthway Products, Inc. makes no warranty against and specifically excludes part(s) or product degradation or failure due to corrosion or its effects. Clean and dry your spreader thoroughly after each use, as a preventative measure, coat all metal parts with a light oil or silicon spray, pay most attention to the inside of steel tubing where corrosion will start.

OPERATING INSTRUCTIONS

Before filling hopper, become familiar with the operation of this spreader.

- Obtain proper setting for material to be used from the enclosed SETTING MATRIX included with this spreader, or from our web site under the MANUALS SECTION.
- Move stop bolt on rate gauge assembly to the proper setting.
- While pushing spreader forward, pull control lever back to stop bolt.
- To stop, push lever forward to close flow holes before you stop moving.
- When finished, empty any remaining material from hopper.
- Thoroughly wash spreader and allow to dry before storing. Apply coating of light oil to help prevent corrosion.
- If you use Rock Salt, **remove agitator** when using Rock Salt to prevent damage to the gearbox.

Earthway Products, Inc.
1009 Maple Street, PO Box 547
Bristol, IN 46507

For Your Records

Date Purchased

Place of Purchase

HOW TO ORDER SPARE PARTS

All spare parts listed may be ordered direct from Earthway Products, Inc. Be sure to give the following information when ordering.

Model Number

Part Number

Part Description

Call (574) 848-7491, 800-294-0671, or email: parts@earthway.com for current prices.

EarthWay® Flex-Select®

Setup and Calibration Techniques

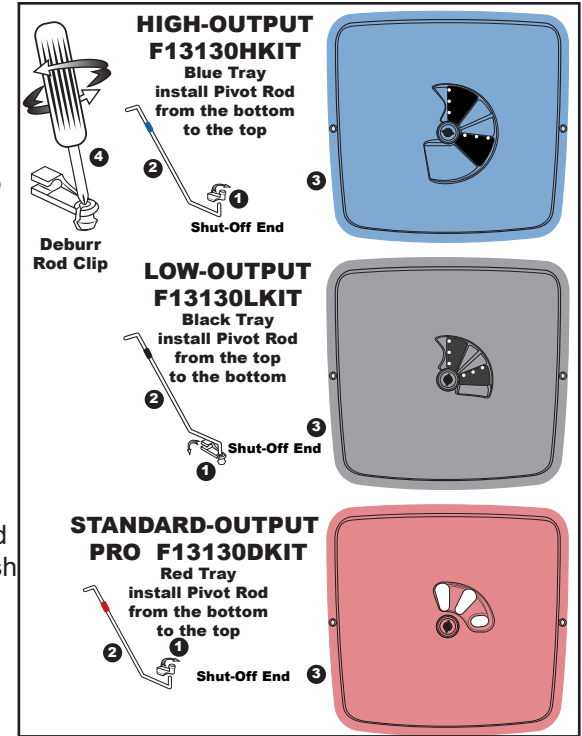


How to Install a Tray

First ensure the hopper is clean and there is no debris trapped around the tray mounting area. Secondly install the Pivot Rod Clip ① into the Shut-off of the selected Tray ⑤. Next, insert the Pivot Rod ② into the Clip ①. **TIP:** The Clip ① may have a burr in the hole, use a Phillips screwdriver to remove the burr. See ④ to make installing the Pivot Rod ② easier. Pliers may be required to help squeeze the Pivot Rod ② into the Clip ①. When the Rod ② is secure inside the Clip ① push the free end of the Clip ① over the Pivot Rod ② to firmly secure the rod to the clip. Next, install the Tray ⑤ from the top downwards into the hopper (see figure ⑤) positioning the center hole of the tray over the Pinion Shaft from the gear box with the Pivot Rod through the bottom of the hopper and facing toward the spreader's handlebar. For ease of locating into position the shut-off of the chosen tray is best in the open position, with the exception of the red **STANDARD-OUTPUT** Tray where the two adjustable throwing ports are best in the closed position.

NOTE: The gearbox can be moved along the axle to ease aligning of the tray hole and the pinion shaft. Once the tray is in place check that the tray is sealed and flush against the hopper sides. To check if the tray is properly located, push the tray edges downwards. Install the two quarter turn fasteners (see figure ⑥) through the two exposed tray holes and push down and twist a quarter turn to secure.

Lastly, connect the free end of the Pivot Rod ② into the Pivot linkage at the bottom of the Control Rod. Position the Clip ① into the free hole and push the Pivot Rod ② into the clip. **TIP:** The Clip ① may have a burr in the hole, use a Phillips screwdriver to remove the burr (see figure ④) When the Pivot Rod ② is positioned inside the Clip ① push the free end of the Clip ① over the Pivot Rod ② to firmly secure the rod and the clip together.



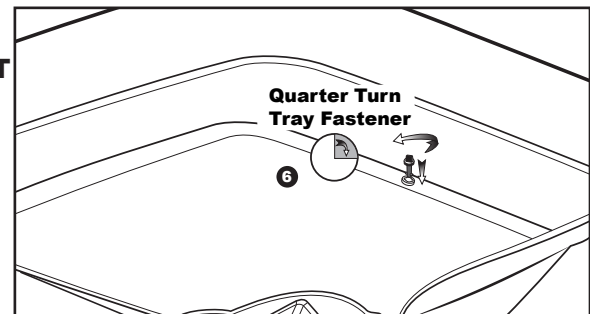
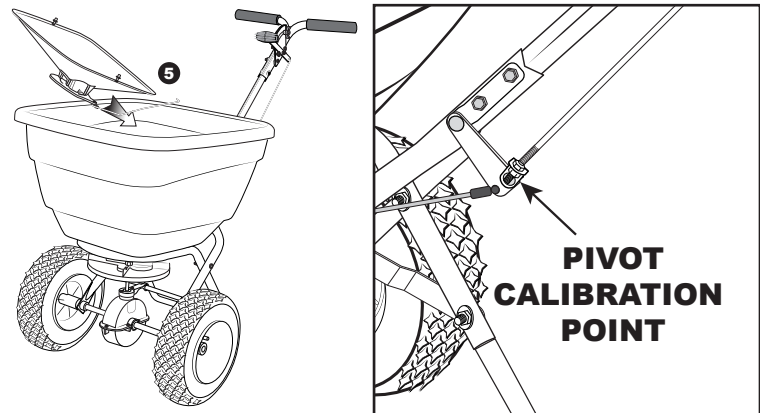
How to ensure your spreader is properly calibrated

HIGH-OUTPUT and LOW-OUTPUT Trays: Make sure the drop holes in the bottom of the hopper are **FULLY CLOSED** when the Rate Control Lever is resting on the Stop #0. If the shut-off is not set correctly, please adjust Control Rod at the Pivot to position the shut-off for **FULLY CLOSED** at position at the Stop #0 on the Rate Control Lever. **As a side note, the HIGH-OUTPUT and LOW-OUTPUT Trays do not include or use a horizontal agitator.**

Calibration Adjustment

Review the Control Lever position to confirm that it is set so that the forward edge of the Lever is resting at #0 (the stop) and the drop holes are closed. Move the spreader back & forth to ensure that the cam is positioned to allow the Oscillating Shut-off to close fully. If the shut-off is not properly positioned, you will need to adjust the Control Rod at the Pivot Bracket shown below.

TIP: If your shut-off is not able to **CLOSE** fully, loosen the top nut a few turns, then tighten the lower nut so that it allows you to push the **shut-off fully closed**. Next, tighten each nut so that they contact the pivot bracket without moving it, and then carefully tighten each nut fully so they do not loosen during use. Recheck adjustment as outlined above.



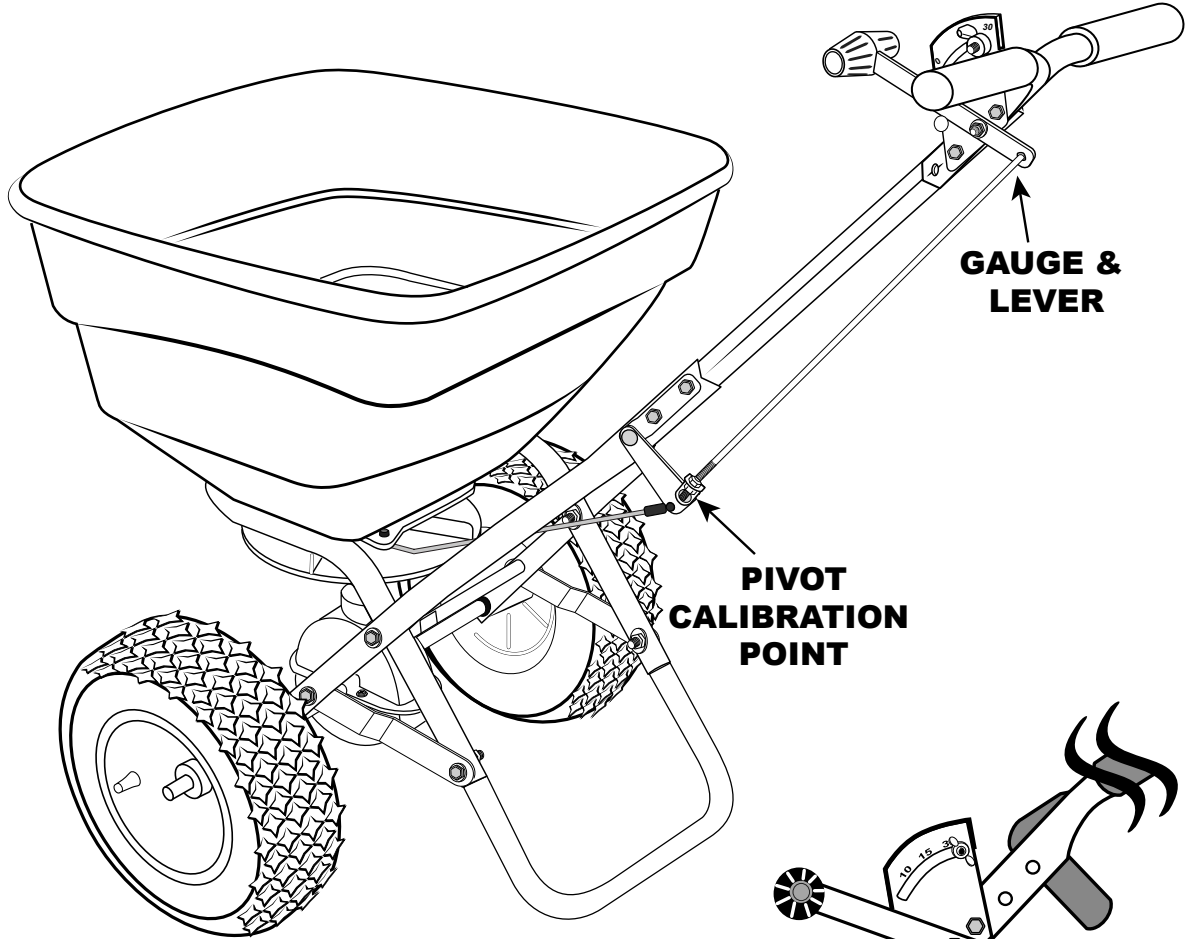
continued

How to ensure your spreader is properly calibrated - continued

STANDARD-OUTPUT Tray: Make sure the drop holes in the bottom of the hopper are **FULLY OPEN** when the Rate Control handle is on #30. If the shut-off is not set correctly, please adjust Control Rod at the Pivot to position the shut-off for **FULLY OPEN** hopper position at #30 on the Rate Control Lever. Install the horizontal agitator through the pinion shaft in the hopper bottom. Finally, install the debris screen onto the Quarter-turn fasteners and push down to snap and secure.

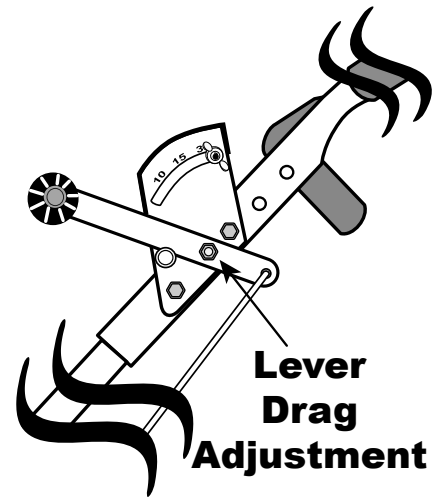
Calibration Adjustment

Review the Control Lever position to confirm that it is set so that the rear edge of the Lever is resting at #30 (the stop) and the drop holes are open. If the shut-off is not properly positioned, you will need to adjust the Control Rod at the Pivot Bracket shown below. **TIP:** If your shut-off is not able to **OPEN** fully, loosen the bottom nut a few turns, then tighten the upper nut so that it allows you to push the **shut-off fully open**. Next, tighten each nut so that they contact the pivot bracket without moving it, and then carefully tighten each nut fully so they do not loosen during use. Recheck adjustment as outlined above.



Control Lever Drag adjustment

If the Control Lever does not stay in position causing the setting rate to change without your intervention, you can adjust the drag on the Lever by tightening or loosening the nut shown to the right until the drag is appropriate.



If you have any questions regarding the assembly or safe operation your spreader, please contact us at 800-294-0671 or 574-848-7491 Monday - Friday 9:00am - 4:00pm Eastern, or email us at sales@earthway.com. If you are outside of the USA, please visit our web site www.earthway.com for guidance on a dealer local to you who can assist with your enquiry.

Using the EV-N-SPRED® Dual Port PRO Adjustable Shut-Off System - Included with Optional F13130DKit Tray

EarthWay®
EV-N-SPRED®

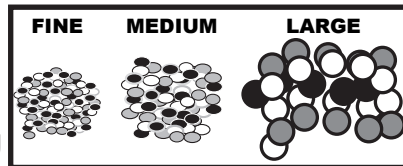
The EV-N-SPRED® Dual Port PRO Adjustable Shut-Off System is included on all Professional models and allows the operator to balance the spread pattern evenly across the full 180° spread width, regardless of the weight or size of granular material. By closing either the right and or left side throwing ports you can balance the spread pattern to exacting precision without compromising spread width or application rate.

Each EV-N-SPRED® Dual Port PRO Adjustable Shut-Off System drop hole has a corresponding 1/3rd coverage area on the spread width of the spreader leaving a feathered-edge for overlapping the spread path. The illustration to the right shows each port and the corresponding 1/3rd coverage area of the spread path. These ports can be adjusted to effectively balance the spread pattern, giving equal amounts of material across the full 180° spread pattern.

EV-N-SPRED® Dual Port PRO System Setup

Test all material prior to beginning your spreading job. You will need a 50' measuring tape, a small scale to weigh the material, bucket or container to hold the material for re-weighing, chalk or a line marking device, and (7) low baking tins. *Using the EarthWay® Bag Calibrator #77016 can greatly reduce the time needed for determining the Setting Rates on any material but is not mandatory to establish a setting rate.*

1. Evaluate the material being spread by comparing it to the following standard as a reference.

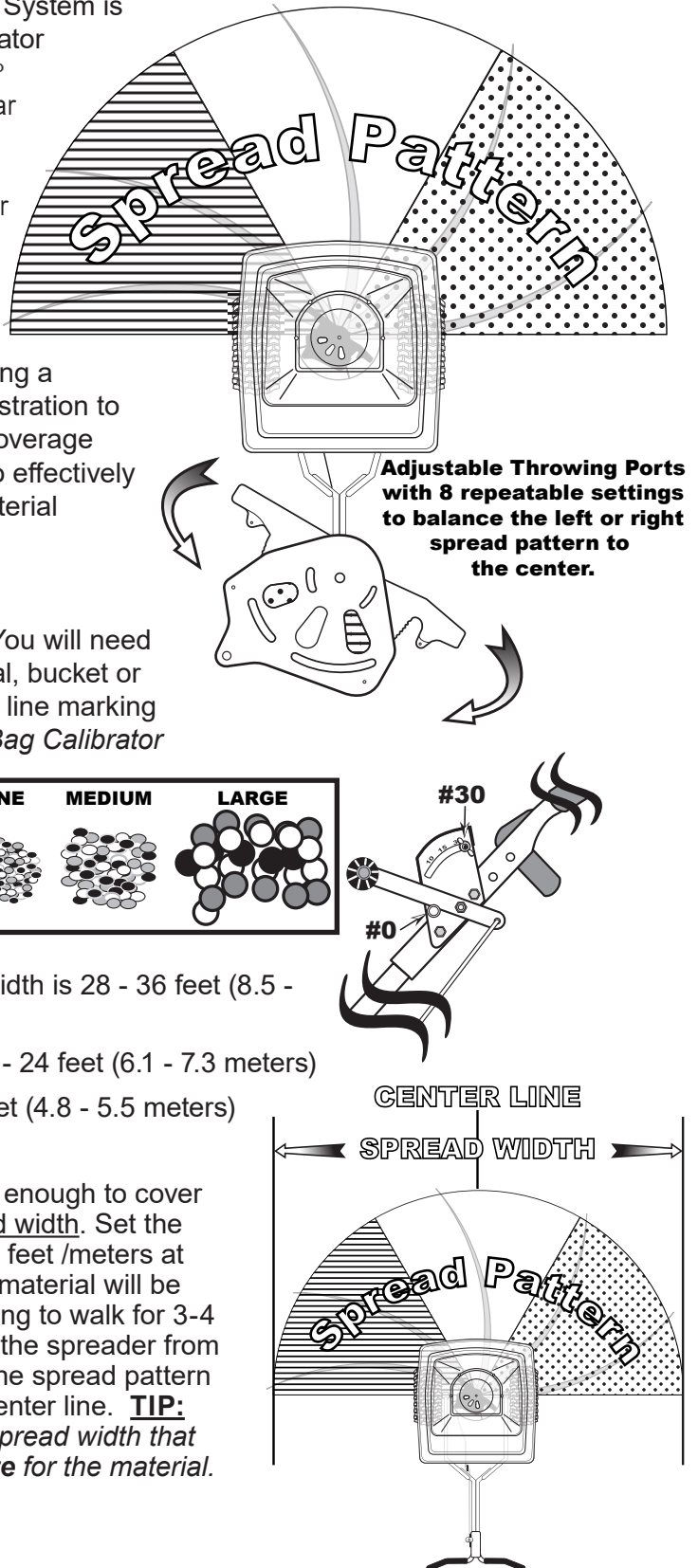


Large/Heavy is the size of a BB (1/8 in / 3mm), spread width is 28 - 36 feet (8.5 - 11 meters)

Medium/Mixed (1/2 the size of a BB), spread width is 20 - 24 feet (6.1 - 7.3 meters)

Small/Fine (the size of sand), spread width is 16 - 18 feet (4.8 - 5.5 meters)

2. Add a small amount of the material into the spreader, enough to cover the bottom (2-3 in / 5 - 7 cm) and begin to test for spread width. Set the stop on the gauge to #15 and push the spreader several feet /meters at normal walking speed on a flat hard surface (where the material will be visible), and OPEN the lever to the STOP while continuing to walk for 3-4 paces, and CLOSE the shut-off and STOP (don't move the spreader from that position). Measure the spread width and evaluate the spread pattern for even distribution on either side of the spread width center line. **TIP:** Typical spread width references are listed above. *The spread width that you measure is used to calculate the actual **Setting Rate** for the material.*



ADJUSTING THE EV-N-SPRED® DUAL PORT SHUT-OFF SYSTEM

Next, using the (7) low baking tins position, them in a straight line on 2-foot centers across the spread width as shown at the right.

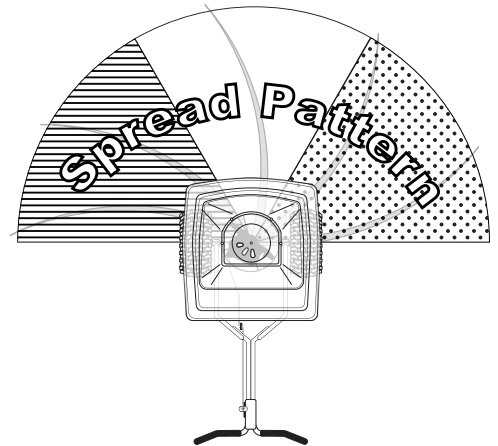
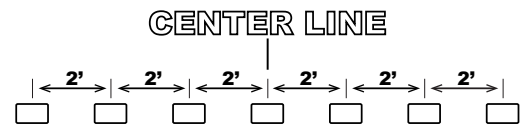
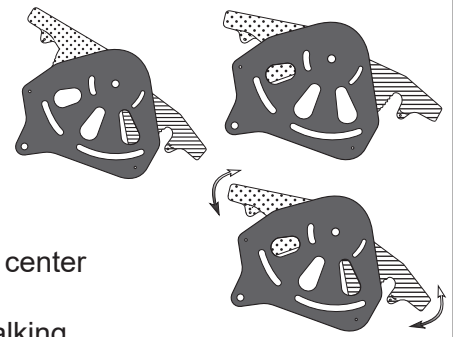
Adjust the left or right variable throwing ports to EVEN THE SPREAD pattern.

TIP: For large/heavy materials, close the **LEFT SIDE (LINES)** port slightly before you start your EV-N-SPRED® test. For small/light materials, open the **LEFT SIDE (LINES)** port fully and close the **RIGHT SIDE (CIRCLES)** port slightly before you start your EV-N-SPRED® test. With **BOTH** ports closed, the spread is only from the center port, and will give you a 3-4ft spread width in the center of the spreader - *great for medians*.

Begin pushing the spreader several feet before the line of tins and at normal walking speed. Walk along the Center Line, and **OPEN** the Lever to the **STOP** 3-4 paces before the line of tins and continue walking past the tins 1 or 2 paces and **CLOSE** the Lever and **STOP**.

Visually evaluate the material in the baking tins to determine if your spread pattern is balanced - *having the same amount of material in each baking tin*.

Empty each tin back into the spreader, adjust the ports and **RETEST** until you are satisfied that the coverage is balanced.



Spread width in feet	Length needed for 1,000 Sq Ft	Spread width in feet	Length needed for 1,000 Sq Ft	Spread width in feet	Length needed for 1,000 Sq Ft
7	142' 10"	17	58' 10"	27	37'
8	125'	18	55' 7"	28	35' 9"
9	111' 1"	19	52' 7"	29	34' 6"
10	100'	20	50'	30	33' 4"
11	90' 11"	21	47' 7"	31	32' 3"
12	83' 4"	22	45' 5"	32	31' 3"
13	76' 11"	23	43' 6"	33	30' 4"
14	71' 5"	24	41' 8"	34	29' 5"
15	66' 8"	25	40'	35	28' 7"
16	62' 6"	26	38' 6"	36	27' 9"

ESTABLISH THE SETTING RATE

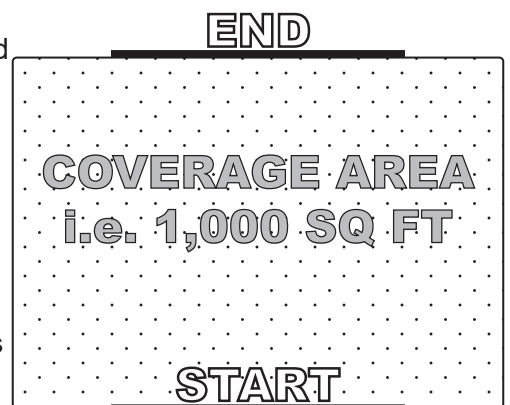
Remove the material from the hopper, and mark the distance that you need to travel with the spreader to attain the designated coverage area - i.e. 1,000 square feet using the spread width you determined earlier. *Above is a chart to help determine the distance needed for 1,000 square foot calculation.*

Mark the **START** and **END POINTS** on the surface required for the test. Weigh a small amount (10-20lbs/4-9kg) of the material, and add that into to the spreader. Using the Setting Matrix included with the spreader, estimate a setting rate based on material manufacturers recommendations and adjust the **STOP** on the Gauge to that position.

Now to test, start walking 1-2 paces before the **START LINE** and **OPEN** the Lever to the stop and then **CLOSE** when you cross the **END POINT LINE**.

Pour the remaining material from the spreader and weigh to calculate the amount applied over the area. Adjust the **Setting Rate** to a higher number if you need to increase the application rate, or to a lower number if you applied too much in the test.

You may need to repeat this process to acquire the exact rate.



The EV-N-SPRED® Dual Port PRO Adjustable Shut-Off System ensures that EarthWay® Professional spreaders evenly spread all types of fertilizers, seed, ice melt, or other granular products, and is only available from EarthWay®.

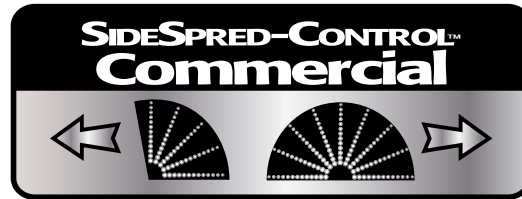
Using the EV-N-SPRED® SIDESPRED-CONTROL™ Shut-Off System



Included on Standard Output Tray
F13130Kit

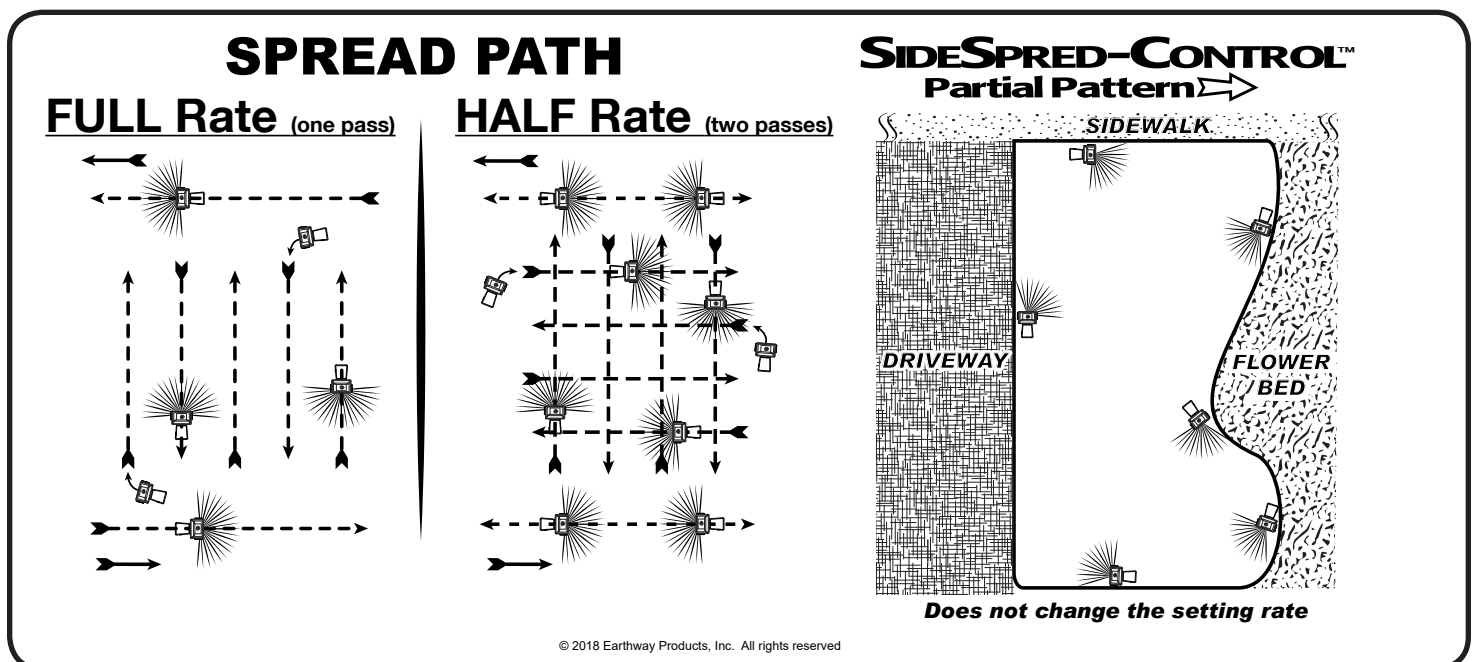
NEW ~ NOUVEAU ~ NUEVO

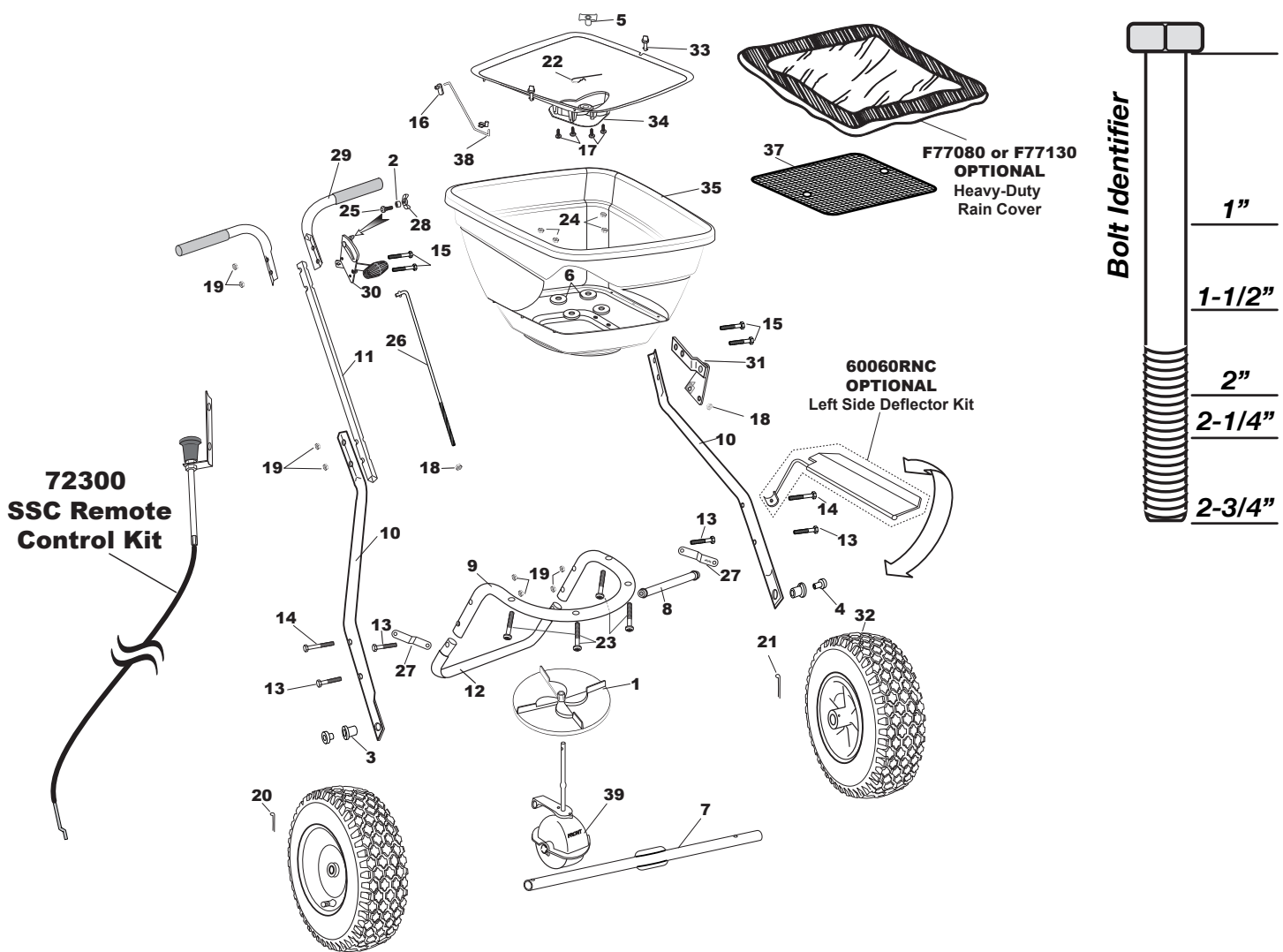
The **SIDESPRED-CONTROL™** is a new innovation that eliminates the need to use a side deflector, which can adversely affect your application rate, to prevent material from being spread into flowerbeds, on sidewalks, or driveways. The **SIDESPRED-CONTROL™** maintains the correct application rate while it is activated, giving you excellent results in seeding or spreading while controlling the spread pattern on the left side of the spreader. The **SIDESPRED-CONTROL™** is an EarthWay exclusive.



SIDESPRED-CONTROL™ OPERATION

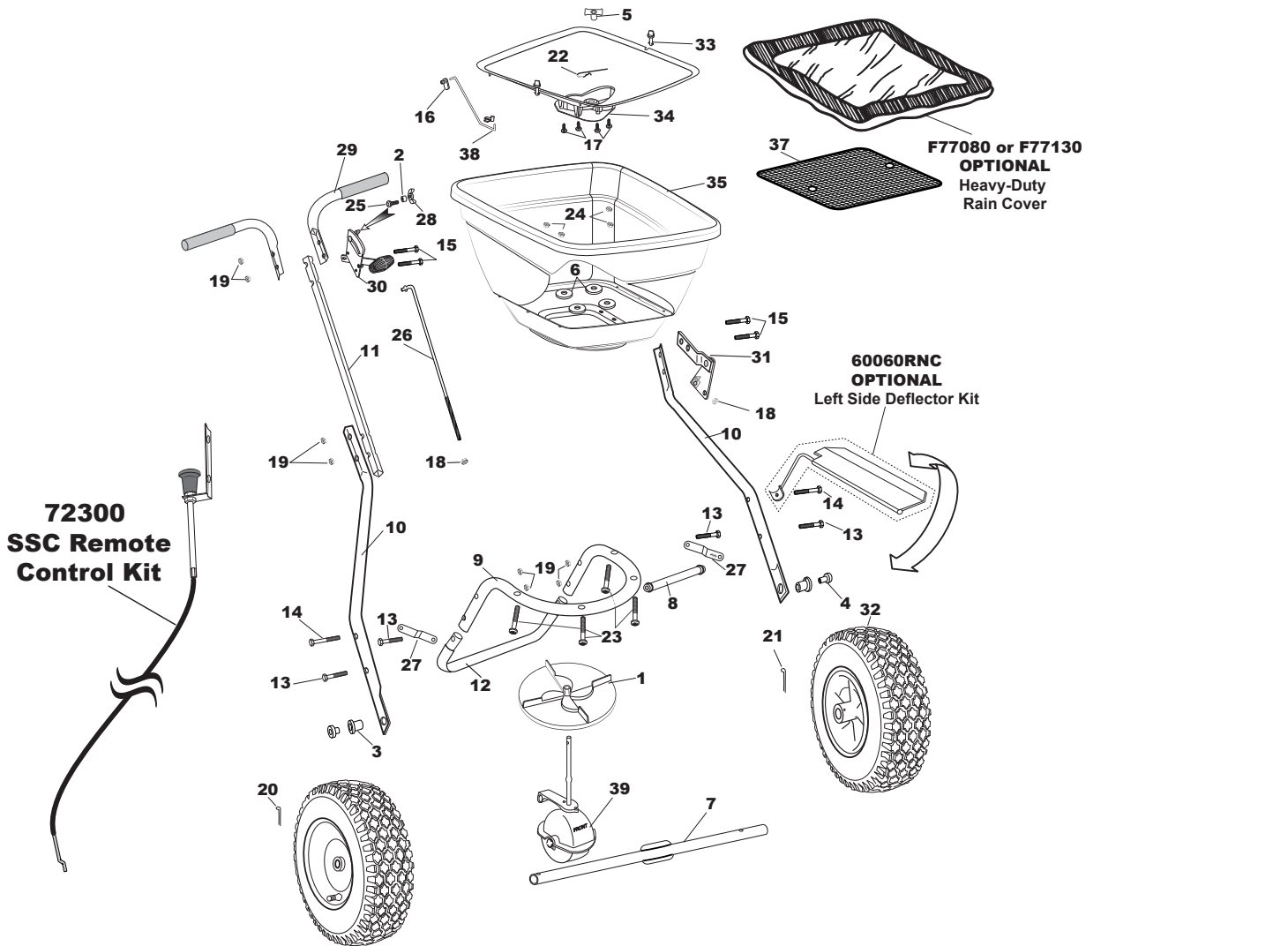
The **SIDESPRED-CONTROL™** lever is located on the back of the hopper at the bottom. To operate the **SIDESPRED-CONTROL™**, slide the control lever from the left, to the right. This will activate the **SIDESPRED-CONTROL™** for a **PARTIAL** spread pattern and prevent material from being spread to the left side of the spreader. Position the left wheel of your spreader 4" - 6" from the sidewalk, flowerbed, or driveway and spread as normal. When you have completed this spreading pass, open the **SIDESPRED-CONTROL™** by sliding the control lever from right to left, for a **FULL** spread pattern.





F80 COMMERCIAL BROADCAST SPREADER

Key #	Part #	Description	Key #	Part #	Description
1	12110	IMPELLER 9" ROUND DISHED	23	36214	1/4-20 X 1 1/2" PHPMS S.S.
2	12147	SPACER (PIVOT LINK)	24	36300	1/4-20 NYLON INSERT LOCKNUT S.S.
3	12148	AXLE BEARING	25	37100	1/4-20 X 1" CARRIAGE BOLT ZINC
4	12152	AXLE BUSHING	26	42256	CONTROL ROD
5	12209	HOPPER BUSHING	27	44249	FRAME BRACE
6	43020	BACKPLATE WASHER (FOR F130)	28	60027	WING NUT ASSEMBLY BLACK
7	24500	AXLE	29	60175	UPPER HANDLE SQUARE W/GRIP ea
8	25228	CROSS BRACE 11.25"	30	60298	GAUGE & LEVER ASSEMBLY
9	25108	FRAME	31	60300	PIVOT & BRACKET ASSEMBLY
10	25222	LOWER HANDLE	32	70138	PNEUMATIC DRIVE WHEEL STUD
11	25223	HANDLE SHAFT	33	F12135	1/4 TURN FASTENER FLEX SELECT
12	25723	FRAME Foot	34	F12219SSC	STANDARD OUTPUT FLEX-SELECT SSC SHUTOFF
13	31100	1/4-20 X 1 1/2 HHMS ZINC	35	F13105 FLEX-SELECT 80# HOPPER / F13106 FLEX-SELECT 130# HOPPER	
14	31106	1/4-20 X 2 1/4" HHCS ZINC	36	F13130	STANDARD OUTPUT FLEX-SELECT TRAY KIT
15	31120	1/4-20 X 2" HHCS ZINC	37	F40003	SQUARE SCREEN FLEX-SELECT-included with Standard Trays only
16	31127	ROD CLIP (Flex-Select)	38	F44251	PIVOT ROD STD OUTPUT FLEX-SELECT
17	31138	#8 X 3/8" PMT #8 HD COARSE BLACK	39	F60333	GEAR BOX ASSEMBLY FLEX -SELECT
18	32100	1/4-20 HEX NUT ZINC			
19	32103	1/4-20 NYLON INS LOCKNUT ZINC	Optional	60060RNC	SIDE DEFLECTOR
20	33108	3/16" X 1" COTTER PIN ZINC	Optional	HEAVY DUTY RAIN COVER (F77080 for F80 / F77130 FOR F130)	
21	33109	3/16" X 2" COTTER PIN ZINC	Optional	72300	REMOTE SSC CONTROL KIT
22	33117	AGITATOR	Standard	12196	GAUGE OVERLAY- EARTHWAY



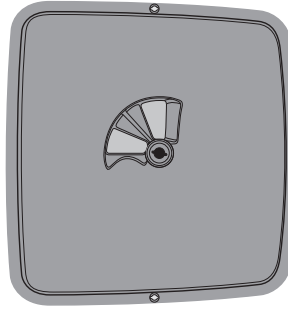
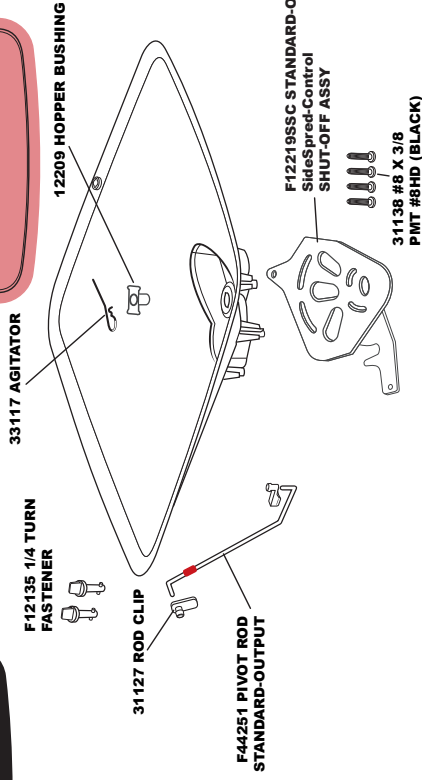
F80S COMMERCIAL BROADCAST SPREADER

Key #	Part #	Description	Key #	Part #	Description
1	12110	IMPELLER 9" ROUND DISHED	23	36214	1/4-20 X 1 1/2" PHPMS S.S.
2	12147	SPACER (PIVOT LINK)	24	36300	1/4-20 NYLON INSERT LOCKNUT S.S.
3	12148	AXLE BEARING	25	37100	1/4-20 X 1" CARRIAGE BOLT ZINC
4	12152	AXLE BUSHING	26	42256	CONTROL ROD
5	12209	HOPPER BUSHING	27	44249	FRAME BRACE
6	43020	BACKPLATE WASHER (FOR F130)	28	60027	WING NUT ASSEMBLY BLACK
7	24500	AXLE	29	60175-SS	UPPER HANDLE SQUARE STAINLESS W/GRIP ea
8	25228	CROSS BRACE 11.25"	30	60298	GAUGE & LEVER ASSEMBLY
9	24111	FRAME	31	60300	PIVOT & BRACKET ASSEMBLY
10	25222-SS	LOWER HANDLE	32	70138	PNEUMATIC DRIVE WHEEL STUD
11	25223-SS	HANDLE SHAFT	33	F12135	1/4 TURN FASTENER FLEX SELECT
12	25723-SS	FRAME FOOT SS	34	F12219SSC	STANDARD OUTPUT FLEX-SELECT SSC SHUTOFF
13	36200	1/4-20 X 1 1/2" HHCS S.S.	35	F13105 FLEX-SELECT 80# HOPPER / F13106 FLEX-SELECT 130# HOPPER	
14	36205	1/4-20 X 2 1/4" HHCS S.S.	36	F13130	STANDARD OUTPUT FLEX-SELECT TRAY KIT
15	36216	1/4-20 X 2" HHCS S.S.	37	F40003	SQUARE SCREEN FLEX-SELECT-included with Standard Trays only
16	31127	ROD CLIP (Flex-Select)	38	F44251	PIVOT ROD STD OUTPUT FLEX-SELECT
17	31138	#8 X 3/8" PMT #8 HD COARSE BLACK	39	F60333	GEAR BOX ASSEMBLY FLEX -SELECT
18	32100	1/4-20 HEX NUT ZINC			
19	36300	1/4-20 NYLON INS LOCKNUT S.S	Optional	60060RNC	SIDE DEFLECTOR
20	36103	3/16 X 2" COTTER PIN S.S.	Optional		HEAVY DUTY RAIN COVER (F77080 for F80 / F77130 FOR F130)
21	36104	3/16 X 1" COTTER PIN S.S.	Optional	72300	REMOTE SSC CONTROL KIT
22	33117	AGITATOR	Standard	12196	GAUGE OVERLAY- EARTHWAY

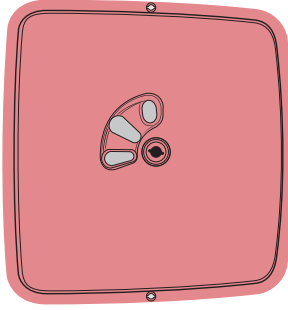
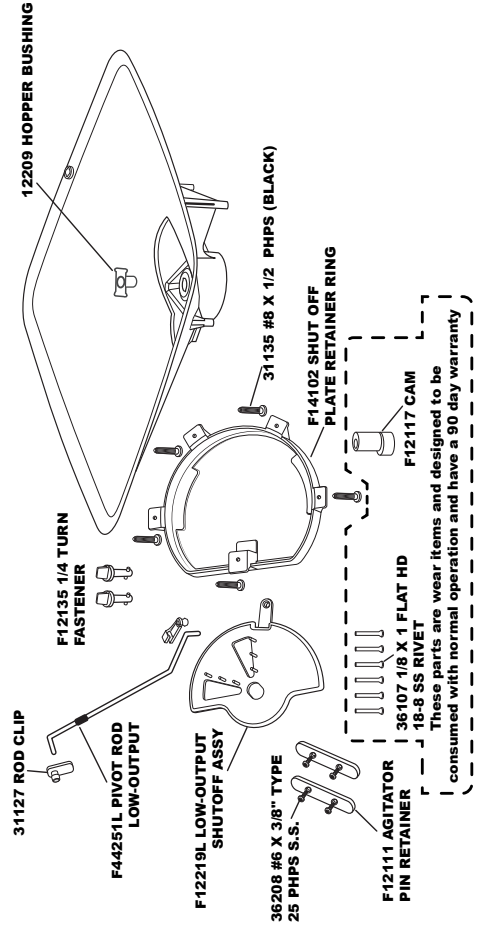


F40003 DEBRIS SCREEN
Included with both
STANDARD-OUTPUT,
and LOW-OUTPUT
Trays only

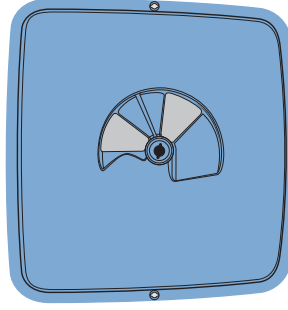
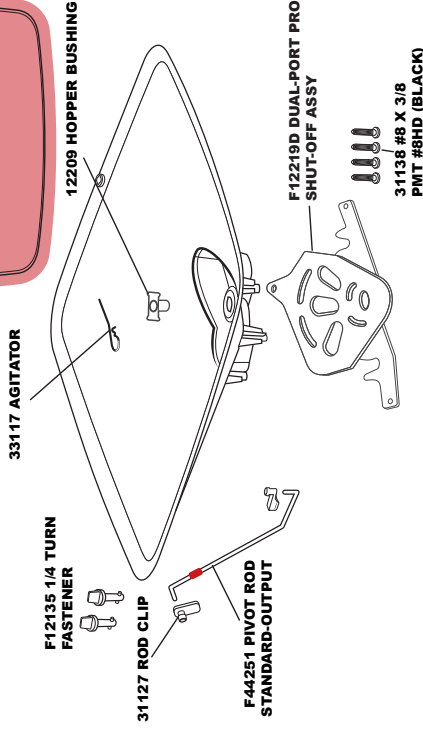
**STANDARD-OUTPUT
F13130KIT**



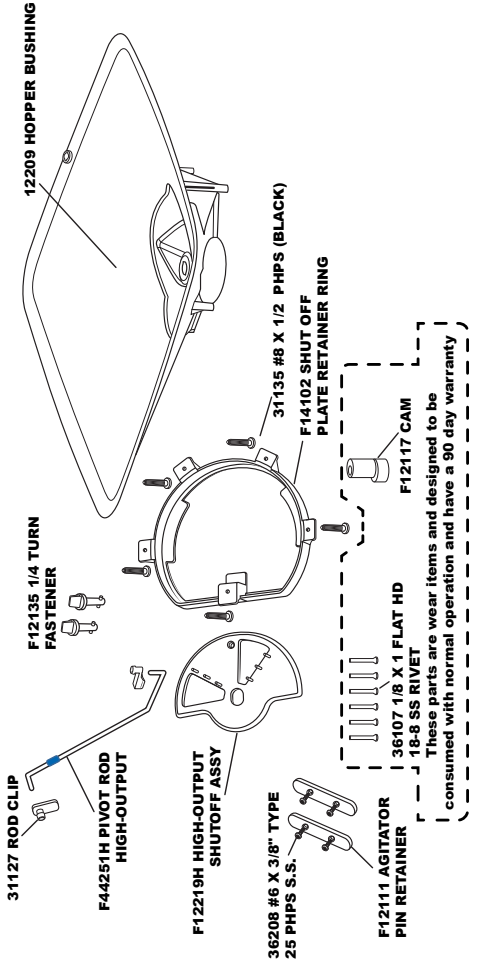
**LOW-OUTPUT
F13130LKIT**



**STANDARD-OUTPUT PRO
F13130DKIT**



**HIGH-OUTPUT
F13130HKIT**



FLEX-SELECT® BROADCAST SPREADER SETTING MATRIX

GRANULAR MATERIAL

STANDARD-OUTPUT Red Tray

PARTICLE SIZES: Fine/Small (SAND) Medium (HALF BB) Large (BB) EXTRA LARGE ROCK SALT

LBS. PER 1,000 SQUARE FEET	GRAMS PER SQUARE METER	SETTING	Fine/Small (SAND)		Medium (HALF BB)		Large (BB)		EXTRA LARGE ROCK SALT				
			SPREAD WIDTH FT	SPREAD METERS	SETTING	SPREAD WIDTH FT	SPREAD METERS	SETTING	SPREAD WIDTH FT	SPREAD METERS			
1 LB.	5	7	18'	5.5m	9	24'	7.3m	14	36'	11m	17	37'	11.3m
2 LBS.	10	10	18'	5.5m	13	24'	7.3m	18	36'	11m	22	37'	11.3m
3 LBS.	15	13	18'	5.5m	16	24'	7.3m	23	36'	11m	24	37'	11.3m
4 LBS.	20	14	18'	5.5m	20	24'	7.3m	27	36'	11m	26	37'	11.3m
5 LBS.	24	16	18'	5.5m	22	24'	7.3m	30	36'	11m	28	37'	11.3m
6 LBS.	29	18	18'	5.5m	25	24'	7.3m	23 = 2 pass	36'	11m	29	37'	11.3m
7 LBS.	34	20	18'	5.5m	27	24'	7.3m	25 = 2 pass	36'	11m	30	37'	11.3m
8 LBS.	39	22	18'	5.5m	28	24'	7.3m	27 = 2 pass	36'	11m	26 = 2 pass	37'	11.3m
9 LBS.	44	24	18'	5.5m	30	24'	7.3m	28 = 2 pass	36'	11m	27 = 2 pass	37'	11.3m
10 LBS.	49	26	18'	5.5m	22 = 2 pass	24'	7.3m	30 = 2 pass	36'	11m	28 = 2 pass	37'	11.3m

GRASS SEED

LBS. PER 1,000 SQUARE FEET	GRAMS PER SQUARE METER	FINE SETTING	SPREAD WIDTH FT	SPREAD METERS	COARSE SETTING	SPREAD WIDTH FT	SPREAD METERS
2 LBS.	10	14	8'	2.4m	22	14'	4.3m
3 LBS.	15	16	8'	2.4m	25	14'	4.3m
4 LBS.	20	18	8'	2.4m	28	14'	4.3m
5 LBS.	25	20	8'	2.4m	30	14'	4.3m

Calibration: Start by ensuring that your spreader calibration is correct. Make sure the drop holes in the **Standard-Output Tray** are fully open when the Rate Control handle is on #30. If not, please adjust control rod at the pivot to allow for a full open hopper holes with the handle at position at #30.

GRANULAR MATERIAL

LOW-OUTPUT Black Tray

PARTICLE SIZES: Fine/Small (SAND) Medium (HALF BB) Large (BB) EXTRA LARGE ROCK SALT

LBS. PER 1,000 SQUARE FEET	GRAMS PER SQUARE METER	SETTING	Fine/Small (SAND)		Medium (HALF BB)		Large (BB)		EXTRA LARGE ROCK SALT				
			SPREAD WIDTH FT	SPREAD METERS	SETTING	SPREAD WIDTH FT	SPREAD METERS	SETTING	SPREAD WIDTH FT	SPREAD METERS			
1 LB.	5	8	16'	4.9m	10	20'	6.1m	15	30'	9.1m	18	24'	7.3m
2 LBS.	10	10	16'	4.9m	13	20'	6.1m	18	30'	9.1m	20	24'	7.3m
3 LBS.	15	12	16'	4.9m	18	20'	6.1m	23	30'	9.1m	25	24'	7.3m
4 LBS.	20	13	16'	4.9m	20	20'	6.1m	28	30'	9.1m	27	24'	7.3m
5 LBS.	24	16	16'	4.9m	22	20'	6.1m	30	30'	9.1m	30	24'	7.3m
6 LBS.	29	18	16'	4.9m	25	20'	6.1m	23 = 2 pass	30'	9.1m	25 = 2 pass	24'	7.3m
7 LBS.	34	20	16'	4.9m	27	20'	6.1m	25 = 2 pass	30'	9.1m	26 = 2 pass	24'	7.3m
8 LBS.	39	21	16'	4.9m	29	20'	6.1m	28 = 2 pass	30'	9.1m	27 = 2 pass	24'	7.3m
9 LBS.	44	23	16'	4.9m	30	20'	6.1m	29 = 2 pass	30'	9.1m	29 = 2 pass	24'	7.3m
10 LBS.	49	24	16'	4.9m	22 = 2 pass	20'	6.1m	30 = 2 pass	30'	9.1m	30 = 2 pass	24'	7.3m

GRASS SEED

LBS. PER 1,000 SQUARE FEET	GRAMS PER SQUARE METER	FINE SETTING	SPREAD WIDTH FT	SPREAD METERS	COARSE SETTING	SPREAD WIDTH FT	SPREAD METERS
2 LBS.	10	15	9'	2.7m	21	15'	4.6m
3 LBS.	15	18	9'	2.7m	24	15'	4.6m
4 LBS.	20	21	9'	2.7m	27	15'	4.6m
5 LBS.	25	24	9'	2.7m	30	15'	4.6m

Calibration: Start by ensuring that your spreader calibration is correct. Make sure the drop holes in the **LOW-OUTPUT TRAY** are fully closed when the Rate Control Handle is resting on the stop #0. If not, please adjust control rod at the pivot to ensure the shut-off is fully closed with the handle at position at #0. Move the spreader slightly to confirm the calibration because of the cam.

GRANULAR MATERIAL

HIGH-OUTPUT Blue Tray

PARTICLE SIZES: Fine/Small (SAND) Medium (HALF BB) Large (BB) EXTRA LARGE ROCK SALT

LBS. PER 1,000 SQUARE FEET	GRAMS PER SQUARE METER	SETTING	Fine/Small (SAND)		Medium (HALF BB)		Large (BB)		EXTRA LARGE ROCK SALT				
			SPREAD WIDTH FT	SPREAD METERS	SETTING	SPREAD WIDTH FT	SPREAD METERS	SETTING	SPREAD WIDTH FT	SPREAD METERS			
1 LB.	5	3	16'	4.9m	5	22'	6.7m	7	28'	8.5m	8	26'	7.9m
2 LBS.	10	5	16'	4.9m	6	22'	6.7m	10	28'	8.5m	11	26'	7.9m
3 LBS.	15	6	16'	4.9m	8	22'	6.7m	12	28'	8.5m	13	26'	7.9m
4 LBS.	20	7	16'	4.9m	9	22'	6.7m	14	28'	8.5m	14	26'	7.9m
5 LBS.	24	8	16'	4.9m	11	22'	6.7m	15	28'	8.5m	15	26'	7.9m
6 LBS.	29	10	16'	4.9m	13	22'	6.7m	17	28'	8.5m	16	26'	7.9m
7 LBS.	34	11	16'	4.9m	15	22'	6.7m	20	28'	8.5m	17	26'	7.9m
8 LBS.	39	12	16'	4.9m	16	22'	6.7m	21	28'	8.5m	18	26'	7.9m
9 LBS.	44	13	16'	4.9m	17	22'	6.7m	23	28'	8.5m	19	26'	7.9m
10 LBS.	49	14	16'	4.9m	18	22'	6.7m	24	28'	8.5m	21	26'	7.9m

GRASS SEED

LBS. PER 1,000 SQUARE FEET	GRAMS PER SQUARE METER	FINE SETTING	SPREAD WIDTH FT	SPREAD METERS	COARSE SETTING	SPREAD WIDTH FT	SPREAD METERS
2 LBS.	10	7	10'	3m	11	15'	4.6m
3 LBS.	15	9	10'	3m	14	15'	4.6m
4 LBS.	20	11	10'	3m	16	15'	4.6m
5 LBS.	25	13	10'	3m	18	15'	4.6m

Calibration: Start by ensuring that your spreader calibration is correct. Make sure the drop holes in the **HIGH-OUTPUT TRAY** are fully closed when the Rate Control Handle is resting on the stop #0. If not, please adjust control rod at the pivot to ensure the shut-off is fully closed with the handle at position at #0. Move the spreader slightly to confirm the calibration because of the cam.