

# **MR6.5K-38**

**Portable Mid-Rise Scissor Lift**

**6,500 lbs. Capacity**



## **INSTALLATION & OPERATION MANUAL**

# CONTENT

## SAFETY INFORMATION

- Note, Caution and Warning
- Important Information
- Safety Instructions

## TECHNICAL INFORMATION

- Product Description
- Specifications

## BEFORE USING

- Site Selection
- Surface Condition
- Operating Condition

## INSTALLATION INSTRUCTIONS

- Required Tools
- Unloading Lift
- Un-banding Lift
- Lift Installation / Assembly
- Starting Up / Testing
- Final Adjustments

## OPERATION INSTRUCTIONS

- Vehicle Positioning
- Lift Preparation
- Loading Lift
- Raise & Lowering Lift
- Caster Assembly Installation & Operation
- Inspection, Maintenance & Cleaning
- Trouble-Shooting Guide
- Power Unit Priming Procedure

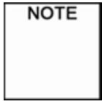
## EXPLODED VIEWS & PARTS LIST

## LIMITED WARRANTY

# SAFETY INFORMATION

## Note, Caution and Warning

This document uses the following notations: Note, Caution and Warning . to alert you to special instructions, tips, or hazards for a given procedure. Please familiarize yourself with the notation explanations described below.



Indicates important information that requires special attention, such as a procedure for a specific vehicle, or tips on operating the equipment.



Indicates the potential for damage to equipment, accessories or the vehicle unless the instructions or procedure are followed specifically.



Indicates the potential for property damage, personal injury or death due to hazards associated with the equipment, vehicle or environment. Do not perform any procedures until you have read and understood the warning instructions.

## Important Information

1. Read this manual thoroughly before installing, operating or maintaining the lift.
2. This lift is designed for indoor use only and should not be installed in a pit or depression.
3. The lifts have specific electrical requirements as described in the Installation Instructions section of this manual.
4. This lift has a minimum ceiling height requirement as described in the Installation Instructions section of this manual.
5. Failure by the owner to provide the **recommended shelter, mounting surface, electrical supply, and ceiling height** could result in unsatisfactory lift performance, property damage or personal injury.
6. The operation of the lift is permitted by authorized persons only.

## Safety Instructions

1. **Do not** raise a vehicle on the lift until the installation is completed as described in this manual.
2. Technicians should be trained to use and care for the lift by familiarizing themselves with the manual, including Note, Caution and Warning information. The lift should **never be operated by an untrained person**.
3. Always position the pads properly out of the way before pulling the vehicle into or out of the service bay. **Failure to do so could damage the vehicle and/or the lift.**
4. **Do not overload the lift.** The capacity of the lift is shown on cover of this manual and on the lift's serial number tag.
5. Positioning the vehicle is very important. Only trained technicians should position the vehicle on the lift. **Never allow anyone to stand in the path of the vehicle as it is being positioned and never raise vehicle with passengers inside.**
6. Position the pads to the vehicle manufacturer's recommended pickup points. Raise the lift until the pads make contact with the vehicle. Make sure the pads have properly engaged the vehicle's pick-up points before raising the lift to a working height.
7. Keep everyone clear of the lift when the lift is moving, the locking mechanism is disengaged or if the vehicle is in danger of falling.
8. Unauthorized personnel should never be in the shop area when the lift is in use.
9. Inspect the lift daily. **The lift should never be operated if it has damaged components or is malfunctioning.** Only qualified technicians should service the lift. **Replace damaged components with manufacturer's parts, or equivalent.**
10. **Keep the area around the lift clear of obstacles.**
11. **Never override the self-returning lift controls.**
12. Avoid excessive rocking of the vehicle when it is on the lift.
13. To reduce the risk of personal injury, keep hair, loose clothing, fingers, and all body parts away from moving parts.
14. To reduce the risk of electric shock, **do not** use the lift when wet, do not expose the lift to rain.
15. To reduce the risk of fire, **do not** operate equipment in the vicinity of open containers of flammable liquids (gasoline).
16. Use the lift only as described in this manual, **use only manufacturer's recommended attachments.**
17. **Unusual vehicles, such as limousines, RV's, and long wheelbase vehicles, may not be suitable for lifting on this equipment.** If necessary, consult with the manufacturer or the manufacturer's representative.
18. The maintenance procedures described in this manual can be done by the lift's owner/employer. Any other procedure should only be performed by trained lift service personnel. **These restricted procedures include, but are not limited to, the following: cylinder replacement, platform & safety latch replacement and motor replacement.**
19. Anyone who will be in the vicinity of the lift when it is in use should familiarize themselves with any Caution, Warning, and Safety related decals supplied with this lift, and replace them if they are illegible or missing.

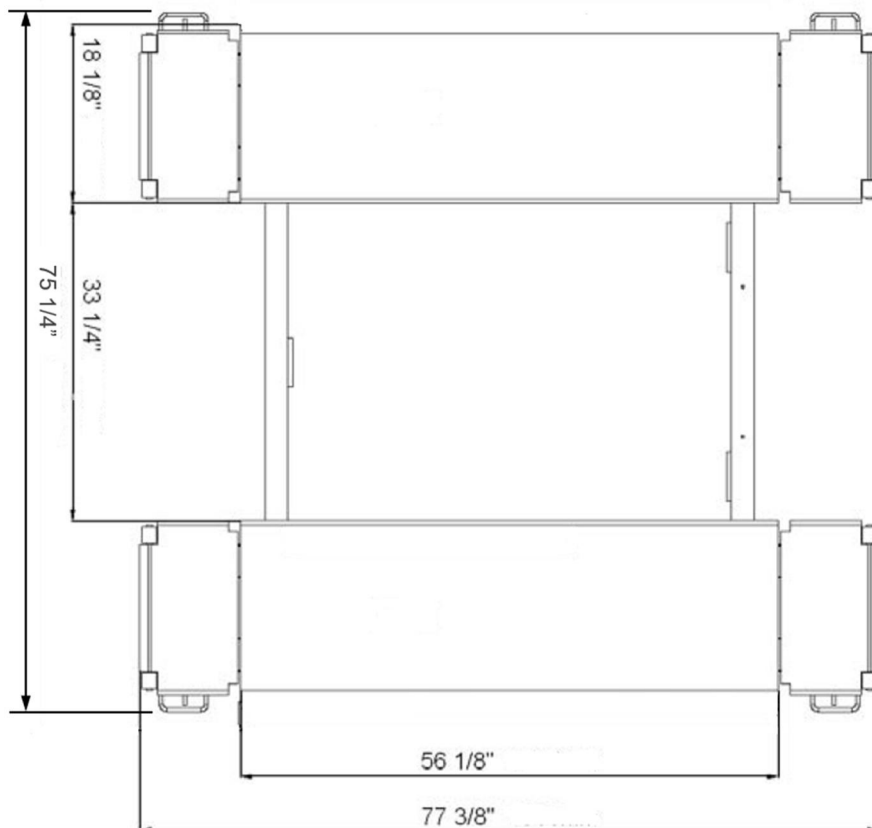
# TECHNICAL INFORMATION

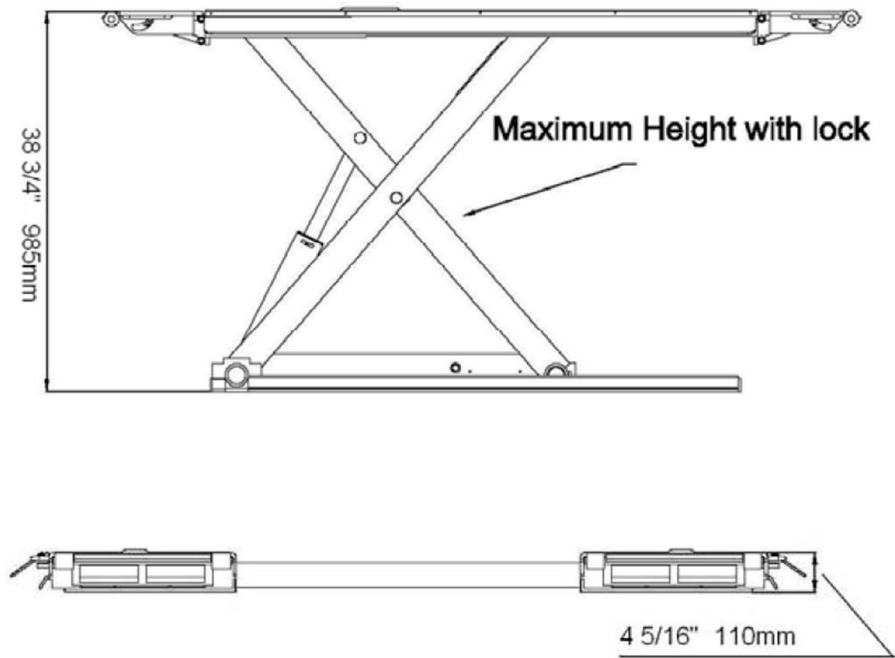
## Product Description

The MR6.5K-38 is a portable 6,500 lb. hydraulic mid-rise scissor frame contact lift, equipped with twin hydraulic cylinders & single point pneumatic lock release, while incorporating the latest safety technologies. The lift consists of a fixed structural scissor lift, a mobile unit kit (brackets, wheels & trolley), hydraulic power control system with safety devices, fully capable for lifting cars, light vans and safely holding them in an elevated position for wheel service, brake work, inspections & detailing.

## Specifications

Specifications	MR6.5K-38
Lifting Capacity:	6,500 lbs.
Overall Length	77+
Overall Width	75.2+
Max Lifting Height	38+
Min. Pad Height	4+
Lifting Speed:	40 sec.
Width Between Platforms	33.2+
Width of Platforms	18.2+
Length of Platforms	56+
Length of Platform Extensions	10.6+
Power	115V-20 Amp / 1PH
Air Supply (Required)	90 - 125 PSI
Ship Weight	1,355 lbs.





## BEFORE USING

### Site Selection

The Lift is designed for indoor use only. Application in a room with explosion hazard is not permitted. Placing the lift in a wet place, such as car wash bay, is prohibited. Ensure to check the desired location for possible obstructions such as a low ceiling, overhead lines, adequate working area, access ways and exits. Make sure to allow a minimum space of 12 to 14 feet in front and behind the Lift to accommodate all vehicles. Certain allowances should be made for special vehicle requirements or unusual floor plans.

### Surface Condition

Do not use the Lift on any type of asphalt or soft surface. Ensure lift is placed on a dry, oil & grease free, level concrete surface capable of supporting the weight of the Lift with a vehicle. Do not use Lift on concrete expansion seams or cracked, defective concrete. Failure to accomplish the foundation requirement may cause lift instability, which could result in personal injury.

### Operating Condition

Lift is not intended for outdoor use and has an operating ambient temperature range of 41° - 104°F (5° - 40°C).

# INSTALLATION INSTRUCTIONS



You will need common hand tools that most homeowners have, like a hammer, screwdrivers and pliers, but in addition, you may need some tools that are not common. Each installation is somewhat different and depends on how much room you have to work around the lift.

## Required Tools

1. Forklift
2. Metal Shears
3. Socket Wrenches with Ratchet
4. Adjustable Wrench
5. Pliers
6. Flat Blade Screwdriver
7. Gloves

## Unloading Lift



You'll need a forklift that can handle about 2,000 to 2,300 pounds and operate on a smooth surface.

## Un-banding Lift



The steel bands which secure the lift parts to the pallets are heavy duty. You'll need a pair of metal shears or tin snips to cut the steel bands. Be very careful when doing this because the bands will tend to fly apart when they are cut, and the heavy lift parts may shift when freed from the steel bands. Stand to the side of the steel bands when cutting them, while using gloves when removing the cut bands because they have sharp edges.



You can move the large piece to the garage with the forklift. Other smaller pieces can be moved manually.

## STEP 1: Install the Platform Ramp Extensions

- A. Locate and connect Ramp Extensions Assemblies by inserting the Pivot Pins through each side of the Ramp Extension to connect to each end of Platforms. (Figs. 1 & 2)
- B. Install Snap Rings to both ends of Pivot Pins to secure Ramp Extensions Assemblies to Platforms. (Figs. 1 & 2)

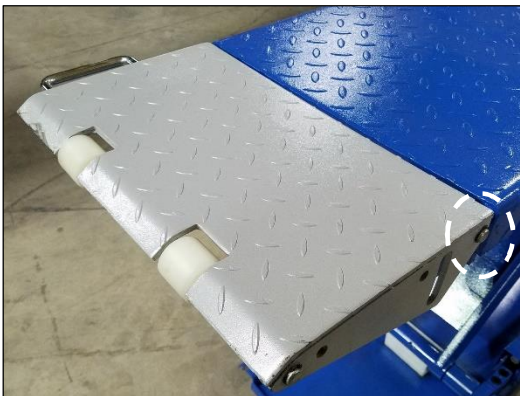


Fig. 1



Fig. 2

## STEP 2: Assemble Power Unit Dolly

- A. Locate Dolly components and assemble as shown in (Fig 3.) and in Exploded View section.

## STEP 3: Attach Power Unit to Dolly

- A. Remove Power Unit from the carton.
- B. Use provided Nuts & Bolts to attach Power Unit to Dolly's mount plate (Fig. 4).

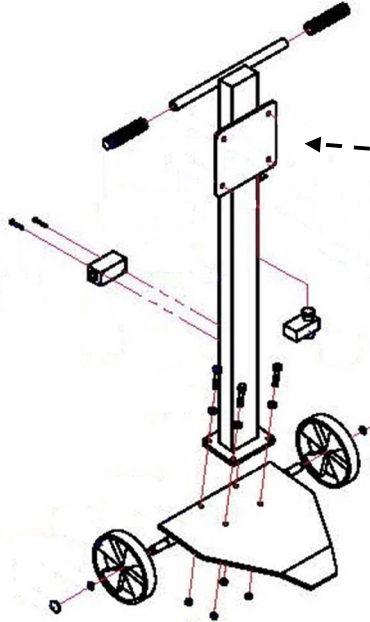


Fig. 3



Fig. 4

## STEP 4: Hydraulic Hose Connections

- A. Connect short Hydraulic Hose to the pump's output port, then to side of Valve Connector on backside of Dolly Stand. (Fig. 5)
- B. Connect both hydraulic hoses from lift cylinders to bottom side of Valve Connector (Fig. 6)

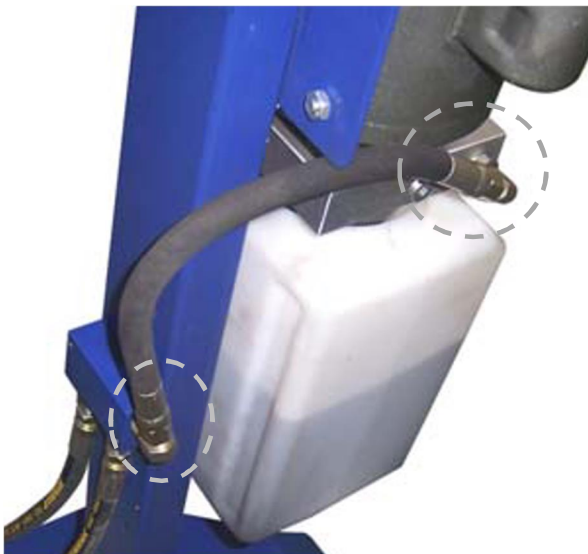


Fig. 5



Fig. 6

## STEP 5: Air Tubing Connections for Safety Latches

- A. Connect the Air Tube (6mm) to the Air Valve Switch located on side of Dolly Stand. (Fig. 7)

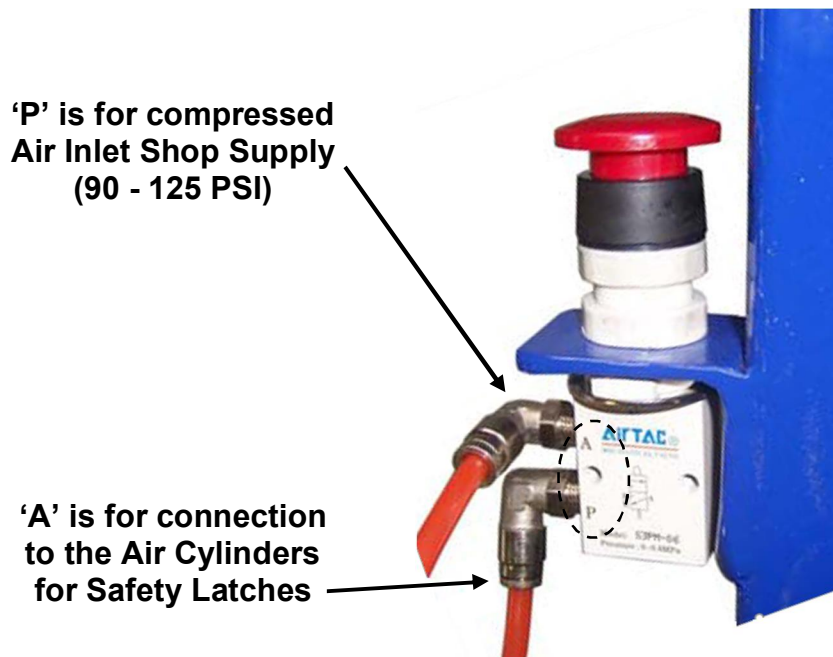


Fig. 7

## STEP 6: Filling Reservoir Tank

- A. Remove the black fill cap on reservoir tank and fill with 6 quarts of Non-Detergent / Non-Foaming Hydraulic Oil - SAE-10, AW 32 or equivalent. Ensure not to fill past the MAX Fill Line on the reservoir tank.

## STEP 7: AC Power Supply Connection

- A. Connect the 115VAC electrical power to the Power Unit's three prong electrical plug. Ensure to use proper size extension cord and plug type for 20 Amps (Fig 5.)
- B. Ensure power supply incorporates 20 Amp breaker service for safety.

## STEP 8: Lift Lubrication

- A. Ensure to lubricate all sliding components with heavy duty white lithium bearing grease.

## Starting Up / Testing

- A. Push the start button on the motor pump to prime the hydraulic oil into the cylinders on the lift. The lift will rise with lock latches passing over the lock ladders (Fig. 8).
- B. Release the start button to stop the lift from rising. Press down on the lowering valve lever and the lift will lower down and automatically to engage the next lower lock height (Fig. 8).

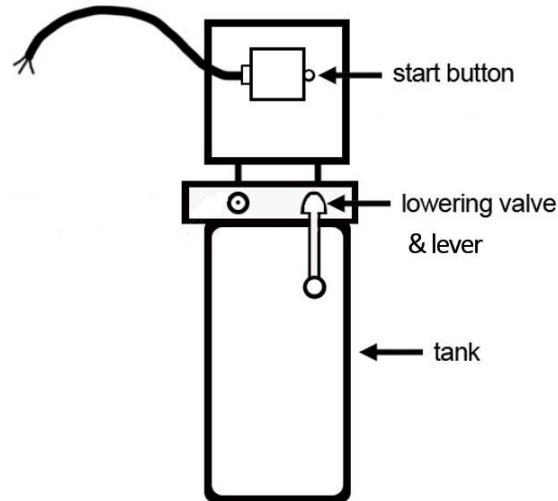


Fig. 8

- C. Push the start button just 2-3 seconds to slightly raise the frame. The safety latches will disengage from the lock ladder notches.
- D. While pressing down & holding the air lock release knob also press down on the power unit's lowering valve lever to lower the lift down to the ground.

## Final Adjustment

1. If any problems are encountered, do not proceed with subsequent steps. Instead, resolve the problem before proceeding by referencing the troubleshooting portion of the Owner's Manual section of this manual.
2. Raise the lift empty to the top of its travel and lower it to the floor three (3) times to remove the remaining air from the hydraulic system.
3. The latches should click together as the lift is being raised.
4. After cycling the lift (3) times, check for any hydraulic and/or air leakages. Tighten connections as required.
5. Ensure to lubricate all sliding components with heavy duty white lithium bearing grease.

# OPERATION INSTRUCTIONS



To avoid personal injury and/or property damage, permit only trained personnel to operate lift. After reviewing these instructions, get familiar with lift controls by running the lift through a few cycles before loading vehicle on the lift.



Always lift the vehicle using all four adapters. NEVER raise just one end, one corner, or one side of vehicle.

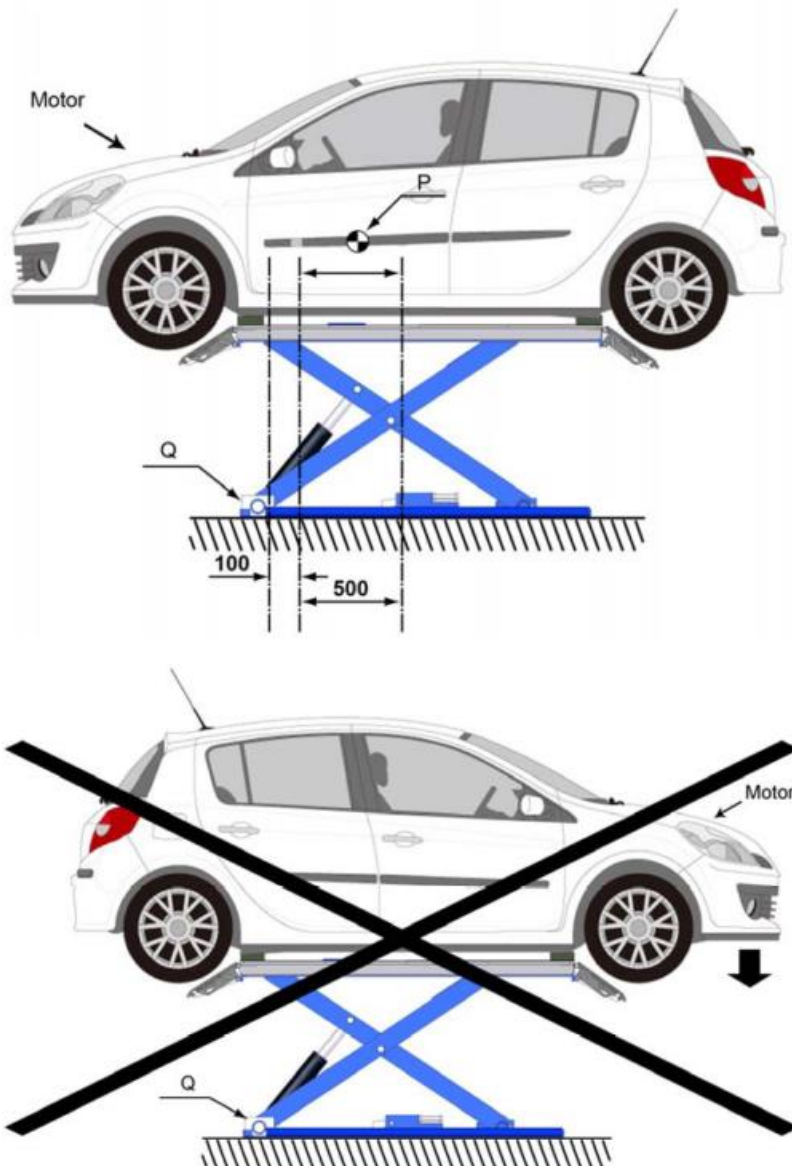


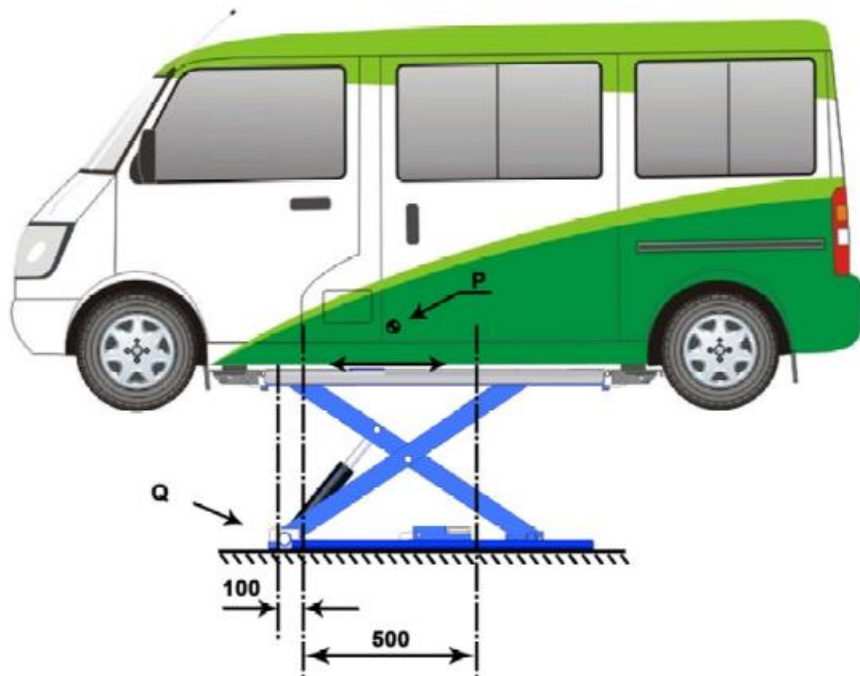
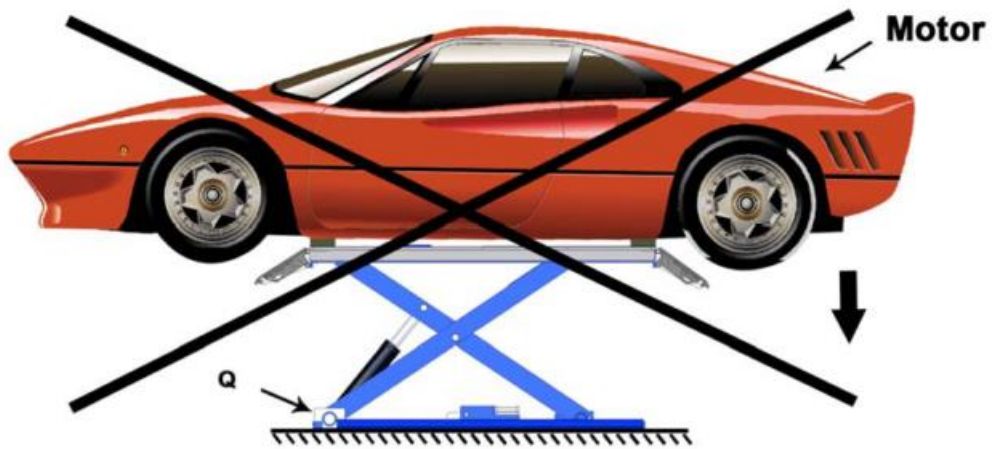
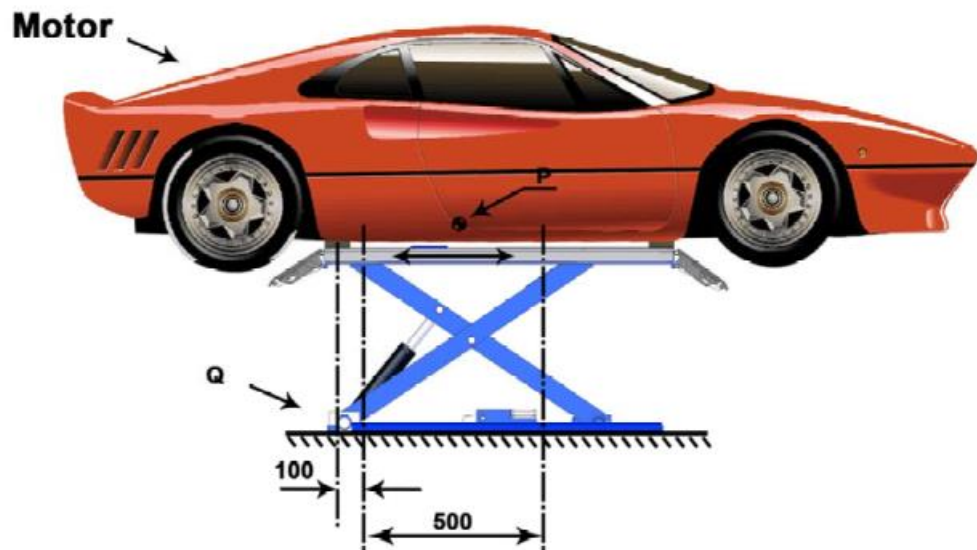
Always lift the vehicle using all four adapters. NEVER raise just one end, one corner, or one side of vehicle.



The heavy end of the vehicle MUST put on the side as shown in the figure.

## Vehicle Positioning





## Lift Preparation

Lift must be fully lowered, and area clear of all personnel before a vehicle is put on the lift.

## Loading Lift

Position the adapters at vehicle manufacturer's recommended lift points. Use intermediate, high step, or optional adapters for under body clearance when required.



**Typical Lifting Points.** Some vehicles may have the manufacturer's Service Lift Point locations identified by triangle shape marks on its under platform. Also, there may be a label located on the right front door lock face showing specific vehicle lift points. If the specific vehicle lift points are not identified, refer to vehicle's operation manual or consult the dealer. **ALWAYS** follow the operating instructions supplied with the lift.

## To Raise Lift

1. Push UP / START button on power unit motor.
2. Raise lift until it touches the frame of the vehicle.
3. Check support adapters for secure contact at vehicle manufacturer's recommended lift points.
4. Continue to raise to desired height, only if vehicle is secure on lift
5. Repeat complete spotting, loading and raising procedures, if required.
6. Push the power unit's LOWERING VALVE LEVER to lower the vehicle to the locking position.



**DO NOT** go under Vehicle if locking latches are not engaged.



**Before attempting to lift Pickup Trucks or other Truck Frame Vehicles, be sure that:**

- Vehicle frame is strong enough to support its weight and has not been weakened by modification or corrosion.
- Vehicle individual axle weight does not exceed one-half lift capacity.
- Adapters are in secure contact with frame at vehicle manufacturers recommended lift point.
- Vehicle is stable on lift.

## To Lower Lift

1. Check all danger points of the lift and be sure that there are no objects or people in the working area around the lift or on the lift.
2. In order to lower the lift to the required working height or to its lowest (or fully collapsed) position, First raise the lift approx. 2" to clear the locking latches. Then push the air-valve button and when keeping it be pressed, also push the LOWERING VALVE LEVER on the power unit.
3. Observe the complete lowering process.
4. When the lift is in its lowest position, remove the adaptor supports.
5. Carefully drive the vehicle off the lift.



**Remain clear of lift when lowering vehicle. Observe pinch point warning decals.**



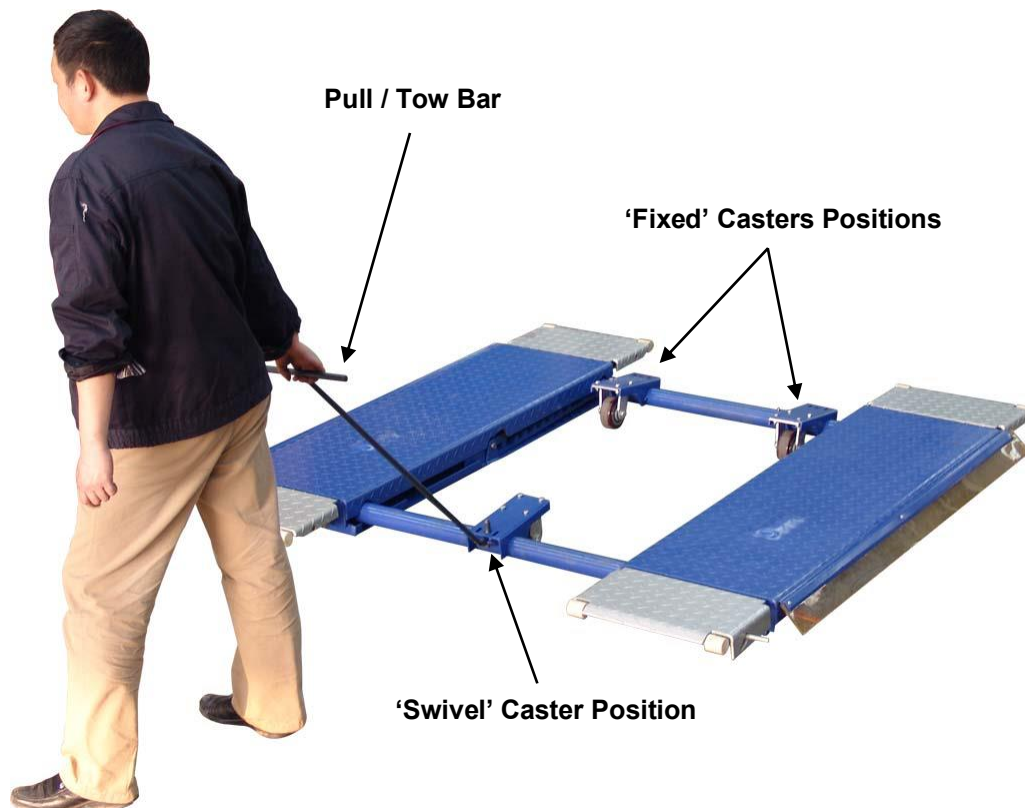
**If lift is not operating properly, DO NOT use until adjustment or repairs are made by qualified lift service personnel.**

## Caster Assembly Installation & Operation for Lift Portability (Optional)

1. Position Lift to the lowest position.
2. Remove Vehicle from Lift.
3. Raise Lift to approx. 20+(500mm).
4. Install the Caster Assemblies towards the inside of lift frame, as shown below.
  - a. Place Fixed Casters (2) to the mount bars welded to lift frame.
  - b. Place Swivel Caster (1) to the single welded mount bar welded to opposite side of lift frame.
5. Lower Lift to the lowest position. Simultaneously, the lift will raise onto the Caster Assemblies allowing for lift portability.
6. Use the Pull / Tow Bar to maneuver the lift into position.
7. Remove the Pull / Tow Bar & Caster Assemblies once the lift is placed in the new location.



**Ensure to Maneuver & Position lift on a Dry and Level Surface meeting the Site & Surface Lift requirements noted on Page 6.**



## Inspection, Maintenance & Cleaning



**Always unplug the Power Cord from the electrical outlet before performing any inspection, adjustments, maintenance and/or cleaning.**

**BEFORE EACH USE:** Inspect the general condition of the Lift. Check for loose screws, misalignment or binding of moving parts, broken parts, damaged electrical wiring and hoses, and any other condition that may affect its safe operation. If abnormal noise or vibration occurs, have the problem identified and corrected before further use. **Do not use a damaged equipment.**

**DAILY:** With compressed air or vacuum, remove all dirt and debris from the Lift. Also, use a detergent or mild solvent to remove oil and grease from the unit. Then, use a premium quality, machine oil to lubricate all moving parts.

**MONTHLY:** With the lift fully lowered, check the level of hydraulic oil in the Reservoir Tank is close to the Max Fill Line. If not, remove the Fill Cap and add premium quality hydraulic oil until the level of oil is even with the Max Fill Line. After filling, place the Fill Cap to Reservoir Tank.



**Never Add Hydraulic Fluid while Lift is in raised position!!**

# Trouble-Shooting Guide

## 1. Motor Does Not Run:

- A. Breaker or fuse blown.....Call electrician
- B. Faulty wiring connections..... Call electrician
- C. Defective start button.....Call electrician
- D. Defective capacitor..... Call electrician

## 2. Motor Runs but Will Not Raise:

- A. Oil level too low.....Oil level should be at the MAX Fill Line with lift fully lowered.
- B. Check for proper clearance for the release valve & stem seat.
- C. Remove the check valve cover and clean ball and seat.
- D. A piece of trash is under the Release Valve. Push handle down and push the up button at the same time. Hold for 10-15 seconds. This should flush the valve out to remove trash.

## 3. Motor Runs but Will Not Raise Vehicle:

- A. Motor running on low voltage.....Call electrician
- B. Lift is overloaded.....Check vehicle's gross weight
- C. Defective pressure relief valve.

## 4. Oil Blows Out Power Unit Fill Cap:

- A. Oil reservoir overfilled.
- B. Lift lowered too quickly while under a heavy load.

## 5. Motor Hums and Will Not Run:

- A. Lift overloaded..... Remove excessive weight from lift.
- B. Bad capacitor.....Call electrician.
- C. Low voltage.....Call electrician.
- D. Faulty wiring.....Call electrician.

## 6. Lift Jerks Up and Down:

- A. Air in hydraulic system.....Raise lift all the way to top and return to floor. Repeat 4-6 times with intervals at least 2 minutes apart. Ensure NOT to overheat the power unit.

## 7. Oil Leaks:

- A. Power unit.....If the power unit leaks hydraulic oil around the tank-mounting flange, check the oil level in the tank. The fluid level should not be above the MAX Fill Line.
- B. Rod end of cylinder.....The rod seal of the cylinder is defective. Rebuild or replace the cylinder.
- C. Breather end of the cylinder...The piston seal of the cylinder is defective. Rebuild or replace the cylinder.

## 8. Lift Makes Excessive Noise:

- A. Roller assemblies not moving freely.....Inspect and apply grease.
- B. Check for excessive wear on shafts & pins...Inspect and replace.
- C. Seals are dry in hydraulic cylinder(s).....Cycle lift as noted in #6.

## 9. Lift Will Not Lower:

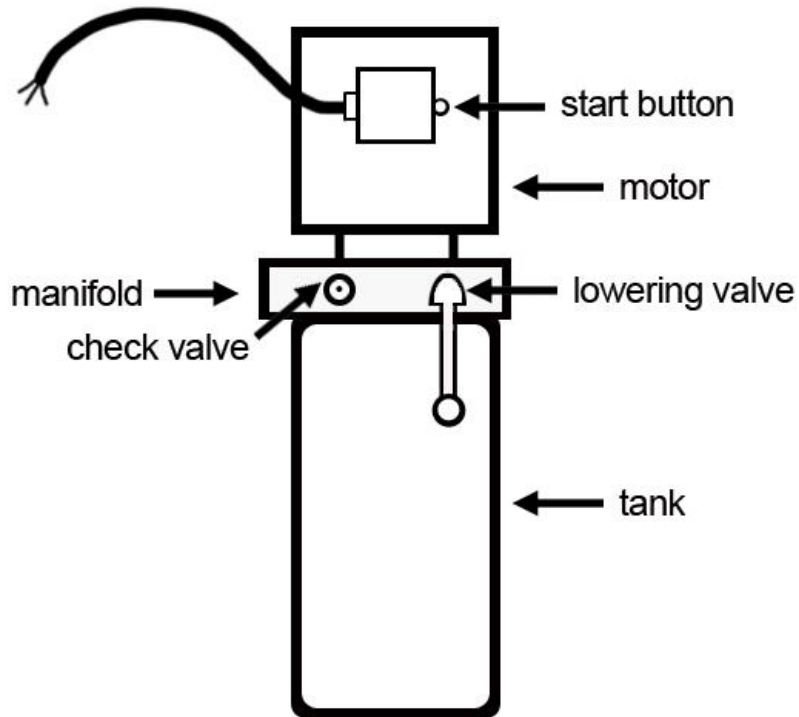
- A. Low psi air supply to air lock valve.....Inspect and adjust shop pressure 90 to 125 psi.
- B. Defective release valve..... Inspect and replace.
- C. Defective safety latch mechanism.....Inspect and replace.

# IMPORTANT

## POWER UNIT PRIMING PROCEDURE

**THE PROBLEM:** Power unit runs fine but will not pump any fluid.

**Step 1** . Locate the check valve. It is the plug to the left of the lowering valve.



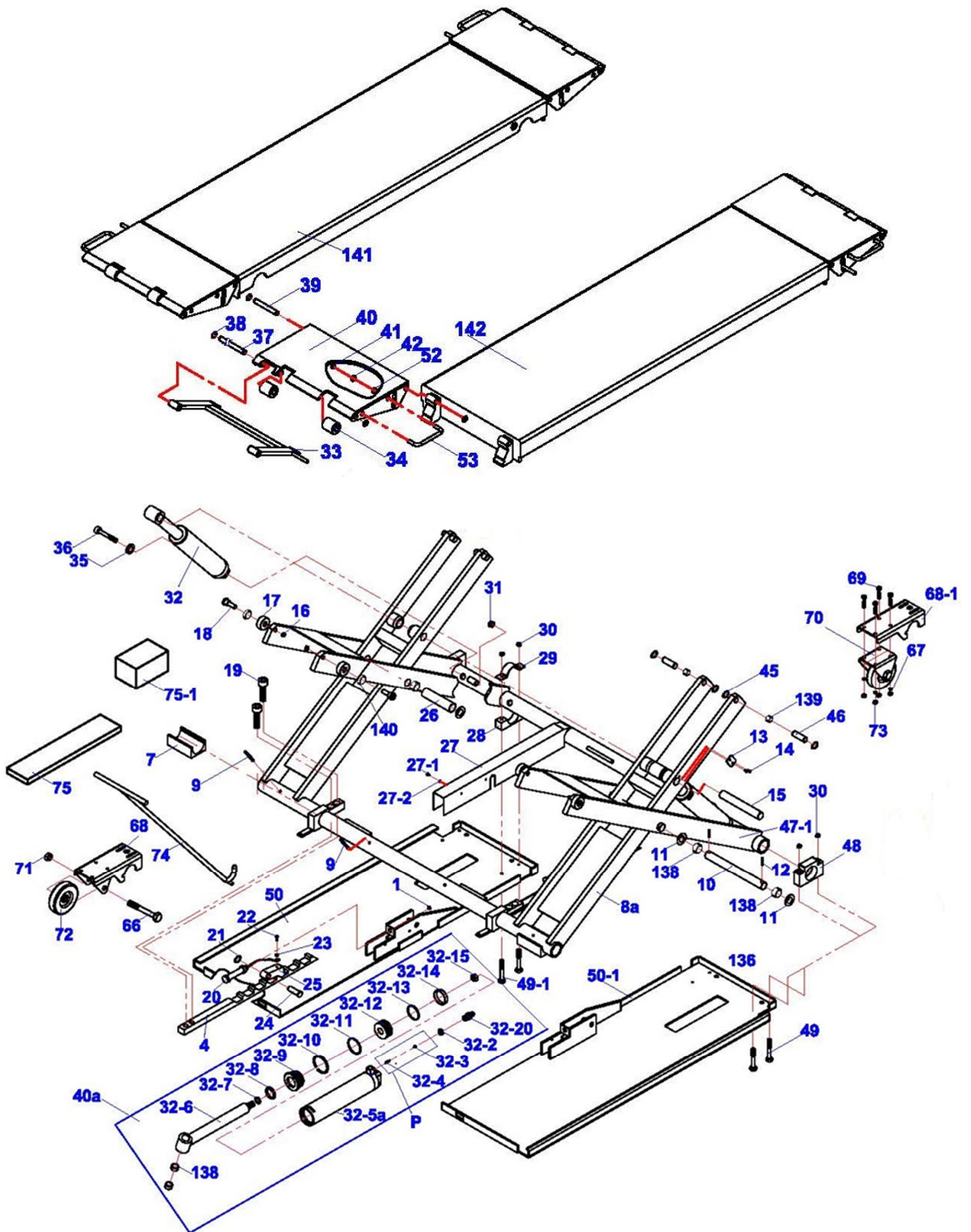
**Step 2** . Using a Hex wrench and shop towel . with shop towel in place to catch fluid . loosen the check valve plug by approximately 2-½ turns and allow fluid to bleed off.

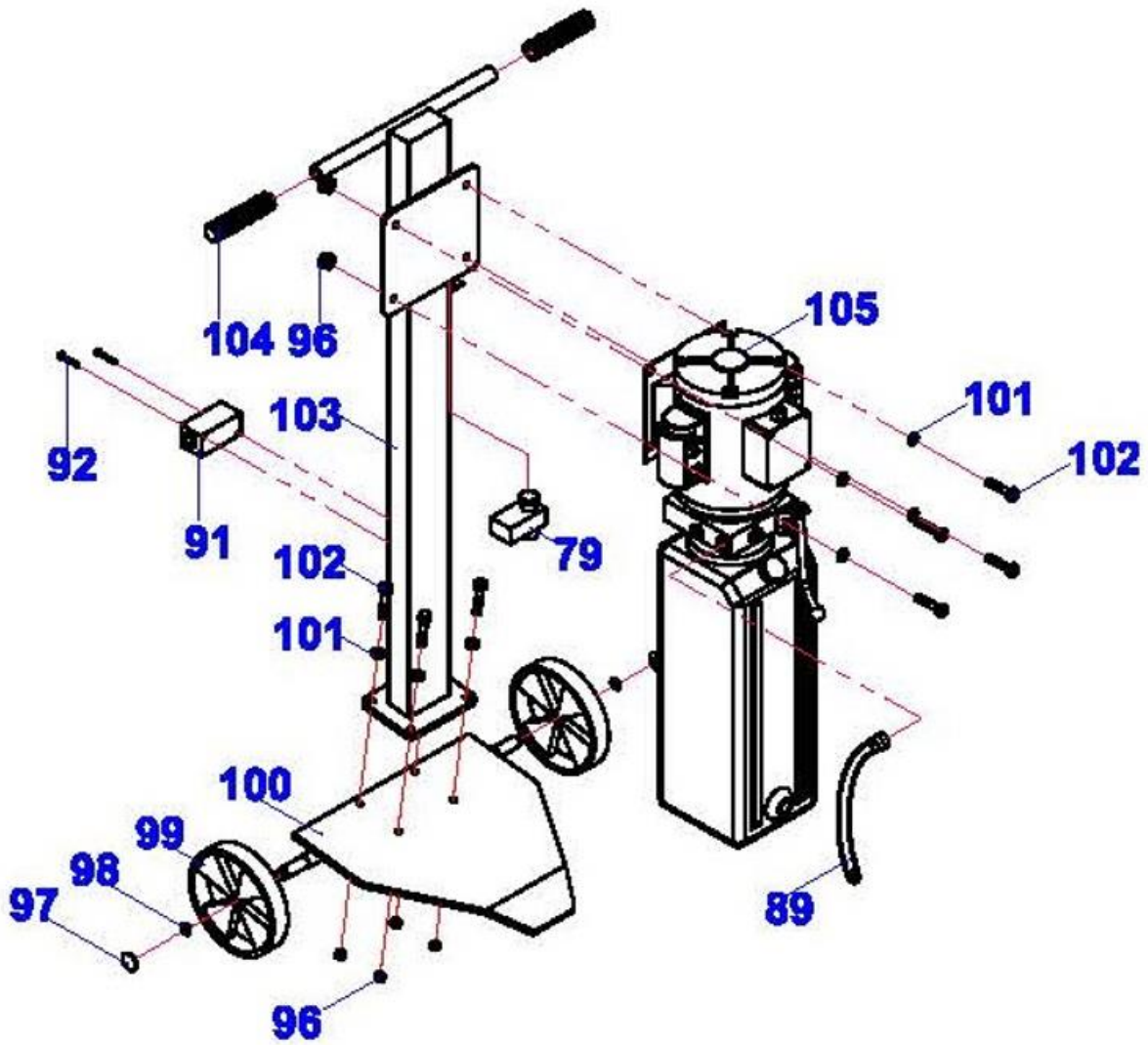
**Step 3** . Push the START button for one second, then release for three seconds. Repeat these steps until unit starts pumping fluid.

**Step 4** . Tighten the check valve plug.

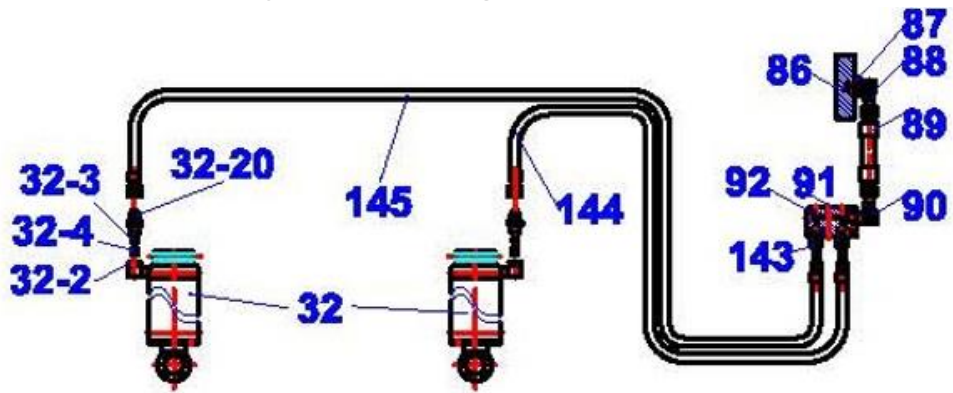
**YOUR POWER UNIT SHOULD NOW BE PRIMED**

# EXPLODED VIEWS

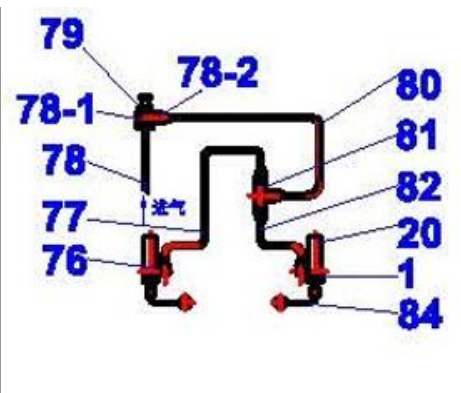




Hydraulic Diagram



Pneumatic Diagram



## PARTS LIST

ITEM	Tux P/N	M-REF P/N	DESCRIPTION	QTY
1	MR6.5K-38-001	JP16-25006-000	Nut	4
4	MR6.5K-38-004	JP16-00008-000	Lock Bar	2
7	MR6.5K-38-007	JP16-00011-000	Half-Moon Slider	2
*8A	MR6.5K-38-008A	JP16-02000-002	Inner Scissor Frame	1
9	MR6.5K-38-009	5402-08060-000	Roll Pin	4
10	MR6.5K-38-010	JP16-00006-000	Center Shaft	2
11	MR6.5K-38-011	5301-00030-000	Flat Washer	4
12	MR6.5K-38-012	5402-06040-000	Roll Pin, D6 x 40mm	4
13	MR6.5K-38-013	JP16-00014-000	Position Plate	2
14	MR6.5K-38-014	5105-05010-000	Socket Screw, M5 x 10mm	4
15	MR6.5K-38-015	JP16-00005-000	Cylinder Pin	2
16	MR6.5K-38-016	5201-00014-000	Nut	4
17	MR6.5K-38-017	JP16-00020-000	Roller	4
18	MR6.5K-38-018	JP16-00017-000	Roller Screw	4
19	MR6.5K-38-019	5105-16043-000	Socket Screw	4
20	MR6.5K-38-020	JP16-25400-000	Air Cylinder	2
21	MR6.5K-38-021	5304-00018-000	Circlip, D18	2
22	MR6.5K-38-022	5101-06012-000	Bolt	2
23	MR6.5K-38-023	5301-00006-000	Flat Washer	2
24	MR6.5K-38-024	JP16-00013-000	Latch Pin	2
25	MR6.5K-38-025	JP16-00012-000	Lock Latch	2
26	MR6.5K-38-026	JP16-00007-000	Center Shaft Sleeve	2
27	MR6.5K-38-027	JP16-00004-000	Latch Cover	2
27-1	MR6.5K-38-027.1	5110-05010-000	Screw, M5 x 10mm	4
27-2	MR6.5K-38-027.2	5301-00005-000	Flat Washer, D5	4
28	MR6.5K-38-028	JP16-00003-000	Shaft Seat	2
29	MR6.5K-38-029	JP16-00002-000	Shaft Seat Cover	2
30	MR6.5K-38-030	5201-00012-000	Nut, M12	8
31	MR6.5K-38-031	5206-00008-000	Self-Lock Nut, M8	2
*32-1	MR6.5K-38-032.1	JP16-06000-C00	Cylinder	2
32-2	MR6.5K-38-032.2	JP16-06007-000	Copper Washer	2

32-3	MR6.5K-38-032.3	JP16-06006-000	Throttle Washer	2
32-4	MR6.5K-38-032.4	QY02-02101-000	Spring	2
32-5A	MR6.5K-38-032.5A	JP16-06100-000	Cylinder Body	2
32-6	MR6.5K-38-032.6	JP16-06200-000	Piston Rod	2
32-7	MR6.5K-38-032.7	5901-00200-000	O-Ring	2
32-8	MR6.5K-38-032.8	5906-00380-000	Dust Ring	2
32-9	MR6.5K-38-032.9	JP16-06004-000	Guide Ring	2
32-10	MR6.5K-38-032.10	JP16-06005-000	Steel Ring	2
32-11	MR6.5K-38-032.11	5901-00650-000	O-Ring	2
32-12	MR6.5K-38-032.12	JP16-06001-000	Piston	2
32-13	MR6.5K-38-032.13	5901-00700-000	Piston Seal	2
32-14	MR6.5K-38-032.14	JP16-06002-000	Guide Belt	2
32-15	MR6.5K-38-032.15	5201-00020-000	Nut, M20	2
32-20	MR6.5K-38-032.20	JP16-06008-000	Fitting Connector	2
33	MR6.5K-38-033	JP16-14000-000	Ramp Support	4
34	MR6.5K-38-034	JP16-12108-000	Roller	8
37	MR6.5K-38-037	JP16-00015-000	Ramp Shaft	4
38	MR6.5K-38-038	5304-00014-000	Circlip, D14	24
39	MR6.5K-38-039	JP16-00016-000	Ramp Support Axle	8
40	MR6.5K-38-040	JP16-12100-000	Ramp	4
41	MR6.5K-38-041	5201-00010-000	Nut, M10	8
42	MR6.5K-38-042	5303-00010-000	Spring Washer, D10	8
45	MR6.5K-38-045	5304-00020-000	Circlips, D20	8
46	MR6.5K-38-046	JP16-00018-000	Upper Pin	4
*47-1	MR6.5K-38-047.1	JP16-01000-001	Outer Scissor Frame	1
48	MR6.5K-38-048	JP16-00001-000	Front Shaft Block	2
49	MR6.5K-38-049	5116-12085-000	Socket Screw, M12 x 85mm	4
49-1	MR6.5K-38-049.1	5116-12065-000	Socket Screw, M12 x 65mm	4
*50A	MR6.5K-38-050A	JP16-10000-001	Underframe Assy. (LH)	1
*50-1A	MR6.5K-38-050.1A	JP16-11000-001	Underframe Assy. (RH)	1
52	MR6.5K-38-052	5301-00010-000	Flat Washer, D18	8
53	MR6.5K-38-053	JP16-12001-000	Ramp Handle	4
66	MR6.5K-38-066	5101-08065-000	Bolt, M8 x 65mm	3
67	MR6.5K-38-067	5301-00008-000	Flat Washer, D8	12

68	MR6.5K-38-068	JP16-05001-000	Wheel Plate-1	2
68-1	MR6.5K-38-068.1	JP16-05001-001	Wheel Plate-2	1
69	MR6.5K-38-069	5109-08020-000	Socket Screw, M8 x 20mm	4
70	MR6.5K-38-070	JP16-05002-001	Swivel Caster Wheel	1
71	MR6.5K-38-071	5201-00008-000	Nut, M8	2
72	MR6.5K-38-072	JP16-05003-000	Fixed Caster Wheel	2
73	MR6.5K-38-073	5206-00008-000	Self-Lock Nut, M8	4
74	MR6.5K-38-074	JP16-04000-000	Pull Bar	1
75	MR6.5K-38-075	JP16-00019-000	Rubber Pad	4
75-1	MR6.5K-38-075.1	JP09-00008-000	Rubber Block	4
76	MR6.5K-38-076	JP16-25100-000	90 Quick Air Fitting	2
77	MR6.5K-38-077	JP16-25001-000	Air Hose-1	1
78	MR6.5K-38-078	JP16-25002-000	Air Hose-2	1
78-1	MR6.5K-38-078.1	DK04-08006-000	Straight Quick Air Fitting-3	1
78-2	MR6.5K-38-078.2	DK04-08004-000	Straight Quick Air Fitting-2	1
79	MR6.5K-38-079	JP16-31100-000	Air Valve	1
80	MR6.5K-38-080	JP16-25004-000	Air Hose-3	1
81	MR6.5K-38-081	JP16-25300-000	Air T-Fitting	1
82	MR6.5K-38-082	JP16-25005-000	Air Hose-4	1
84	MR6.5K-38-084		Steel Cable	2
86	MR6.5K-38-086		Hyd. Valve Block	1
87	MR6.5K-38-087	5901-00118-000	O-Ring, D11.8 x D1.8	1
88	MR6.5K-38-088	SJ01-12001-000	90 Fitting Connector (V-Block)	1
89	MR6.5K-38-089	JP16-30100-000	Short Hyd. Hose	1
90	MR6.5K-38-090	SJ01-03002-000	90 Fitting Connector (T-Block)	1
91	MR6.5K-38-091	JP16-30002-000	Hyd. T-Block	1
92	MR6.5K-38-092	5105-05035-000	Socket Screw, M5 x 35mm	2
96	MR6.5K-38-096	5206-00008-000	Self-Lock Nut, M8	8
97	MR6.5K-38-097	JP16-26001-000	Wheel Axle Cover	2
98	MR6.5K-38-098	5301-00016-000	Flat Washer, D16	2
99	MR6.5K-38-099	XC04-00001-000	Dolly Wheel	2
100	MR6.5K-38-100	JP16-26100-000	Dolly Base	1
101	MR6.5K-38-101	5301-00008-000	Flat Washer	8
102	MR6.5K-38-102	5101-08035-000	Nut	8

103	MR6.5K-38-103	JP16-26200-000	Dolly Post	1
104	MR6.5K-38-104	XC04-00002-000	Handle Sleeve	2
105	MR6.5K-38-105	BZ06	115VAC Power Unit (MR6K-38)	1
138	MR6.5K-38-138	JP16-01007-000	Bearing, D30 x 2 x 30	12
139	MR6.5K-38-139	JP16-02007-000	Bearing, D20 x 1.5 x 20	4
140	MR6.5K-38-140	JP16-00021-000	Bearing, D20 x 1.5 x 15	4
*141-1	MR6.5K-38-141.1	JP16-16000-C00	Platform Assy. (LH)	1
*142-1	MR6.5K-38-142.1	JP16-17000-C00	Platform Assy. (RH)	1
143	MR6.5K-38-143	JP16-30003-000	Straight Hyd. Fitting (T-Block)	2
144	MR6.5K-38-144	JP16-23000-000	Medium Hyd. Hose	1
145	MR6.5K-38-145	JP16-22000-000	Long Hyd. Hose	1

# LIMITED WARRANTY

## **Structural Warranty:**

The following parts and structural components carry a five-year warranty:

Columns	Arms	Uprights	Swivel Pins
Legs	Carriages	Overhead Beam	
Tracks	Cross Rails	Top Rail Beam	

## **Limited One-Year Warranty:**

Tuxedo Distributors, LLC (iDEAL) offers a limited one-year warranty to the original purchaser of Lifts and Wheel Service equipment in the United States and Canada. Tuxedo will replace, without charge, any part found defective in materials or workmanship under normal use, for a period of one year after purchase. The purchaser is responsible for all shipping charges. This warranty does not apply to equipment that has been improperly installed or altered or that has not been operated or maintained according to specifications.

## **Other Limitations:**

This warranty does not cover:

1. Parts needed for normal maintenance
2. Wear parts, including but not limited to cables, slider blocks, chains, rubber pads and pulleys
3. Replacement of lift and tire changer cylinders after the first 30 days. A seal kit and installation instructions will be sent for repairs thereafter.
4. On-site labor

Upon receipt, the customer must visually inspect the equipment for any potential freight damage before signing clear on the shipping receipt. Freight damage is not considered a warranty issue and therefore must be noted for any potential recovery with the shipping company.

The customer is required to notify Tuxedo of any missing parts within 72 hours. Timely notification must be received to be covered under warranty.

Tuxedo will replace any defective part under warranty at no charge as soon as such parts become available from the manufacturer. No guarantee is given as to the immediate availability of replacement parts.

Tuxedo reserves the right to make improvements and/or design changes to its lifts without any obligation to previously sold, assembled or fabricated equipment.

There is no other express warranty on the Tuxedo lifts and this warranty is exclusive of and in lieu of all other warranties, expressed or implied, including all warranties of merchantability and fitness for a particular purpose.

To the fullest extent allowed by law, Tuxedo shall not be liable for loss of use, cost of cover, lost profits, inconvenience, lost time, commercial loss or other incidental or consequential damages.

This Limited Warranty is granted to the original purchaser only and is not transferable or assignable.

Some states do not allow exclusion or limitation of consequential damages or how long an implied warranty lasts, so the above limitations and exclusions may not apply. This warranty gives you specific legal rights and you may have other rights, which may vary from state to state.

8320 E Hwy 67, Alvarado, TX 76009  
Ph. 817-558-9337 / Fax 817-558-9740