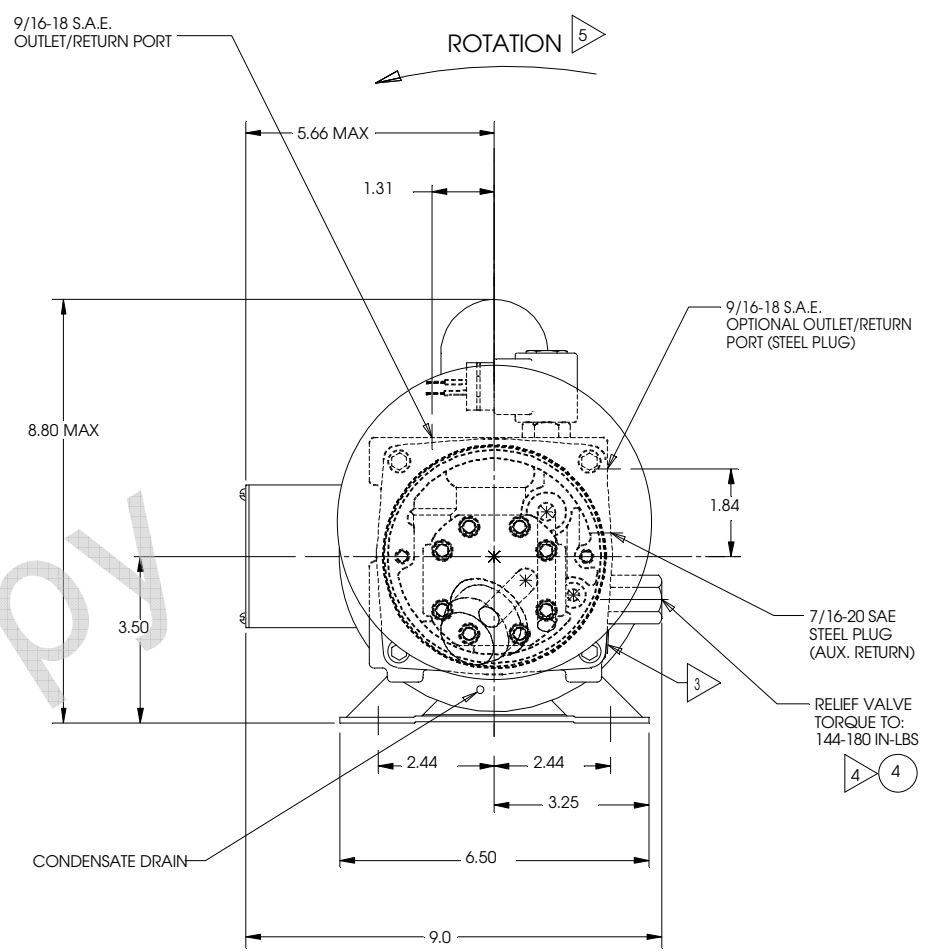
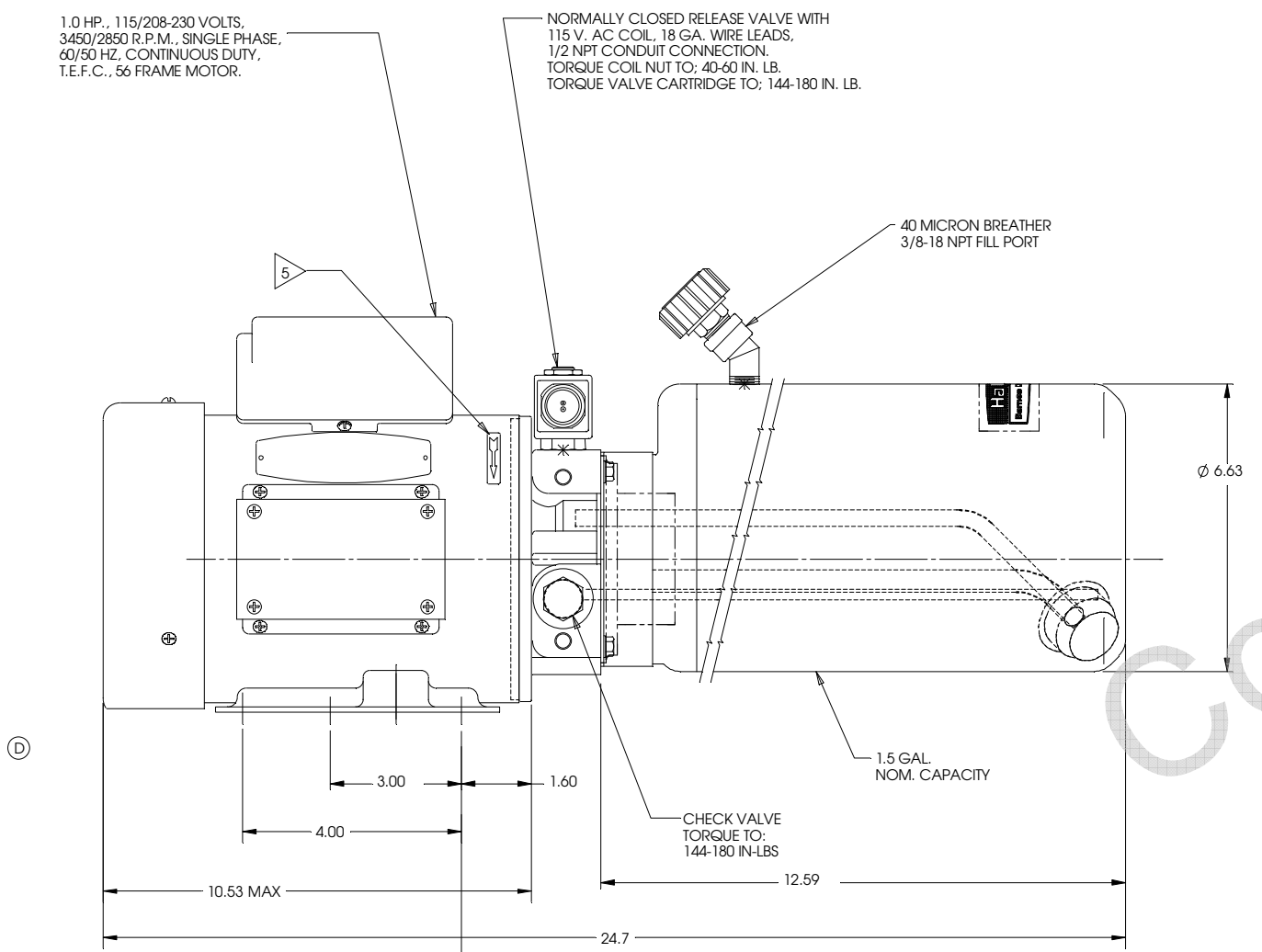
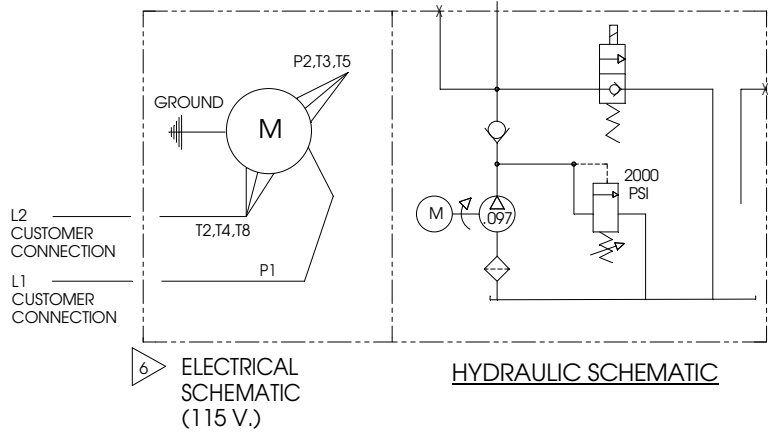
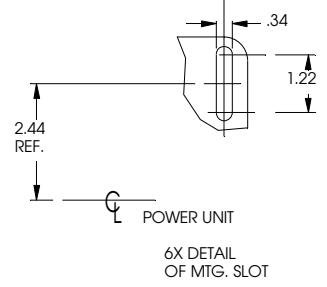


| REVISIONS (REFER TO HALDEX DATABASE FOR ANY OLD REVISION NOT SHOWN) |          |        |                                      |             |     |        |
|---------------------------------------------------------------------|----------|--------|--------------------------------------|-------------|-----|--------|
| CHANGE #                                                            | REVISION | SYMBOL | DESCRIPTION                          | DATE        | BY  | CHK BY |
| 16689                                                               | 04       | D      | CHANGE MOTOR FROM 2190524 TO 2190576 | 03/01/06    | MRG | JRP    |
| 18261                                                               | 05       | -      | MATERIAL CHANGE                      | 18SEP2007   | TCS | BRM    |
| 000554                                                              | 06       | -      | PUMP UPDATE                          | 05-May-2008 | SLG | JBW    |



- NOTES** (UNLESS SPECIFIED OTHERWISE):
- DIMENSIONS ARE NOMINAL EXCEPT WHERE TOLERANCED.
  - UNIT MAY BE VERTICALLY MOUNTED MOTOR END UP OR HORIZONTALLY.
  - MARK DATA LABEL AS SHOWN:
 

NORTHERN, INC.  
 BURNSVILLE, MN.  
 105891  
 PHONE 800-533-5545  
 DATE CODE:
  - SEAL RELIEF VALVE WITH "TORQUE SEAL ANTI-SABOTAGE INSPECTORS LACQUER" (MANUFACTURER: ORGANIC PRODUCTS, DESIGNATION F900)
  - DECAL (ARROW) TO BE LOCATED AS SHOWN. ARROW INDICATES ROTATION OF MOTOR FROM SHAFT END.
  - WIRE MOTOR FOR 115 VOLTS AS SHOWN.
  - SEE SHT 2 OF 2 FOR SERVICE PARTS EXPLODED VIEW.



CUSTOMER: NORTHERN INC. PART NUMBER: 105891

GENERAL DATA: PUMP DISPLACEMENT OF .097 CU. IN./REV. (1.59 CC/REV) 115/208-230 VOLTS, 56 FRAME, SINGLE PHASE 3450/2850 RPM 60/50 HZ.

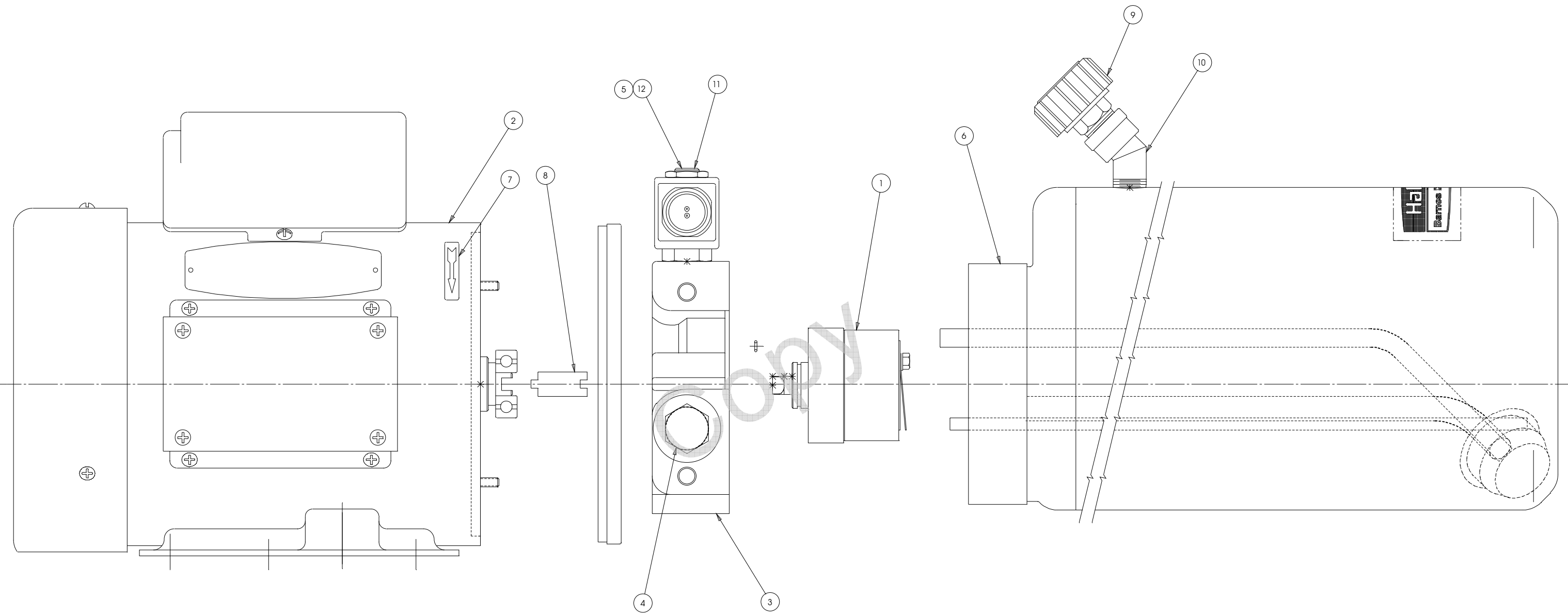
TEST DATA: USING .200 SSU (43 cst) FLUID  
 SET FULL BY-PASS RELIEF AT 2000 PSI (13790 KPA)  
 UNIT TO DELIVER 1.25 GPM (4.73 LITERS/MIN)  
 AT 1600 PSI (11032 KPA) AT 3450 RPM

CURRENT DRAW AT 2000 PSI AND 115 VOLTS/ 60 Hz. TO BE 21.0 AMPS MAX.

**PROPRIETARY AND CONFIDENTIAL**

THIS DOCUMENT IS THE PROPERTY OF HALDEX HYDRAULICS CORP. NO RIGHT OR LICENSE TO SUCH MATTER IS GIVEN OR WAIVED BY SUPPLYING THIS DOCUMENT. IT IS NOT TO BE COPIED OR DISCLOSED OTHER THAN TO A GOVERNMENT AGENCY EXCEPT ON WRITTEN CONSENT OF HALDEX HYDRAULICS CORP. IT MUST ALWAYS CONTAIN THIS NOTICE. THIS DOCUMENT CONTAINS CONFIDENTIAL INFORMATION BELONGING TO HALDEX HYDRAULICS CORP. AND IS NOT TO BE USED TO ITS DETRIMENT. ANYONE FAILING TO COMPLY WITH THESE REGULATIONS, SHALL BE SUBJECT TO LEGAL ACTION.

|                                                                                                                         |                |                                                                                                                    |                    |                        |
|-------------------------------------------------------------------------------------------------------------------------|----------------|--------------------------------------------------------------------------------------------------------------------|--------------------|------------------------|
| DRAWING INTERPRETATION UNLESS OTHERWISE SPECIFIED INTERPRET PER ANSI Y14.5M 1982 TOLERANCES, UNLESS OTHERWISE SPECIFIED |                | 2222 15th STREET, ROCKFORD, IL USA<br>214 JAMES FARM Rd, STATESVILLE, NC, USA<br>SELGENWEG 12 D-95028, HOF GERMANY |                    | THIRD ANGLE PROJECTION |
| NO. 18233B00                                                                                                            | DATE 11FEB1999 | DATE 15FEB1999                                                                                                     | DATE 11FEB1999     | DATE 18FEB1999         |
| CHK MLG                                                                                                                 | DATE 11FEB1999 | DATE 11FEB1999                                                                                                     | DATE 11FEB1999     | DATE 18FEB1999         |
| ENG APP SAM                                                                                                             | DATE 11FEB1999 | DATE 11FEB1999                                                                                                     | DATE 11FEB1999     | DATE 18FEB1999         |
| MFG APP SGP                                                                                                             | DATE 18FEB1999 | DATE 18FEB1999                                                                                                     | DATE 18FEB1999     | DATE 18FEB1999         |
| SPECIFIED PLACES: INCH MM                                                                                               |                | TITLE 8000 WITH AC MOTOR                                                                                           |                    |                        |
| -X                                                                                                                      | ±.03           | ±0.8                                                                                                               | SCALE 1:1          |                        |
| .XX                                                                                                                     | ±0.10          | ±0.25                                                                                                              | RK                 |                        |
| .XXX                                                                                                                    | ±0.12          | ±0.12                                                                                                              | RK                 |                        |
| .XXXX                                                                                                                   | ±0.05          | ---                                                                                                                | RK                 |                        |
| SURFACE FINISH 125                                                                                                      | 1/2            | ---                                                                                                                | RK                 |                        |
| ANGULAR DIMENSION ± 5°                                                                                                  | ---            | ---                                                                                                                | RK                 |                        |
| DISTRIBUTION                                                                                                            |                | SCALE                                                                                                              | TITLE              | REV                    |
| RK                                                                                                                      |                | 1:1                                                                                                                | 8000 WITH AC MOTOR | 06                     |
| ABL                                                                                                                     | FORMAT/SIZE    | SHEET                                                                                                              | NUMBER             | REV                    |
| RK                                                                                                                      | D              | 1 OF 2                                                                                                             | 1530037            | (A) 06                 |



FOR SERVICE PART NUMBER LISTINGS  
SEE 1530037-S

|                                                                                                                                                                                                                                                                                                                                                                                                                                                                                                                           |         |               |                    |                                                                                                                       |  |
|---------------------------------------------------------------------------------------------------------------------------------------------------------------------------------------------------------------------------------------------------------------------------------------------------------------------------------------------------------------------------------------------------------------------------------------------------------------------------------------------------------------------------|---------|---------------|--------------------|-----------------------------------------------------------------------------------------------------------------------|--|
| <b>PROPRIETARY AND CONFIDENTIAL</b>                                                                                                                                                                                                                                                                                                                                                                                                                                                                                       |         | <b>Haldex</b> |                    | 2222 15th STREET, ROCKFORD, IL, USA<br>214 JAMES FARM RD, STATESVILLE, NC, USA<br>SELIGENWEG 12 D-95028, HOF, GERMANY |  |
| THIS DOCUMENT IS THE PROPERTY OF HALDEX HYDRAULICS CORP. NO RIGHT OR LICENSE TO SUCH MATTER IS GIVEN OR WAIVED BY SUPPLYING THIS DOCUMENT. IT IS NOT TO BE COPIED OR DISCLOSED OTHER THAN TO A GOVERNMENT AGENCY EXCEPT ON WRITTEN CONSENT OF HALDEX HYDRAULICS CORP. IT MUST ALWAYS CONTAIN THIS NOTICE. THIS DOCUMENT CONTAINS CONFIDENTIAL INFORMATION BELONGING TO HALDEX HYDRAULICS CORP. AND IS NOT TO BE USED TO ITS DETRIMENT. ANYONE FAILING TO COMPLY WITH THESE REGULATIONS, SHALL BE SUBJECT TO LEGAL ACTION. |         | SCALE         | TITLE              |                                                                                                                       |  |
|                                                                                                                                                                                                                                                                                                                                                                                                                                                                                                                           |         | NONE          | 8000 WITH AC MOTOR |                                                                                                                       |  |
| SHEET                                                                                                                                                                                                                                                                                                                                                                                                                                                                                                                     | NUMBER  | REV           |                    |                                                                                                                       |  |
| 2 of 2                                                                                                                                                                                                                                                                                                                                                                                                                                                                                                                    | 1530037 | (A) 06        |                    |                                                                                                                       |  |