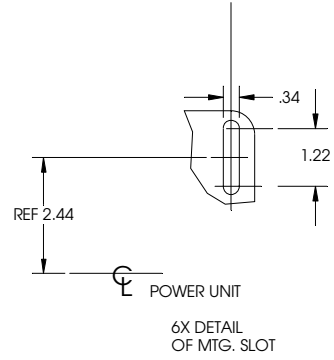
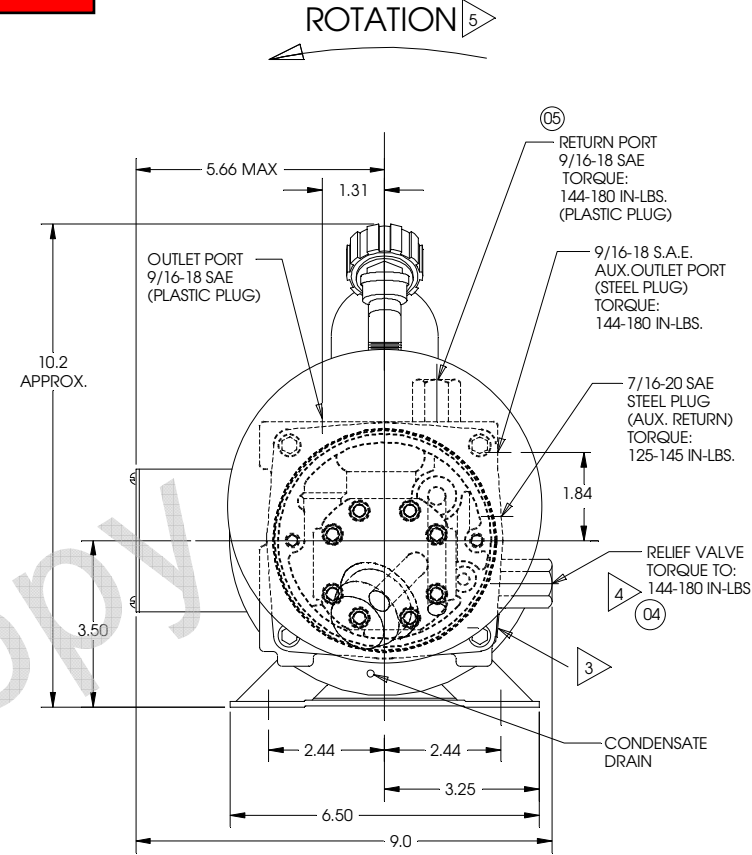
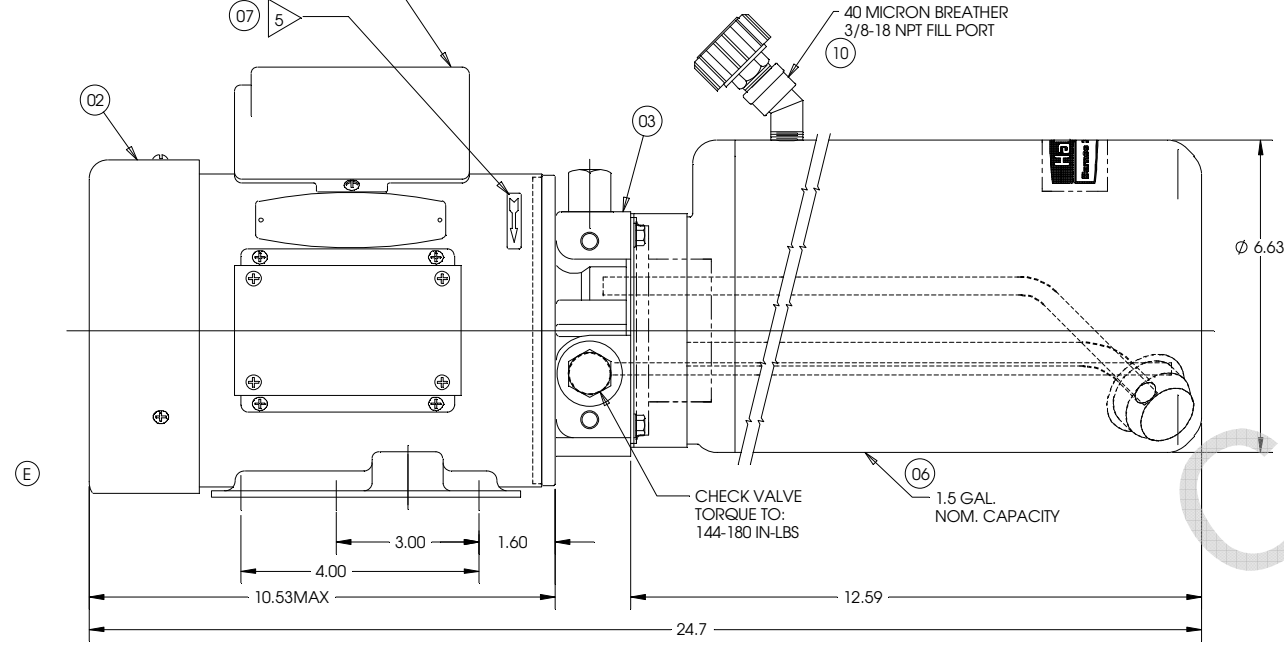


REVISIONS (REFER TO HALDEX DATABASE FOR ANY OLD REVISION NOT SHOWN)						
CHANGE #	REVISION	SYMBOL	DESCRIPTION	DATE	BY	CHK BY
16689	05	E	MOTOR CHANGED FROM 2190524 TO 2190576	02/07/06	MRG	JRP
18261	06	-	MATERIAL CHANGE	21SEP2007	TCS	BRM
000554	07	-	PUMP UPDATE	05-May-2008	SLG	JBW
000786	08	F	1.25 GPM WAS 125 GPM	01-Jul-2008	SLG	BRM
000925	09	G	115 VOLTS WAS 230 VOLTS	12-Sep-2008	SLG	BRM

CONFIDENTIAL AND PROPRIETARY INFORMATION - DO NOT SHARE THIS DOCUMENT

1.0 HP., 115/208-230 VOLTS,
3450/2850 R.P.M., SINGLE PHASE
60/50 HZ, CONTINUOUS DUTY,
T.E.F.C., 56 FRAME MOTOR



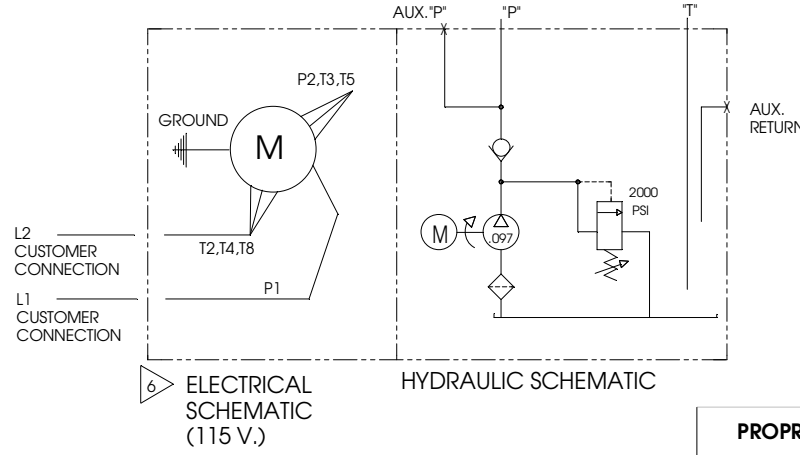
- NOTES: (UNLESS OTHERWISE SPECIFIED):**
- DIMENSIONS ARE NOMINAL EXCEPT WHERE TOLERANCED.
 - UNITS MAY BE VERTICALLY MOUNTED MOTOR END UP OR HORIZONTALLY.
 - MARK DATA PALTE AS SHOWN:

NORTHERN, INC.
 BURNSVILLE, MN.
 105871
 PHONE 800-533-5545
 DATE CODE: _____
 - SEAL RELIEF VALVE WITH "TORQUE SEAL ANTI-SABOTAGE INSPECTORS LACQUER" (MANUFACTURER: ORGANIC PRODUCTS, DESIGNATION F900).
 - DECAL ("ARROW") TO BE LOCATED AS SHOWN. ARROW INDICATES ROTATION OF MOTOR FROM SHAFT END.
 - WIRE MOTOR FOR 115 VOLTS AS SHOWN.
 - SEE SHT 2 OF 2 FOR SERVICE PARTS EXPLODED VIEW

CUSTOMER: NORTHERN INC. PART NUMBER: 105871

GENERAL DATA: PUMP DISPLACEMENT OF .097 CU. IN/REV. (1.59 CC/REV)
115/208-230 VOLTS, 56 FRAME, SINGLE PHASE
3450/2850 RPM 60/50 HZ.

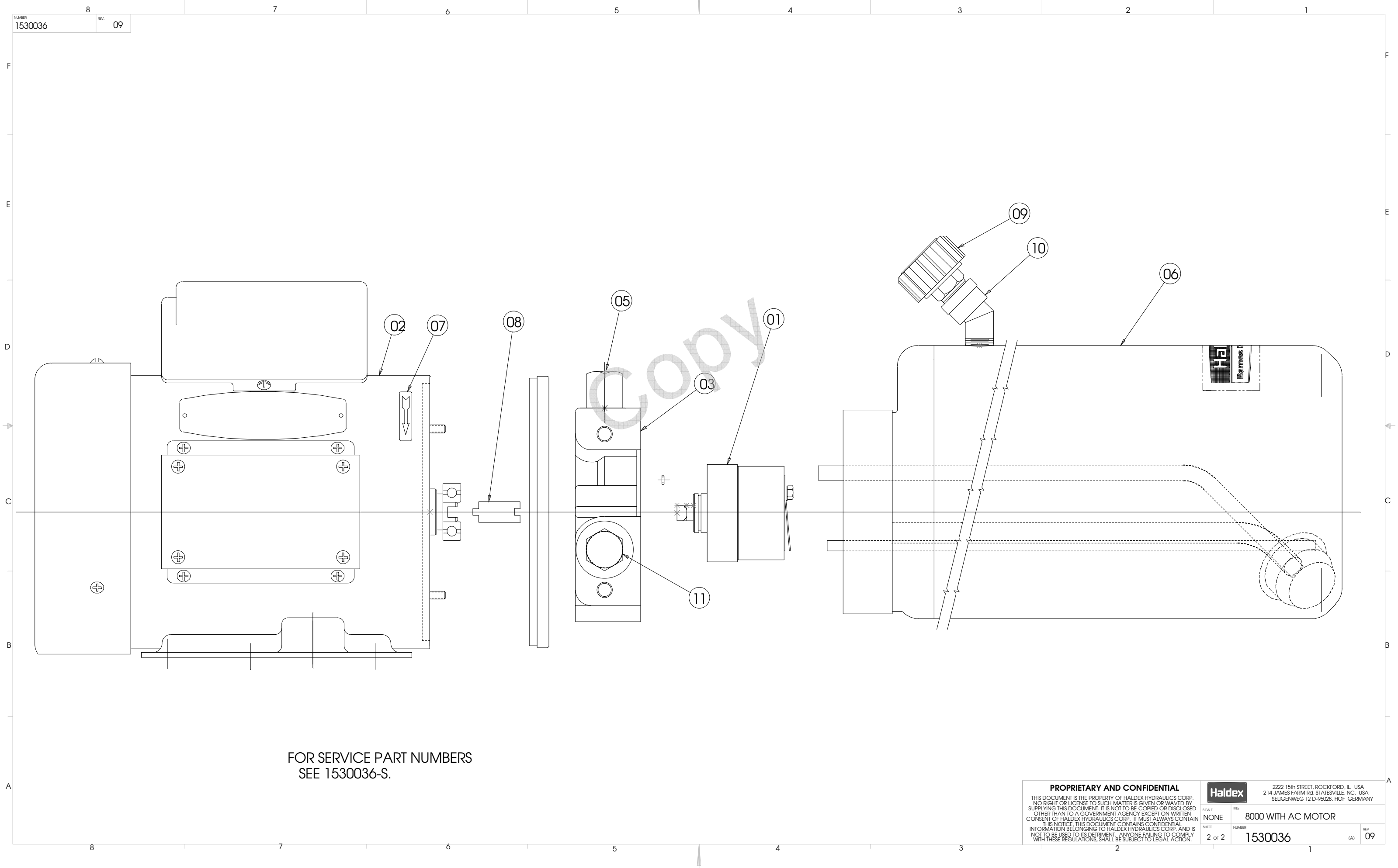
TEST DATA: USING 200 SSU (43 cST) FLUID
 SET FULL BY-PASS RELIEF AT 2000 PSI (13790 KPA)
 UNIT TO DELIVER 1.25 GPM (4.73 LITERS/MIN)
 AT 1600 PSI (11032 KPA) AT 3450 RPM
 CURRENT DRAW AT 2000 PSI AND 115 VOLTS/60 Hz. TO BE 21.0 AMPS MAX.



PROPRIETARY AND CONFIDENTIAL

THIS DOCUMENT IS THE PROPERTY OF HALDEX HYDRAULICS CORP. NO RIGHT OR LICENSE TO SUCH MATTER IS GIVEN OR WAIVED BY SUPPLYING THIS DOCUMENT. IT IS NOT TO BE COPIED OR DISCLOSED OTHER THAN TO A GOVERNMENT AGENCY EXCEPT ON WRITTEN CONSENT OF HALDEX HYDRAULICS CORP. IT MUST ALWAYS CONTAIN THIS NOTICE. THIS DOCUMENT CONTAINS CONFIDENTIAL INFORMATION BELONGING TO HALDEX HYDRAULICS CORP. AND IS NOT TO BE USED TO ITS DETRIMENT. ANYONE FAILING TO COMPLY WITH THESE REGULATIONS, SHALL BE SUBJECT TO LEGAL ACTION.

DRAWING INTERPRETATION UNLESS OTHERWISE SPECIFIED INTERPRET PER ANSI Y14.5M 1982 TOLERANCES UNLESS OTHERWISE SPECIFIED		2222 15th STREET, ROCKFORD, IL USA 214 JAMES FARM Rd, STATESVILLE, NC, USA SELGENWEG 12 D-95028, HOF GERMANY		THIRD ANGLE PROJECTION
MOORE	18232B00	DATE	11FEB1999	MATL
DRW	DHE	CHK	MLG	DATE
ENG APP	SAM	DATE	11FEB1999	ASSEMBLY
MFG APP	SGP	DATE	18FEB1999	
DISTRIBUTION	SCALE	TITLE		
RK	1:1	8000 WITH AC MOTOR		
ABL	FORMAT/SIZE	SHEET	NUMBER	REV
RK	D	1 OF 2	1530036	(A) 09



FOR SERVICE PART NUMBERS
SEE 1530036-S.

PROPRIETARY AND CONFIDENTIAL		Haldex		2222 15th STREET, ROCKFORD, IL, USA 214 JAMES FARM RD, STATESVILLE, NC, USA SELIGENWEG 12 D-95028, HOF, GERMANY	
THIS DOCUMENT IS THE PROPERTY OF HALDEX HYDRAULICS CORP. NO RIGHT OR LICENSE TO SUCH MATTER IS GIVEN OR WAIVED BY SUPPLYING THIS DOCUMENT. IT IS NOT TO BE COPIED OR DISCLOSED OTHER THAN TO A GOVERNMENT AGENCY EXCEPT ON WRITTEN CONSENT OF HALDEX HYDRAULICS CORP. IT MUST ALWAYS CONTAIN THIS NOTICE. THIS DOCUMENT CONTAINS CONFIDENTIAL INFORMATION BELONGING TO HALDEX HYDRAULICS CORP. AND IS NOT TO BE USED TO ITS DETRIMENT. ANYONE FAILING TO COMPLY WITH THESE REGULATIONS, SHALL BE SUBJECT TO LEGAL ACTION.		SCALE	TITLE		
		NONE	8000 WITH AC MOTOR		
SHEET	NUMBER	REV			
2 of 2	1530036	09			