

EN

OPERATOR'S MANUAL

PUSH BEAM TROLLEY
0.5 TON
THROUGH
10 TON



GEARED BEAM TROLLEY
1 TON
THROUGH
30 TON



QUICK ADJUST TROLLEY
1 TON
THROUGH
10 TON



**These products meet or exceed
the following standards:**

CE | AS1418.2 | ANSI B30.10
(For use with manual or powered hoists)



P.O. Box 845, Winona, MN 55987
Phone (800) 749-1064
(507) 474-6250
Tech Support (507) 457-3346
Fax (507) 452-5217
sales@ozliftingproducts.com
www.ozliftingproducts.com

Table of Contents

Pg.2 **Product Features**
Pg.3 **Warranty**
Pg.4 **Important Information and Precautions/Warnings**
Pg.5 **Technical Information**
Pg.6 **Technical Information**
Pg.7 **Installation**
Pg.8 **Operation/Maintenance**



Check out our How to Videos at
www.ozliftingproducts.com

Product Features



PUSH BEAM TROLLEY



GEARED BEAM TROLLEY



QUICK ADJUST TROLLEY

- Lightweight, robust construction
- Fits to most I, S, and W-Beams
- Durable baked-enamel paint protection
- Precision ball bearing trolley wheels
- Anti-drop plate
- Stainless steel ID tag
- Individual test certificate & serial number
- Safety handle lock (Beam Trolley With Clamp)
- Gearing provides positive load positioning along the beam (Geared Beam Trolley)

Warranty

OZ Lifting Products LLC® guarantees these products to be free of defects in materials and workmanship for five years from the date of shipment.

This warranty does not apply to products that show signs of misuse, overloading, alteration, improper maintenance or negligence. The normal wear and tear of moving parts is excluded from the warranty. Moving parts are defined as brake discs, wire rope and other wear components that are subject to use conditions. This warranty does not cover any costs related to removal of these products, lost time, or any other incidental or consequential damages/costs resulting from the claimed defects.

If these products fails during the first five years of operating due to defective materials or workmanship, they will be repaired or replaced at the discretion of OZ Lifting Products LLC®. Any product subject to a warranty claim must be returned, prepaid, to an authorized OZ Lifting Products LLC® warranty depot along with proof of purchase. Upon repair, the product will be returned to the customer free of charge. If no defect is found, the customer will be responsible for return shipping costs. The product's warranty will be effective for the remainder of the original warranty period (five years from shipment date).

OZ Lifting Products LLC® will not be held liable for the following arising from the use of this product: injuries to persons or property, death, incidental, consequential, or contingent damages, whether negligent or deliberate. It is the sole responsibility of the owner to install and operate the product properly and safely.

This is OZ Lifting Products LLC®'s only written warranty. This warranty is in lieu of all other warranties implied by law such as merchantability and fitness. The sale of products from OZ Lifting Products LLC® under any other warranty or guarantee, expressed or implied, is not authorized.

NOTE: OZ Lifting Products LLC® has the right to alter the design of or discontinue the production of any product without prior notice.

For more information please contact:



P.O. Box 845, Winona, MN 55987

Phone (800) 749-1064

(507) 474-6250

Tech Support (507) 457-3346

Fax (507) 452-5217

sales@ozliftingproducts.com

www.ozliftingproducts.com

Important Information and Precautions

The information in this manual should be used only for the **Push Beam Trolley, Geared Beam Trolley, and Beam Trolley With Clamp**. This manual contains general instructions dealing with the normal installation, operation, and maintenance of the products described herein. The information provided should not be expected to prepare the user for all possible circumstances.

These products should not be installed, operated, or maintained by any person who has not read all the contents of these instructions. Failure to read and comply with these instructions, warnings, or limitations noted might result in bodily injury, death, or property damage. Contact the distributor for further explanation if information is not fully understood.

It is the responsibility of the owner/user to install, test, maintain, and operate these products in accordance with OSHA, regulations, other federal, state, and local regulations, and ANSI standards.

Only trained and qualified personnel shall operate and maintain this equipment.

Maintain Records

Schedule and maintain records of regular inspection and maintenance of these products. Record the serial number and purchase date of your trolleys on the front cover of this manual to allow for easier referencing.

Precautions

Do not use these trolleys in conjunction with other equipment unless the system designer, manufacturer, installer, or user has put the necessary safety devices in place. Modifications to upgrade or alter these products should only be authorized by the original manufacturer.

These trolleys should be used for holding loads only within their load ratings..

Standards: CE, AS1418.2, ANSI B30.10 (For use with manual or powered hoists)

Warnings

Failure to read and comply with the following warnings may result in a hazardous situation that could lead to death, serious injury, or property damage.

Be sure to properly install, operate, and maintain the trolleys so they do not come off the beam.

Do Not lift more than the rated load.

Do Not lift people or lift loads over people.

Do Not operate with side or off center loading of load.

Do Not operate a damaged or malfunctioning product.

Do Not remove, deface, or cover warning labels.

Do Not leave a suspended load unattended, unless specific precautions are instituted.

Do Not operate until personnel are warned and cleared from the area.

Do Not operate if locking nuts are not tight and locked in position.

Do Not operate if space washers are not correctly spaced.

Do Not operate if end stops are defective and don't restrain the trolley.

Do Not use if load is not suspended vertically.

Do Not use trolleys as welding ground.

Do Not weld on the lifted load.

Do Not use trolleys in corrosive environments.

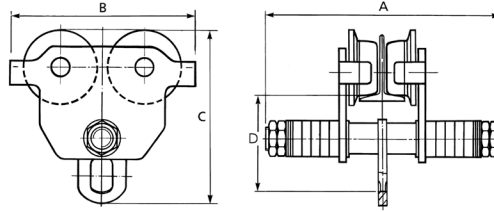
Do Not allow the load to swing.

Do Not use for any function other than that for which the product is designed.



Technical Information

PUSH BEAM TROLLEY (0.5, 1, 2, 3, 5 and 10 tons)



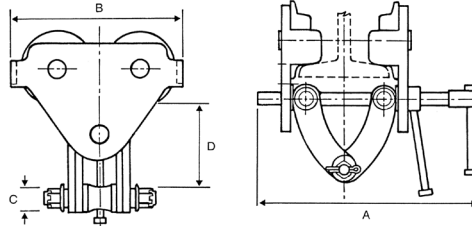
Bail and Wheel
Dimensions available at
www.ozliftingproducts.com

Specification

| PRODUCT CODE | OZ05PBT | OZ1PBT | OZ2PBT | OZ3PBT | OZ5PBT | OZ10PBT |
|------------------------------|----------------|----------------|--------------|--------------|--------------|-----------------|
| Safe working load (lbs) | 1,000 (lbs) | 2,000 (lbs) | 4,000 (lbs) | 6,000 (lbs) | 10,000 (lbs) | 20,000 (lbs) |
| Adjustable flange width (in) | 2.52-8.00 (in) | 2.52-8.00 (in) | 3.46-12 (in) | 4.00-12 (in) | 4.49-12 (in) | 4.95-12.00 (in) |
| Max flange width (in) | 1.14 (in) | 1.50 (in) | 1.61 (in) | 1.81 (in) | 2.28 (in) | 1.97 (in) |
| Product dimensions | A | 12.25 (in) | 12.75 (in) | 17.5 (in) | 17.31 (in) | 18.87 (in) |
| | B | 8.50 (in) | 9.45 (in) | 11.81 (in) | 13.58 (in) | 15.55 (in) |
| | C | 7.67 (in) | 8.41 (in) | 11.26 (in) | 13.23 (in) | 15.47 (in) |
| | D | 4.33 (in) | 4.90 (in) | 6.34 (in) | 7.28 (in) | 8.66 (in) |
| Minimum radius curve (ft) | 2.95 (ft) | 3.28 (ft) | 3.60 (ft) | 4.26 (ft) | 4.59 (ft) | 5.57 (ft) |
| Net weight (lbs) | 20 (lbs) | 22 (lbs) | 50 (lbs) | 82 (lbs) | 123 (lbs) | 198 (lbs) |

Technical Information

QUICK ADJUST TROLLEY (.5, 1, 2, 3, 5 and 10 tons)



Bail and Wheel
Dimensions available at
www.ozliftingproducts.com

Specification

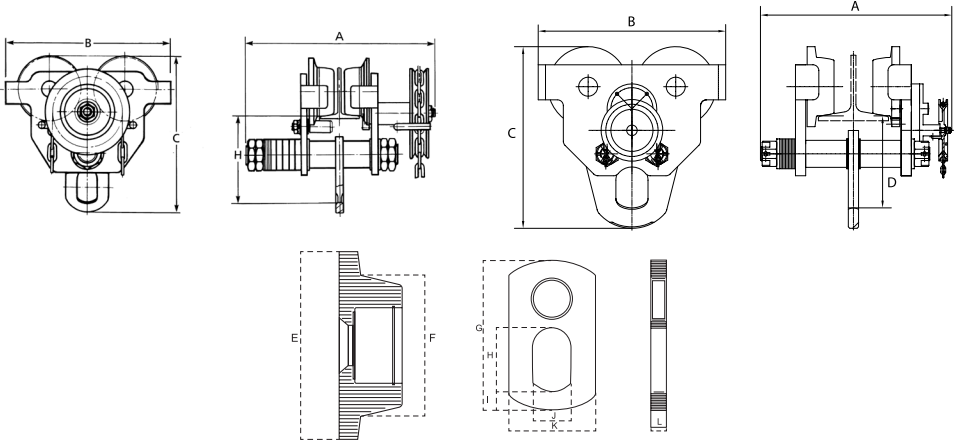
| PRODUCT CODE | OZ05QAT | OZ1QAT | OZ2QAT | OZ3QAT | OZ5QAT | OZ10QAT |
|------------------------------|---------------|----------------|----------------|----------------|-----------------|-----------------|
| Safe Working Load (lbs) | 1,000 (lbs) | 2,000 (lbs) | 4,000 (lbs) | 6,000 (lbs) | 10,000 (lbs) | 20,000 (lbs) |
| Adjustable Flange Width (in) | 3.63-7.12(in) | 2.48-8.27 (in) | 2.99-8.27 (in) | 2.99-8.27 (in) | 3.94-12.01 (in) | 6.89-12.01(in) |
| Max Flange Width (in) | 1.44 (in) | 2 (in) | 2.17 (in) | 1.42 (in) | 3.07 (in) | 2.13 (in) |
| Dimensional Information (in) | A | 11.75 (in) | 13.98 (in) | 14.17 (in) | 14.17 (in) | 18.50 (in) |
| | B | 8.00 (in) | 9.53 (in) | 11.06 (in) | 12.91 (in) | 14.84 (in) |
| | C | .75 (in) | .88 (in) | .88 (in) | .97 (in) | 1.11 (in) |
| | (min-max) D | 5.67-7.12 (in) | 5.75-7.22 (in) | 6.06-7.22 (in) | 6.35-7.97 (in) | 8.81-10.61 (in) |
| Minimum Curve Radius (ft) | 3.28 (ft) | 3.28 (ft) | 3.61 (ft) | 4.26 (ft) | 4.60 (ft) | 5.57 (ft) |
| Net Weight (lbs) | 13 (lbs) | 25 (lbs) | 38 (lbs) | 57 (lbs) | 102 (lbs) | 205 (lbs) |

Technical Information

GEARED BEAM TROLLEY

(1, 2, 3, 5 and 10 tons)

(20 and 30 tons)



Specification

| Product code | OZ1GBT | OZ2GBT | OZ3GBT | OZ5GBT | OZ10GBT | OZ20GBT | OZ30GBT |
|--|-------------|-------------|-------------|-------------|-------------|--------------|--------------|
| Safe working load (lbs) | 2,000 lbs | 4,000 lbs | 6,000 lbs | 10,000 lbs | 20,000 lbs | 40,000 lbs | 60,000 lbs |
| Adjustable flange width (in) | 2.52"-7.99" | 3.46"-7.99" | 3.46"-7.99" | 3.46"-7.99" | 4.88"-7.99" | 5.39"-12.99" | 5.83"-12.99" |
| Product dimensions (in) | A | 14.96" | 15.20" | 16.38" | 17.09" | 15.59" | 26.54" |
| | B | 9.45" | 10.63" | 12.60" | 13.62" | 16.77" | 20.55" |
| | C | 8.41" | 10.28" | 12.48" | 15.08" | 15.75" | 19.65" |
| | D | 4.90" | 6.08" | 7.30" | 9.09" | 8.31" | 9.96" |
| Minimum radius curve (ft) | 3.28' | 4.27' | 4.92' | 5.25' | 8.3' | 11.48' | 14.76' |
| Net weight (lbs) | 28.66 lbs | 41.89 lbs | 61.73 lbs | 90.39 lbs | 182.98 lbs | 405.65 lbs | 650.36 lbs |
| Standard length of hand chain (ft) | 9.00' | 9.00' | 9.00' | 9.00' | 9.00' | 9.00' | 9.00' |
| Wheel dimensions (in) | E | 3.50" | 4.00" | 4.78" | 5.57" | 6.93" | 8.77" |
| | F | 2.48" | 2.68" | 3.62" | 3.86" | 5.20" | 6.69" |
| Bail dimensions (in) | G | 3.86" | 5.31" | 6.50" | 8.11" | 7.56" | 9.65" |
| | H | 1.46" | 2.01" | 2.22" | 3.35" | 4.53" | 4.53" |
| | I | 0.51" | 0.87" | 0.98" | 1.26" | 1.89" | 2.36" |
| | J | 1.02" | 1.50" | 1.77" | 2.13" | 3.43" | 4.19" |
| | K | 1.91" | 2.76" | 3.15" | 4.72" | 11.42" | 14.57" |
| | L | 0.39" | 0.47" | 0.55" | 0.71" | 0.79" | 1.38" |
| Effort to pull (N) | 45 | 80 | 130 | 150 | 520 | 80 | 107 |
| Amount of hand chain to move the trolley one feet (ft) | 1.90' | 1.95' | 1.85' | 2.00' | 7.80' | 47.82' | 31.00' |

Pre-Installation

Check for damage during shipment. Do not install or use a damaged product. Contact your OZ Lifting Products LLC® dealer if there are any problems.
Maintain records of all accompanying product information.

Before initial operation:

NOTE: Read and comply with all instructions and warnings furnished with or attached to the product, if applicable.

Push Beam and Geared Beam Trolley Installation

Measure the width of the beam that the trolley will be mounted on. Ensure that the beam is within the adjustable flange width range of the trolley.

Using the provided washers/spacers, assemble an equal number of washers/spacers on each side of the bail to position the sideplates so that there is an 1/8" gap between the flange of each wheel and the beam. The bail must be centered. The extra washers should be placed equally on the outside of the sideplates.

NOTE: There must always be at least one washer on both sides of each sideplate.

Once the correct number of washers/spacers are in place, loosen the nuts slightly. This will allow the sideplates to be installed over the beam more easily.

With the sideplates installed onto the beam, firmly tighten the nuts on both sides of the trolley. Secure these nuts with the second locknuts. Ensure that both sets of nuts are tight.

NOTE: On the **Geared Beam Trolley**, there may be an anti-tilt pin located on the sideplate opposite the handwheel. This pin should be adjusted so that the wheel (pin side) on the sideplate cannot lift off the beam. Some clearance should be allowed so that the trolley moves smoothly, typically about a 1/8" gap.

Quick Adjust Trolley Installation

Measure the width of the beam that the trolley will be mounted on. Ensure that the beam is within the adjustable flange width range of the trolley.

Spin the handle on the threaded adjustment rod of the trolley so that the sideplates move farther apart. This allows the wheels to be installed onto the beam.

Spin the handle on the threaded adjustment rod of the trolley so that the sideplates move closer together. This mounts the wheels securely on the beam. Maintain a 1/8" gap between the flange of each wheel and the beam.

On the threaded adjustment rod of the trolley, there is a second locking handle. Once the trolley is adjusted, tighten this locking handle to lock the adjustment rod into place.

Operation

Warnings & Precautions

Trolley operators should read and fully comprehend this entire manual and all warnings on the trolleys before beginning operation. If this manual is not read and followed completely, injuries may occur.

Operator Requirements:

- Be trained in proper trolley operation and in dealing with potential malfunctions.
- Abstain from use of alcohol, medications, or drugs while operating.
- Avoid operation while tired or distracted.
- Avoid operation if they have a history of seizures or other medical issues that may interfere with operation.
- Have proper coordination and vision.

NOTE: Prior to operation, ensure trolley is in proper working condition and maintenance records are up to date.

Operation

Be aware of trolley load capacity and don't overload.
Attach load to suspension plate directly under the trolley.

Maintenance

Inspection

Operators should visually inspect the trolleys on a regular basis. Observe for wear, damage, cuts, cracks, or corrosion. If any problems are observed, the trolleys should be placed out of service until they can be repaired. Use only OZ Lifting Products LLC® for replacement parts.

Complete a monthly inspection of the suspension plate, track wheel, and locking nuts. Ensure that locking nuts are secure.

Trolleys should be taken to an authorized repair center for professional inspection once a year.

FR

GUIDE DE L'OPÉRATEUR

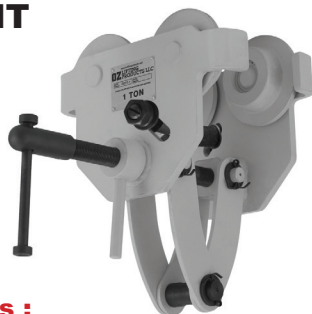
**CHARIOT DE POUTRE
À POUSSER
0,5 TONNE À
10 TONNES**



**CHARIOT DE POUTRE
À ENGRENAGES
1 TONNE À
30 TONNES**



**CHARIOT À AJUSTEMENT
RAPIDE
1 TONNE À
10 TONNES**



**Ces produits répondent ou
dépassent les normes suivantes :**

CE | AS1418.2 | ANSI B30.10
(pour les palans manuels ou motorisés)



P.O. Box 845, Winona, MN 55987
Téléphone +1 (800) 749-1064
+1 (507) 474-6250
Soutien technique +1 (507) 457-3346
Télécopieur +1 (507) 452-5217
sales@ozliftingproducts.com
www.ozliftingproducts.com

Table des matières

| | |
|------|---|
| p. 2 | Caractéristiques des produits |
| p. 3 | Garantie |
| p. 4 | Renseignements importants et mesures de sécurité/avertissements |
| p. 5 | Renseignements techniques |
| p. 6 | Renseignements techniques |
| p. 7 | Installation |
| p. 8 | Fonctionnement/Entretien |



Consulter nos vidéos d'utilisation sur
www.ozliftingproducts.com

Caractéristiques des produits



**CHARIOT DE POUTRE
À POUSSER**



**CHARIOT DE POUTRE
À ENGRENAGES**



**CHARIOT À
AJUSTEMENT
RAPIDE**

- Construction légère et robuste
- Convient pour la plupart des poutres en I, S et W
- Protection à la peinture en émail cuit durable
- Roues de chariot à roulement à billes de précision
- Plaque contre les chutes
- Étiquette d'identité en acier inoxydable
- Certificat d'essai et numéro de série individuels
- Blocage à poignée de sécurité (chariot de poutre avec pince)
- Les engrenages offrent un positionnement positif de la charge le long de la poutre (chariot de poutre à engrenages)

Garantie

OZ Lifting Products LLC® garantit ces produits contre les défauts de fabrication et de conception pendant cinq ans à compter de la date d'expédition.

Cette garantie ne s'applique pas aux produits indiquant qu'il y a eu abus, surcharge, altération, mauvais entretien ou négligence. L'usure normale des pièces en mouvement est exclue de la garantie. Exemples de pièces en mouvement : disques de frein, câbles métalliques et autres composants qui s'usent. Cette garantie ne couvre pas les coûts liés au retrait de ces produits, au temps perdu ou autres dommages/coûts accessoires ou consécutifs liés aux déficiences contre lesquelles il y a réclamation.

Si ces produits tombent en panne dans les cinq premières années pour cause de fabrication ou de conception, ils seront réparés ou remplacés à la discrétion de OZ Lifting Products LLC®. Tout produit sous garantie pour lequel il y a réclamation doit être retourné prépayé à un dépôt de garantie OZ Lifting Products LLC® avec preuve d'achat. Une fois réparé, le produit sera retourné au client sans frais. S'il devait s'avérer qu'il n'y avait aucune déficiences, les frais d'expédition de retour seront imputés au client. La garantie du produit continuera pour le reste de la période originale (cinq ans à compter de la date d'expédition).

OZ Lifting Products LLC® n'est pas responsable de ce qui suit relatif à l'utilisation de ce produit : blessures ou dommages matériels, morts, dommages accessoires, consécutifs ou indirects, que ce soit par négligence ou à dessein. Il incombe exclusivement au propriétaire d'installer et de faire fonctionner le produit convenablement et sécuritairement.

Il s'agit de la seule garantie écrite de OZ Lifting Products LLC®. Cette garantie est en lieu et place de toute autre garantie qu'implique la loi, p. ex. qualité marchande ou aptitude. La vente de produits OZ Lifting Products LLC® en vertu de toute autre garantie expresse ou impliquée n'est pas autorisée.

REMARQUE : OZ Lifting Products LLC® a le droit de modifier la conception ou de discontinuer la production de tout produit sans préavis.

Pour en savoir plus, contacter :



P.O. Box 845, Winona, MN 55987
Téléphone +1 (800) 749-1064
+1 (507) 474-6250
Soutien technique +1 (507) 457-3346
Télécopieur +1 (507) 452-5217
sales@ozliftingproducts.com
www.ozliftingproducts.com

Renseignements importants et mesures de sécurité

Les renseignements contenus dans ce manuel doivent être utilisés pour **le chariot de poutre à pousser, le chariot de poutre à engrenages et le chariot de poutre avec pince** seulement. Ce manuel contient des instructions générales sur l'installation, le fonctionnement et l'entretien normaux des produits décrits aux présentes. Vous ne devez pas prendre pour acquis que les renseignements fournis préparent l'utilisateur pour toute circonstance possible.

Ces produits ne doivent pas être installés, opérés ou entretenus par quiconque n'ayant pas lu ces instructions au complet. Si vous ne lisez pas ces instructions, avertissements ou limitations ou que vous ne vous y conformez pas, il pourrait y avoir blessures, morts ou dommages matériels. Contacter le distributeur pour en savoir plus si vous ne comprenez pas toutes les instructions.

Il incombe au propriétaire/à l'utilisateur d'installer, de mettre à l'essai, d'entretenir et de faire fonctionner ces produits conformément aux règlements de l'OSHA et aux autres règlements fédéraux, d'État, provinciaux et locaux, ainsi qu'aux normes ANSI.

Seules des personnes formées et qualifiées doivent faire fonctionner et entretenir cet équipement.

Conservation de dossiers

Prévoir des inspections et des entretiens réguliers de ces produits et en conserver des dossiers. Indiquer le numéro de série et la date d'achat de vos chariots sur la couverture avant de ce manuel aux fins de commodité.

Mesures de sécurité

Ne pas utiliser ces chariots avec d'autres équipements à moins que le concepteur du système, le fabricant, l'installateur ou l'utilisateur ait appliqué les dispositifs de sécurité nécessaires. Les modifications visant à mettre à niveau ou à changer ces produits doivent être autorisées par le fabricant original.

Ces chariots doivent être utilisés pour les charges conformes à leur capacité de charge seulement.

Normes : CE, AS1418.2, ANSI B30.10 (pour les palans manuels ou motorisés)

Avertissements

Si vous ne lisez pas les avertissements suivants et que vous ne vous y conformez pas, il peut y avoir des situations dangereuses qui pourraient causer la mort, des blessures graves ou des dommages matériels.

S'assurer de bien installer, faire fonctionner et entretenir les chariots pour qu'ils ne se délogent pas.

Ne pas lever plus que la capacité de charge.

Ne pas lever de personnes ou de charges au-dessus de personnes.

Ne pas faire fonctionner pour les chargements décentrés ou latéraux.

Ne pas faire fonctionner un produit endommagé ou qui ne fonctionne pas correctement.

Ne pas enlever, dégrader ou couvrir les étiquettes d'avertissement.

Ne pas laisser une charge suspendue sans surveillance à moins que des mesures de sécurité spécifiques ait été appliquées.

Ne pas faire fonctionner avant d'avoir averti le personnel et qu'il ait eu le temps de céder la place.

Ne pas faire fonctionner si les contre-écrous ne sont pas serrés et bloqués en position.

Ne pas faire fonctionner si les rondelles d'espacement ne sont pas bien espacées.

Ne pas faire fonctionner si les butées de fin de course sont défectueuses et ne retiennent pas le chariot.

Ne pas utiliser si la charge n'est pas suspendue à la verticale.

Ne pas utiliser les chariots comme mise à la terre de soudage.

Ne pas souder sur la charge suspendue.

Ne pas utiliser les chariots dans des milieux corrosifs.

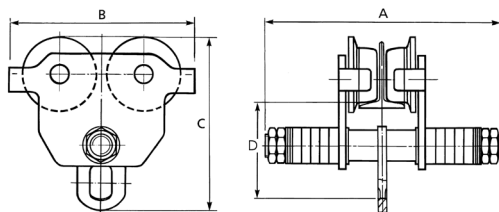
Ne pas laisser la charge se balancer.

Ne pas utiliser pour aucune autre fonction que celles pour lesquelles le produit a été conçu.



Renseignements techniques

CHARIOT DE POUTRE À POUSSER (0,5, 1, 2, 3, 5 et 10 tonnes)



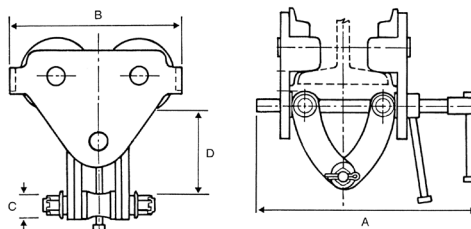
Les dimensions des anses et des roues se trouvent sur www.ozliftingproducts.com

Spécifications

| CODE DE PRODUIT | OZ05PBT | OZ1PBT | OZ2PBT | OZ3PBT | OZ5PBT | OZ10PBT | |
|-------------------------------------|--------------|--------------|------------|------------|------------|---------------|----------|
| Capacité de charge sécuritaire (lb) | 1 000 lb | 2 000 lb | 4 000 lb | 6 000 lb | 10 000 lb | 20 000 lb | |
| Largeur de joue ajustable (po) | 2,52-8,00 po | 2,52-8,00 po | 3,46-12 po | 4,00-12 po | 4,49-12 po | 4,95-12,00 po | |
| Largeur de joue max. (po) | 1,14 po | 1,50 po | 1,61 po | 1,81 po | 2,28 po | 1,97 po | |
| Dimensions des produits | A | 12,25 po | 12,75 po | 17,5 po | 17,31 po | 18,87 po | 17,56 po |
| | B | 8,50 po | 9,45 po | 11,81 po | 13,58 po | 15,55 po | 16,75 po |
| | C | 7,67 po | 8,41 po | 11,26 po | 13,23 po | 15,47 po | 16,00 po |
| | D | 4,33 po | 4,90 po | 6,34 po | 7,28 po | 8,66 po | 7,5 po |
| Rayon de la courbe minimum (pi) | 2,95 pi | 3,28 pi | 3,60 pi | 4,26 pi | 4,59 pi | 5,57 pi | |
| Poids net (lb) | 20 lb | 22 lb | 50 lb | 82 lb | 123 lb | 198 lb | |

Renseignements techniques

CHARIOT À AJUSTEMENT RAPIDE (0,5, 1, 2, 3, 5 et 10 tonnes)



Les dimensions des anses et des roues se trouvent sur www.ozliftingproducts.com

Spécifications

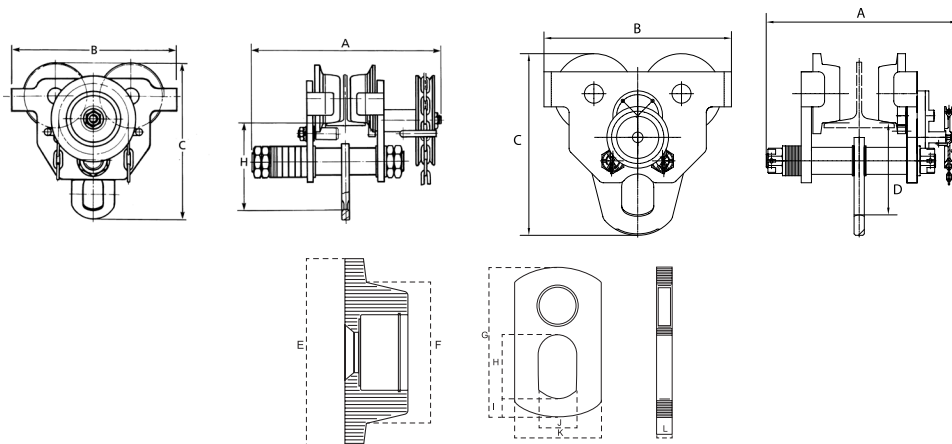
| CODE DE PRODUIT | OZ05QAT | OZ1QAT | OZ2QAT | OZ3QAT | OZ5QAT | OZ10QAT | |
|-------------------------------------|--------------|--------------|--------------|--------------|---------------|---------------|---------------|
| Capacité de charge sécuritaire (lb) | 1 000 lb | 2 000 lb | 4 000 lb | 6 000 lb | 10 000 lb | 20 000 lb | |
| Largeur de joue ajustable (po) | 3,63-7,12 po | 2,48-8,27 po | 2,99-8,27 po | 2,99-8,27 po | 3,94-12,01 po | 6,89-12,01 po | |
| Largeur de joue max. (po) | 1,44 po | 2 po | 2,17 po | 1,42 po | 3,07 po | 2,13 po | |
| Dimensions (po) | A | 11,75 po | 13,98 po | 14,17 po | 14,17 po | 18,50 po | 18,90 po |
| | B | 8,00 po | 9,53 po | 11,06 po | 12,91 po | 14,84 po | 17,91 po |
| | C | 0,75 po | 0,88 po | 0,88 po | 0,97 po | 1,11 po | 1,65 po |
| | (min-max) D | 5,87-7,12 po | 5,75-7,22 po | 6,06-7,22 po | 6,35-7,97 po | 8,81-10,61 po | 9,00-10,51 po |
| Rayon de la courbe minimum (pi) | 3,28 pi | 3,28 pi | 3,61 pi | 4,26 pi | 4,60 pi | 5,57 pi | |
| Poids net (lb) | 13 lb | 25 lb | 38 lb | 57 lb | 102 lb | 205 lb | |

Renseignements techniques

CHARIOT DE POUTRE À ENGRENAGES

(1, 2, 3, 5 et 10 tonnes)

(20 et 30 tonnes)



Spécifications

| Code de produit | OZ1GBT | OZ2GBT | OZ3GBT | OZ5GBT | OZ10GBT | OZ20GBT | OZ30GBT |
|--|-----------------|-----------------|-----------------|-----------------|-----------------|------------------|------------------|
| Capacité de charge sécuritaire (lb) | 2 000 lb | 4 000 lb | 6 000 lb | 10 000 lb | 20 000 lb | 40 000 lb | 60 000 lb |
| Largeur de la joue ajustable (po) | 2,52 po-7,99 po | 3,46 po-7,99 po | 3,46 po-7,99 po | 3,46 po-7,99 po | 4,88 po-7,99 po | 5,39 po-12,99 po | 5,83 po-12,99 po |
| Dimensions du produit (po) | A | 14,96 po | 15,20 po | 16,38 po | 17,09 po | 15,59 po | 27,56 po |
| | B | 9,45 po | 10,63 po | 12,60 po | 13,62 po | 16,77 po | 23,31 po |
| | C | 8,41 po | 10,28 po | 12,48 po | 15,08 po | 15,75 po | 24,33 po |
| | D | 4,90 po | 6,08 po | 7,30 po | 9,09 po | 8,31 po | 9,96 po |
| Rayon de la courbe minimum (pi) | 3,28 pi | 4,27 pi | 4,92 pi | 5,25 pi | 8,30 pi | 11,48 pi | 14,76 pi |
| Poids net (lb) | 28,66 lb | 41,89 lb | 61,73 lb | 90,39 lb | 182,98 lb | 405,65 lb | 650,36 lb |
| Longueur standard de la chaîne de manœuvre (pi) | 9,00 pi | 9,00 pi | 9,00 pi | 9,00 pi | 9,00 pi | 9,00 pi | 9,00 pi |
| Dimensions des roues (po) | E | 3,50 po | 4,00 po | 4,78 po | 5,57 po | 6,93 po | 10,08 po |
| | F | 2,48 po | 2,68 po | 3,62 po | 3,86 po | 5,20 po | 7,83 po |
| Dimensions des anses (po) | G | 3,86 po | 5,31 po | 6,50 po | 8,11 po | 7,56 po | 12,99 po |
| | H | 1,46 po | 2,01 po | 2,22 po | 3,35 po | 4,53 po | 4,53 po |
| | I | 0,51 po | 0,87 po | 0,98 po | 1,26 po | 1,89 po | 2,36 po |
| | J | 1,02 po | 1,50 po | 1,77 po | 2,13 po | 3,43 po | 4,19 po |
| | K | 1,91 po | 2,76 po | 3,15 po | 4,72 po | 11,42 po | 14,57 po |
| | L | 0,39 po | 0,47 po | 0,55 po | 0,71 po | 0,79 po | 1,38 po |
| | M | 0,39 po | 0,47 po | 0,55 po | 0,71 po | 0,79 po | 1,38 po |
| Effort de traction (N) | 45 | 80 | 130 | 150 | 520 | 80 | 107 |
| Chaîne de manœuvre requise pour déplacer le chariot d'un pied (pi) | 1,90 pi | 1,95 pi | 1,85 pi | 2,00 pi | 7,80 pi | 4,782 pi | 31,00 pi |

Pré-installation

Vérifier s'il y a eu des dommages en cours d'expédition. Ne pas installer ou ne pas utiliser un produit endommagé. Communiquer avec votre concessionnaire de OZ Lifting Products LLC® pour tout problème ou toute question. Conserver des dossiers de tous les renseignements afférents.

Avant d'utiliser le produit pour la première fois :

REMARQUE : Lire et respecter tous les instructions et avertissements que contient le produit ou qui y sont joints, le cas échéant.

Installation du chariot à pousser et du chariot de poutre à engrenages

Mesurer la largeur de la poutre sur laquelle le chariot sera monté. S'assurer que la poutre se trouve dans la plage de largeur de la joue ajustable du chariot.

Avec les rondelles/rondelles d'espacement fournies, assembler un nombre égal de rondelles/rondelles d'espacement de chaque côté de l'anse pour positionner les plaques latérales de sorte qu'il y ait un espace de 1/8 po entre la joue de chaque roue et la poutre. L'anse doit être centrée. Les rondelles supplémentaires doivent être espacées également sur la surface extérieure des plaques latérales.

REMARQUE : Il doit toujours y avoir au moins une rondelle de chaque côté de chaque plaque latérale.

Une fois le bon nombre de rondelles/rondelles d'espacement en place, desserrer les écrous légèrement. Ainsi, les plaques latérales pourront être installées plus facilement sur la poutre.

Une fois les plaques latérales installées sur la poutre, bien serrer les écrous de chaque côté du chariot. Serrer ces écrous avec les deuxièmes écrous fermeture. S'assurer que les deux ensembles d'écrous sont serrés.

REMARQUE : Sur le **chariot de poutre à engrenages**, il peut y avoir une attache anti-basculement sur la plaque latérale contre la roue de manœuvre. Cette attache doit être ajustée de sorte que la roue (côté attache) sur la plaque latérale ne puisse être soulevée de la poutre. Il doit y avoir un certain dégagement, en règle générale, d'environ 1/8 po, pour que le chariot puisse se déplacer fluidement.

Installation du chariot à ajustement rapide

Mesurer la largeur de la poutre sur laquelle le chariot sera monté. S'assurer que la poutre se trouve dans la plage de largeur de la joue ajustable du chariot.

Faire tourner la poignée sur la tige d'ajustement fileté du chariot de sorte que les plaques latérales s'éloignent l'une de l'autre. Cela permet d'installer les roues sur la poutre.

Faire tourner la poignée sur la tige d'ajustement fileté du chariot de sorte que les plaques latérales se rapprochent l'une de l'autre. Cela permet de monter solidement les roues sur la poutre. Conserver un écart de 1/8 po entre la joue de chaque roue et la poutre.

Sur la tige d'ajustement fileté du chariot, il y a une deuxième poignée-serrure. Une fois le chariot ajusté, serrer cette poignée-serrure pour verrouiller la tige d'ajustement en place.

Fonctionnement

Avertissements et mesures de sécurité

Les opérateurs de chariot doivent lire au complet et comprendre ce manuel en entier, ainsi que tous les avertissements sur le chariot, avant de le faire fonctionner. Si on ne lit pas ce manuel et qu'on ne s'y conforme pas, cela peut entraîner des blessures.

Exigences relatives à l'opérateur :

- Être formés quant au bon fonctionnement du chariot et à la prise en charge des défaillances potentielles.
- Ne pas utiliser d'alcool, de médicaments ou de drogues pendant le fonctionnement de la grue.
- Éviter le fonctionnement en cas de fatigue ou de distraction.
- Éviter le fonctionnement si l'opérateur a un historique de crises ou autres troubles médicaux qui risquent de nuire au fonctionnement du chariot.
- Avoir une bonne vision et une bonne coordination.

REMARQUE : Avant de le faire fonctionner le chariot, s'assurer qu'il est en bon état et que les dossiers d'entretien sont à jour.

Fonctionnement

Connaître la capacité de charge du chariot et ne pas la dépasser.
Attacher la charge à la plaque de suspension directement sous le chariot.

Entretien

Inspection

Les opérateurs doivent inspecter visuellement les chariots régulièrement. Noter s'il y a usure, dommages, coupures, fissures ou corrosion. Si vous remarquez des problèmes, mettre les chariots hors service jusqu'à ce qu'ils soient réparés. Utiliser seulement des pièces de rechange provenant de OZ Lifting Products LLC®.

Effectuer une inspection mensuelle de la plaque de suspension, de la roue du rail et des contre-écrous. S'assurer que les contre-écrous sont bien fixés.

Apporter les chariots à un centre de réparation autorisé pour une inspection professionnelle tous les ans.

ES

MANUAL DEL OPERADOR

**TROLE DE VIGA
DE EMPUJE DE
0.5 HASTA
10 TONELADAS**



**TROLE DE VIGA
ENGRANADO
DE 1 HASTA 30
TONELADAS**



**TROLE DE AJUSTE
RÁPIDO DE
1 HASTA 10 TONELADAS**



**Estos productos cumplen o
exceden los siguientes estándares:**

CE | AS1418.2 | ANSI B30.10
(Para usar con polipastos manuales o eléctricos)



P.O. Box 845, Winona, MN 55987
Teléfono (800) 749-1064
(507) 474-6250
Apoyo técnico (507) 457-3346
Fax (507) 452-5217
sales@ozliftingproducts.com
www.ozliftingproducts.com

Tabla de contenido

Pág.2 **Características del producto**
Pág.3 **Garantía**
Pág.4 **Información importante y precauciones / advertencias**
Pág.5 **Información técnica**
Pág.6 **Información técnica**
Pág.7 **Instalación**
Pág.8 **Operación / Mantenimiento**



Mira nuestro videos en
www.ozliftingproducts.com

Características del producto



TROLE DE VIGA DE EMPUJE



TROLE DE VIGA ENGRANADO



TROLE DE AJUSTE RÁPIDO

- Construcción ligera y robusta.
- Se adapta a la mayoría de las vigas I, S y W
- Protección duradera con capa pulverizada
- Ruedas de precisión con rodamiento de bolas
- Placa anticaída
- Etiqueta de identificación de acero inoxidable
- Certificado de prueba individual y número de serie
- Bloqueo de la manija de seguridad (Trole de ajuste rápido)
- El engranaje proporciona un posicionamiento de carga positiva a lo largo de la viga (Trole de viga engranado)

Garantía de cinco años

OZ Lifting Products LLC® garantiza que estos productos estarán libres de defectos en materiales y mano de obra durante cinco años a partir de la fecha de envío.

Esta garantía no se aplica a productos que muestran signos de mal uso, sobrecarga, alteración, mantenimiento incorrecto o negligencia. El desgaste normal de las piezas móviles está excluido de la garantía. Las partes móviles se definen como discos de freno, cable metálico y otros componentes de desgaste sujetos a condiciones de uso. Esta garantía no cubre ningún costo relacionado con la eliminación de estos productos, el tiempo perdido o cualquier otro daño / costo incidental o consecuente que resulte de los defectos reclamados.

Si estos productos fallan durante los primeros cinco años de funcionamiento debido a materiales o mano de obra defectuosos, serán reparados o reemplazados a discreción de OZ Lifting Products LLC®. Cualquier producto sujeto a un reclamo de garantía debe devolverse, prepago, a un distribuidor autorizado de OZ Lifting Products LLC® junto con el comprobante de compra. Tras la reparación, el producto será devuelto al cliente de forma gratuita. Si no se encuentra ningún defecto, el cliente será responsable de los costos de envío de devolución. La garantía del producto será efectiva por el resto del período de garantía original (cinco años a partir de la fecha de envío).

OZ Lifting Products LLC® no se hace responsable de lo siguiente que surja del uso de este producto: lesiones a personas o bienes, muerte, daños incidentales, consecuentes o contingentes, ya sean negligentes o deliberados. Es responsabilidad exclusiva del propietario instalar y operar el producto de manera adecuada y segura.

Esta es la única garantía escrita de OZ Lifting Products LLC®. Esta garantía reemplaza a todas las demás garantías implícitas por ley, como la comerciabilidad y la aptitud. La venta de productos de OZ Lifting Products LLC® bajo cualquier otra garantía, expresa o implícita, no está autorizada.

NOTA: OZ Lifting Products LLC® tiene el derecho de alterar el diseño o suspender la producción de cualquier producto sin previo aviso.

Para obtener más información, póngase en contacto:



P.O. Box 845, Winona, MN 55987

Teléfono (800) 749-1064

(507) 474-6250

Apoyo técnico (507) 457-3346

Fax (507) 452-5217

sales@ozliftingproducts.com

www.ozliftingproducts.com

Información importante y precauciones

La información en este manual debe usarse solo para el **Trole de viga de empuje**, **Trole de viga engranado**, y el **Trole de ajuste rápido**. Este manual contiene instrucciones generales que tratan sobre la instalación, operación y mantenimiento normales de los productos descritos aquí. No debe esperarse que la información proporcionada prepare al usuario para todas las circunstancias posibles.

Estos productos no deben ser instalados, operados o mantenidos por ninguna persona que no haya leído todo el contenido de estas instrucciones. No leer y cumplir con estas instrucciones, advertencias o limitaciones señaladas puede provocar lesiones corporales, la muerte o daños a la propiedad. Póngase en contacto con el distribuidor para obtener más explicaciones si la información no se comprende completamente. Es responsabilidad del propietario / usuario instalar, probar, mantener y operar estos productos de acuerdo con OSHA, las regulaciones, otras regulaciones federales, estatales y locales, y las normas ANSI. Solo personal capacitado y calificado deberá operar y mantener este equipo.

Mantener registros

Programar y mantener registros de inspección y mantenimiento regular de estos productos. Registre el número de serie y la fecha de compra de sus troles en la portada de este manual para permitir una referencia más fácil.

Precauciones

No utilice estos troles junto con otros equipos a menos que el diseñador, fabricante, instalador o usuario del sistema haya instalado los dispositivos de seguridad necesarios. Las modificaciones para actualizar o alterar estos productos solo deben ser autorizadas por el fabricante original.

Estos troles deben usarse para sostener cargas solo dentro de sus capacidades de carga.

Estándares: CE, AS1418.2, ANSI B30.10 (Para usar con polipastos manuales o eléctricos)

Advertencias

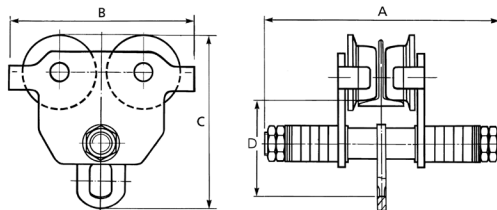
No leer y cumplir con las siguientes advertencias puede provocar una situación peligrosa que podría provocar la muerte, lesiones graves o daños a la propiedad. Asegúrese de instalar, operar y mantener adecuadamente los troles para que no se salgan de la viga.

- No** levante más de la carga nominal.
- No** levante personas ni levante cargas sobre las personas.
- No** opere con carga lateral o descentrada.
- No** opere un producto dañado o que funcione mal.
- No** quite, desfigure ni cubra las etiquetas de advertencia.
- No** deje una carga suspendida desatendida, a menos que se tomen precauciones específicas.
- No** opere hasta que el personal esté advertido y despejado del área.
- No** opere si las tuercas de seguridad no están apretadas y aseguradas en su posición.
- No** opere si las arandelas de espacio no están espaciadas correctamente.
- No** opere si los topes finales están defectuosos y no restringen el trole.
- No** lo use si la carga no está suspendida verticalmente.
- No** utilice troles como tierra de soldadura.
- No** suelde sobre la carga levantada.
- No** use troles en ambientes corrosivos.
- No** permita que la carga se balancee.
- No** lo use para ninguna otra función que no sea para la que está diseñado el producto



Información técnica

TROLE DE VIGA DE EMPUJE (0.5, 1, 2, 3, 5 y 10 toneladas)



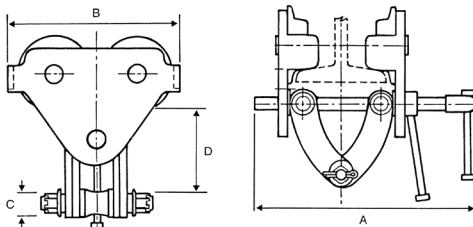
Dimensiones de suspensores y rueda disponibles en www.ozliftingproducts.com

Especificación

| CÓDIGO DE PRODUCTO | OZ05PBT | OZ1PBT | OZ2PBT | OZ3PBT | OZ5PBT | OZ10PBT |
|-------------------------------|----------------|----------------|--------------|--------------|--------------|-----------------|
| Carga de trabajo segura (lbs) | 1,000 (lbs) | 2,000 (lbs) | 4,000 (lbs) | 6,000 (lbs) | 10,000 (lbs) | 20,000 (lbs) |
| Ancho de brida ajustable (in) | 2.52-8.00 (in) | 2.52-8.00 (in) | 3.46-12 (in) | 4.00-12 (in) | 4.49-12 (in) | 4.95-12.00 (in) |
| Ancho máximo de brida (in) | 1.14 (in) | 1.50 (in) | 1.61 (in) | 1.81 (in) | 2.28 (in) | 1.97 (in) |
| Dimensiones del producto | A | 12.25 (in) | 12.75 (in) | 17.5 (in) | 17.31 (in) | 18.87 (in) |
| | B | 8.50 (in) | 9.45 (in) | 11.81 (in) | 13.58 (in) | 15.55 (in) |
| | C | 7.67 (in) | 8.41 (in) | 11.26 (in) | 13.23 (in) | 15.47 (in) |
| | D | 4.33 (in) | 4.90 (in) | 6.34 (in) | 7.28 (in) | 8.66 (in) |
| Curva de radio mínima (ft) | 2.95 (ft) | 3.28 (ft) | 3.60 (ft) | 4.26 (ft) | 4.59 (ft) | 5.57 (ft) |
| Peso neto (lbs) | 20 (lbs) | 22 (lbs) | 50 (lbs) | 82 (lbs) | 123 (lbs) | 198 (lbs) |

Información técnica

TROLE DE AJUSTE RÁPIDO (.5, 1, 2, 3, 5 y 10 toneladas)



Dimensiones de suspensores y rueda disponibles en www.ozliftingproducts.com

Especificación

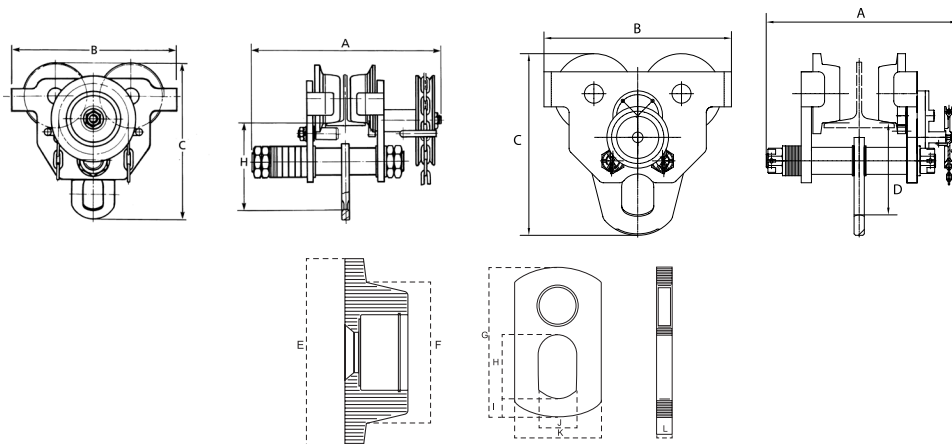
| CÓDIGO DE PRODUCTO | OZ05QAT | OZ1QAT | OZ2QAT | OZ3QAT | OZ5QAT | OZ10QAT |
|-------------------------------|----------------|----------------|----------------|----------------|-----------------|-----------------|
| Carga de trabajo segura (lbs) | 1,000 (lbs) | 2,000 (lbs) | 4,000 (lbs) | 6,000 (lbs) | 10,000 (lbs) | 20,000 (lbs) |
| Ancho de brida ajustable (in) | 3.63-7.12 (in) | 2.48-8.27 (in) | 2.99-8.27 (in) | 2.99-8.27 (in) | 3.94-12.01 (in) | 6.89-12.01 (in) |
| Ancho máximo de brida (in) | 1.44 (in) | 2 (in) | 2.17 (in) | 1.42 (in) | 3.07 (in) | 2.13 (in) |
| Dimensiones del producto (in) | A | 11.75 (in) | 13.98 (in) | 14.17 (in) | 14.17 (in) | 18.50 (in) |
| | B | 8.00 (in) | 9.53 (in) | 11.06 (in) | 12.91 (in) | 14.84 (in) |
| | C | .75 (in) | .88 (in) | .88 (in) | .97 (in) | 1.11 (in) |
| | D (min-max) | 5.87-7.12 (in) | 5.75-7.22 (in) | 6.06-7.22 (in) | 6.35-7.97 (in) | 8.81-10.61 (in) |
| Curva de radio mínimo (ft) | 3.28 (ft) | 3.28 (ft) | 3.61 (ft) | 4.26 (ft) | 4.60 (ft) | 5.57 (ft) |
| Peso neto (lbs) | 13 (lbs) | 25 (lbs) | 38 (lbs) | 57 (lbs) | 102 (lbs) | 205 (lbs) |

Información técnica

TROLE DE VIGA ENGRANADO

(1, 2, 3, 5 y 10 toneladas)

(20 y 30 toneladas)



Especificación

| Product code | OZ1GBT | OZ2GBT | OZ3GBT | OZ5GBT | OZ10GBT | OZ20GBT | OZ30GBT |
|---|-------------|-------------|-------------|-------------|-------------|--------------|--------------|
| Carga de trabajo segura (lbs) | 2,000 lbs | 4,000 lbs | 6,000 lbs | 10,000 lbs | 20,000 lbs | 40,000 lbs | 60,000 lbs |
| Ancho de brida ajustable (in) | 2.52"-7.99" | 3.46"-7.99" | 3.46"-7.99" | 3.46"-7.99" | 4.88"-7.99" | 5.39"-12.99" | 5.83"-12.99" |
| Producto dimensiones (in) | A | 14.96" | 15.20" | 16.38" | 17.09" | 15.59" | 26.54" |
| | B | 9.45" | 10.63" | 12.60" | 13.62" | 16.77" | 20.55" |
| | C | 8.41" | 10.28" | 12.48" | 15.08" | 15.75" | 19.65" |
| | D | 4.90" | 6.08" | 7.30" | 9.09" | 8.31" | 9.96" |
| Curva de radio mínimo (ft) | 3.28' | 4.27' | 4.92' | 5.25' | 8.3' | 11.48' | 14.76' |
| Peso neto (lbs) | 28.66 lbs | 41.89 lbs | 61.73 lbs | 90.39 lbs | 182.98 lbs | 405.65 lbs | 650.36 lbs |
| Longitud estándar de cadena (ft) | 9.00' | 9.00' | 9.00' | 9.00' | 9.00' | 9.00' | 9.00' |
| Dimensiones de la rueda (in) | E | 3.50" | 4.00" | 4.78" | 5.57" | 6.93" | 8.77" |
| | F | 2.48" | 2.68" | 3.62" | 3.86" | 5.20" | 6.69" |
| Dimensiones del suspensor (in) | G | 3.86" | 5.31" | 6.50" | 8.11" | 7.56" | 9.65" |
| | H | 1.46" | 2.01" | 2.22" | 3.35" | 4.53" | 4.53" |
| | I | 0.51" | 0.87" | 0.98" | 1.26" | 1.89" | 2.36" |
| | J | 1.02" | 1.50" | 1.77" | 2.13" | 3.43" | 4.19" |
| | K | 1.91" | 2.76" | 3.15" | 4.72" | 11.42" | 14.57" |
| | L | 0.39" | 0.47" | 0.55" | 0.71" | 0.79" | 1.38" |
| Esfuerzo para halar (N) | 45 | 80 | 130 | 150 | 520 | 80 | 107 |
| Cantidad de cadena para mover el trole de un pie (ft) | 1.90' | 1.95' | 1.85' | 2.00' | 7.80' | 4.782' | 31.00' |

Preinstalación

Chequee por daños ocurridos durante el envío. No instale ni use un producto dañado. Asegúrese de mantener registros de la información del producto y comuníquese con su distribuidor OZ Lifting Products LLC® por cualquier problema que surja.

Antes de la operación inicial:

Lea y cumpla con todas las instrucciones y advertencias suministradas o adjuntas al producto, según corresponda.

Instalación de Trole de viga de empuje y Trole de viga engranado

Mida el ancho de la viga en la que se montará el trole. Asegúrese de que la viga esté dentro del rango de ancho de brida ajustable del trole.

Usando las arandelas / espaciadores provistos, ensamble un número igual de arandelas / espaciadores en cada lado del suspensor para colocar las placas laterales de modo que haya un espacio de 1/8 "entre la brida de cada rueda y la viga. El suspensor debe estar centrado. Las arandelas adicionales se deben colocar por igual en el exterior de las placas laterales.

NOTA: Siempre debe haber al menos una arandela en ambos lados de cada placa lateral.

Una vez que haya colocado el número correcto de arandelas / espaciadores, afloje las tuercas ligeramente. Esto permitirá que las placas laterales se instalen sobre la viga más fácilmente.

Con las placas laterales instaladas en la viga, apriete firmemente las tuercas a ambos lados del trole. Asegure estas tuercas con las segundas tuercas de seguridad. Asegúrese de que ambos juegos de tuercas estén apretados.

NOTA: En el **Trole de viga engranado**, puede haber un pasador antivuelco ubicado en la placa lateral opuesta al volante. Este pasador debe ajustarse de manera que la rueda (lado del pasador) en la placa lateral no pueda levantar la viga. Debe dejarse algo de espacio libre para que el trole se mueva suavemente, por lo general, aproximadamente un espacio de 1/8 ".

Trole de ajuste rápido

Mida el ancho de la viga en la que se montará el trole. Asegúrese de que la viga esté dentro del rango de ancho de brida ajustable del trole.

Gire la manija en la varilla de ajuste roscada del trole para que las placas laterales se separen más. Esto permite que las ruedas se instalen en la viga.

Gire el asa en la varilla de ajuste roscada del trole para que las placas laterales se acerquen más. Esto monta las ruedas de forma segura en la viga. Mantenga un espacio de 1/8 "entre la brida de cada rueda y la viga.

En la varilla de ajuste roscada del trole, hay una segunda manija de bloqueo. Una vez que se ajusta el trole, apriete esta manija de bloqueo para bloquear la varilla de ajuste en su lugar.

Operación

Advertencias y precauciones

Los operadores de troles deben leer y comprender completamente este manual completo y todas las advertencias en los troles antes de comenzar la operación. Si este manual no se lee y se sigue por completo, pueden producirse lesiones.

Requisitos del operador:

- Capacitarse en la operación adecuada del trole y en el manejo de posibles fallos de funcionamiento.
- Abstenerse del uso de alcohol, medicamentos o drogas durante la operación.
- Evite la operación mientras está cansado o distraído.
- Evite la operación si tienen antecedentes de convulsiones u otros problemas médicos que pueden interferir con la operación.
- Tener una coordinación y visión adecuadas.

NOTA: Antes de la operación, asegúrese de que el trole esté en buenas condiciones de funcionamiento y que los registros de mantenimiento estén actualizados.

Operación

Tenga en cuenta la capacidad de carga del trole y no lo sobrecargue.
Fije la carga a la placa de suspensión directamente debajo del trole.

Mantenimiento

Inspección

Los operadores deben inspeccionar visualmente los troles regularmente. Observe si hay desgaste, daños, cortes, grietas o corrosión. Si se observa algún problema, los troles deben dejarse fuera de servicio hasta que puedan repararse. Use solo OZ Lifting Products LLC® para piezas de repuesto.

Complete una inspección mensual de la placa de suspensión, la rueda de seguimiento y las tuercas de seguridad. Asegúrese de que las tuercas de seguridad estén seguras.

Los troles deben llevarse a un centro de reparación autorizado para su inspección profesional una vez al año.



P.O. Box 845, Winona, MN 55987
Phone (800) 749-1064
(507) 474-6250
Tech Support (507) 457-3346
Fax (507) 452-5217
sales@ozliftingproducts.com
www.ozliftingproducts.com