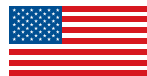


EN

OPERATOR'S MANUAL



STEEL DAVIT CRANES Made in USA



Model# OZ500DAV
Working Load: 500 lbs.

Model# OZ1000DAV
Working Load: 1000 lbs.

Model# OZ2500DAV
Working Load: 2500 lbs.

**Please read the Owner's Manual
carefully before operating this product.
Keep this manual handy at all times.**



P.O. Box 845, Winona, MN 55987
Phone (800) 749-1064
(507) 474-6250
Tech Support (507) 457-3346
Fax (507) 452-5217
sales@ozliftingproducts.com
www.ozliftingproducts.com

Table of Contents

Pg. 3 Two-Year Limited Warranty

Pg. 4 Product Precautions / Safety Warnings

Pg. 5 Crane Pre-Installation / Installing the Base / Assembling the Crane

Pg. 6 Installing the Cable

Pg. 7 Assembly Diagram / Operating the Crane

Pg. 8 Operating Guidelines / Cleaning & Lubricating the Crane

Pg. 9 Inspecting the Crane

Pg. 10 Inspection Chart / Repairs / Load Rating

Pg. 11 Specification / Troubleshooting Chart



Two Year Warranty

OZ Lifting Products LLC® guarantees this product to be free of defects in materials and workmanship for two years from the date of shipment.

This warranty does not apply to products that show signs of misuse, overloading, alteration, improper maintenance or negligence. The normal wear and tear of moving parts is excluded from the warranty. Moving parts are defined as brake discs, wire rope and other wear components that are subject to use conditions. This warranty does not cover any costs related to removal of this product, lost time, or any other incidental or consequential damages/costs resulting from the claimed defects.

If this product fails during the first two years of operating due to defective materials or workmanship, it will be repaired or replaced at the discretion of OZ Lifting Products LLC®. Any product subject to a warranty claim must be returned, prepaid, to an authorized OZ Lifting Products LLC® warranty depot along with proof of purchase. Upon repair, the product will be returned to the customer free of charge. If no defect is found, the customer will be responsible for return shipping costs. The product's warranty will be effective for the remainder of the original warranty period (two years from shipment date).

OZ Lifting Products LLC® will not be held liable for the following arising from the use of this product: injuries to persons or property, death, incidental, consequential, or contingent damages, whether negligent or deliberate. It is the sole responsibility of the owner to install and operate the product properly and safely.

This is OZ Lifting Products LLC®'s only written warranty. This warranty is in lieu of all other warranties implied by law such as merchantability and fitness. The sale of products from OZ Lifting Products LLC® under any other warranty or guarantee, expressed or implied, is not authorized.

NOTE: OZ Lifting Products LLC® has the right to alter the design of or discontinue the production of any product without prior notice.

For more information please contact:



P.O. Box 845, Winona, MN 55987
Phone (800) 749-1064
(507) 474-6250
Tech Support (507) 457-3346
Fax (507) 452-5217
sales@ozliftingproducts.com
www.ozliftingproducts.com

Product Precautions

The information in this manual should be used only for the **STEEL DAVIT CRANE by OZ Lifting Products LLC®**. This manual contains general instructions for normal installation, operation, and maintenance of the product described herein. The information provided should not be expected to prepare the user for all possible circumstances.

This product should not be installed, operated, or maintained by any person who has not read all the contents of this manual. Failure to read and comply with these instructions, warnings, or limitations may result in bodily injury, death, or property damage.

It is the responsibility of the owner/user to install, test, maintain, and operate this product in accordance with OSHA regulations as well as all other federal, state, and local regulations. Only trained and qualified personnel shall operate and maintain this product.

Regularly inspect the **STEEL DAVIT CRANE by OZ Lifting Products LLC®** for signs of wear, elongation of holes, surface cracks, gouges, damage or any abnormal conditions.

Product owners should schedule and keep record of regular inspection and maintenance. Record your **STEEL DAVIT CRANE by OZ Lifting Products LLC®** serial number and purchase date on the front cover of this manual for reference.

Do not use the **STEEL DAVIT CRANE by OZ Lifting Products LLC®** in conjunction with other equipment unless the necessary safety devices are in place. Modifications to this product should only be authorized by the original manufacturer.

Safety Warnings

Failure to read and comply with the following warnings may result in a hazardous situation that could lead to death, serious injury, or property damage. Keep this manual near the equipment at all times. Do not remove, alter, or obscure the labels attached to the winch. Contact OZ Lifting Products LLC® for replacement manuals and labels.

Do Not operate a damaged or malfunctioning product.

Do Not operate if guards are improperly installed or removed.

Do Not lift more than the rated load of the crane or its attached components.

Do Not use additional cranes to move a load that is heavier than the load rating of any single crane in use.

Do Not modify this product in any way.

Do Not use for other functions except those for which this product is intended.

Do Not remove, deface, or obscure warning labels.

Do Not allow load to swing or jerk. Operate smoothly to avoid shock loads.

Do Not lift any load that is not located directly below the crane. This product is not intended to drag a load sideways.

Do Not wrap the load with the wire rope. Use only a sling or another manufacturer-approved device.

Do Not operate without 4 anchor wraps of wire rope around the winch drum.

Do Not operate without assuring wire rope is securely attached to the winch drum.

Do Not operate without checking for proper lubrication.

Do Not put hands in areas with moving parts such as sheaves, wire ropes, and gears.

Do Not lift people.

Do Not lift loads over people.

Do Not operate until personnel are warned of approaching loads and are cleared from the area.

Do Not leave a suspended load unattended.

Do Not substitute smaller diameter pins. Use only the pins supplied with the crane.

Do Not use chains, cables, or rigid devices to to lift crane. Nylon or other synthetic slings should be used instead.



Crane Pre-Installation

Check for damage during shipment. Do not install or use a damaged product. Be sure to maintain records of product information and contact your OZ Lifting Products LLC® dealer with any problems that arise. Refer to applicable codes and regulations before installing equipment. Contact a qualified professional to obtain structure and foundation specifications for product mounting.

Before installing, select a location where the crane is:

- Visible throughout its entire operation.
- Free of traffic and any possible operational interference.
- Positioned so the operator is clear of both the load and the path of the wire rope.
- Accessible for maintenance.
- Attached to a strong, level foundation that can properly support it under all conditions.
- Removed from any corrosive, flammable, explosive, or potentially damaging materials.

Installing the Base

NOTE: The accompanying bases for the **STEEL DAVIT CRANE by OZ Lifting Products LLC®** are sold separately through OZ Lifting Products LLC® dealers. They are necessary for proper operation of this product.

The base must be securely fastened to the foundation using 1/2-inch coarse thread fasteners of at least grade 5. A torque of 80 ft/lb should be used for grade 5 fasteners without lubrication.

Assure that mounting surface is located directly above a strong, level, solid foundation that supports the crane under all circumstances.

Non-standard products that have been altered from the original design may require alternative fastening requirements. Contact your OZ Lifting Products LLC® dealer for more information.

Assembling the Crane

Pre-Assembly

Please refer to the Assembly Diagram on pg. 7 before assembling the crane.

Inspect the crane to assure there are no missing or damaged parts. Do not discard the crane's shipping containers as they can be reused if the crane needs to be repackaged. Contact your OZ Lifting Products LLC® dealer if any problems arise.

Assure that all components, including the pin that the load sheave rides on, are properly lubricated before assembling. Refer to Cleaning & Lubricating the Crane on pg. 8.

During assembly, perform an inspection according to the procedures found on pg. 10. Document and resolve any issues. This will provide a comparison for later inspections.

Assembly

NOTE: Fasteners should not be over-tightened during assembly as this may strip the threads and lead to damage. For the purpose of assembly, four clevis pins, marked 1-3, are included. The two pins marked #2 are identical. Both are necessary for assembly.

Once the OZ Lifting Products LLC® base has been installed, assemble the crane with the following steps:

1. Install the mast into the base. The mast will slide easily down into the base (no tools are necessary). Assure that the mast is properly positioned on the pin at the bottom of the base. This can be confirmed by moving the mast from side to side to check for excessive play. The mast should fit snugly. Assure that the height adjustment plate is facing forward.

2. To set the boom on the mast, align the holes on the rear of the boom with the holes in the top of the mast. Insert clevis pin #3. Secure with lynch pin.

NOTE: Releasing your grip on the boom at this point in assembly may cause the boom to swing down into the mast. This could result in injury or damage to the product.

3. Align the bottom of the support bar with your selected hole on the height adjustment plate.

4. Align the top of the support bar with the boom's anchor plate.

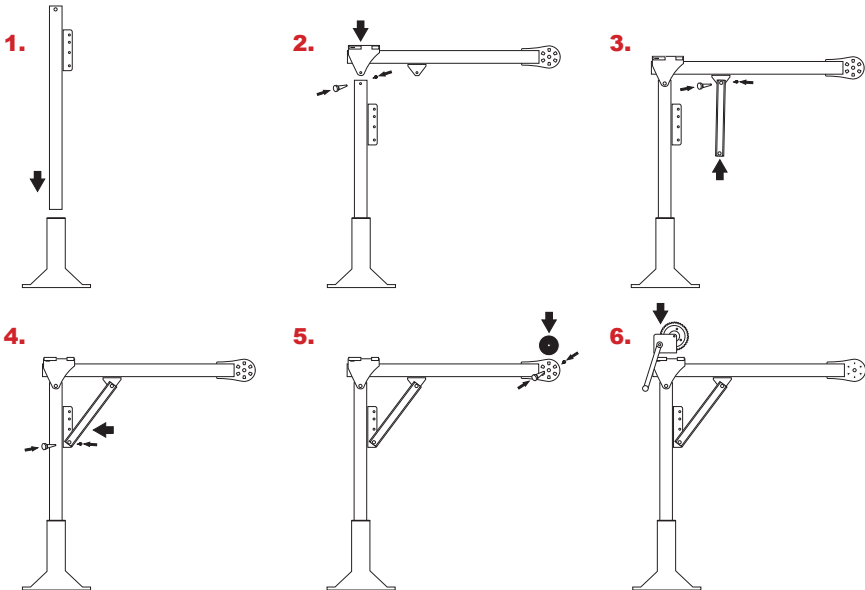
NOTE: the **STEEL DAVIT CRANE by OZ Lifting Products LLC®** will ship from the factory partially assembled. The following steps are only for reference if the product must be reassembled.

5. Slide the sheave pulley into the boom cap from either the top or the bottom. Align the holes on the sheave pulley with those on the boom. Insert clevis pin #1 and secure with lynch pin.

6. Center the winch over the mounting holes on the top of the boom. The drum should be facing toward the sheave pulley. Secure the winch to the boom in the frontmost mounting position, or the set of three holes closest to the sheave. There are two bolt patterns on the boom. The smaller bolt pattern is for the manual winch.

NOTE: Disassembly is the reverse of the assembly. It is not necessary to fully disassemble the crane to transport it.

Assembly Diagram



Installing the Cable

The OZ Lifting Products LLC[®] cable assembly that can be ordered with the **STEEL DAVIT CRANE by OZ Lifting Products LLC[®]** will come with a swaged ball on one end to facilitate easy assembly. Standard bare end cable can also be used. The hardware for bare end cable installation is included. Please refer to the accompanying winch owner's manual for instructions on installing a bare end cable.

To install the OZ Lifting Products LLC[®] supplied cable:

1. Lay the cable out on a flat surface to ensure it is not knotted or looped.
2. Locate the ball end of the cable.
3. Locate the "keyhole" in the winch drum that accepts the ball end of the cable.
4. Thread the ball end of the cable over the load sheave pulley and towards the winch.
5. Insert the ball end fitting of the cable into the "keyhole" feature in the winch.
6. Ensure that the ball end of the cable slides into the slot in the "keyhole" and cannot be pulled out.
7. Manually spool at least 4 full wraps of cable onto the winch drum. There must be at least 4 full anchor wraps of cable on the winch drum at all times.
8. Install cable-retainer pin by inserting into holes at the tip of the boom.

NOTE: To ensure the maximum amount of cable can be spooled onto the winch, the cable must be neatly spooled onto the winch drum. If the cable is not spooled neatly onto the winch drum, the cable capacity will be reduced and handle effort may increase. Cable that is not spooled neatly can consume 30% more space on the winch drum, reducing cable capacity.

Operating the Crane

Warnings & Precautions

Operators should read and fully comprehend this entire manual and all warnings on the **STEEL DAVIT CRANE by OZ Lifting Products LLC[®]** before beginning crane operation. If this manual is not read and followed completely, injuries and damage may occur. For questions regarding operation, please contact your OZ Lifting Products LLC[®] dealer.

Before operating the crane, be sure all parts are clean and properly lubricated. The crane must be in proper working condition and maintenance records must be up to date to proceed with operation. The area of operation must be clear of all flammable materials.

It is important to maintain secure footing while operating the crane. Confirm that the crane is attached securely to a strong, level, solid foundation before operation. Slowly take up a load, verifying that it is well supported and balanced before proceeding with operation.

All operators MUST:

- Be trained in proper crane operation and in dealing with potential malfunctions.
- Abstain from use of alcohol, medications, or drugs while operating.
- Avoid operation while tired or distracted.
- Avoid operation if they have a history of seizures or other medical issues that may interfere with crane operation.
- Have proper coordination and vision.

Operating Guidelines

The **DAVIT 500 by OZ Lifting Products LLC®** has a maximum operating load rating of 500 lbs.
The **DAVIT 1000 by OZ Lifting Products LLC®** has a maximum operating load rating of 1000 lbs.
The **DAVIT 2500 by OZ Lifting Products LLC®** has a maximum operating load rating of 2500 lbs.

The **STEEL DAVIT CRANE by OZ Lifting Products LLC®** is capable of generating forces that are in excess of this maximum load rating, but this should not be attempted.

NOTE: It is the responsibility of the user to ensure that the loads being handled are within the operating limits of the **STEEL DAVIT CRANE by OZ Lifting Products LLC®** at all times. Shock loads must be minimized as they can lead to higher forces than the rated capacity of the **STEEL DAVIT CRANE by OZ Lifting Products LLC®**.

A load rating table is provided on pg.10 as well as on the **STEEL DAVIT CRANE by OZ Lifting Products LLC®** itself. This load rating table is calculated based on both the extension of the crane's boom as well as the amount of cable spooled onto the winch drum. The amount of cable spooled onto the winch will change during a lift (especially long lifts), impacting load capacity.

NOTE: It is the responsibility of the user to determine the maximum amount of cable that will be spooled onto the winch at any given time during the lift and size the load to be lifted accordingly.

The manual winch that is supplied with the **STEEL DAVIT CRANE by OZ Lifting Products LLC®** has been specifically chosen to match the rating of the crane. The quick-disconnect handle on this winch has also been specifically designed to operate within the load range of the winch. The effort required to operate the winch at the maximum rated capacity will be significant. This is an intentional design feature and not a defect. The increased effort required when nearing rated capacity (at any percentage of drum capacity) is a sign that the load being lifted may be too heavy.

NOTE: Check the weight of the load being lifted and reduce the weight if necessary.

NOTE: Never attempt to adjust the angle of the boom while under load. The boom should only be lowered for storage purposes.

This **STEEL DAVIT CRANE by OZ Lifting Products LLC®** has a main structure made from steel. At no time should the crane emit any abnormal noises during use. Any abnormal sounds are cause for removal of load and inspection. There are multiple sources for abnormal noises including, but not limited to:

- If the cable is not spooled neatly, under tension, when load is applied.
- If the crane is severely overloaded.
- If the crane has suffered severe damage from abuse and/or mishandling.

NOTE: This list is not exhaustive and does not cover all possibilities.

Cleaning & Lubricating the Crane

The **STEEL DAVIT CRANE by OZ Lifting Products LLC®** should be periodically cleaned to preserve its appearance and to prevent corrosion. The **STEEL DAVIT CRANE by OZ Lifting Products LLC®** will last longer and perform better when it is kept clean and lubricated.

NOTE: No solvents should be used on any parts of the **STEEL DAVIT CRANE by OZ Lifting Products LLC®** for cleaning or any other purpose.

Instructions:

1. Wipe the surfaces of the crane with a wet cloth. Detergents are not necessary.
2. The steel surfaces should have a light film of oil applied to them to prevent corrosion.
NOTE: No lubricants of any kind should be applied to the brakes in the winch. If the brake pads get contaminated with oil, they may slip.
3. Remove any excess oil with a clean cloth.
4. Lubricate the bushing in the load sheave with a light coat of grease.
5. Lubricate the shaft bearing surfaces on the winch with a light coat of grease, taking care not to get any oil or grease on the brake pads of the winch.

Inspecting the Crane

In order to maintain quality operation of the product, a regular inspection schedule should be followed by each operator. All inspections should be reported and maintained in a dated record log. These records should be available to all personnel involved with the product and should be made available to OZ Lifting Products LLC® when a warranty issue is in question.

Definitions

Designated Person - The person who is selected or assigned as being competent to perform specific duties.

Qualified Person - The person that—by possession of a recognized degree or certificate of professional standing, or through extensive knowledge, training, and experience—has successfully demonstrated they are able to resolve problems relating to the subject matter and work.

Normal Service - Service that involves operation with randomly distributed loads within the rated load limit, or uniform loads less than 65% of rated load for not more than 15% of the time.

Heavy Service - Service that involves operation within the rated load limit and exceeds normal service.

Severe Service - Service that involves normal or heavy service with abnormal operating conditions. This also includes service that involves shock loading.

Inspection Classifications

Frequent Inspections - Completed by the operator or designated person. Performed by doing a visual examination and listening for unusual sounds during operation. These inspections are usually performed before each operation, every few hours during operation, and if problems arise.

Periodic Inspections - Completed by a designated person. Performed, with more detail than a frequent inspection, by doing visual examinations of internal and external conditions. These inspections are done on the following schedule:

- Normal Service - Semi-annually
- Heavy Service - Quarterly
- Severe Service - Immediately after completion of lift
- Following prolonged storage or if operation issues arise.

NOTE: Label crane as “Out of Service” if an inspection deems it damaged or if maintenance is required. Do not remove this label until a qualified person has resolved the issue. Discontinue use of wire rope and equipment if damage or overloading occurs.

Important Inspection Notes

- Brakes require more than audible and visual inspection. Check brakes daily by operating the crane with and without a load and by stopping at various positions to ensure safe operation. If the load coasts or creeps, contact the factory for friction disc replacements.
- Proper inspection may require disassembly of some parts. Contact the OZ Lifting Products LLC® factory before doing so or the applicable warranty may be voided.
- For wire rope inspections, please contact the specific manufacturer of the rope. The inspection provided in the following chart is for a general inspection only and is in no way the complete inspection required.
- Before operation, assure all deficiencies on the inspection chart are resolved and inspections are up to date. Refer to the troubleshooting chart on pg.11 for further assistance.
- Be aware of applicable codes and regulations for crane inspection.
- See specific winch owner’s manual for instructions and complete inspection instructions.

Inspection Chart

NOTE: Disassemble crane, including boom and winch, periodically to inspect each for damage. Use the following chart to determine what type of inspection is necessary. Frequent Inspection (F) and Periodic Inspection (P).

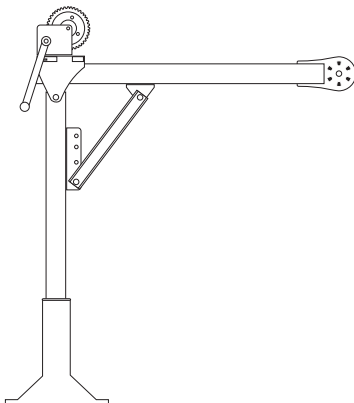
Location	Check For	F	P
Crane	Damage, cracks, rust, chipping, dents excess wear, or corrosion.	X	
	Unusual sounds	X	
	Smooth load movements	X	
	Equipment properly lubricated	X	
	Signs of overloading (cracks, dents, or damage)		X
	Proper function when operated with a load equal to the load rating		X
Foundation	Good condition/supports the crane under all conditions	X	
	Level, no swerving of boom	X	
	Cracks, corrosion, damage (check by removing crane base from foundation)		X
Fasteners (including mounting fasteners)	Firmly installed	X	
	Properly tightened	X	
	Stripped threads, bent, or damage (check by removing crane from foundation)		X
Handle	Rotates freely in both directions	X	

NOTE: Please refer to the winch owner's manual for the winch inspection chart.

Repairs

All repairs must have factory authorization. Contact OZ Lifting Products LLC® to prevent voiding of the two-year limited warranty and potential damage. Perform recommended inspections to identify which parts should be replaced. Only use OZ Lifting Products LLC® replacement parts. To order replacement parts, contact your local OZ Lifting Products LLC® dealer. Please have the serial number, part number and a description available when calling.

Load Rating



***OZ500DAV based on 3/16" wire rope.**

***OZ1000DAV based on 1/4" wire rope.**

***OZ2500DAV based on 3/8" wire rope.**

Load Ratings (lbs.)	1st. Layer	Mid Drum	Full Drum
OZ500DAV	550 lbs.	550 lbs.	550 lbs.
OZ1000DAV	1000 lbs.	875 lbs.	550 lbs.
OZ2500DAV	2500 lbs.	2000lbs.	1550 lbs.

IMPORTANT! Load ratings will vary depending on wire rope length and diameter.

FR

GUIDE DE L'OPÉRATEUR



GRUES DAVIT EN ACIER

Fabriquées aux États-Unis



N° de modèle OZ500DAV

Capacité de charge : 500 lb

N° de modèle OZ1000DAV

Capacité de charge : 1 000 lb

N° de modèle OZ2500DAV

Capacité de charge : 2 500 lb

Veillez lire le manuel de l'utilisateur attentivement avant de faire fonctionner ce produit. Garder ce manuel près de votre équipement en tout temps.



P.O. Box 845, Winona, MN 55987

Téléphone +1 (800) 749-1064

+1 (507) 474-6250

Soutien technique +1 (507) 457-3346

Télécopieur +1 (507) 452-5217

sales@ozliftingproducts.com

www.ozliftingproducts.com

Table des matières

- P. 3. Garantie limitée de deux ans
- P. 4. Mesures/Avertissements de sécurité relatifs aux produits
- P. 5. Pré-installation de la grue/Installation de la base/
Assemblage de la grue
- P. 6. Installer le câble
- P. 7. Diagramme d'assemblage/Fonctionnement de la grue
- P. 8. Directives d'exploitation/Nettoyage et lubrification de la grue
- P. 9. Inspecter la grue
- P. 10. Tableau d'inspection/Réparations/Capacités de charge
- P. 11. Spécifications/Tableau de dépannage



Garantie de deux ans

OZ Lifting Products LLC® garantit ce produit contre les défauts de fabrication et de conception pendant deux ans à compter de la date d'expédition.

Cette garantie ne s'applique pas aux produits indiquant qu'il y a eu abus, surcharge, altération, mauvais entretien ou négligence. L'usure normale des pièces en mouvement est exclue de la garantie. Exemples de pièces en mouvement : disques de frein, câbles métalliques et autres composants qui s'usent. Cette garantie ne couvre pas les coûts liés au retrait de ce produit, au temps perdu ou autres dommages/coûts accessoires ou consécutifs liés aux déficiences contre lesquelles il y a une réclamation.

Si ce produit tombe en panne dans les deux premières années pour cause de fabrication ou de conception, il sera réparé ou remplacé à la discrétion de OZ Lifting Products LLC®. Tout produit sous garantie pour lequel il y a une réclamation doit être retourné prépayé à un dépôt de garantie OZ Lifting Products LLC® avec preuve d'achat. Une fois réparé, le produit sera retourné au client sans frais. S'il devait s'avérer qu'il n'y avait aucune déficience, les frais d'expédition de retour seront imputés au client. La garantie du produit continuera pour le reste de la période originale (deux ans à compter de la date d'expédition).

OZ Lifting Products LLC® n'est pas responsable de ce qui suit relatif à l'utilisation de ce produit : blessures ou dommages matériels, morts, dommages accessoires, consécutifs ou indirects, que ce soit par négligence ou à dessein. Il incombe exclusivement au propriétaire d'installer et de faire fonctionner le produit convenablement et sécuritairement.

Il s'agit de la seule garantie écrite de OZ Lifting Products LLC®. Cette garantie est en lieu et place de toute autre garantie qu'implique la loi, p. ex. qualité marchande ou aptitude. La vente de produits OZ Lifting Products LLC® en vertu de toute autre garantie expresse ou implicite n'est pas autorisée.

REMARQUE : OZ Lifting Products LLC® a le droit de modifier la conception ou de discontinuer la production de tout produit sans préavis.

Pour en savoir plus, contacter :



P.O. Box 845, Winona, MN 55987
Téléphone +1 (800) 749-1064
+1 (507) 474-6250
Soutien technique +1 (507) 457-3346
Télécopieur +1 (507) 452-5217
sales@ozliftingproducts.com
www.ozliftingproducts.com

Mesures de sécurité relatives au produit

Les renseignements que contient ce manuel ne doivent être utilisés que pour la **GRUE DAVIT EN ACIER de OZ Lifting Products LLC®**. Ce manuel contient des instructions générales sur l'installation, le fonctionnement et l'entretien normaux du produit décrit aux présentes. Vous ne devez pas prendre pour acquis que les renseignements fournis préparent l'utilisateur pour toute circonstance possible.

Ce produit ne doit pas être installé, opéré ou entretenu par quiconque n'ayant pas lu ce manuel au complet. Si vous ne lisez pas ces instructions, avertissements ou limitations ou que vous ne vous y conformez pas, il pourrait y avoir blessures, morts ou dommages matériels.

Il incombe au propriétaire/à l'utilisateur d'installer, de mettre à l'essai, d'entretenir et de faire fonctionner ces produits conformément aux règlements de l'OSHA, ainsi qu'aux autres règlements fédéraux, d'État et locaux. Seules des personnes formées et qualifiées doivent faire fonctionner et entretenir ce produit.

Inspecter régulièrement la **GRUE DAVIT EN ACIER de OZ Lifting Products LLC®** pour détecter des signes d'usure, des étirements des trous, des fissures en surface, des gouges, des dommages ou toute condition anormale.

Les propriétaires du produit doivent planifier et conserver les dossiers des inspections régulières. Indiquer le numéro de série et la date d'achat de votre **GRUE DAVIT EN ACIER de OZ Lifting Products LLC®** sur la couverture avant de ce manuel de référence.

Ne pas utiliser la **GRUE DAVIT EN ACIER de OZ Lifting Products LLC®** avec d'autres équipements à moins que les dispositifs de sécurité nécessaires soient en place. Toute modification apportée à ce produit doit être autorisée par le fabricant original.

Avertissements de sécurité

Si vous ne lisez pas les avertissements suivants et que vous ne vous y conformez pas, il peut y avoir des situations dangereuses qui pourraient causer la mort, des blessures graves ou des dommages matériels. Garder ce manuel à votre portée en tout temps. Ne pas enlever, ne pas modifier ou ne pas obscurcir les étiquettes attachées au treuil. Contacter OZ Lifting Products LLC® pour des manuels et des étiquettes de rechange.

Ne pas faire fonctionner un produit endommagé ou qui ne fonctionne pas correctement.

Ne pas faire fonctionner si les dispositifs de sécurité sont mal installés ou ont été retirés.

Ne pas lever plus que la capacité de charge de la grue ou des composants qui y sont fixés.

Ne pas utiliser de grues supplémentaires pour déplacer une charge qui dépasse la capacité de charge d'une seule des grues utilisées.

Ne pas modifier ce produit de quelque façon que ce soit.

Ne pas utiliser à des fins autres que celles pour lesquelles ce produit a été conçu.

Ne pas enlever, dégrader ou obscurcir les étiquettes d'avertissement.

Ne pas laisser la charge se balancer ou ne pas la secouer. Exploiter en douceur pour éviter les charges de choc.

Ne pas lever une charge qui ne se trouve pas directement sous la grue. Ce produit n'est pas conçu pour tirer une charge latéralement.

Ne pas entortiller le câble métallique autour de la charge. Utiliser une élingue ou autre appareil approuvé par le fabricant seulement.

Ne pas faire fonctionner sans que le câble métallique ait été enroulé 4 fois autour du tambour d'extrémité du treuil.

Ne pas faire fonctionner sans que le câble métallique soit bien fixé au tambour d'extrémité du treuil.

Ne pas faire fonctionner sans avoir vérifié la lubrification.

Ne pas mettre vos mains là où il y a des pièces en mouvement telles que poulies, câbles métalliques et engrenages.

Ne pas lever de personnes.

Ne pas lever de charges au-dessus de personnes.

Ne pas faire fonctionner avant d'avoir averti le personnel que des charges approchent et qu'il ait eu le temps de céder la place.

Ne pas laisser une charge suspendue sans surveillance.

Ne pas utiliser de attaches de diamètre inférieur. Utiliser seulement les attaches fournies avec la grue.

Ne pas utiliser de chaînes, de câbles ou d'appareils rigides pour lever la grue. Utiliser plutôt des élingues en nylon ou autres matières synthétiques.



Pré-installation de la grue

Vérifier s'il y a eu des dommages en cours d'expédition. Ne pas installer ou ne pas utiliser un produit endommagé. S'assurer de conserver des dossiers de renseignements sur le produit et de contacter votre concessionnaire OZ Lifting Products LLC® en cas de problème. Consulter les codes et les règlements en vigueur avant d'installer l'équipement. Contacter un professionnel qualifié quant aux spécifications de structure et de fondation avant de faire l'assemblage du produit.

Avant d'installer, sélectionner un endroit où la grue est :

- Visible tout au long de son fonctionnement.
- Sans circulation qui pourrait nuire au fonctionnement.
- Positionnée de sorte que l'opérateur soit à l'écart de la charge et du câble métallique.
- Facile à entretenir.
- Fixée sur une fondation robuste et à niveau qui peut la supporter, quelles que soient les conditions.
- À l'écart de tout matériau corrosif, inflammable, explosif ou dommageable.

Installer la base

REMARQUE : Les concessionnaires **OZ Lifting Products LLC®** vendent les bases de **GRUE DAVIT EN ACIER** de OZ Lifting Products LLC® séparément. Elles sont nécessaires pour que ce produit fonctionne convenablement.

La base doit être bien fixée à la fondation au moyen de fixations à filet normal de 1/2 po de catégorie 5 au minimum. Vous devez utiliser un couple de 80 pi/lb pour les fixations de catégorie 5 sans lubrification.

S'assurer que la surface de montage se trouve directement sur une fondation robuste, à niveau et solide qui supportera la grue, quelles que soient les circonstances.

Les produits non standards modifiés peuvent devoir être fixés autrement que ce qu'indique la conception originale. Contacter votre concessionnaire OZ Lifting Products LLC® pour en savoir plus.

Assemblage de la grue

Pré-assemblage

Veillez consulter le diagramme d'assemblage à la page 7 avant d'assembler la grue.

Inspecter la grue pour s'assurer qu'aucune pièce ne manque ou n'a été endommagée. Ne pas jeter les emballages d'expédition, ils peuvent être réutilisés si jamais la grue devait être remballée. Communiquer avec votre concessionnaire OZ Lifting Products LLC® en cas de problème.

S'assurer que tous les composants, y compris l'attache sur laquelle repose la poulie de levage, sont bien lubrifiés avant de commencer l'assemblage. Consulter la section Nettoyage et lubrification de la grue à la page 8.

Pendant l'assemblage, faire une inspection conformément aux procédures à la page 10. Documenter et résoudre tout problème. Cela servira de point de comparaison lors des inspections subséquentes.

Assemblage

REMARQUE : Les fixations ne doivent pas être trop serrées en cours d'assemblage, car cela peut abîmer les filets et causer des dommages. Aux fins d'assemblage, quatre axes à épaulement, numérotés de 1 à 3, sont inclus. Les deux attaches portant le signe « #2 » sont identiques. Les deux sont nécessaires pour l'assemblage.

Une fois que la base OZ Lifting Products LLC® est installée, assembler la grue en suivant les étapes suivantes :

1. Installer le mât dans la base. Le mât glissera dans la base (aucun outil requis). S'assurer que le mât est bien positionné sur l'attache au fond de la base. Cela peut être confirmé en déplaçant le mât d'un côté à l'autre pour vérifier qu'il n'y a pas trop de jeu à la base. Le mât doit être bien ajusté. S'assurer que la plaque d'ajustement de la hauteur est tournée vers l'avant.

2. Pour mettre la flèche sur le mât, aligner les trous derrière la flèche avec les trous sur le mât. Insérer l'axe à épaulement n° 3. Fixer avec une cheville d'essieu. **REMARQUE** : Si vous lâchez la flèche à ce moment-ci, la flèche pourrait pivoter vers le bas dans le mât. Vous pourriez vous blesser ou endommager le produit.

3. Aligner la partie inférieure de la barre de soutien avec le trou sélectionné sur la plaque d'ajustement de la hauteur.

4. Aligner le dessus de la barre de soutien avec la plaque d'ancrage de la flèche.

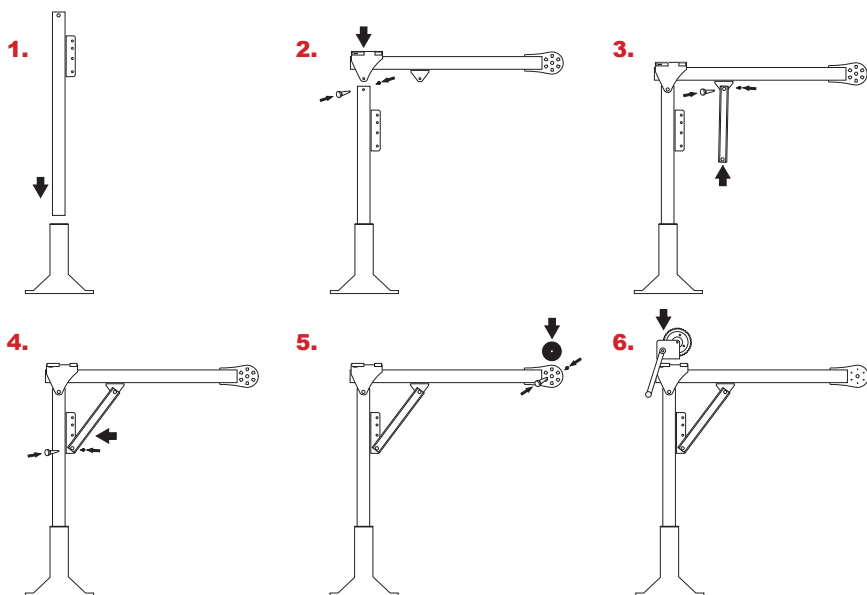
REMARQUE : la GRUE DAVIT EN ACIER de OZ Lifting Products LLC® est expédiée de l'usine assemblée en partie. Les étapes suivantes servent à des fins de référence seulement, au cas où le produit devrait être réassemblé.

5. Faire glisser la poulie de la noix dans le capuchon de la flèche depuis le haut ou le bas. Aligner les trous sur la poulie de la noix avec ceux dans la flèche. Insérer l'axe à épaulement n° 1 et fixer avec la cheville d'essieu.

6. Centrer le treuil sur les trous de montage sur le dessus de la flèche. Le tambour doit être tourné vers la poulie de la noix. Fixer le treuil à la flèche dans la position de montage la plus avancée ou dans l'ensemble de trois trous les plus proches de la poulie. Il y a deux motifs de boulons sur la flèche. Le plus petit est pour le treuil à bras.

REMARQUE : Le désassemblage est l'inverse de l'assemblage. Il n'est pas nécessaire de désassembler la grue pour la transporter.

Diagramme d'assemblage



Installer le câble

L'assemblage des câbles OZ Lifting Products LLC® qui peut être commandé avec la **GRUE DAVIT EN ACIER de OZ Lifting Products LLC®** compte un boulet estampé pour en faciliter l'assemblage. Il est également possible d'utiliser un câble dénudé standard. Le matériel pour installer le câble dénudé est inclus. Veuillez consulter le manuel du propriétaire du treuil annexé pour les instructions d'installation du câble dénudé.

Pour installer le câble OZ Lifting Products LLC® fourni :

1. Étendre le câble sur une surface plane pour vous assurer qu'il n'y a pas de tortillons ou de boucles.
2. Repérer l'extrémité du câble où se trouve le boulet.
3. Repérer « l'ouverture » dans le tambour d'extrémité du treuil où sera logé l'extrémité à boulet du câble.
4. Insérer l'extrémité à boulet du câble dans la poulie de la noix de levage et le tirer vers le treuil.
5. Insérer le raccord de l'extrémité à boulet dans « l'ouverture » du treuil.
6. S'assurer que l'extrémité à boulet du câble glisse dans la fente du « l'ouverture » et qu'on ne peut pas le retirer.
7. Enrouler manuellement le câble autour du tambour d'extrémité du treuil au moins 4 fois. Le câble doit être enroulé au moins 4 fois autour du tambour d'extrémité du treuil en tout temps.
8. Installer l'attache de retenue de câble en l'insérant dans les trous à la pointe de la flèche.

REMARQUE : Pour s'assurer de pouvoir enrouler autant de câble qu'il faut sur le treuil, le câble doit être bien enroulé autour du tambour d'extrémité du treuil. S'il n'est pas possible de bien enrouler le câble autour du tambour d'extrémité du treuil, la capacité du câble sera réduite et plus de force devra être exercée sur la poignée. Si le câble n'est pas bien enroulé, il peut prendre 30 % plus d'espace sur le tambour d'extrémité du treuil, réduisant ainsi la capacité du câble.

Fonctionnement de la grue

Avertissements et mesures de sécurité

Les opérateurs doivent lire complètement et comprendre tout ce manuel, ainsi que tous les avertissements sur la **GRUE DAVIT EN ACIER de OZ Lifting Products LLC®**, avant de la faire fonctionner. Si on ne lit pas ce manuel et qu'on ne s'y conforme pas, il pourrait y avoir blessures et dommages. Pour toute question liée au fonctionnement, veuillez contacter votre concessionnaire OZ Lifting Products LLC®.

Avant de faire fonctionner la grue, s'assurer que toutes les pièces sont propres et bien lubrifiées. La grue doit être en bon état et les dossiers d'entretien doivent être à jour avant de la faire fonctionner. La zone de fonctionnement ne doit contenir aucune matière inflammable.

Vous devez rester équilibré pendant que vous faites fonctionner la grue. S'assurer que la grue est bien fixée à une fondation robuste, à niveau et solide avant de la faire fonctionner. Lever une charge graduellement, vous assurant qu'elle est bien supportée et équilibrée avant de continuer.

Tous les opérateurs DOIVENT :

- Être formés quant au bon fonctionnement de la grue et à la prise en charge des défaillances potentielles.
- Ne pas utiliser d'alcool, de médicaments ou de drogues pendant le fonctionnement de la grue.
- Éviter le fonctionnement en cas de fatigue ou de distraction.
- Éviter le fonctionnement si l'opérateur a un historique de crises ou autres troubles médicaux qui risquent de nuire au fonctionnement de la grue.
- Avoir une bonne vision et une bonne coordination.

Directives de fonctionnement

La **GRUE DAVIT 500 de OZ Lifting Products LLC®** compte une capacité de charge de 500 lb.
La **GRUE DAVIT 1000 de OZ Lifting Products LLC®** compte une capacité de charge de 1 000 lb.
La **GRUE DAVIT 2500 de OZ Lifting Products LLC®** compte une capacité de charge de 2 500 lb.

La **GRUE DAVIT EN ACIER de OZ Lifting Products LLC®** peut produire une puissance supérieure à cette capacité de charge, mais vous ne devez jamais vous en servir.

REMARQUE : Il incombe à l'utilisateur de s'assurer que les charges levées respectent les limites de fonctionnement de la **GRUE DAVIT EN ACIER de OZ Lifting Products LLC®** en tout temps. Les charges de choc doivent être minimisées vu qu'elles peuvent exiger des puissances au-delà de la capacité de charge de la **GRUE DAVIT EN ACIER de OZ Lifting Products LLC®**.

Un tableau des capacités de charge se trouve à la p. 10, ainsi que sur la **GRUE DAVIT EN ACIER de OZ Lifting Products LLC®** elle-même. Ce tableau de charges est calculé en fonction de l'extension de la flèche de la grue, ainsi que de la quantité de câble enroulé autour du tambour d'extrémité du treuil. La quantité de câble enroulé sur le treuil durant un levage va changer (surtout un levage long) et aura un impact sur la capacité de charge.

REMARQUE : Il incombe à l'utilisateur de déterminer la longueur de câble qui peut être enroulé sur le treuil à tout moment du levage et le poids de la charge correspondante.

Le treuil à bras fourni avec la **GRUE DAVIT EN ACIER de OZ Lifting Products LLC®** a été choisi en fonction de la capacité de charge de la grue. La poignée à déconnexion rapide de ce treuil a été conçue elle aussi pour fonctionner en fonction de la capacité de charge du treuil. L'effort requis pour faire fonctionner le treuil à sa capacité de charge maximum est substantiel. Il s'agit d'une caractéristique voulue et non d'une déféctuosité. L'effort supplémentaire requis à l'approche de la capacité de charge (quel que soit le pourcentage de la capacité du tambour) est signe que la charge est peut-être trop lourde.

REMARQUE : Vérifier le poids de la charge que vous levez et le réduire, au besoin.

REMARQUE : Ne jamais tenter d'ajuster l'angle de la flèche quand elle est chargée. La flèche ne doit être baissée que lorsqu'on la range.

Cette **GRUE DAVIT EN ACIER de OZ Lifting Products LLC®** compte une structure principale en acier. La grue ne doit jamais émettre de bruits anormaux en cours d'utilisation. Si vous entendez des bruits anormaux, retirer la charge et faire une inspection. Les sources de bruits anormaux sont nombreuses, dont :

- Le câble n'est pas bien enroulé, sous tension, lorsque la charge est levée.
- La grue est sévèrement surchargée.
- La grue a été sévèrement endommagée après abus et/ou mésusage.

REMARQUE : Cette liste n'est pas exhaustive et ne couvre pas toutes les possibilités.

Nettoyage et lubrification de la grue

Il faut nettoyer la **GRUE DAVIT EN ACIER de OZ Lifting Products LLC®** périodiquement pour conserver son apparence et pour prévenir la corrosion. La durée de vie de la **GRUE DAVIT EN ACIER de OZ Lifting Products LLC®** sera plus longue et elle fonctionnera mieux si vous la gardez propre et lubrifiée.

REMARQUE : Aucun solvant ne doit être utilisé sur quelque pièce que ce soit de la **GRUE DAVIT EN ACIER de OZ Lifting Products LLC®** pour la nettoyer ou pour quelque autre raison que ce soit.

Instructions :

1. Essuyer les surfaces de la grue avec un linge humide. Aucun détergent requis.
2. Il doit y avoir une pellicule mince d'huile sur les surfaces en acier pour éviter la corrosion.

REMARQUE : Aucune lubrification ne doit être appliquée aux freins ou au treuil. Si les patins de freinage deviennent contaminés d'huile, ils peuvent glisser.

3. Enlever toute huile excédentaire avec un linge propre.
4. Appliquer une couche mince de graisse sur le palier de la poulie de levage.
5. Appliquer une couche mince de graisse sur les surfaces du palier d'extrémité, en prenant soin que les patins de freinage ne soient pas contaminés d'huile ou de graisse.

Inspecter la grue

Pour que la qualité de fonctionnement du produit soit bonne, l'opérateur doit faire inspecter le produit régulièrement. Toutes les inspections doivent être consignées et conservées dans un journal. Ces dossiers doivent être accessibles à tout le personnel qui utilise le produit et à OZ Lifting Products LLC® lorsqu'il y a un problème lié à la garantie.

Définitions

Personne désignée – une personne sélectionnée ou affectée qui est en mesure d'exécuter les tâches spécifiques.

Personne qualifiée - une personne qui possède un diplôme ou certificat de compétence professionnelle reconnu ou qui, grâce à ses connaissances, à sa formation à son expérience exhaustives, a démontré avec succès qu'elle peut résoudre les problèmes liés à la matière et au travail.

Service normal - fonctionnement avec des charges distribuées aléatoirement ou à l'intérieur de la limite de charge nominale ou charges uniformes de moins de 65 % de la charge nominale au plus 15 % du temps.

Service lourd - fonctionnement à l'intérieur de la limite de charge nominale au-delà du service normal.

Service rigoureux - service normal ou lourd dans des conditions de fonctionnement anormales. Charges de choc incluses.

Classifications d'inspection

Inspections fréquentes - effectuées par l'opérateur ou la personne désignée. Effectuées en faisant des examens visuels et en écoutant des sons inusités en cours de fonctionnement. Ces inspections, en règle générale, sont effectuées avant chaque utilisation, plusieurs fois en cours d'utilisation et lorsque des problèmes surviennent.

Inspections périodiques - effectuées par une personne désignée. Plus détaillées qu'une inspection fréquente en examinant visuellement les conditions internes et externes. Ces inspections se font selon l'horaire suivant :

- Service normal – deux fois par année
- Service lourd – à chaque trimestre
- Service rigoureux – après chaque levage
- Après rangement prolongé ou s'il y a eu problème en cours de levage.

REMARQUE : Indiquer que la grue est « en panne » si une inspection détermine qu'elle est endommagée ou qu'il doit être réparée. Ne pas retirer cette étiquette jusqu'à ce qu'une personne qualifiée ait résolu le problème. Ne pas utiliser des câbles métalliques et de l'équipement s'il y a eu dommages ou surcharge.

Remarques importantes liées aux inspections

- Les freins requièrent une inspection non seulement audible et visuelle. Les vérifier tous les jours en faisant fonctionner la grue avec et sans charge, vous arrêtant dans diverses positions pour garantir qu'ils fonctionnent bien. Si la charge se déplace, contacter l'usine pour remplacer les disques de friction.
- Il se peut que vous deviez désassembler certaines pièces pour les bien inspecter. Contacter l'usine de OZ Lifting Products LLC® avant de ce faire pour ne pas rendre votre garantie nulle et non avenue.
- Pour inspecter les câbles métalliques, veuillez contacter le fabricant du câble. L'inspection indiquée dans le tableau suivant est générale et non l'inspection complète requise.
- Avant utilisation, s'assurer que tous les défauts indiqués dans le tableau d'inspection ont été résolus et que les inspections sont à jour. Consulter le tableau de dépannage à la page 11 pour en savoir plus.
- Connaître les codes et les règlements en vigueur en matière d'inspection des grues.
- Consulter le manuel du propriétaire du treuil spécifique pour les instructions et les instructions d'inspection complètes.

Tableau d'inspection

REMARQUE : Désassembler la grue, y compris le cric à crémaillère, la flèche et le treuil, périodiquement pour déterminer s'ils ont été endommagés. Utiliser le tableau suivant pour déterminer quel type d'inspection effectuer. Inspection fréquente (F) et inspection périodique (P).

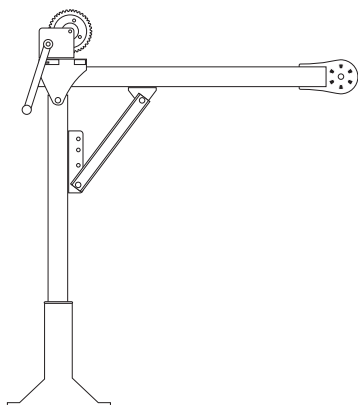
Emplacement	Vérifier s'il y a	F	P
Grue	Dommages, fissures, rouille, écaillage, bosses, usure excessive ou corrosion.	X	
	Bruits inhabituels	X	
	Mouvements de chargement régulier	X	
	Bonne lubrification	X	
	Signes de surcharge (fissures, bosses ou dommages)		X
	Fonctionnement régulier avec charge égale à la capacité de charge		X
Fondation	Bon état/supporte la grue, quelles que soient les conditions	X	
	À niveau, la flèche ne se balance pas	X	
	Fissures, corrosion, dommages (retirer la base de la grue de la fondation)		X
Fixations (y compris fixations de montage)	Bonne installation	X	
	Bon serrage	X	
	Filets abîmés, pliage ou dommages (retirer la base de la grue de la fondation)		X
Poignée	Tourne librement dans l'un et l'autre sens	X	

REMARQUE : Veuillez consulter le manuel du propriétaire du treuil pour le tableau d'inspection du treuil.

Réparations

L'usine doit autoriser toutes les réparations. Contacter OZ Lifting Products LLC® pour ne pas rendre votre garantie limitée de deux ans nulle et non avenue et ne pas causer des dommages. Effectuer les inspections recommandées pour déterminer les pièces à remplacer. Utiliser seulement des pièces de recharge provenant de OZ Lifting Products LLC®. Pour commander des pièces de rechange, communiquer avec votre concessionnaire OZ Lifting Products LLC® local. Veuillez avoir le numéro de série, le numéro de pièce et une description à votre portée lorsque vous appelez.

Capacité de charge



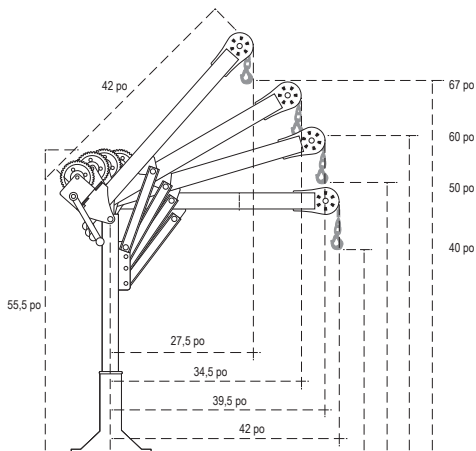
- *OZ500DAV pour un câble métallique de 3/16 po.
- *OZ1000DAV pour un câble métallique de 1/4 po.
- *OZ2500DAV pour un câble métallique de 3/8 po.

Capacité de charge (lb)	1ère couche	Tambour moyen	Tambour plein
OZ500DAV	550 lb	550 lb	550 lb
OZ1000DAV	1 000 lb	875 lb	550 lb
OZ2500DAV	2 500 lb	2 000 lb	1 550 lb

IMPORTANT! Les capacités de charge varient selon la longueur et le diamètre du câble métallique.

Spécifications

OZ500DAV et OZ1000DAV



OZ2500DAV

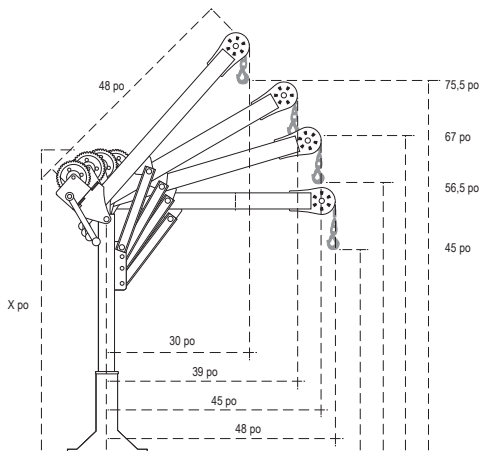


Tableau de dépannage

Contacter OZ Lifting Products LLC® si vous devez désassembler la grue. Dans le cas contraire, la garantie sera rendue nulle et non avenue.

Problème	Cause possible	Correction
Distance de la flèche excessive	Disques usés, endommagés ou surlubrifiés	Remplacer
	Cliquet à rochet de frein à disque endommagé ou usé	Remplacer
Usure excessive des engrenages ou des roulements	Surcharge	Réduire la charge
	Mauvaise lubrification	Relubrifier
Grincement aigu	Mauvaise lubrification	Relubrifier
Bruit de grincement	Câble mal enroulé, câble qui plonge dans le tambour	Rembobiner le câble également sous tension
	Freins ou engrenages sales	Nettoyer
	Engrenages ou roulements brisés	Remplacer
Cliquetis	Boulons, écrous, fixations desserrés	Serrer
La flèche pivote d'elle-même	Fondation non à niveau ou non sécuritaire	Réparer
	Mât plié ou endommagé	Réparer
La flèche rebondit	Surcharge	Réduire la charge et inspecter la grue pour déceler des dommages
	Boulons de montage desserrés	Serrer pour corriger le couple
	Fondation non à niveau ou non sécuritaire	Réparer
	Engrenages du treuil usés ou endommagés	Réparer
	Poulie usée ou endommagée	Réparer

Contacter OZ Lifting Products LLC® si vous devez désassembler la grue. Dans le cas contraire, la garantie limitée de deux ans sera rendue nulle et non avenue.

ES

MANUAL DEL OPERADOR



GRÚA PESCANTE DE ACERO Hecha en EE.UU



Modelo# OZ500DAV
Carga de trabajo: 500 lbs.

Modelo# OZ1000DAV
Carga de trabajo: 1000 lbs.

Modelo# OZ2500DAV
Carga de trabajo: 2500 lbs.

**Lea atentamente el manual del operador
antes de utilizar este producto.
Mantenga este manual cerca
en todo momento.**



P.O. Box 845, Winona, MN 55987
Teléfono (800) 749-1064
(507) 474-6250
Apoyo técnico (507) 457-3346
Fax (507) 452-5217
sales@ozliftingproducts.com
www.ozliftingproducts.com

Table of Contents

Pág. 3	Garantía limitada de dos años
Pág. 4	Precauciones del producto / Advertencias de seguridad
Pág. 5	Preinstalación de grúa / Instalación de la base / Montaje de la grúa
Pág. 6	Instalación del cable
Pág. 7	Diagrama de ensamblaje / Operación de la grúa
Pág. 8	Pautas de funcionamiento / Limpieza y lubricación de la grúa
Pág. 9	Inspeccionando la grúa
Pág. 10	Cuadro de inspección / Reparaciones / Capacidad de carga
Pág. 11	Tabla de especificaciones / solución de problemas



GARANTÍA DE DOS AÑOS

OZ Lifting Products LLC® garantiza que este producto estará libre de defectos en materiales y mano de obra durante dos años a partir de la fecha de envío.

Esta garantía no se aplica a productos que muestran signos de mal uso, sobrecarga, alteración, mantenimiento incorrecto o negligencia. El desgaste normal de las piezas móviles está excluido de la garantía. Las partes móviles se definen como discos de freno, cable metálico y otros componentes de desgaste sujetos a condiciones de uso. Esta garantía no cubre ningún costo relacionado con la eliminación de este producto, el tiempo perdido o cualquier otro daño / costo incidental o consecuente que resulte de los defectos reclamados.

Si este producto falla durante los primeros dos años de funcionamiento debido a materiales o mano de obra defectuosos, será reparado o reemplazado a discreción de OZ Lifting Products LLC®. Cualquier producto sujeto a un reclamo de garantía debe devolverse, prepago, a un distribuidor autorizado de OZ Lifting Products LLC® junto con el comprobante de compra. Tras la reparación, el producto será devuelto al cliente de forma gratuita. Si no se encuentra ningún defecto, el cliente será responsable de los costos de envío de devolución. La garantía del producto será efectiva por el resto del período de garantía original (dos años a partir de la fecha de envío).

OZ Lifting Products LLC® no se hace responsable de lo siguiente que surja del uso de este producto: lesiones a personas o bienes, muerte, daños incidentales, consecuentes o contingentes, ya sean negligentes o deliberados. Es responsabilidad exclusiva del propietario instalar y operar el producto de manera adecuada y segura.

Esta es la única garantía escrita de OZ Lifting Products LLC®. Esta garantía reemplaza a todas las demás garantías implícitas por ley, como la comerciabilidad y la aptitud. La venta de productos de OZ Lifting Products LLC® bajo cualquier otra garantía, expresa o implícita, no está autorizada.

NOTA: OZ Lifting Products LLC® tiene el derecho de alterar el diseño o suspender la producción de cualquier producto sin previo aviso.

Para obtener más información, póngase en contacto:



P.O. Box 845, Winona, MN 55987
Teléfono (800) 749-1064
(507) 474-6250
Apoyo técnico (507) 457-3346
Fax (507) 452-5217
sales@ozliftingproducts.com
www.ozliftingproducts.com

Precauciones

La información de este manual debe usarse solo para la **grúa pescante**. Este manual contiene instrucciones generales para la instalación, operación y mantenimiento normales del producto descrito aquí. No debe esperarse que la información proporcionada prepare al usuario para todas las circunstancias posibles.

Este producto no debe ser instalado, operado o mantenido por ninguna persona que no haya leído todo el contenido de este manual. No leer y cumplir con estas instrucciones, advertencias o limitaciones puede provocar lesiones corporales, muerte o daños a la propiedad.

Es responsabilidad del propietario / usuario instalar, probar, mantener y operar este producto de acuerdo con las regulaciones de OSHA, así como con todas las demás regulaciones federales, estatales y locales. Solo personal capacitado y calificado deberá operar y mantener este producto.

Inspeccione regularmente la **grúa pescante** en busca de signos de desgaste, alargamiento de agujeros, grietas en la superficie, gubias, daños o cualquier condición anormal.

Los propietarios de los productos deben programar y mantener un registro de inspección y mantenimiento regulares. Registre su número de serie y la fecha de compra de la **grúa pescante** en la portada de este manual como referencia.

No use la **grúa pescante** junto con otros equipos a menos que se encuentren los dispositivos de seguridad necesarios. Las modificaciones a este producto solo deben ser autorizadas por el fabricante original.

Advertencias de seguridad

No leer y cumplir con las siguientes advertencias puede provocar una situación peligrosa que podría provocar la muerte, lesiones graves o daños a la propiedad. Mantenga este manual cerca del equipo en todo momento. No quite, altere ni oculte las etiquetas adheridas al producto. Póngase en contacto con OZ Lifting Products LLC® para obtener manuales y etiquetas de reemplazo.

No opere un producto dañado o que funcione mal.

No opere si las protecciones han sido quitadas o instaladas incorrectamente

No levante más de la carga nominal de la grúa o sus componentes adjuntos.

No use grúas adicionales para mover una carga que sea más pesada que la capacidad de carga de cualquier grúa en uso.

No modifique este producto de ninguna manera.

No lo use para otras funciones excepto aquellas para las que está destinado este producto

No quite, desfigura ni oculte las etiquetas de advertencia.

No permita que la carga se balancee o se mueva. Opere suavemente para evitar cargas de choque.

No levante ninguna carga que no esté ubicada directamente debajo de la grúa. Este producto no está diseñado para arrastrar una carga hacia los lados.

No envuelva la carga con el cable metálico. Use solo una eslinga u otro dispositivo aprobado por el fabricante.

No opere sin 4 vueltas de cable de anclaje alrededor del tambor del cabrestante.

No opere sin asegurarse de que el cable esté bien sujeto al tambor del cabrestante.

No opere sin verificar la lubricación adecuada.

No coloque las manos en áreas con partes móviles como roldanas, cables y engranajes.

No levantar personas.

No levante cargas sobre las personas.

No opere hasta que se advierta al personal sobre las cargas que se aproximan y se retiren del área.

No deje una carga suspendida desatendida.

No sustituya pasadores de menor diámetro. Use solo los pasadores suministrados con la grúa.

No use cadenas, cables o dispositivos rígidos para levantar la grúa. Nylon u otras eslingas sintéticas deben usarse en su lugar.



Preinstalación de grúa

Chequee por daños ocurridos durante el envío. No instale ni use un producto dañado. Asegúrese de mantener registros de la información del producto y comuníquese con su distribuidor OZ Lifting Products LLC® por cualquier problema que surja. Consulte los códigos y reglamentos aplicables antes de instalar el equipo. Póngase en contacto con un profesional calificado para obtener las especificaciones de estructura y base para el montaje del producto.

Antes de instalar, seleccione una ubicación donde la grúa esté:

- Visible durante toda su operación.
- Libre de tráfico y cualquier posible interferencia operativa.
- Posicionado de manera que el operador esté libre tanto de la carga como del recorrido del cable metálico.
- Accesible para mantenimiento.
- Unida a una base sólida y nivelada que puede soportarla adecuadamente en todas las condiciones.
- Retirada de cualquier material corrosivo, inflamable, explosivo o potencialmente dañino.

Instalando la base

NOTA: La base que acompaña a la **grúa pescante** se vende por separado a través de los distribuidores de OZ Lifting Products LLC®. Es necesario para el correcto funcionamiento de este producto.

La base debe estar bien sujeta a la superficie de montaje con sujetadores de rosca gruesa de 1/2 pulgadas de al menos grado 5. Se debe usar un torque de 80 pies / lb para los sujetadores de grado 5 sin lubricación.

Asegúrese de que la superficie de montaje esté ubicada directamente sobre una base sólida, nivelada y sólida que soporte la grúa en todas las circunstancias.

Los productos no estándar que han sido alterados del diseño original pueden tener requisitos de fijación adicionales. Póngase en contacto con su distribuidor OZ Lifting Products LLC® para obtener más información.

Montando la grúa

Pre-Ensamblado

Consulte el Diagrama de ensamblaje en la página 7 antes de montar la grúa.

Inspeccione la grúa para asegurarse de que no falten piezas o que estén dañadas. No deseche los contenedores de envío de la grúa, ya que pueden reutilizarse si la grúa necesita ser reempacada.

Póngase en contacto con su distribuidor OZ Lifting Products LLC® si surge algún problema.

Asegúrese de que todos los componentes, incluido el pasador sobre el que se monta la polea de carga, estén lubricados adecuadamente antes del montaje. Consulte Limpieza y lubricación de la grúa en la página 8.

Durante el montaje, realice una inspección de acuerdo con los procedimientos que se encuentran en la página 10. Documente y resuelva cualquier problema. Esto proporcionará una comparación para inspecciones posteriores.

Ensamblado

NOTA: Los sujetadores no deben apretarse demasiado durante el montaje, ya que esto puede dañar las roscas y provocar daños. Para el montaje, se incluyen cuatro pasadores de horquilla, marcados 1 y 3. Los dos pasadores marcados con # 2 son idénticos. Ambos son necesarios para el montaje.

Una vez que se haya instalado la base OZ Lifting Products LLC®, ensamble la grúa con los siguientes pasos:

1. Instale el mástil en la base. El mástil se deslizará fácilmente hacia la base (no se necesitan herramientas). Asegúrese de que el mástil esté colocado correctamente en el pasador en la parte inferior de la base. Esto se puede confirmar moviendo el mástil de lado a lado para verificar si hay juego excesivo. El mástil debe quedar bien ajustado. Asegúrese de que la placa de ajuste de altura esté orientada hacia adelante.

2. Para colocar la pluma en el mástil, alinee los agujeros en la parte posterior de la pluma con los agujeros en la parte superior del mástil. Inserte el pasador de horquilla # 3. Asegure con el pasador. **NOTA:** Si suelta su agarre de la pluma en este punto del ensamblaje, puede hacer que la pluma se columpie en el mástil. Esto podría provocar lesiones o daños al producto.

3. Alinee la parte inferior de la barra de soporte con el orificio seleccionado en la placa de ajuste de altura.

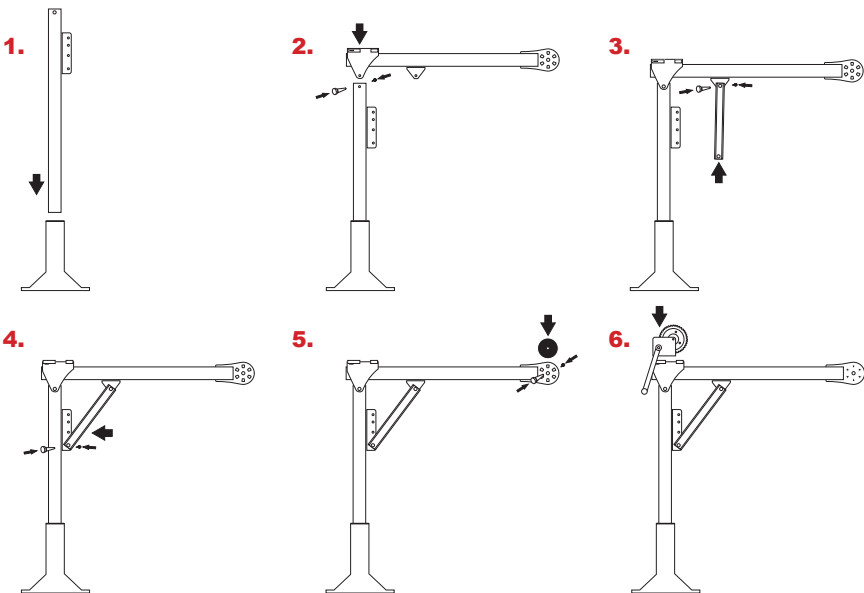
4. Alinee la parte superior de la barra de soporte con la placa de anclaje de la pluma. **NOTA:** la **grúa pescante de OZ Lifting Products LLC®** se enviará desde la fábrica parcialmente ensamblada. Los siguientes pasos son solo de referencia si el producto debe ser reensamblado.

5. Deslice la polea en la tapa de la pluma desde la parte superior o inferior. Alinee los orificios en la polea con los de la pluma. Inserte el pasador de horquilla # 1 y asegúrelo con el pasador.

6. Centre el cabrestante sobre los orificios de montaje en la parte superior de la pluma. El tambor debe estar orientado hacia la polea. Asegure el cabrestante a la pluma en la posición de montaje más frontal o al conjunto de tres agujeros más cercanos a la polea. Hay dos patrones de pernos en la pluma. El patrón de perno más pequeño es para el cabrestante manual.

NOTA: El desmontaje es el reverso del ensamblaje. No es necesario desmontar completamente la grúa para transportarla.

Diagrama de ensamblaje



Instalando el cable

El conjunto de cables OZ Lifting Products LLC® que se puede pedir con la grúa pescante vendrá con un extremo de bola para facilitar el montaje. También se puede usar cable de extremo estándar. Se incluye el hardware para la instalación del cable de extremo estándar. Consulte el manual del operador del cabrestante adjunto para obtener instrucciones sobre cómo instalar un cable de extremo estándar.

Para instalar el cable suministrado por OZ Lifting Products LLC®:

1. Extienda el cable sobre una superficie plana para asegurarse de que no esté anudado ni enrollado.
2. Localice el extremo de la bola del cable.
3. Localice el "ojo de la cerradura" en el tambor del cabrestante que acepta el extremo de la bola del cable.
4. Pase el extremo de la bola del cable sobre la polea de carga y hacia el cabrestante.
5. Vuelva a insertar el pasador de retención del cable.
6. Inserte la conexión del extremo de bola del cable en el "ojo de cerradura" del cabrestante.
7. Asegúrese de que el extremo de la bola del cable se deslice dentro de la ranura en el "ojo de la cerradura" y no se pueda sacar.
8. Enrolle manualmente al menos 4 vueltas completas de cable en el tambor del cabrestante. Debe haber al menos 4 vueltas de cable de anclaje completo en el tambor del cabrestante en todo momento.

NOTA: Para garantizar que la cantidad máxima de cable se pueda enrollar en el cabrestante, el cable se debe enrollar cuidadosamente en el tambor del cabrestante. Si el cable no se enrolla perfectamente en el tambor del cabrestante, la capacidad del cable se reducirá y el esfuerzo del mango puede aumentar. El cable que no se enrolla perfectamente puede consumir un 30% más de espacio en el tambor del cabrestante, lo que reduce la capacidad del cable.

Operando la grúa

Advertencias y Precauciones

Los operadores deben leer y comprender completamente este manual completo y todas las advertencias en la **grúa pescante** antes de comenzar la operación de la grúa. Si este manual no se lee y se sigue por completo, pueden producirse lesiones y daños. Si tiene preguntas sobre la operación, comuníquese con su distribuidor OZ Lifting Products LLC®.

Antes de operar la grúa, asegúrese de que todas las piezas estén limpias y correctamente lubricadas. La grúa debe estar en buenas condiciones de funcionamiento y los registros de mantenimiento deben estar actualizados para continuar con la operación. El área de operación debe estar libre de materiales inflamables.

Es importante mantener una posición segura mientras opera la grúa. Confirme que la grúa esté unida de forma segura a una base sólida, nivelada y sólida antes de la operación. Lentamente tome una carga, verificando que esté bien soportada y equilibrada antes de continuar con la operación.

Todos los operadores DEBEN:

- Capacitarse en la operación adecuada de la grúa y en el manejo de posibles fallos de funcionamiento.
- Abstenerse del uso de alcohol, medicamentos o drogas durante la operación.
- Evite la operación mientras está cansado o distraído.
- Evite la operación si tienen antecedentes de convulsiones u otros problemas médicos que pueden interferir con la operación de la grúa.
- Tener una coordinación y visión adecuada

Pautas operativas

El **DAVIT 500 by OZ Lifting Products LLC®** tiene una capacidad de carga máxima de 500 lbs.
El **DAVIT 1000 by OZ Lifting Products LLC®** tiene una capacidad de carga máxima de 1000 lbs.
El **DAVIT 2500 by OZ Lifting Products LLC®** tiene una capacidad de carga máxima de 2500 lbs.

La **grúa pescante** es capaz de generar fuerzas que exceden esta capacidad de carga máxima, pero esto no debe intentarse.

NOTA: Es responsabilidad del usuario asegurarse de que las cargas que se manejan estén dentro de los límites operativos de la **grúa pescante** en todo momento. Las cargas de choque se deben minimizar, ya que pueden conducir a fuerzas superiores a la capacidad nominal de la **grúa pescante**.

Se proporciona una tabla de clasificación de carga en la pág. 10, así como en la **grúa pescante**. Esta tabla de clasificación de carga se calcula en función tanto de la posición de la pluma de la grúa como de la cantidad de cable enrollado en el tambor del cabrestante. Si bien la posición de la pluma de la grúa no debe cambiar durante un levantamiento, la cantidad de cable que se enrolla en el cabrestante cambiará durante un levantamiento (especialmente durante levantamientos largos).

NOTA: Es responsabilidad del usuario determinar la cantidad máxima de cable que se enrollará en el cabrestante en cualquier momento dado durante el levantamiento y que la carga sea levantada como se corresponde.

El cabrestante manual que se suministra con la **grúa pescante** ha sido elegido específicamente para que coincida con la clasificación de la grúa. El mango de desconexión rápida de este cabrestante también se ha diseñado específicamente para funcionar dentro del rango de carga del cabrestante. El esfuerzo requerido para operar el cabrestante a la capacidad nominal máxima será significativo. Esta es una característica de diseño intencional y no un defecto. El mayor esfuerzo requerido cuando se acerca a la capacidad nominal (en cualquier porcentaje de la capacidad del tambor) es una señal de que la carga que se está elevando puede ser demasiado pesada.

NOTA: Verifique el peso de la carga que se levanta y reduzca el peso si es necesario.

NOTA: Nunca intente ajustar el ángulo de la pluma mientras está bajo carga. La pluma solo debe bajarse con fines de almacenamiento.

Esta grúa pescante de OZ Lifting Products LLC® tiene una estructura principal hecha de acero. En ningún momento la grúa debe emitir ruidos anormales durante el uso. Por cualquier sonido anormal se debe remover la carga e inspeccionar. Existen múltiples fuentes de ruidos anormales que incluyen, entre otros:

- Si el cable no se enrolla cuidadosamente, bajo tensión, cuando se aplica carga.
- Si la grúa está severamente sobrecargada.
- Si la grúa ha sufrido daños severos por abuso y / o mal manejo.

NOTA: Esta lista no es exhaustiva y no cubre todas las posibilidades.

Limpieza y lubricación de la grúa

La **grúa pescante** debe limpiarse periódicamente para preservar su apariencia y evitar la corrosión. La **grúa pescante** durará más y funcionará mejor cuando se mantenga limpia y lubricada.

NOTA: No se deben usar disolventes en ninguna parte de la **grúa pescante** para la limpieza ni para ningún otro propósito.

Instrucciones:

1. Limpie las superficies de la grúa con un paño húmedo. Los detergentes no son necesarios.
2. Las superficies de aluminio son anodizadas. Limpie las superficies de escombros. No es necesario engrasar los componentes ya que son impermeables a la corrosión por humedad.
3. Lubrique las superficies de los cojinetes del eje en el cabrestante con una capa ligera de grasa, teniendo cuidado de que no penetre aceite ni grasa en las pastillas de freno del cabrestante.

NOTA: No se deben aplicar lubricantes de ningún tipo a los frenos en el cabrestante. Si las pastillas de freno se contaminan con aceite, pueden resbalar.

4. Elimine el exceso de aceite con un paño limpio.
5. Lubrique el buje en la polea de carga con una capa ligera de grasa.

Inspeccionando la Grúa

Para mantener la operación de calidad del producto, cada operador debe seguir un cronograma de inspección regular. Todas las inspecciones deben informarse y mantenerse en un registro fechado. Estos registros deben estar disponibles para todo el personal involucrado con el producto y deben estar disponibles para OZ Lifting Products LLC® cuando se trate de un problema de garantía.

Definiciones

Persona designada: una persona que es seleccionada o asignada como competente para realizar las tareas específicas a las que está asignada.

Persona calificada: una persona que al poseer un título o certificado reconocido de prestigio profesional, o mediante un amplio conocimiento, capacitación y experiencia, ha demostrado con éxito que puede resolver problemas relacionados con el tema y el trabajo.

Servicio normal: servicio que implica la operación con cargas distribuidas aleatoriamente dentro del límite de carga nominal, o cargas uniformes inferiores al 65% de la carga nominal durante no más del 15% del tiempo.

Servicio pesado: servicio que implica la operación dentro del límite de carga nominal y excede el servicio normal.

Servicio severo: servicio que implica un servicio normal o pesado con condiciones de funcionamiento anormales

Clasificaciones de inspección

Inspecciones frecuentes: el operador o la persona designada realiza inspecciones frecuentes haciendo un examen visual y escuchando sonidos inusuales durante la operación. Estas inspecciones generalmente se realizan antes de cada operación, cada pocas horas en operación y si surgen problemas.

Inspecciones periódicas: una persona designada realiza inspecciones periódicas, que son inspecciones más detalladas, mediante exámenes visuales de las condiciones internas y externas. Estas inspecciones se realizan en el siguiente horario:

- Servicio normal: semestralmente
 - Servicio pesado: trimestral
 - Servicio severo: inmediatamente después de completar el levantamiento
- * También realice después de un almacenamiento prolongado o si surgen problemas de operación.

NOTA: Etiquete la grúa como "Fuera de servicio" si una inspección considera que está dañada o si se requiere mantenimiento. No quite esta etiqueta hasta que una persona calificada haya resuelto el problema. Suspenda el uso de cables y equipos si se producen daños o sobrecargas.

Notas importantes de inspección

- Los frenos requieren más que una inspección audible y visual. Revise los frenos diariamente operando la grúa con y sin carga y deteniéndose en varias posiciones para garantizar una operación segura. Si la carga se desliza o se arrastra, contacte a la fábrica para reemplazar los discos de fricción.
- La inspección adecuada puede requerir el desmontaje de algunas partes. Póngase en contacto con la fábrica de OZ Lifting Products LLC® antes de hacerlo o la garantía aplicable puede ser anulada.
- Para inspecciones de cables, comuníquese con el fabricante específico del cable. La inspección provista en la siguiente tabla es solo para una inspección general y no es de ninguna manera la inspección completa requerida.
- Antes de la operación, asegúrese de que se resuelvan todas las deficiencias en el cuadro de inspección y que las inspecciones estén actualizadas. Consulte la tabla de solución de problemas en la pág. 11 para asistencia adicional.
- Tenga en cuenta los códigos y reglamentos aplicables para la inspección de grúas.
- Consulte el manual del operador del cabrestante específico para obtener instrucciones de inspección completas.

Tabla de inspección

NOTA: Desmonte periódicamente la grúa, incluyendo la pluma y el cabrestante, para inspeccionar cada uno por daños. Use la siguiente tabla para determinar qué tipo de inspección es necesaria. Inspección frecuente (F) e Inspección periódica (P).

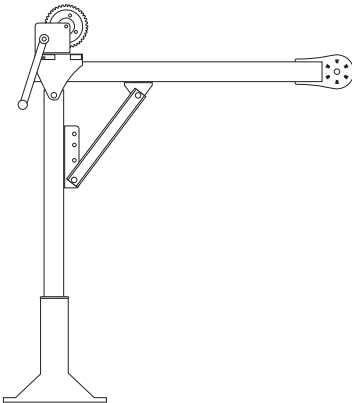
Ubicación	Comprobar	F	P
Grúa	Daños, grietas, óxido, picaduras, abolladuras, desgaste excesivo o corrosión	X	
	Sonidos inusuales	X	
	Movimiento suave de carga	X	
	Equipos debidamente lubricados	X	
	Señales de sobrecarga (grietas, abolladuras o daños)		X
	Función adecuada cuando se opera con una carga igual a la capacidad de carga		X
Fundamento	Buen estado / soporta la grúa en todas las condiciones	X	
	Nivel, sin desviarse de la pluma	X	
	Grietas, corrosión, daños (verificar quitando la base de la grúa)		X
Sujetadores (incluyendo sujetadores de montaje)	Instalado firmemente	X	
	Apretado apropiadamente	X	
	Hilos pelados, doblados o dañados (verificar quitando la base de la grúa)		X
Manija	Gira libremente en ambas direcciones	X	

NOTA: Consulte el manual del operador del cabrestante para ver su tabla de inspección.

Reparos

Todos los reparos deben tener autorización de fábrica. Póngase en contacto con OZ Lifting Products LLC® para evitar la anulación de la garantía limitada de un año y los posibles daños. Realice las inspecciones recomendadas para identificar qué partes deben reemplazarse. Utilice únicamente piezas de repuesto de OZ Lifting Products LLC®. Para pedir piezas de repuesto, comuníquese con su distribuidor local OZ Lifting Products LLC®. Tenga a mano el número de serie, el número de pieza y una descripción cuando llame.

Capacidad de carga



- *OZ500DAV basado en cable de 3/16" pulgadas.
- *OZ1000DAV basado en cable de 1/4" pulgadas.
- *OZ2500DAV basado en cable de 3/8" pulgadas.

Capacidad (lbs.)	Primera Capa	Medio Tambor	Tambor lleno
OZ500DAV	550 lbs.	550 lbs.	550 lbs.
OZ1000DAV	1000 lbs.	875 lbs.	550 lbs.
OZ2500DAV	2500 lbs.	2000lbs.	1550 lbs.

¡IMPORTANTE! Las capacidades de carga variarán según la longitud y el diámetro del cable.

Especificación

OZ500DAV & OZ1000DAV

OZ2500DAV

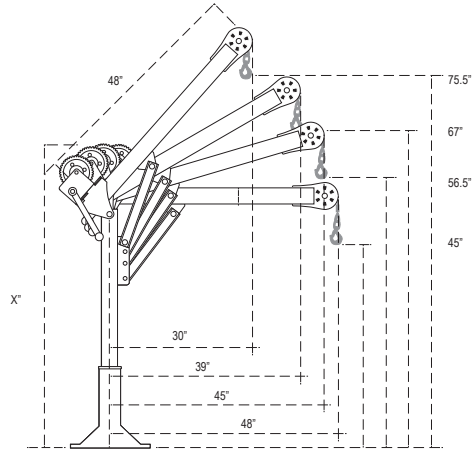
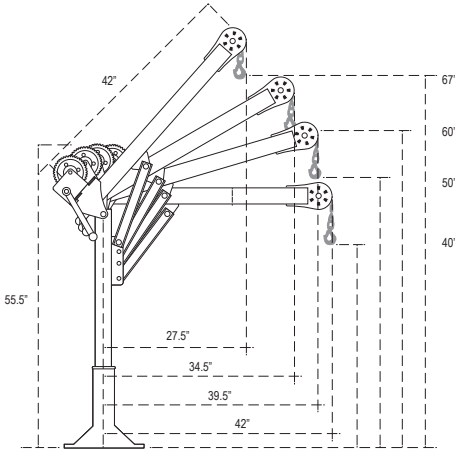


Tabla de solución de problemas

Problema	Causa posible	Corrección
Distancia de frenado muy larga	Los discos están desgastados, dañados o sobre lubricados	Reemplazar
	Trinquete de freno de disco dañado o desgastado	Reemplazar
Desgaste excesivo en engranajes y cojinetes.	Sobrecargado	Reducir la carga
	Lubricación inadecuada	Relubricar
Chirrido agudo	Lubricación inadecuada	Relubricar
Ruido de molienda	Cable mal enrollado, cable engranado en el tambor	Vuelva a enrollar el cable de manera uniforme bajo tensión
	Frenos o engranajes sucios	Limpiar
	Engranajes o cojinetes rotos	Reemplazar
Traqueteo	Pernos flojos, tornillos, sujetadores	Apretar
Pluma gira por su cuenta	Superficie de montaje sin nivel o insegura	Reparar
	Mástil doblado o dañado	Reparar
Pluma rebota	Sobrecargado	Reduzca la carga e inspeccione la grúa en busca de daños
	Pernos de montaje flojos	Apretar para corregir la torsión
	Superficie de montaje sin nivel o insegura	Reparar
	Engranajes del cabrestante desgastados o dañados	Reparar
	Polea desgastada o dañada	Reparar

Póngase en contacto con OZ Lifting Products LLC® si es necesario desmontar la grúa. La garantía limitada se anulará si esto no se hace.



P.O. Box 845, Winona, MN 55987

Phone (800) 749-1064

(507) 474-6250

Tech Support (507) 457-3346

Fax (507) 452-5217

sales@ozliftingproducts.com

www.ozliftingproducts.com



Rev. 11/22/19