

OPERATOR'S MANUAL



STAINLESS STEEL PUSH BEAM TROLLEY

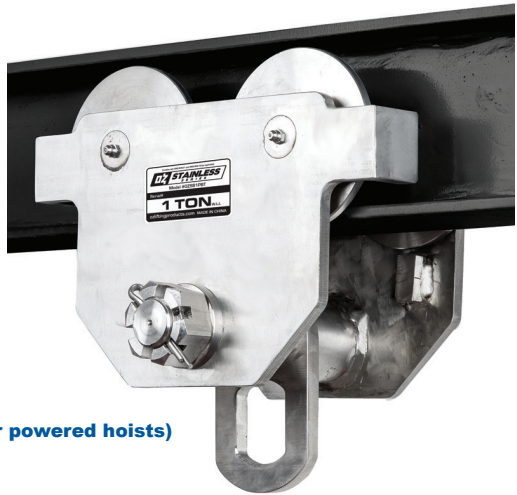
1 TON

2 TON

**These products
meet or exceed
the following
standards:**

**CE | AS1418.2
ANSI B30.10**

(For use with manual or powered hoists)



P.O. Box 845, Winona, MN 55987
Phone (800) 749-1064
(507) 474-6250
Tech Support (507) 457-3346
Fax (507) 452-5217
sales@ozliftingproducts.com
www.ozliftingproducts.com

Table of Contents

Pg.2	Product Features
Pg.3	Warranty
Pg.4	Important Information and Precautions/Warnings
Pg.5	Technical Information
Pg.6	Operation/Maintenance
Pg.7	Parts List

Product Features

- Lightweight, robust construction
- Fits to most I, S, and W-Beams
- Durable stainless steel
- Precision ball bearing trolley wheels
- Anti-drop plate
- Stainless steel ID tag
- Individual test certificate & serial number

Warranty

OZ Lifting Products LLC® guarantees these products to be free of defects in materials and workmanship for one year from the date of shipment.

This warranty does not apply to products that show signs of misuse, overloading, alteration, improper maintenance or negligence. The normal wear and tear of moving parts is excluded from the warranty. Moving parts are defined as brake discs, wire rope and other wear components that are subject to use conditions. This warranty does not cover any costs related to removal of these products, lost time, or any other incidental or consequential damages/costs resulting from the claimed defects.

If these products fails during the first year of operating due to defective materials or workmanship, they will be repaired or replaced at the discretion of OZ Lifting Products LLC®. Any product subject to a warranty claim must be returned, prepaid, to an authorized OZ Lifting Products LLC® warranty depot along with proof of purchase. Upon repair, the product will be returned to the customer free of charge. If no defect is found, the customer will be responsible for return shipping costs. The product's warranty will be effective for the remainder of the original warranty period (one year from shipment date).

OZ Lifting Products LLC® will not be held liable for the following arising from the use of this product: injuries to persons or property, death, incidental, consequential, or contingent damages, whether negligent or deliberate. It is the sole responsibility of the owner to install and operate the product properly and safely.

This is OZ Lifting Products LLC®'s only written warranty. This warranty is in lieu of all other warranties implied by law such as merchantability and fitness. The sale of products from OZ Lifting Products LLC® under any other warranty or guarantee, expressed or implied, is not authorized.

NOTE: OZ Lifting Products LLC® has the right to alter the design of or discontinue the production of any product without prior notice.

For more information please contact:



P.O. Box 845, Winona, MN 55987

Phone (800) 749-1064

(507) 474-6250

Tech Support (507) 457-3346

Fax (507) 452-5217

sales@ozliftingproducts.com

www.ozliftingproducts.com

Important Information and Precautions

The information in this manual should be used only for the **Stainless Series Push Beam Trolley**. This manual contains general instructions dealing with the normal installation, operation, and maintenance of the products described herein. The information provided should not be expected to prepare the user for all possible circumstances.

These products should not be installed, operated, or maintained by any person who has not read all the contents of these instructions. Failure to read and comply with these instructions, warnings, or limitations noted might result in bodily injury, death, or property damage. Contact the distributor for further explanation if information is not fully understood.

It is the responsibility of the owner/user to install, test, maintain, and operate these products in accordance with OSHA, regulations, other federal, state, and local regulations, and ANSI standards.

Only trained and qualified personnel shall operate and maintain this equipment.

Maintain Records

Schedule and maintain records of regular inspection and maintenance of these products. Record the serial number and purchase date of your trolleys on the front cover of this manual to allow for easier referencing.

Precautions

Do not use these trolleys in conjunction with other equipment unless the system designer, manufacturer, installer, or user has put the necessary safety devices in place. Modifications to upgrade or alter these products should only be authorized by the original manufacturer.

These trolleys should be used for holding loads only within their load ratings..

Standards: CE, AS1418.2, ANSI B30.10 (For use with manual or powered hoists)

Warnings

Failure to read and comply with the following warnings may result in a hazardous situation that could lead to death, serious injury, or property damage.

Be sure to properly install, operate, and maintain the trolleys so they do not come off the beam.

Do Not lift more than the rated load.

Do Not lift people or lift loads over people.

Do Not operate with side or off center loading of load.

Do Not operate a damaged or malfunctioning product.

Do Not remove, deface, or cover warning labels.

Do Not leave a suspended load unattended, unless specific precautions are instituted.

Do Not operate until personnel are warned and cleared from the area.

Do Not operate if locking nuts are not tight and locked in position.

Do Not operate if space washers are not correctly spaced.

Do Not operate if end stops are defective and don't restrain the trolley.

Do Not use if load is not suspended vertically.

Do Not use trolleys as welding ground.

Do Not weld on the lifted load.

Do Not use trolleys in corrosive environments.

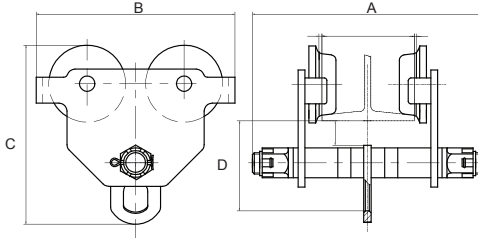
Do Not allow the load to swing.

Do Not use for any function other than that for which the product is designed.



Technical Information

STAINLESS SERIES PUSH BEAM TROLLEY (1, 2 tons)



Bail and Wheel
Dimensions available at
www.ozliftingproducts.com

Specification

PRODUCT CODE	OZSS1PBT	OZSS2PBT	
Safe working load (lbs)	2,000 (lbs)	4,000 (lbs)	
Adjustable flange width (in)	2.5–8 (in)	3.5–8 (in)	
Max flange thickness (in)	1.06 (in)	1.06 (in)	
Product dimensions	A	13 (in)	13.22 (in)
	B	9.68 (in)	10.86 (in)
	C	9 (in)	10.55 (in)
	D	5 (in)	5.9 (in)
Minimum radius curve (ft)	3.28 (ft)	3.60 (ft)	
Net weight (lbs)	26.5 (lbs)	43 (lbs)	

Pre-Installation

Check for damage during shipment. Do not install or use a damaged product. Contact your OZ Lifting Products LLC® dealer if there are any problems. Maintain records of all accompanying product information.

Before initial operation:

NOTE: Read and comply with all instructions and warnings furnished with or attached to the product, if applicable.

Push Beam Trolley Installation

Measure the width of the beam that the trolley will be mounted on. Ensure that the beam is within the adjustable flange width range of the trolley.

Connect the two sideplates together and adjust to suite the beam width.

With the sideplates installed onto the beam, firmly tighten the nuts on both sides of the trolley. Secure these nuts with the second locknuts. Ensure that both sets of nuts are tight.

Operation

Warnings & Precautions

Trolley operators should read and fully comprehend this entire manual and all warnings on the trolleys before beginning operation. If this manual is not read and followed completely, injuries may occur.

Operator Requirements:

- Be trained in proper trolley operation and in dealing with potential malfunctions.
- Abstain from use of alcohol, medications, or drugs while operating.
- Avoid operation while tired or distracted.
- Avoid operation if they have a history of seizures or other medical issues that may interfere with operation.
- Have proper coordination and vision.

NOTE: Prior to operation, ensure trolley is in proper working condition and maintenance records are up to date.

Operation

Be aware of trolley load capacity and don't overload.
Attach load to suspension plate directly under the trolley.

Maintenance

Inspection

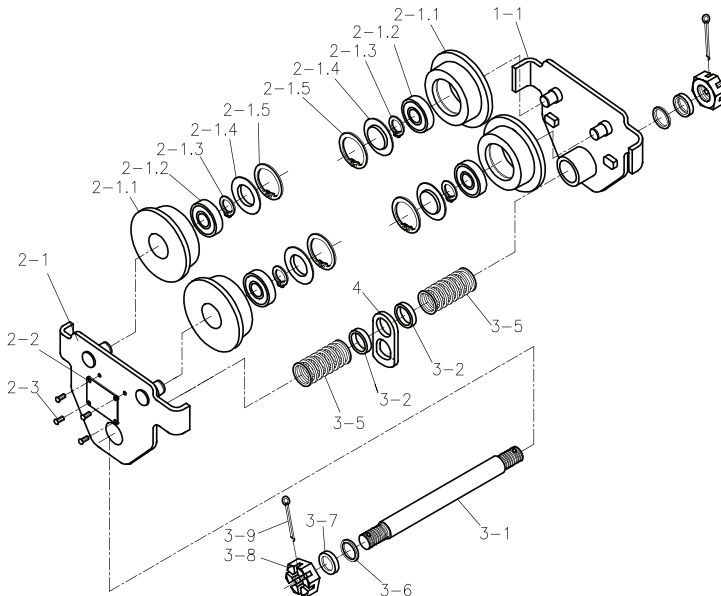
Operators should visually inspect the trolleys on a regular basis. Observe for wear, damage, cuts, cracks, or corrosion. If any problems are observed, the trolleys should be placed out of service until they can be repaired. Use only OZ Lifting Products LLC® for replacement parts.

Complete a monthly inspection of the suspension plate, track wheel, and locking nuts. Ensure that locking nuts are secure.

Trolleys should be taken to an authorized repair center for professional inspection once a year.

Parts List

(1 ton - 2 ton)



No.	BEAM TROLLEY PARTS
1-1	Right plate assy.
2-1	Left plate assy.
2-1.1	Driving wheel
2-1.2	Bearing
2-1.3	Snap ring
2-1.4	Bearing cover
2-1.5	Snap ring
2-2	Name plate
2-3	Rivet
3-1	Hanger Shaft
3-2	Short bushig
3-3	Long bushing
3-5	Adjusting washer
3-6	Thin adjusting washer
3-7	Step washer
3-8	Hexagonal castle nut
3-9	Split pin
4	Hanger plate



P.O. Box 845, Winona, MN 55987
Phone (800) 749-1064
(507) 474-6250
Tech Support (507) 457-3346
Fax (507) 452-5217
sales@ozliftingproducts.com
www.ozliftingproducts.com