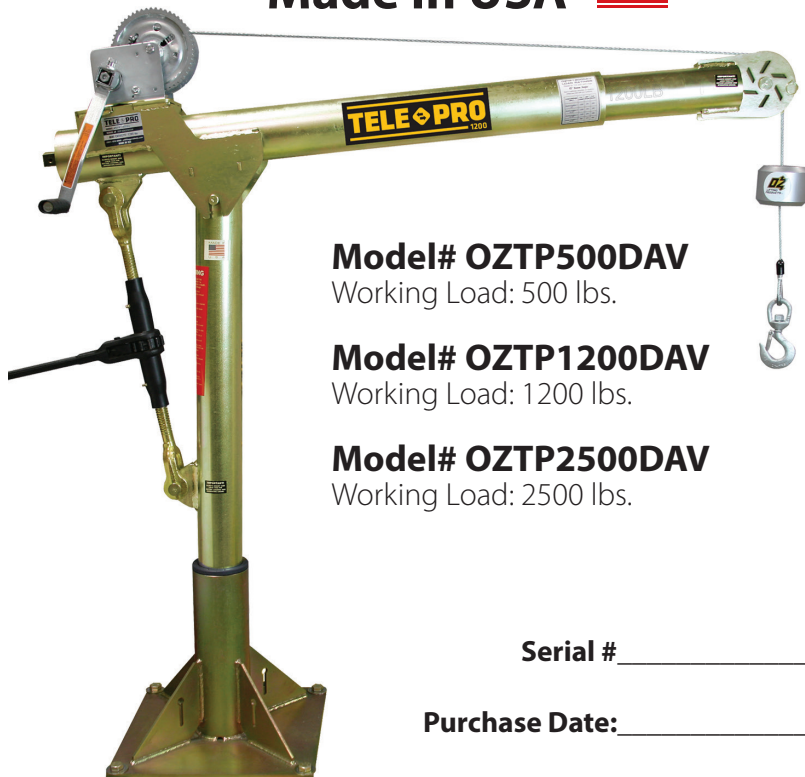


OPERATOR'S MANUAL - EN



TELESCOPING DAVIT CRANES Made in USA



Model# OZTP500DAV

Working Load: 500 lbs.

Model# OZTP1200DAV

Working Load: 1200 lbs.

Model# OZTP2500DAV

Working Load: 2500 lbs.

Serial # _____

Purchase Date: _____

**Please read the Owner's Manual carefully before operating this product.
Keep this manual available at all times.**



P.O. Box 845, Winona, MN 55987
Phone (800) 749-1064
(507) 474-6250
Tech Support (507) 457-3346
Fax (507) 452-5217
sales@ozliftingproducts.com

ozliftingproducts.com

Table of Contents

Pg. 3 Two-Year Limited Warranty
Pg. 4 Product Precautions / Safety Warnings
Pg. 5 Crane Inspection / Installing the Base
Pg. 6 Assembling the Crane
Pg. 7 Assembly Diagram / Installing Cable
Pg. 8 Operating the Crane
Pg. 9 Operating the Crane
Pg. 10 Operating Guidelines
Pg. 11 Cleaning and Lubricating the Crane
Pg. 12 Inspecting the Crane
Pg. 13 Inspections / Repairs / Troubleshooting
Pg. 14 Specifications
Pg. 15 Load Rating Charts



Two Year Warranty

OZ Lifting Products LLC® guarantees this product to be free of defects in materials and workmanship for two years from the date of shipment.

This warranty does not apply to products that show signs of misuse, overloading, alteration, improper maintenance, or negligence. The normal wear and tear of moving parts is excluded from the warranty. Moving parts are defined as brake discs, wire rope and other wear components that are subject to use conditions. This warranty does not cover any costs related to removal of this product, lost time, or any other incidental or consequential damages/costs resulting from the claimed defects.

If this product fails during the first two years of operating due to defective materials or workmanship, it will be repaired or replaced at the discretion of OZ Lifting Products LLC®. Any product subject to a warranty claim must be returned, prepaid, to an authorized OZ Lifting Products LLC® warranty depot along with proof of purchase. Upon repair, the product will be returned to the customer free of charge. If no defect is found, the customer will be responsible for return shipping costs. The product's warranty will be effective for the remainder of the original warranty period (two years from shipment date).

OZ Lifting Products LLC® will not be held liable for the following arising from the use of this product: injuries to persons or property, death, incidental, consequential, or contingent damages, whether negligent or deliberate. It is the sole responsibility of the owner to install and operate the product properly and safely.

This is OZ Lifting Products LLC®'s only written warranty. This warranty is in lieu of all other warranties implied by law such as merchantability and fitness. The sale of products from OZ Lifting Products LLC® under any other warranty or guarantee, expressed or implied, is not authorized.

NOTE: OZ Lifting Products LLC® has the right to alter the design of or discontinue the production of any product without prior notice.

For more information please contact:



P.O. Box 845, Winona, MN 55987
Phone (800) 749-1064
(507) 474-6250
Tech Support (507) 457-3346
Fax (507) 452-5217
sales@ozliftingproducts.com
www.ozliftingproducts.com

Product Precautions

The information in this manual should be used only for the **TELE-PRO DAVIT CRANES** by OZ Lifting Products LLC®. This manual contains general instructions for normal installation, operation, and maintenance of the product described herein. The information provided should not be expected to prepare the user for all possible circumstances.

This product should not be installed, operated, or maintained by any person who has not read all the contents of this manual. Failure to read and comply with these instructions, warnings, or limitations may result in bodily injury, death, or property damage.

It is the responsibility of the owner/user to install, test, maintain, and operate this product in accordance with OSHA regulations as well as all other federal, state, and local regulations. Only trained and qualified personnel shall operate and maintain this product.

Regularly inspect the **TELE-PRO DAVIT CRANES** by OZ Lifting Products LLC® for signs of wear, elongation of holes, surface cracks, gouges, damage, or any abnormal conditions.

Product owners should schedule and keep record of regular inspection and maintenance. Record your **TELE-PRO DAVIT CRANE** by OZ Lifting Products LLC® serial number and purchase date on the front cover of this manual for reference.

Do not use the **TELE-PRO DAVIT CRANES** by OZ Lifting Products LLC® in conjunction with other equipment unless the necessary safety devices are in place. Modifications to this product should only be authorized by the original manufacturer.

Safety Warnings

Failure to read and comply with the following warnings may result in a hazardous situation that could lead to death, serious injury, or property damage. Keep this manual near the equipment at all times. Do not remove, alter, or obscure the labels attached to the winch. Contact OZ Lifting Products LLC® for replacement manuals and labels.

Do Not operate a damaged or malfunctioning product.

Do Not operate if guards are improperly installed or removed.

Do Not lift more than the rated load of the crane or its attached components.

Keep in mind the load rating may change based on the position and extension of the crane boom.

Do Not use additional cranes to move a load that is heavier than the load rating of any single crane in use.

Do Not modify this product in any way.

Do Not use for other functions except those for which this product is intended.

Do Not remove, deface, or obscure warning labels.

Do Not allow load to swing or jerk. Operate smoothly to avoid shock loads.

Do Not lift any load that is not located directly below the crane. This product is not intended to drag a load sideways.

Do Not wrap the load with the wire rope. Use only a sling or another manufacturer-approved device.

Do Not operate without 4 anchor wraps of wire rope around the winch drum (8 anchor wraps for Dyneema based cables).

Do Not operate without assuring wire rope is securely attached to the winch drum.

Do Not extend the ratchet jack beyond its travel limits. Ratchet jack should be tested separately from the crane before use.



- Do Not** lower the boom below the horizontal position.
- Do Not** operate without checking for proper lubrication.
- Do Not** put hands in areas with moving parts such as sheaves, wire ropes, and gears.
- Do Not** lift people.
- Do Not** lift loads over people.
- Do Not** operate until personnel are warned of approaching loads and are cleared from the area.
- Do Not** leave a suspended load unattended.
- Do Not** substitute smaller diameter pins. Use only the pins supplied with the crane.
- Do Not** use chains, cables, or rigid devices to lift crane. Nylon or other synthetic slings should be used instead.



Initial Crane Inspection

Check for damage during shipment. Do not install or use a damaged product. Be sure to maintain records of product information and contact your OZ Lifting Products LLC® dealer with any problems that arise. Refer to applicable codes and regulations before installing equipment. Contact a qualified professional to obtain structure and foundation specifications for product mounting.

Before installing, select a location where the crane is:

- Visible throughout its entire operation.
- Free of traffic and any possible operational interference.
- Positioned so the operator is clear of both the load and the path of the wire rope.
- Accessible for maintenance.
- Attached to a strong, level foundation that can properly support it under all conditions.
- Removed from any corrosive, flammable, explosive, or potentially damaging materials.

Installing the Base

NOTE: The accompanying bases for the **TELE-PRO DAVIT CRANES** by OZ Lifting Products LLC® are sold separately through OZ Lifting Products LLC® dealers. They are necessary for proper operation of this product.

The base must be securely fastened to the foundation using appropriately sized coarse thread fasteners of at least grade 5. Fasteners should be torqued according to the fastener manufacturer recommendations. Not all crane bases use the same size fasteners. Each base has mounting holes that are sized for appropriate fasteners. Use the largest diameter fastener that will fit in the mounting holes. Please contact the factory with any base fastener questions.

Assure that mounting surface is located directly above a strong, level, solid foundation that supports the crane under all circumstances.

Non-standard products that have been altered from the original design may require alternative fastening requirements. Contact your OZ Lifting Products LLC® dealer for more information.

Assembling the Crane

Please refer to the Assembly Diagram on pg. 7 before assembling the crane.

The following steps outline the physical steps required to assemble the **TELE-PRO DAVIT CRANES**. Some of the cranes will be too heavy for one person to assemble themselves. Please use additional persons and/or lifting equipment to assemble crane components deemed too heavy for one individual to handle.

NOTE: Fasteners should not be over-tightened during assembly as this may strip the threads and lead to damage. The two pins marked #2 are identical. Both are necessary for assembly.

Once the OZ Lifting Products LLC® base has been installed, assemble the crane with the following steps:

1. Install the mast into the base. The mast will slide easily down into the base (no tools are necessary). Assure that the mast is properly positioned on the pin at the bottom of the base. This can be confirmed by moving the mast from side to side to check for excessive play. The mast should fit snugly. Assure that the height adjustment lug is facing towards the rear.

2. Set the boom on the mast using the Smart Latch, an OZ Lifting Products quick connection system. Make sure the orientation of the boom is correct to the mast-the winch end of the boom should be over the ratchet jack attachment point on the mast. The boom should be rotated slightly so the oblong hole can be hooked over one end of the mast top pin. Rotate the boom back to the horizontal position to engage the other end of the mast top pin.

NOTE: Releasing your grip on the boom at this point in assembly may cause the boom to swing down into the mast. This could result in injury and/or damage to the product.

3. Attach one end of the ratchet jack to the rear mounting lug on the boom. Align the holes in the ratchet jack with the hole in the mounting lug and insert clevis pin #2. Secure with a lynch pin.

4. Attach the other end of the ratchet jack to the mounting lug on the crane mast. Align the holes in the ratchet jack with the hole in the mounting lug and insert the 2nd clevis pin #2. Secure with a lynch pin.

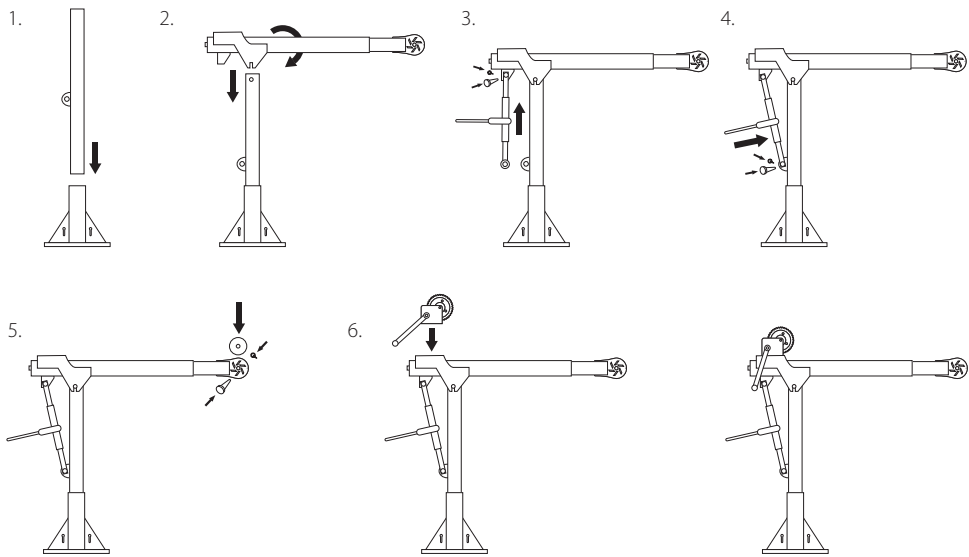
NOTE: The **TELE-PRO DAVIT CRANES** will ship from the factory partially assembled. The following steps are only for reference if the product must be reassembled.

5. Slide the sheave pulley into the boom cap from either the top or the bottom. Align the holes on the sheave pulley with those on the boom. Insert clevis pin #1 and secure with lynch pin.

6. Center the winch over the mounting holes on the top of the boom. The drum should be facing toward the sheave pulley. Secure the winch to the boom in the frontmost mounting position, or the set of three holes closest to the sheave. There are two bolt patterns on the boom. The smaller bolt pattern is for the manual winch.

NOTE: Disassembly is the reverse of the assembly. It is not necessary to fully disassemble the crane to transport it.

Assembly Diagram



NOTE: Further disassembly of the boom extension/retraction mechanism is not normally needed. If full disassembly of the inner boom components is required, please contact the factory. Any unauthorized removal of the inner boom components will void the warranty.

Installing the Cable

The OZ Lifting Products LLC® cable assembly that can be ordered with the **TELE-PRO DAVIT CRANE** by OZ Lifting Products LLC® may come with a swaged ball on one end to facilitate easy assembly. Standard bare end cable can also be used. The hardware for bare end cable installation is included. Please refer to the accompanying winch owner's manual for instructions on installing a bare end cable.

To install the OZ Lifting Products LLC® supplied cable with swaged ball end:

1. Lay the cable out on a flat surface to ensure it is not knotted or looped.
2. Locate the ball end of the cable.
3. Locate the "keyhole" in the winch drum that accepts the ball end of the cable.
4. Thread the ball end of the cable over the load sheave pulley and towards the winch. The cable retainer pin may need to be removed from the tip of the boom so the ball will pass over the sheave.
5. Insert the ball end fitting of the cable into the "keyhole" feature in the winch.
6. Ensure that the ball end of the cable slides into the slot in the "keyhole" and cannot be pulled out.
7. Manually spool at least 4 full wraps of cable onto the winch drum. There must be at least 4 full anchor wraps of cable on the winch drum at all times.
8. Install cable-retainer pin by inserting into holes at the tip of the boom.

NOTE: To ensure the maximum amount of cable can be spooled onto the winch, the cable must be neatly spooled onto the winch drum. If the cable is not spooled neatly onto the winch drum, the cable capacity will be reduced and handle effort may increase. Cable that is not spooled neatly can consume 30% more space on the winch drum, reducing cable capacity.

For Synthetic Cable: There will be a loop braided into the end to the cable. Install the cable as you would a bare end cable by placing this loop over the retainer bolt and secure with the stamped washer and lock nut.

NOTE: Dyneema based cables require 8 anchor wraps at all times

Operating the Crane

Warnings & Precautions

Operators should read and fully comprehend this entire manual and all warnings on the **TELE-PRO DAVIT CRANE** by OZ Lifting Products LLC® before beginning crane operation. If this manual is not read and followed completely, injuries and damage may occur. For questions regarding operation, please contact your OZ Lifting Products LLC® dealer.

Before operating the crane, be sure all parts are clean and properly lubricated. The crane must be in proper working condition and maintenance records must be up to date to proceed with operation. The area of operation must be clear of all flammable materials.

It is important to maintain secure footing while operating the crane. Confirm that the crane is attached securely to a strong, level, solid foundation before operation. Slowly take up a load, verifying that it is well supported and balanced before proceeding with operation.

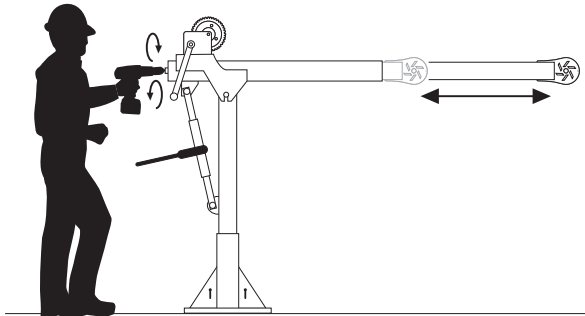
All operators MUST:

- Be trained in proper crane operation and in dealing with potential malfunctions.
- Abstain from use of alcohol, medications, or drugs while operating.
- Avoid operation while tired or distracted.
- Avoid operation if they have a history of seizures or other medical issues that may interfere with crane operation.
- Have proper coordination and vision.

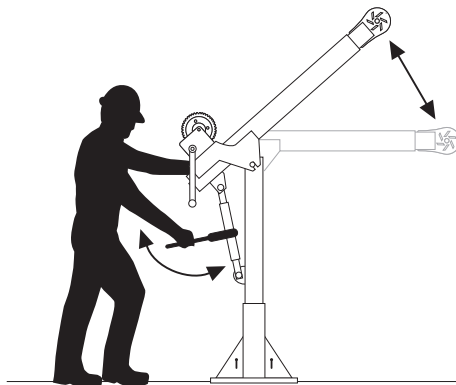


The **TELE-PRO DAVIT CRANE** by OZ Lifting Products LLC® has a unique boom which is capable of being adjusted while under load. Both the angle and extension of the boom can be changed while the crane is under load. It is the user's responsibility to make sure the crane will not be overloaded at any point during the lift. Changing the angle and/or the extension of the boom may raise or lower the crane load capacity while the lift is being performed.

The angle of the boom is adjusted by using the ratchet binder on at the rear of the crane. At no time should the ratchet binder adjusted as to lower the crane boom below horizontal. The ratchet lever on the ratchet binder switches the ratchet binder between raise and lower.



The extension of the boom is adjusted via a square drive on the rear of the boom. This square drive can be operated with either the winch handle or the supplied drill drive adapter. There are stops built into the adjustment mechanism to prevent it from being overextended in either direction. It is recommended to slowly adjust the boom extension when nearing one of these mechanical stops. Using excess force to attempt to get the boom to exceed its normal adjustment range can cause the mechanism to jam. This may need disassembly to be repaired and may void the warranty.



There are load ratings etched into both sides of the telescoping section of the boom. These load ratings are for the crane itself at various extension points. On one side of the boom are the ratings for the horizontal position. On the other side of the boom are the ratings for the plus 45 degree position. These etched ratings do not take into account the amount of cable on the winch drum. Load ratings including the effects of cable on the winch drum are included on two decals, one on each side of the crane. Make sure to use the load ratings that correspond to the boom angle being used.

Operating Guidelines

The **TELE-PRO 500** by OZ Lifting Products LLC® has a maximum operating load rating of 500 lbs.
The **TELE-PRO 1200** by OZ Lifting Products LLC® has a maximum operating load rating of 1200 lbs.
The **TELE-PRO 2500** by OZ Lifting Products LLC® has a maximum operating load rating of 2500 lbs.

The **TELE-PRO DAVIT CRANE** by OZ Lifting Products LLC® boom is capable of being adjusted while under load. This adjustment may alter the cranes lifting capacity. Double check the load rating of the crane in every operating position which will be used during the lift to make sure the crane will not be overloaded during the lift.

The **TELE-PRO DAVIT CRANE** by OZ Lifting Products LLC® is capable of generating forces that are in excess of this maximum load rating, but this should not be attempted.

NOTE: It is the responsibility of the user to ensure that the loads being handled are within the operating limits of the **TELE-PRO DAVIT CRANE** by OZ Lifting Products LLC® at all times. Shock loads must be minimized as they can lead to higher forces than the rated capacity of the **TELE-PRO DAVIT CRANE** by OZ Lifting Products LLC®.

A load rating table is provided on pg.15 as well as on both sides of the **TELE-PRO DAVIT CRANE** by OZ Lifting Products LLC® boom itself. These load ratings represent the load rating of the boom in the horizontal position as well as the 45-degree angle position. These load rating tables are calculated based on both the extension and angle of the crane's boom as well as the amount of cable spooled onto the winch drum. The amount of cable spooled onto the winch will change during a lift (especially long lifts), impacting load capacity.

NOTE: It is the responsibility of the user to determine the maximum amount of cable that will be spooled onto the winch at any given time during the lift and size the load to be lifted accordingly. The manual winch that is supplied with the **TELE-PRO DAVIT CRANE** by OZ Lifting Products LLC® has been specifically chosen to match the rating of the crane. The quick-disconnect handle on this winch has also been specifically designed to operate within the load range of the winch. The effort required to operate the winch at the maximum rated capacity will be significant. This is an intentional design feature and not a defect. The increased effort required when nearing rated capacity (at any percentage of drum capacity) is a sign that the load being lifted may be too heavy.

NOTE: Check the weight of the load being lifted and reduce the weight if necessary.

NOTE: Never attempt to adjust the angle of the boom below the horizontal position while under load. The boom should only be lowered for storage purposes.

This **TELE-PRO DAVIT CRANE** by OZ Lifting Products LLC® has a main structure made from steel. At no time should the crane itself emit any abnormal noises during use (cable may make some noise as it settles on the drum-this is normal). Any abnormal sounds are cause for removal of load and inspection. There are multiple sources for abnormal noises including, but not limited to:

- If the cable is not spooled neatly, under tension, when load is applied.
- If the crane is severely overloaded.
- If the crane has suffered severe damage from abuse and/or mishandling.

NOTE: This list is not exhaustive and does not cover all possibilities.

Cleaning & Lubricating the Crane

The **TELE-PRO DAVIT CRANE** by OZ Lifting Products LLC® should be periodically cleaned to preserve its appearance and to prevent corrosion. The **TELE-PRO DAVIT CRANE** by OZ Lifting Products LLC® will last longer and perform better when it is kept clean and lubricated.

NOTE: No solvents should be used on any parts of the **TELE-PRO DAVIT CRANE** by OZ Lifting Products LLC® for cleaning or any other purpose.

Instructions:

1. Wipe the surfaces of the crane with a wet cloth. Detergents are not necessary.
2. The steel surfaces should have a light film of oil applied to them to prevent corrosion.
NOTE: No lubricants of any kind should be applied to the brakes in the winch. If the brake pads get contaminated with oil, they may slip.
3. Remove any excess oil with a clean cloth.
4. Lubricate the bushing in the load sheave with a light coat of grease.
5. Lubricate the shaft bearing surfaces on the winch with a light coat of grease, taking care not to get any oil or grease on the brake pads of the winch.

Inspecting the Crane

In order to maintain quality operation of the product, a regular inspection schedule should be followed by each operator. All inspections should be reported and maintained in a dated record log. These records should be available to all personnel involved with the product and should be made available to OZ Lifting Products LLC® when a warranty issue is in question.

Definitions

Designated Person - The person who is selected or assigned as being competent to perform specific duties.

Qualified Person - The person that—by possession of a recognized degree or certificate of professional standing, or through extensive knowledge, training, and experience—has successfully demonstrated they are able to resolve problems relating to the subject matter and work.

Normal Service - Service that involves operation with randomly distributed loads within the rated load limit, or uniform loads less than 65% of rated load for not more than 15% of the time.

Heavy Service - Service that involves operation within the rated load limit and exceeds normal service.

Severe Service - Service that involves normal or heavy service with abnormal operating conditions. This also includes service that involves shock loading.

Inspection Classifications

Frequent Inspections - Completed by the operator or designated person. Performed by doing a visual examination and listening for unusual sounds during operation. These inspections are usually performed before each operation, every few hours during operation, and if problems arise.

Periodic Inspections - Completed by a designated person. Performed, with more detail than a frequent inspection, by doing visual examinations of internal and external conditions. These inspections are done on the following schedule:

- Normal Service - Semi-annually
- Heavy Service - Quarterly
- Severe Service - Immediately after completion of lift
- Following prolonged storage or if operation issues arise.

NOTE: Label crane as "Out of Service" if an inspection deems it damaged or if maintenance is required. Do not remove this label until a qualified person has resolved the issue. Discontinue use of wire rope and equipment if damage or overloading occurs.

Important Inspection Notes

- Brakes require more than audible and visual inspection. Check brakes daily by operating the crane with and without a load and by stopping at various positions to ensure safe operation. If the load coasts or creeps, contact the factory for friction disc replacements.
- Proper inspection may require disassembly of some parts. Contact the OZ Lifting Products LLC® factory before doing so or the applicable warranty may be voided.
- For wire rope inspections, please contact the specific manufacturer of the rope. The inspection provided in the following chart is for a general inspection only and is in no way the complete inspection required.
- Before operation, assure all deficiencies on the inspection chart are resolved and inspections are up to date. Refer to the troubleshooting chart on pg.13 for further assistance.
- Be aware of applicable codes and regulations for crane inspection.
- See specific winch owner's manual for instructions and complete inspection instructions.

Inspection Chart

NOTE: Use the following chart to determine what type of inspection is necessary. Frequent Inspection (F) and Periodic Inspection (P).

Location	Check For	F	P
Crane	Damage, cracks, rust, chipping, dents excess wear, or corrosion.	X	
	Unusual sounds	X	
	Smooth load movements	X	
	Equipment properly lubricated	X	
	Signs of overloading (cracks, dents, or damage)		X
	Proper function when operated with a load equal to the load rating		X
Foundation	Good condition/supports the crane under all conditions	X	
	Level, no swerving of boom	X	
	Cracks, corrosion, damage (check by removing crane base from foundation)		X
Fasteners (including mounting fasteners)	Firmly installed	X	
	Properly tightened	X	
	Stripped threads, bent, or damage (check by removing crane from foundation)		X
Handle	Rotates freely in both directions	X	

NOTE: Please refer to the winch owner's manual for the winch inspection chart.

Repairs

All repairs must have factory authorization. Contact OZ Lifting Products LLC® to prevent voiding of the two-year limited warranty and potential damage. Perform recommended inspections to identify which parts should be replaced. Only use OZ Lifting Products LLC® replacement parts. To order replacement parts, contact your local OZ Lifting Products LLC® dealer. Please have the serial number, part number and a description available when calling.

Troubleshooting Chart

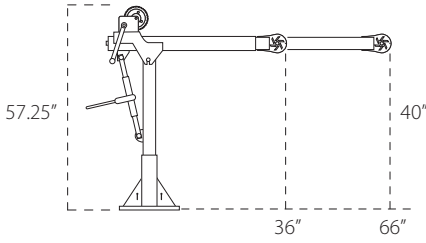
Problem	Possible Cause	Correction
Braking distance too long	Discs are worn, damaged, or over lubricated	Replace
	Disc brake ratchet pawl damaged or worn	Replace
Excess wear on gears or bearings	Overloaded	Reduce load
	Improper lubrication	Relubricate
High pitched squeak	Improper lubrication	Relubricate
Grinding noise	Poorly spooled cable, cable diving into drum	Re-spool cable evenly under tension
	Dirty brakes or gears	Clean
	Broken gears or bearings	Replace
Rattling noise	Loose bolts, screws, fasteners	Tighten
Boom turns on its own	Foundation unlevel or insecure	Repair
	Mast bent or damaged	Repair
Boom bounces	Overloaded	Reduce load and inspect crane for damage
	Loose mounting bolts	Tighten to correct torque
	Foundation unlevel or insecure	Repair
	Winch gears worn or damaged	Repair
	Sheave worn or damaged	Repair

Contact OZ Lifting Products LLC® if disassembly of the crane is required. The warranty will be voided if this is not done.

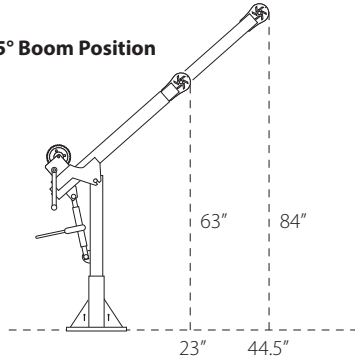
Specification

OZTP500DAV

Horizontal Boom Position

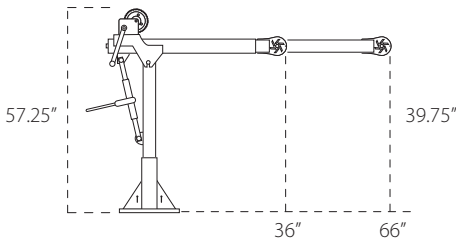


45° Boom Position

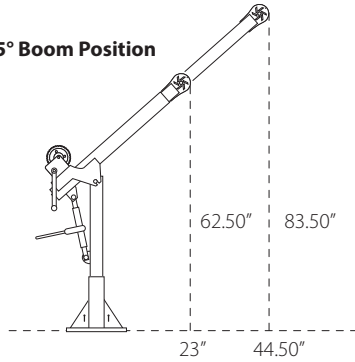


OZTP1200DAV

Horizontal Boom Position

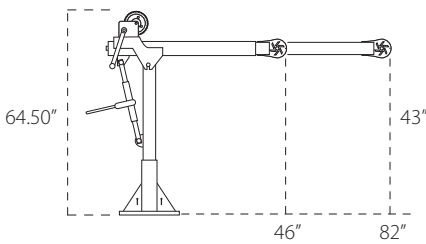


45° Boom Position

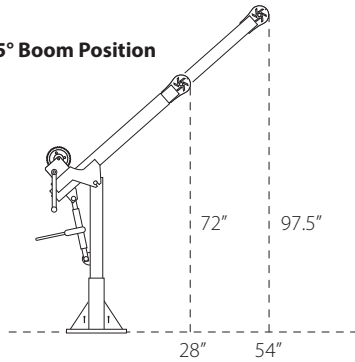


OZTP2500DAV

Horizontal Boom Position



45° Boom Position



*Dimensions are for reference only and subject to change without notice.

Load Rating

Boom is infinitely adjustable. For simplicity, ratings have been split into 4 positions.

OZTP500DAV LOAD RATINGS – Horizontal Boom Angle – Based on 3/16 inch wire rope

Load Ratings (lbs.)	1st. Layer	Mid Drum	Full Drum
Boom Position 1 at 36"	500 lbs.	500 lbs.	500 lbs.
Boom Position 2 at 46"	430 lbs.	430 lbs.	430 lbs.
Boom Position 3 at 56"	350 lbs.	350 lbs.	350 lbs.
Boom Position 4 at 66"	300 lbs.	300 lbs.	300 lbs.

OZTP500DAV LOAD RATINGS – 45° Boom Angle – Based on 3/16 inch wire rope

Load Ratings (lbs.)	1st. Layer	Mid Drum	Full Drum
Boom Position 1 at 23"	500 lbs.	500 lbs.	500 lbs.
Boom Position 2 at 30"	500 lbs.	500 lbs.	500 lbs.
Boom Position 3 at 37"	500 lbs.	500 lbs.	500 lbs.
Boom Position 4 at 44"	450 lbs.	450 lbs.	450 lbs.

OZTP1200DAV LOAD RATINGS – Horizontal Boom Angle – Based on 1/4 inch wire rope

Load Ratings (lbs.)	1st. Layer	Mid Drum	Full Drum
Boom Position 1 at 36"	1200 lbs.	875 lbs.	550 lbs.
Boom Position 2 at 46"	900 lbs.	875 lbs.	550 lbs.
Boom Position 3 at 56"	750 lbs.	750 lbs.	550 lbs.
Boom Position 4 at 66"	650 lbs.	650 lbs.	550 lbs.

OZTP1200DAV LOAD RATINGS – 45° Boom Angle – Based on 1/4 inch wire rope

Load Ratings (lbs.)	1st. Layer	Mid Drum	Full Drum
Boom Position 1 at 23"	1200 lbs.	875 lbs.	550 lbs.
Boom Position 2 at 30.25"	1200 lbs.	875 lbs.	550 lbs.
Boom Position 3 at 37.25"	1100 lbs.	875 lbs.	550 lbs.
Boom Position 4 at 44.5"	950 lbs.	875 lbs.	550 lbs.

OZTP2500DAV LOAD RATINGS – Horizontal Boom Angle – Based on 3/8 inch synthetic rope

Load Ratings (lbs.)	1st. Layer	Mid Drum	Full Drum
Boom Position 1 at 46"	2500 lbs.	2015 lbs.	1550 lbs.
Boom Position 2 at 58"	1900 lbs.	1900 lbs.	1550 lbs.
Boom Position 3 at 70"	1600 lbs.	1600 lbs.	1550 lbs.
Boom Position 4 at 82"	1300 lbs.	1300 lbs.	1300 lbs.

OZTP2500DAV LOAD RATINGS – 45° Boom Angle – Based on 3/8 inch synthetic rope

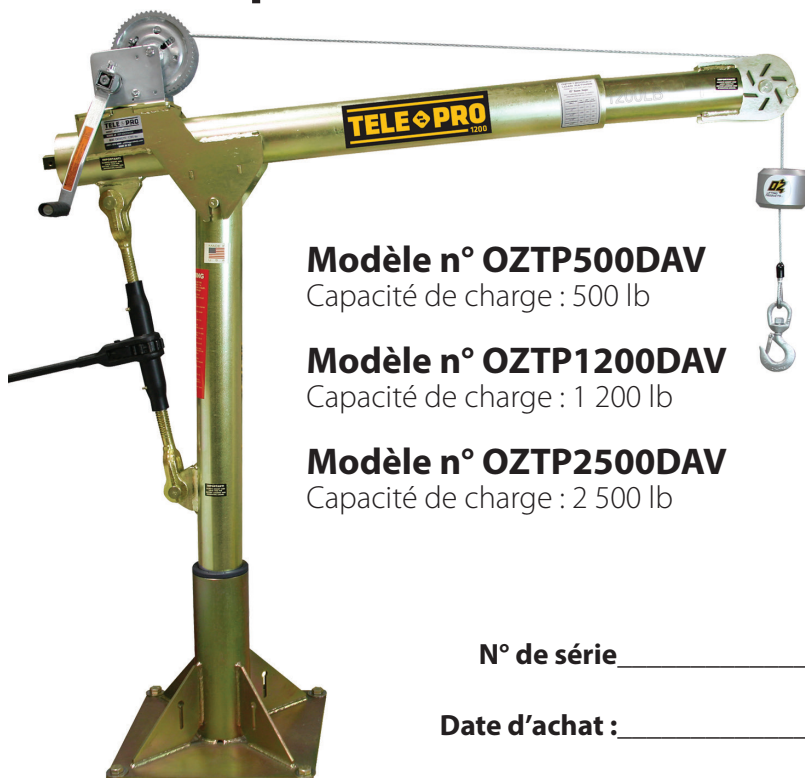
Load Ratings (lbs.)	1st. Layer	Mid Drum	Full Drum
Boom Position 1 at 28"	2500 lbs.	2015 lbs.	1550 lbs.
Boom Position 2 at 37"	2500 lbs.	2015 lbs.	1550 lbs.
Boom Position 3 at 45.5"	2500 lbs.	2015 lbs.	1550 lbs.
Boom Position 4 at 54"	2000 lbs.	2000 lbs.	1550 lbs.

IMPORTANT!

Load ratings will vary depending on wire or synthetic rope length and diameter.

TELE PRO

**GRUES DAVIT TÉLESCOPIQUES
Fabriquées aux États-Unis**



Modèle n° OZTP500DAV

Capacité de charge : 500 lb

Modèle n° OZTP1200DAV

Capacité de charge : 1 200 lb

Modèle n° OZTP2500DAV

Capacité de charge : 2 500 lb

N° de série _____

Date d'achat : _____

**Veillez lire le manuel de l'utilisateur attentivement
avant de faire fonctionner ce produit.**

Garder ce manuel accessible en tout temps.



P.O. Box 845, Winona, MN 55987

Téléphone +1 800 749-1064

507 474-6250

Soutien technique +1 507 457-3346

Télécopieur +1 507 452-5217

sales@ozliftingproducts.com

Table des matières

P. 3	Garantie limitée de deux ans
P. 4	Mesures / Avertissements de sécurité relatifs aux produits
P. 5	Inspection de la grue / Installation de la base
P. 6	Assemblage de la grue
P. 7	Diagramme d'assemblage / Installation de câble
P. 8	Fonctionnement de la grue
P. 9	Fonctionnement de la grue
P. 10	Directives de fonctionnement
P. 11	Nettoyage et lubrification de la grue
P. 12	Inspecter la grue
P. 13	Inspections / Réparations / Dépannage
P. 14	Spécifications
P. 15	Tableaux de capacités de charge



Garantie de deux ans

OZ Lifting Products LLC® garantit ce produit contre les défauts de fabrication et de conception pendant deux ans à compter de la date d'expédition.

Cette garantie ne s'applique pas aux produits indiquant qu'il y a eu abus, surcharge, altération, mauvais entretien ou négligence. L'usure normale des pièces en mouvement est exclue de la garantie. Exemples de pièces en mouvement : disques de frein, câbles métalliques et autres composants qui s'usent. Cette garantie ne couvre pas les coûts liés au retrait de ce produit, au temps perdu ou autres dommages/coûts accessoires ou consécutifs liés aux défauts contre lesquelles il y a réclamation.

Si ce produit tombe en panne dans les deux premières années pour cause de fabrication ou de conception, il sera réparé ou remplacé à la discrétion de OZ Lifting Products LLC®. Tout produit sous garantie pour lequel il y a réclamation doit être retourné prépayé à un dépôt de garantie OZ Lifting Products LLC® avec preuve d'achat. Une fois réparé, le produit sera retourné au client sans frais. S'il devait s'avérer qu'il n'y avait aucune défectuosité, les frais d'expédition de retour seront imputés au client. La garantie du produit continuera pour le reste de la période originale (deux ans à compter de la date d'expédition).

OZ Lifting Products LLC® n'est pas responsable de ce qui suit relatif à l'utilisation de ce produit : blessures ou dommages matériels, morts, dommages accessoires, consécutifs ou indirects, que ce soit par négligence ou à dessein. Il incombe exclusivement au propriétaire d'installer et de faire fonctionner le produit convenablement et sécuritairement.

Il s'agit de la seule garantie écrite de OZ Lifting Products LLC®. Cette garantie est en lieu et place de toute autre garantie qu'implique la loi, p. ex. qualité marchande ou aptitude. La vente de produits OZ Lifting Products LLC® en vertu de toute autre garantie expresse ou impliquée n'est pas autorisée.

REMARQUE : OZ Lifting Products LLC® a le droit de modifier la conception ou de discontinuer la production de tout produit sans préavis.

Pour en savoir plus, contacter :



P.O. Box 845, Winona, MN 55987

Téléphone +1 800 749-1064

507 474-6250

Soutien technique +1 507 457-3346

Télécopieur +1 507 452-5217

sales@ozliftingproducts.com

www.ozliftingproducts.com

Mesures de sécurité relatives au produit

Les renseignements que contient ce manuel ne doivent être utilisés que pour les **GRUES DAVIT TELE-PRO** de OZ Lifting Products LLC®. Ce manuel contient des instructions générales sur l'installation, le fonctionnement et l'entretien normal du produit décrit aux présentes. Vous ne devez pas prendre pour acquis que les renseignements fournis préparent l'utilisateur pour toute circonstance possible.

Ce produit ne doit pas être installé, opéré ou entretenu par quiconque n'ayant pas lu ce manuel au complet. Si vous ne lisez pas ces instructions, avertissements ou limitations ou que vous ne vous y conformez pas, il pourrait y avoir blessures, morts ou dommages matériels.

Il incombe au propriétaire/à l'utilisateur d'installer, de mettre à l'essai, d'entretenir et de faire fonctionner ces produits conformément aux règlements de l'OSHA, ainsi qu'aux autres règlements fédéraux, d'État et locaux. Seules des personnes formées et qualifiées doivent faire fonctionner et entretenir ce produit.

Inspecter régulièrement les **GRUES DAVIT TELE-PRO** de OZ Lifting Products LLC® pour déceler des signes d'usure, des étirements des trous, des fissures en surface, des gouges, des dommages ou toute condition anormale.

Les propriétaires du produit doivent planifier et conserver les dossiers des inspections régulières. Indiquer le numéro de série et la date d'achat de votre **GRUE DAVIT TELE-PRO** de OZ Lifting Products LLC® sur la couverture avant de ce manuel de référence.

Ne pas utiliser les **GRUES DAVIT TELE-PRO** de OZ Lifting Products LLC® avec d'autres équipements à moins que les dispositifs de sécurité nécessaires soient en place. Toute modification apportée à ce produit doit être autorisée par le fabricant original.

Avertissements de sécurité

Si vous ne lisez pas les avertissements suivants et que vous ne vous y conformez pas, il peut y avoir des situations dangereuses qui pourraient causer la mort, des blessures graves ou des dommages matériels. Garder ce manuel à votre portée en tout temps. Ne pas enlever, ne pas modifier ou ne pas obscurcir les étiquettes attachées au treuil. Contacter OZ Lifting Products LLC® pour des manuels et des étiquettes de rechange.

Ne pas faire fonctionner un produit endommagé ou qui ne fonctionne pas correctement.

Ne pas faire fonctionner si les dispositifs de sécurité sont mal installés ou ont été retirés.

Ne pas lever plus que la capacité de charge de la grue ou des composants qui y sont fixés.

Garder à l'esprit que la capacité de charge pourrait changer selon la position et l'extension de la flèche de la grue.

Ne pas utiliser de grues supplémentaires pour déplacer une charge qui dépasse la capacité de charge d'une seule des grues utilisées.

Ne pas modifier ce produit de quelque façon que ce soit.

Ne pas utiliser à des fins autres que celles pour lesquelles ce produit a été conçu.

Ne pas enlever, dégrader ou obscurcir les étiquettes d'avertissement.

Ne pas laisser la charge se balancer ou ne pas la secouer. Exploiter en douceur pour éviter les charges de choc.

Ne pas lever une charge qui ne se trouve pas directement sous la grue. Ce produit n'est pas conçu pour tirer une charge latéralement.

Ne pas entortiller le câble métallique autour de la charge. Utiliser une élingue ou autre appareil approuvé par le fabricant seulement.

Ne pas faire fonctionner sans que le câble métallique ait été entortillé 4 fois autour du tambour d'extrémité du treuil (8 fois pour les câbles à base de Dyneema).

Ne pas faire fonctionner sans que le câble métallique soit bien fixé au tambour d'extrémité du treuil.

Ne pas pousser sur la poignée du cric à crémaillère au-delà de sa course. Le cric à crémaillère doit être mis à l'essai séparément avant l'utilisation de la grue.



Ne pas abaisser la flèche sous l'horizontale.

Ne pas faire fonctionner sans avoir vérifié la lubrification.

Ne pas mettre vos mains là où il y a des pièces en mouvement telles que poulies, câbles métalliques et engrenages.

Ne pas lever de personnes.

Ne pas lever de charges au-dessus de personnes.

Ne pas faire fonctionner avant d'avoir averti le personnel que des charges approchent et qu'il ait eu le temps de céder la place.

Ne pas laisser une charge suspendue sans surveillance.

Ne pas utiliser des attaches de diamètre inférieur. Utiliser seulement les attaches fournies avec la grue.

Ne pas utiliser de chaînes, de câbles ou d'appareils rigides pour lever la grue. Utiliser plutôt des élingues en nylon ou autres matières synthétiques.



Inspection initiale de la grue

Vérifier s'il y a eu des dommages en cours d'expédition. Ne pas installer ou ne pas utiliser un produit endommagé. S'assurer de conserver des dossiers de renseignements sur le produit et de contacter votre concessionnaire OZ Lifting Products LLC® en cas de problème. Consulter les codes et les règlements en vigueur avant d'installer l'équipement. Contacter un professionnel qualifié quant aux spécifications de structure et de fondation avant de faire l'assemblage du produit.

Avant d'installer, sélectionner un endroit où la grue est :

- Visible tout au long de son fonctionnement.
- Sans circulation qui pourrait nuire au fonctionnement.
- Positionnée de sorte que l'opérateur soit à l'écart de la charge et du câble métallique.
- Facile à entretenir.
- Fixée sur une fondation robuste et à niveau qui peut la supporter, quelles que soient les conditions.
- À l'écart de tout matériau corrosif, inflammable, explosif ou dommageable.

Installer la base

REMARQUE : Les concessionnaires OZ Lifting Products LLC® vendent les bases des **GRUES DAVIT TELE-PRO** de OZ Lifting Products LLC® séparément. Elles sont nécessaires pour que ce produit fonctionne convenablement.

La base doit être bien fixée à la fondation au moyen de fixations à filet normal bien dimensionnées de catégorie 5 au minimum. Les fixations doivent être serrées selon les recommandations du fabricant. Chaque base de grue pourrait nécessiter des fixations de taille différente. Les trous de montage de chaque base sont dimensionnés pour des fixations appropriées. Utiliser la fixation de diamètre le plus grand pouvant rentrer dans le trou de montage. Veuillez contacter le fabricant pour toute question liée aux fixations de base.

S'assurer que la surface de montage se trouve directement sur une fondation robuste, à niveau et solide qui supportera la grue, quelles que soient les circonstances.

Les produits non standards modifiés peuvent devoir être fixés autrement que ce qu'indique la conception originale. Contacter votre concessionnaire OZ Lifting Products LLC® pour en savoir plus.

Assemblage de la grue

Veillez consulter le diagramme d'assemblage à la page 7 avant d'assembler la grue.

Les étapes suivantes présentent les étapes physiques requises pour assembler les **GRUES DAVIT TELE-PRO**. Certaines de ces grues peuvent être trop lourdes pour être assemblées par une seule personne. Veillez utiliser des personnes additionnelles et/ou des équipements de montage pour assembler des composants de grue jugés trop lourds pour la manipulation par une seule personne.

REMARQUE : Les fixations ne doivent pas être trop serrées en cours d'assemblage, car cela peut abîmer les filets et causer des dommages. Les deux attaches portant le signe « n° 2 » sont identiques. Les deux sont nécessaires pour l'assemblage.

Une fois que la base OZ Lifting Products LLC® est installée, assembler la grue en suivant les étapes suivantes :

1. Installer le mât dans la base. Le mât glissera dans la base (aucun outil requis). S'assurer que le mât est bien positionné sur l'attache au fond de la base. Cela peut être confirmé en déplaçant le mât d'un côté à l'autre pour vérifier qu'il n'y a pas trop de jeu à la base. Le mât doit être bien ajusté. S'assurer que la poignée d'ajustement de la hauteur est orientée vers l'arrière.

2. Placer la flèche sur le mât au moyen du « Smart Latch », un système de raccord rapide de OZ Lifting Products. S'assurer que l'orientation de la flèche est correcte par rapport au mât : l'extrémité treuil de la flèche doit se trouver sur le point de fixation du cric à crémaillère sur le mât. La flèche doit être tournée légèrement de sorte que le trou rectangulaire puisse être accroché à une extrémité de l'attache supérieure du mât. Remettre la flèche à l'horizontale en la tournant pour engager l'autre extrémité de l'attache supérieure du mât.

REMARQUE : Si vous lâchez la flèche à ce moment-ci, la flèche pourrait pivoter vers le bas jusque dans le mât. Vous pourriez vous blesser et/ou endommager le produit.

3. Attacher une extrémité de la poignée du cric à la poignée de montage sur la flèche. Aligner les trous dans la poignée du cric avec le trou dans la poignée de montage et insérer l'axe à épaulement n° 2. Fixer avec une cheville d'essieu.

4. Attacher l'autre extrémité de la poignée du cric à la poignée de montage sur le mât de la grue. Aligner les trous dans la poignée du cric avec le trou dans la poignée de montage et insérer le 2^e axe à épaulement n° 2. Fixer avec une cheville d'essieu.

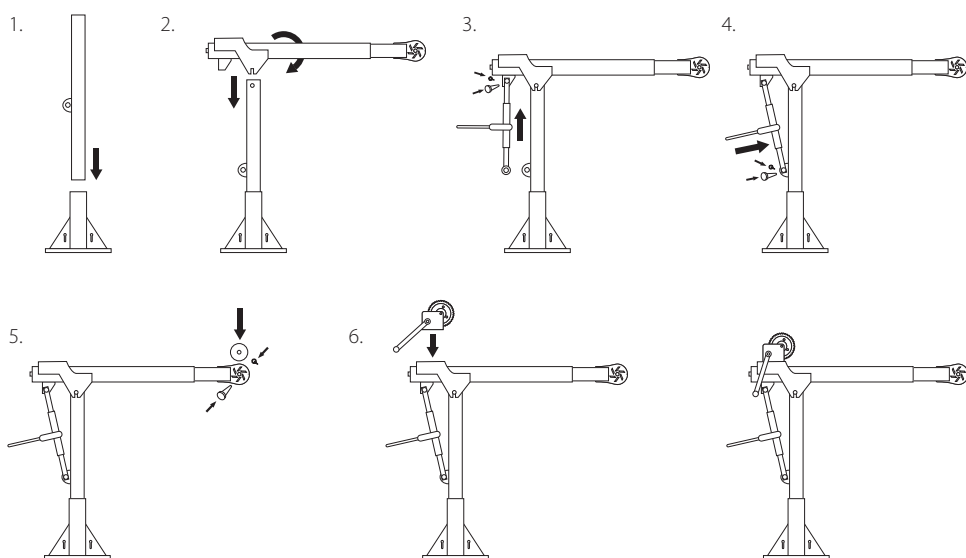
REMARQUE : Les **GRUES DAVIT TELE-PRO** sont expédiées partiellement assemblées en usine. Les étapes suivantes servent à des fins de référence seulement, au cas où le produit devrait être réassemblé.

5. Faire glisser la poulie de la noix dans le capuchon de la flèche depuis le haut ou le bas. Aligner les trous sur la poulie de la poulie avec ceux sur la flèche. Insérer l'axe à épaulement n° 1 et fixer avec une cheville d'essieu.

6. Centrer le treuil sur les trous de montage sur le dessus de la flèche. Le tambour doit être tourné vers la poulie de la poulie. Fixer le treuil à la flèche dans la position de montage la plus avancée ou dans l'ensemble de trois trous les plus proches de la poulie. Il y a deux motifs de boulons sur la flèche. Le plus petit est pour le treuil à bras.

REMARQUE : Le désassemblage est l'inverse de l'assemblage. Il n'est pas nécessaire de désassembler complètement la grue pour la transporter.

Diagramme d'assemblage



REMARQUE : Il n'est pas normalement nécessaire de désassembler davantage le mécanisme de rétractation/d'extension de la flèche. S'il est nécessaire de désassembler complètement les composants internes de la flèche, veuillez contacter le fabricant. Tout retrait non autorisé des composants internes de la flèche annulera la garantie.

Installer le câble

L'assemblage des câbles OZ Lifting Products LLC® qui peut être commandé avec la **GRUE DAVIT TELE-PRO** de OZ Lifting Products LLC® compte un boulet estampé pour en faciliter l'assemblage. Il est également possible d'utiliser un câble dénudé standard. Le matériel pour installer le câble dénudé est inclus. Veuillez consulter le manuel du propriétaire du treuil annexé pour les instructions d'installation du câble dénudé.

Pour installer le câble fourni par OZ Lifting Products LLC® avec l'extrémité à boulet estampé :

1. Étendre le câble sur une surface plane pour vous assurer qu'il n'y a pas de tortillons ou de boucles.
2. Repérer l'extrémité du câble où se trouve le boulet.
3. Repérer « l'ouverture » dans le tambour d'extrémité du treuil où sera logé l'extrémité à boulet du câble.
4. Insérer l'extrémité à boulet du câble dans la poulie de la noix de levage et le tirer vers le treuil. La goupille de retenue de câble pourrait devoir être retirée de l'extrémité de la flèche pour que le boulet passe par-dessus la poulie.
5. Insérer le raccord de l'extrémité à boulet dans « l'ouverture » du treuil.
6. S'assurer que l'extrémité à boulet du câble glisse dans la fente de « l'ouverture » et qu'on ne peut pas le retirer.
7. Enrouler manuellement le câble autour du tambour d'extrémité du treuil au moins 4 fois. Le câble doit être enroulé au moins 4 fois autour du tambour d'extrémité du treuil en tout temps.
8. Installer l'attache de retenue de câble en l'insérant dans les trous à la pointe de la flèche.

REMARQUE : Pour s'assurer de pouvoir enrouler autant de câble qu'il faut sur le treuil, le câble doit être bien enroulé autour du tambour d'extrémité du treuil. S'il n'est pas possible de bien enrouler le câble autour du tambour d'extrémité du treuil, la capacité du câble sera réduite et plus de force devra être exercée sur la poignée. Si le câble n'est pas bien enroulé, il peut prendre 30 % plus d'espace sur le tambour d'extrémité du treuil, réduisant ainsi la capacité du câble.

Pour le câble synthétique : Il y aura une boucle tressée dans chaque extrémité du câble. Installer le câble de la même façon qu'un câble dénudé en plaçant cette boucle sur le boulon de retenue et fixer avec la rondelle estampée et l'écrou auto-freiné.

REMARQUE : Des câbles à base de Dyneema doivent être enroulés 8 fois en tout temps

Fonctionnement de la grue

Avertissements et mesures de sécurité

Les opérateurs doivent lire complètement et comprendre tout ce manuel, ainsi que tous les avertissements sur la **GRUE DAVIT TELE-PRO** de OZ Lifting Products LLC®, avant de la faire fonctionner. Si on ne lit pas ce manuel et qu'on ne s'y conforme pas, il pourrait y avoir blessures et dommages. Pour toute question liée aux fonctionnements, veuillez contacter votre concessionnaire OZ Lifting Products LLC®.

Avant de faire fonctionner la grue, s'assurer que toutes les pièces sont propres et bien lubrifiées. La grue doit être en bon état et les dossiers d'entretien doivent être à jour avant de la faire fonctionner. La zone de fonctionnement ne doit contenir aucune matière inflammable.

Vous devez rester équilibré pendant que vous faites fonctionner la grue. S'assurer que la grue est bien fixée à une fondation robuste, à niveau et solide avant de la faire fonctionner. Lever une charge graduellement, vous assurant qu'elle est bien supportée et équilibrée avant de continuer.

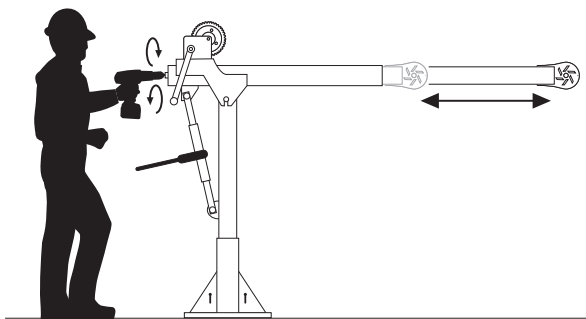
Tous les opérateurs DOIVENT :

- Être formés quant au bon fonctionnement de la grue et à la prise en charge des défaillances potentielles.
- Ne pas utiliser d'alcool, de médicaments ou de drogues pendant le fonctionnement de la grue.
- Éviter le fonctionnement en cas de fatigue ou de distraction.
- Éviter le fonctionnement si l'opérateur a un historique de crises ou autres troubles médicaux qui risquent de nuire au fonctionnement de la grue.
- Avoir une bonne vision et une bonne coordination.

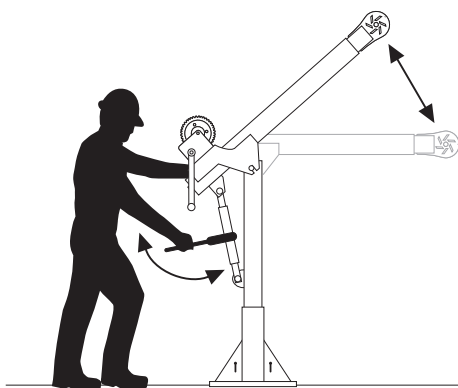


La **GRUE DAVIT TELE-PRO** de OZ Lifting Products LLC® est dotée d'une flèche unique pouvant être réglée pendant qu'elle est chargée. L'extension et l'angle de la flèche peuvent être changés pendant que la grue est chargée. C'est la responsabilité de l'utilisateur de s'assurer que la grue n'est jamais surchargée pendant la levée. Le changement de l'angle et/ou de l'extension de la flèche pourrait augmenter ou réduire la capacité de charge pendant la levée.

L'angle de la flèche est ajusté en utilisant le tendeur à chaîne à rochet à l'arrière de la grue. Le tendeur à chaîne à rochet ne doit jamais être ajusté de façon à abaisser la flèche de la grue sous l'horizontale. Le levier du disque à rochet sur le tendeur à chaîne à rochet permet à celui-ci de passer entre les positions « lever » et « abaisser ».



L'extension de la flèche est réglée via un carré d'entraînement à l'arrière de la grue. Le carré d'entraînement peut être actionné à l'aide d'une manivelle de treuil ou de l'adaptateur de l'entraînement de perçage fourni. Des butées sont intégrées dans le mécanisme d'ajustement pour prévenir un étirement excessif dans l'une ou l'autre direction. Il est recommandé de régler l'extension de la flèche lentement lorsqu'on s'approche de l'une de ces butées. Le mécanisme pourrait bloquer si une force excessive est utilisée pour forcer la flèche de dépasser la plage de réglage normale. Pour réparer ce blocage, un désassemblage pourrait être requis, ce qui pourrait annuler la garantie.



Des capacités de charge sont marquées sur les deux côtés de la section télescopique de la flèche. Ces capacités de charge sont pour la grue elle-même aux différents points d'extension. Sur un côté de la flèche se trouvent les capacités pour la position horizontale. Sur l'autre côté de la flèche se trouvent les capacités pour la position de 45 degrés. Ces capacités marquées ne prennent pas en compte la quantité de câble sur le tambour du treuil. Les capacités de charge, notamment les effets de câble sur le tambour du treuil, sont inclus sur deux autocollants, un sur chaque côté de la grue. Veuillez vous assurer d'utiliser les capacités de charge correspondant à l'angle de la flèche utilisé.

Directives de fonctionnement

La grue **TELE-PRO 500** de OZ Lifting Products LLC® compte une capacité de charge de 500 lb.

La grue **TELE-PRO 1200** de OZ Lifting Products LLC® compte une capacité de charge de 1 200 lb.

La grue **TELE-PRO 2500** de OZ Lifting Products LLC® compte une capacité de charge de 2 500 lb.

La **GRUE DAVIT TELE-PRO** de OZ Lifting Products LLC® est dotée d'une flèche pouvant être réglée pendant qu'elle est chargée. Cet ajustement pourrait modifier la capacité de charge des grues. Révérifier la capacité de charge de la grue dans chaque position de fonctionnement qui sera utilisée pendant le levage pour s'assurer que la grue ne sera pas surchargée.

La **GRUE DAVIT TELE-PRO** de OZ Lifting Products LLC® peut produire une puissance supérieure à cette capacité de charge, mais vous ne devez jamais vous en servir.

REMARQUE : Il incombe à l'utilisateur de s'assurer que les charges levées respectent les limites de fonctionnement de la **GRUE DAVIT TELE-PRO** de OZ Lifting Products LLC® en tout temps. Les charges de choc doivent être minimisées vu qu'elles peuvent exiger des puissances au-delà de la capacité de charge de la **GRUE DAVIT TELE-PRO** de OZ Lifting Products LLC®.

Un tableau des capacités de charge se trouve à la p. 15, ainsi que sur les deux côtés de la **GRUE DAVIT TELE-PRO** de OZ Lifting Products LLC® elle-même. Ces capacités de charge représentent la capacité de charge de la flèche dans la position horizontale ainsi que dans la position de 45 degrés. Ces tableaux de charge sont calculés en fonction de l'extension de la flèche de la grue ainsi que de la quantité de câble enroulé autour du tambour d'extrémité du treuil. La quantité de câble enroulé sur le treuil durant un levage va changer (surtout un levage long) et aura un impact sur la capacité de charge.

REMARQUE : Il incombe à l'utilisateur de déterminer la longueur de câble qui peut être enroulé sur le treuil à tout moment du levage et le poids de la charge correspondante. Le treuil à bras fourni avec la **GRUE DAVIT TELE-PRO** de OZ Lifting Products LLC® a été choisi en fonction de la capacité de charge de la grue. La poignée à déconnexion rapide de ce treuil a été conçue elle aussi pour fonctionner en fonction de la capacité de charge du treuil. L'effort requis pour faire fonctionner le treuil à sa capacité de charge maximum est substantiel. Il s'agit d'une caractéristique voulue et non d'une déféctuosité. L'effort supplémentaire requis à l'approche de la capacité de charge (quel que soit le pourcentage de la capacité du tambour) est signe que la charge est peut-être trop lourde.

REMARQUE : Vérifier le poids de la charge que vous levez et le réduire, au besoin.

REMARQUE : Ne jamais tenter d'ajuster l'angle de la flèche sous l'horizontale quand elle est chargée. La flèche ne doit être baissée que lorsqu'on la range.

Cette **GRUE DAVIT TELE-PRO** de OZ Lifting Products LLC® compte une structure principale en acier. La grue ne doit jamais émettre des sons anormaux pendant son utilisation (il est normal par contre que le câble fasse un peu de bruit lorsqu'il se fixe au tambour). Si vous entendez des bruits anormaux, retirer la charge et faire une inspection. Les sources de bruits anormaux sont nombreuses, dont :

- Le câble n'est pas bien enroulé, sous tension, lorsque la charge est levée.
- La grue est sévèrement surchargée.
- La grue a été sévèrement endommagée après abus et/ou mésusage.

REMARQUE : Cette liste n'est pas exhaustive et ne couvre pas toutes les possibilités.

Nettoyage et lubrification de la grue

Il faut nettoyer la **GRUE DAVIT TELE-PRO** de OZ Lifting Products LLC® périodiquement pour conserver son apparence et pour prévenir la corrosion. La durée de vie de la **GRUE DAVIT TELE-PRO** de OZ Lifting Products LLC® sera plus longue et elle fonctionnera mieux si vous la gardez propre et lubrifiée.

REMARQUE : Aucun solvant ne doit être utilisé sur quelque pièce que ce soit de la **GRUE DAVIT TELE-PRO** de OZ Lifting Products LLC® pour la nettoyer ou pour quelque autre raison que ce soit.

Instructions :

1. Essuyer les surfaces de la grue avec un linge humide. Aucun détergent requis.
2. Il doit y avoir une pellicule mince d'huile sur les surfaces en acier pour éviter la corrosion.
REMARQUE : Aucune lubrification ne doit être appliquée aux freins ou au treuil. Si les patins de freinage deviennent contaminés d'huile, ils peuvent glisser.
3. Enlever toute huile excédentaire avec un linge propre.
4. Appliquer une couche mince de graisse sur le palier de la poulie de levage.
5. Appliquer une couche mince de graisse sur les surfaces du palier d'extrémité, en prenant soin que les patins de freinage ne soient pas contaminés d'huile ou de graisse.

Inspecter la grue

Pour que la qualité de fonctionnement du produit soit bonne, l'opérateur doit faire inspecter le produit régulièrement. Toutes les inspections doivent être consignées et conservées dans un journal. Ces dossiers doivent être accessibles à tout le personnel qui utilise le produit et à OZ Lifting Products LLC® lorsqu'il y a un problème lié à la garantie.

Définitions

Personne désignée – une personne sélectionnée ou affectée qui est en mesure d'exécuter les tâches spécifiques.

Personne qualifiée – une personne qui possède un diplôme ou certificat de compétence professionnelle reconnu ou qui, grâce à ses connaissances, à sa formation et à son expérience exhaustives, a démontré avec succès qu'elle peut résoudre les problèmes liés à la matière et au travail.

Service normal – fonctionnement avec des charges distribuées aléatoirement à l'intérieur de la limite de charge nominale ou des charges uniformes de moins de 65 % de la capacité de charge au plus 15 % du temps.

Service lourd – fonctionnement à l'intérieur de la limite de charge nominale au-delà du service normal.

Service rigoureux – service normal ou lourd dans des conditions de fonctionnement anormales. Charges de choc incluses.

Classifications d'inspection

Inspections fréquentes – effectuées par l'opérateur ou la personne désignée. Effectuées en faisant des examens visuels et en écoutant des sons inusités en cours de fonctionnement. Ces inspections, en règle générale, sont effectuées avant chaque utilisation, plusieurs fois en cours d'utilisation et lorsque des problèmes surviennent.

Inspections périodiques – effectuées par une personne désignée. Plus détaillées qu'une inspection fréquente en examinant visuellement les conditions internes et externes. Ces inspections se font selon l'horaire suivant :

- Service normal – deux fois par année
- Service lourd – à chaque trimestre
- Service rigoureux – après chaque levage
- Après rangement prolongé ou s'il y a eu problème en cours de levage.

REMARQUE : Indiquer que la grue est « en panne » si une inspection détermine qu'elle est endommagée ou qu'elle doit être réparée. Ne pas retirer cette étiquette jusqu'à ce qu'une personne qualifiée ait résolu le problème. Ne pas utiliser des câbles métalliques et de l'équipement s'il y a eu dommages ou surcharge.

Remarques importantes liées aux inspections

- Les freins requièrent une inspection non seulement audible et visuelle. Les vérifier tous les jours en faisant fonctionner la grue avec et sans charge, vous arrêtant dans diverses positions pour garantir qu'ils fonctionnent bien. Si la charge se déplace, contacter l'usine pour remplacer les disques de friction.
- Il se peut que vous deviez désassembler certaines pièces pour les bien inspecter. Contacter l'usine de OZ Lifting Products LLC® avant de ce faire pour ne pas rendre votre garantie nulle et non avenue.
- Pour inspecter les câbles métalliques, veuillez contacter le fabricant du câble. L'inspection indiquée dans le tableau suivant est générale et non l'inspection complète requise.
- Avant utilisation, s'assurer que tous les défauts indiqués dans le tableau d'inspection ont été résolus et que les inspections sont à jour. Consulter le tableau de dépannage à la page 13 pour en savoir plus.
- Connaître les codes et les règlements en vigueur en matière d'inspection des grues.
- Consulter le manuel du propriétaire du treuil spécifique pour les instructions et les instructions d'inspection complètes.

Tableau d'inspection

REMARQUE : Utiliser le tableau suivant pour déterminer quel type d'inspection effectuer. Inspection fréquente (F) et inspection périodique (P).

Emplacement	Vérifier s'il y a	F	P
Grue	Dommages, fissures, rouille, écaillage, bosses, usure excessive ou corrosion.	X	
	Bruits inhabituels	X	
	Mouvements de chargement régulier	X	
	Bonne lubrification	X	
	Signes de surcharge (fissures, bosses ou dommages)		X
	Fonctionnement régulier avec charge égale à la capacité de charge		X
Fondation	Bon état/supporte la grue, quelles que soient les conditions	X	
	À niveau, la flèche ne se balance pas	X	
	Fissures, corrosion, dommages (retirer la base de la grue de la fondation)		X
Fixations (y compris fixations de montage)	Bonne installation	X	
	Bon serrage	X	
	Filets abîmés, pliage ou dommages (retirer la base de la grue de la fondation)		X
Poignée	Tourne librement dans l'un et l'autre sens	X	

REMARQUE : Veuillez consulter le manuel du propriétaire du treuil pour le tableau d'inspection du treuil.

Réparations

L'usine doit autoriser toutes les réparations. Contacter OZ Lifting Products LLC® pour ne pas rendre votre garantie limitée de deux ans nulle et non avenue et ne pas causer des dommages. Effectuer les inspections recommandées pour déterminer les pièces à remplacer. Utiliser seulement des pièces de rechange provenant de OZ Lifting Products LLC®. Pour commander des pièces de rechange, communiquer avec votre concessionnaire OZ Lifting Products LLC® local. Veuillez avoir le numéro de série, le numéro de pièce et une description à votre portée lorsque vous appelez.

Tableau de dépannage

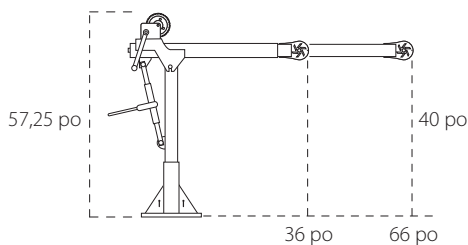
Problème	Cause possible	Correction
Distance de freinage excessive	Disques usés, endommagés ou surlubrifiés	Remplacer
	Cliquet à rochet de frein à disque endommagé ou usé	Remplacer
Usure excessive des engrenages ou des roulements	Surcharge	Réduire la charge
	Mauvaise lubrification	Relubrifier
Grincement aigu	Mauvaise lubrification	Relubrifier
Bruit de grincement	Câble mal enroulé, câble qui plonge dans le tambour	Rembobiner le câble également sous tension
	Freins ou engrenages sales	Nettoyer
	Engrenages ou roulements brisés	Remplacer
Cliquetis	Boulons, écrous, fixations desserrés	Serrer
La flèche pivote d'elle-même	Fondation non à niveau ou non sécuritaire	Réparer
	Mât plié ou endommagé	Réparer
La flèche rebondit	Surcharge	Réduire la charge et inspecter la grue pour déceler des dommages
	Boulons de montage desserrés	Serrer pour corriger le couple
	Fondation non à niveau ou non sécuritaire	Réparer
	Engrenages du treuil usés ou endommagés	Réparer
	Poulie usée ou endommagée	Réparer

Contactez OZ Lifting Products LLC® si vous devez désassembler la grue. Dans le cas contraire, la garantie sera rendue nulle et non avenue.

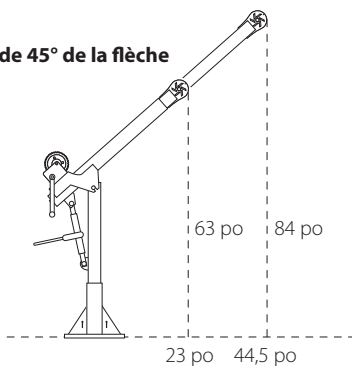
Spécifications

OZTP500DAV

Position horizontale de la flèche

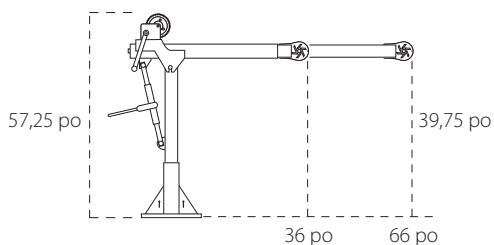


Position de 45° de la flèche

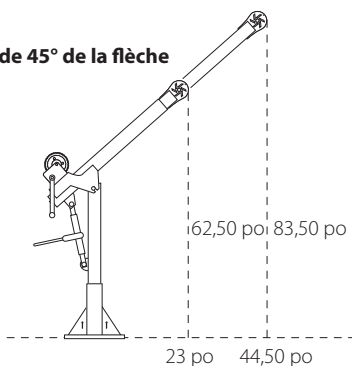


OZTP1200DAV

Position horizontale de la flèche

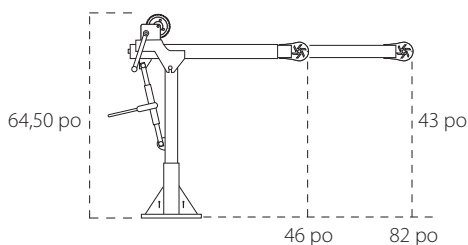


Position de 45° de la flèche

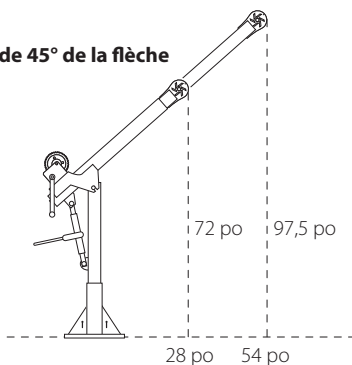


OZTP2500DAV

Position horizontale de la flèche



Position de 45° de la flèche



*Les dimensions sont à des fins de référence seulement et peuvent changer sans préavis.

Capacité de charge

La flèche est ajustable à l'infini. Pour des raisons de simplicité, les capacités ont été divisées en 4 positions.

CAPACITÉS DE CHARGE DU MODÈLE OZTP500DAV - Angle de la flèche en position horizontale - basées sur le câble métallique de 3/16 po

Capacités de charge (lb)	1ère couche	Tambour moyen	Tambour plein
Position 1 de la flèche à 36 po	500 lb	500 lb	500 lb
Position 2 de la flèche à 46 po	430 lb	430 lb	430 lb
Position 3 de la flèche à 56 po	350 lb	350 lb	350 lb
Position 4 de la flèche à 66 po	300 lb	300 lb	300 lb

CAPACITÉS DE CHARGE DU MODÈLE OZTP500DAV - Angle de la flèche en position de 45° - basées sur le câble métallique de 3/16 po

Capacités de charge (lb)	1ère couche	Tambour moyen	Tambour plein
Position 1 de la flèche à 23 po	500 lb	500 lb	500 lb
Position 2 de la flèche à 30 po	500 lb	500 lb	500 lb
Position 3 de la flèche à 37 po	500 lb	500 lb	500 lb
Position 4 de la flèche à 44 po	450 lb	450 lb	450 lb

CAPACITÉS DE CHARGE DU MODÈLE OZTP1200DAV - Angle de la flèche en position horizontale - basées sur le câble métallique de 1/4 po

Capacités de charge (lb)	1ère couche	Tambour moyen	Tambour plein
Position 1 de la flèche à 36 po	1 200 lb	875 lb	550 lb
Position 2 de la flèche à 46 po	900 lb	875 lb	550 lb
Position 3 de la flèche à 56 po	750 lb	750 lb	550 lb
Position 4 de la flèche à 66 po	650 lb	650 lb	550 lb

CAPACITÉS DE CHARGE DU MODÈLE OZTP1200DAV - Angle de la flèche en position de 45° - basées sur le câble métallique de 1/4 po

Capacités de charge (lb)	1ère couche	Tambour moyen	Tambour plein
Position 1 de la flèche à 23 po	1 200 lb	875 lb	550 lb
Position 2 de la flèche à 30,25 po	1 200 lb	875 lb	550 lb
Position 3 de la flèche à 37,25 po	1 100 lb	875 lb	550 lb
Position 4 de la flèche à 44,5 po	950 lb	875 lb	550 lb

CAPACITÉS DE CHARGE DU MODÈLE OZTP2500DAV - Angle de la flèche en position horizontale - basées sur le câble synthétique de 3/8 po

Capacités de charge (lb)	1ère couche	Tambour moyen	Tambour plein
Position 1 de la flèche à 46 po	2 500 lb	2 015 lb	1 550 lb
Position 2 de la flèche à 58 po	1 900 lb	1 900 lb	1 550 lb
Position 3 de la flèche à 70 po	1 600 lb	1 600 lb	1 550 lb
Position 4 de la flèche à 82 po	1 300 lb	1 300 lb	1 300 lb

CAPACITÉS DE CHARGE DU MODÈLE OZTP2500DAV - Angle de la flèche en position de 45° - basées sur le câble synthétique de 3/8 po

Capacités de charge (lb)	1ère couche	Tambour moyen	Tambour plein
Position 1 de la flèche à 28 po	2 500 lb	2 015 lb	1 550 lb
Position 2 de la flèche à 37 po	2 500 lb	2 015 lb	1 550 lb
Position 3 de la flèche à 45,5 po	2 500 lb	2 015 lb	1 550 lb
Position 4 de la flèche à 54 po	2 000 lb	2 000 lb	1 550 lb

IMPORTANT!

Les capacités de charge varient selon la longueur et le diamètre du câble métallique ou synthétique.

MANUAL DEL OPERADOR - ES



GRÚAS PESCANTE TELESCÓPICA Hecho en los EE. UU.



Modelo# OZTP500DAV

Carga de trabajo: 500 lbs.

Modelo# OZTP1200DAV

Carga de trabajo: 1200 lbs.

Modelo# OZTP2500DAV

Carga de trabajo: 2500 lbs.

Serie # _____

Fecha de compra: _____

**Lea atentamente el Manual del operador antes de utilizar este producto.
Mantenga este manual disponible en todo momento.**



P.O. Box 845, Winona, MN 55987
Teléfono (800) 749-1064
(507) 474-6250
Apoyo técnico (507) 457-3346
Fax (507) 452-5217
sales@ozliftingproducts.com

ozliftingproducts.com

Tabla de contenido

Pg. 3Garantía de dos años
Pg. 4Precauciones / Advertencias
Pg. 5Inspección inicial de grúas / Instalación de la base
Pg. 6Ensamblaje de la grúa
Pg. 7Diagrama de ensamblaje / Instalación del cable
Pg. 8Operación de la grúa
Pg. 9Operación de la grúa
Pg. 10Pautas operativas
Pg. 11Limpieza y lubricación de la grúa
Pg. 12Inspección de la grúa
Pg. 13Inspecciones / Reparaciones / Solución de problemas
Pg. 14Especificación
Pg. 15Capacidad de carga



Garantía de dos años

OZ Lifting Products LLC® garantiza que este producto estará libre de defectos en materiales y mano de obra durante dos años a partir de la fecha de envío.

Esta garantía no se aplica a productos que muestran signos de mal uso, sobrecarga, alteración, mantenimiento incorrecto o negligencia. El desgaste normal de las piezas móviles está excluido de la garantía. Las partes móviles se definen como discos de freno, cable metálico y otros componentes de desgaste sujetos a condiciones de uso. Esta garantía no cubre ningún costo relacionado con la eliminación de este producto, el tiempo perdido o cualquier otro daño / costo incidental o consecuente que resulte de los defectos reclamados.

Si este producto falla durante los dos primeros años de funcionamiento debido a materiales o mano de obra defectuosos, será reparado o reemplazado a discreción de OZ Lifting Products LLC®. Cualquier producto sujeto a un reclamo de garantía debe devolverse, prepago, a un distribuidor autorizado de OZ Lifting Products LLC® junto con el comprobante de compra. Tras la reparación, el producto será devuelto al cliente de forma gratuita. Si no se encuentra ningún defecto, el cliente será responsable de los costos de envío de devolución. La garantía del producto será efectiva por el resto del período de garantía original (dos años a partir de la fecha de envío).

OZ Lifting Products LLC® no se hace responsable de lo siguiente que surja del uso de este producto: lesiones a personas o bienes, muerte, daños incidentales, consecuentes o contingentes, ya sean negligentes o deliberados. Es responsabilidad exclusiva del propietario instalar y operar el producto de manera adecuada y segura.

Esta es la única garantía escrita de OZ Lifting Products LLC®. Esta garantía reemplaza a todas las demás garantías implícitas por ley, como la comerciabilidad y la aptitud. La venta de productos de OZ Lifting Products LLC® bajo cualquier otra garantía, expresa o implícita, no está autorizada.

NOTA: OZ Lifting Products LLC® tiene el derecho de alterar el diseño o suspender la producción de cualquier producto sin previo aviso.

Para obtener más información, póngase en contacto:



P.O. Box 845, Winona, MN 55987
Teléfono (800) 749-1064
(507) 474-6250
Apoyo técnico (507) 457-3346
Fax (507) 452-5217
sales@ozliftingproducts.com
www.ozliftingproducts.com

Precauciones

La información de este manual debe usarse solo para la grúa pescante **TELE-PRO** de OZ Lifting Products LLC®. Este manual contiene instrucciones generales para la instalación, operación y mantenimiento normales del producto descrito aquí. No debe esperarse que la información proporcionada prepare al usuario para todas las circunstancias posibles.

Este producto no debe ser instalado, operado o mantenido por ninguna persona que no haya leído todo el contenido de este manual. No leer y cumplir con estas instrucciones, advertencias o limitaciones puede provocar lesiones corporales, muerte o daños a la propiedad.

Es responsabilidad del propietario / usuario instalar, probar, mantener y operar este producto de acuerdo con las regulaciones de OSHA, así como con todas las demás regulaciones federales, estatales y locales. Solo personal capacitado y calificado deberá operar y mantener este producto.

Inspeccione regularmente la grúa pescante **TELE-PRO** de OZ Lifting Products LLC® en busca de signos de desgaste, alargamiento de agujeros, grietas en la superficie, gubias, daños o cualquier condición anormal.

Los propietarios de los productos deben programar y mantener un registro de inspección y mantenimiento regulares. Registre su número de serie y la fecha de compra de la grúa pescante **TELE-PRO** de OZ Lifting Products LLC® en la portada de este manual como referencia.

No use la grúa pescante **TELE-PRO** de OZ Lifting Products LLC® junto con otros equipos a menos que se encuentren los dispositivos de seguridad necesarios. Las modificaciones a este producto solo deben ser autorizadas por el fabricante original.

Advertencias

No leer y cumplir con las siguientes advertencias puede provocar una situación peligrosa que podría provocar la muerte, lesiones graves o daños a la propiedad. Mantenga este manual cerca del equipo en todo momento. No quite, altere ni oculte las etiquetas adheridas al producto. Póngase en contacto con OZ Lifting Products LLC® para obtener manuales y etiquetas de reemplazo.

No opere un producto dañado o que funcione mal.

No opere si las protecciones han sido quitadas o instaladas incorrectamente

No levante más de la carga nominal de la grúa o sus componentes adjuntos.

Tenga en cuenta que la capacidad de carga puede cambiar según la posición y la extensión de la pluma de la grúa.

No use grúas adicionales para mover una carga que sea más pesada que la capacidad de carga de cualquier grúa en uso.

No modifique este producto de ninguna manera.

No lo use para otras funciones excepto aquellas para las que está destinado este producto.

No quite, desfigura ni oculte las etiquetas de advertencia.

No permita que la carga se balancee o se mueva. Opere suavemente para evitar cargas de choque.

No levante ninguna carga que no esté ubicada directamente debajo de la grúa. Este producto no está diseñado para arrastrar una carga hacia los lados.

No envuelva la carga con el cable metálico. Use solo una eslinga u otro dispositivo aprobado por el fabricante.

No opere sin 4 vueltas de cable de anclaje alrededor del tambor del cabrestante. (8 vueltas para cables Dyneema).

No opere sin asegurarse de que el cable esté bien sujeto al tambor del cabrestante.

No extienda el gato de trinquete más allá de sus límites de recorrido. El gato de trinquete debe probarse por separado de la grúa antes de su uso.



- No** baje la pluma más de la posición horizontal.
- No** opere sin verificar por lubricación adecuada.
- No** coloque las manos en áreas con partes móviles como roldanas, cables y engranajes.
- No** levantar personas.
- No** levante cargas sobre las personas.
- No** opere hasta que se advierta al personal sobre las cargas que se aproximan y se retiren del área.
- No** deje una carga suspendida desatendida.
- No** sustituya pasadores de menor diámetro. Use solo los pasadores suministrados con la grúa.
- No** use cadenas, cables o dispositivos rígidos para levantar la grúa. Nylon u otras eslingas sintéticas deben usarse en su lugar.



Inspección inicial de la grúa

Chequee por daños ocurridos durante el envío. No instale ni use un producto dañado. Asegúrese de mantener registros de la información del producto y comuníquese con su distribuidor OZ Lifting Products LLC® por cualquier problema que surja. Consulte los códigos y reglamentos aplicables antes de instalar el equipo. Póngase en contacto con un profesional calificado para obtener las especificaciones de estructura y base para el montaje del producto.

Antes de instalar, seleccione una ubicación donde la grúa esté:

- Visible durante toda su operación.
- Libre de tráfico y cualquier posible interferencia operativa.
- Posicionado de manera que el operador esté libre tanto de la carga como del recorrido del cable metálico.
- Accesible para mantenimiento.
- Unida a una base sólida y nivelada que puede soportarla adecuadamente en todas las condiciones.
- Retirada de cualquier material corrosivo, inflamable, explosivo o potencialmente dañino.

Instalación de la base

NOTA: La base que acompaña a la grúa pescante **TELE-PRO** se vende por separado a través de los distribuidores de OZ Lifting Products LLC®. Es necesario para el correcto funcionamiento de este producto.

La base debe estar bien sujeta a la superficie de montaje con sujetadores de rosca gruesa de al menos grado 5. Los sujetadores se deben apretar según las recomendaciones del fabricante del sujetador. No todas las bases de grúas usan sujetadores del mismo tamaño. Cada base tiene orificios de montaje del tamaño adecuado para los sujetadores adecuados. Use el sujetador de mayor diámetro que se ajuste a los orificios de montaje. Comuníquese con la fábrica si tiene alguna pregunta sobre el sujetador de base.

Asegúrese de que la superficie de montaje esté ubicada directamente sobre una base fuerte, nivelada y sólida que soporte la grúa en todas las circunstancias.

Los productos no estándar que han sido alterados del diseño original pueden tener requisitos de fijación adicionales. Póngase en contacto con su distribuidor OZ Lifting Products LLC® para obtener más información.

Ensamblaje de la grúa

Consulte el Diagrama de ensamblaje en la pág. 7 antes de montar la grúa.

Los siguientes pasos resumen los pasos físicos necesarios para ensamblar las grúas **TELE-PRO**. Algunas de las grúas serán demasiado pesadas para que una sola persona las monte. Utilice personas y / o equipos de elevación adicionales para ensamblar los componentes de la grúa que se consideran demasiado pesados para que los pueda manejar una persona..

NOTA: Los sujetadores no deben apretarse demasiado durante el montaje, ya que esto puede dañar las roscas y provocar daños. Los dos pasadores marcados con # 2 son idénticos. Ambos son necesarios para el montaje.

Una vez que se haya instalado la base OZ Lifting Products LLC®, ensamble la grúa con los siguientes pasos:

1. Instale el mástil en la base. El mástil se deslizará fácilmente hacia la base (no se necesitan herramientas). Asegúrese de que el mástil esté colocado correctamente en el pasador en la parte inferior de la base. Esto se puede confirmar moviendo el mástil de lado a lado para verificar si hay juego excesivo. El mástil debe quedar bien ajustado. Asegúrese de que la orejeta de ajuste de altura esté orientada hacia la parte trasera.

2. Coloque la pluma en el mástil utilizando el pestillo Smart Latch, un sistema de conexión rápida OZ Lifting Products LLC®. Asegúrese de que la orientación de la pluma sea correcta al mástil: el extremo del cabrestante de la pluma debe estar sobre el punto de fijación del gato de trinquete en el mástil. La pluma debe inclinarse ligeramente para que el orificio oblongo pueda engancharse sobre un extremo del pasador superior del mástil. Gire la pluma de nuevo a una posición horizontal para enganchar el otro extremo del pasador superior del mástil.

NOTA: Si suelta su agarre de la pluma en este punto del ensamblaje, puede hacer que la pluma se columpie en el mástil. Esto podría provocar lesiones o daños al producto.

3. Fije el extremo del gato de trinquete a la sección trasera la pluma. Alinee los agujeros en la parte posterior de la pluma con los agujeros en el gato de trinquete. Inserte el pasador de horquilla # 2. Asegure con un pasador de linchamiento.

4. Conecte el otro extremo del gato de trinquete a la orejeta de montaje en el mástil de la grúa. Alinee los orificios en el gato de trinquete con el orificio en la orejeta de montaje e inserte el segundo pasador de horquilla # 2. Asegure con un pasador de linchamiento.

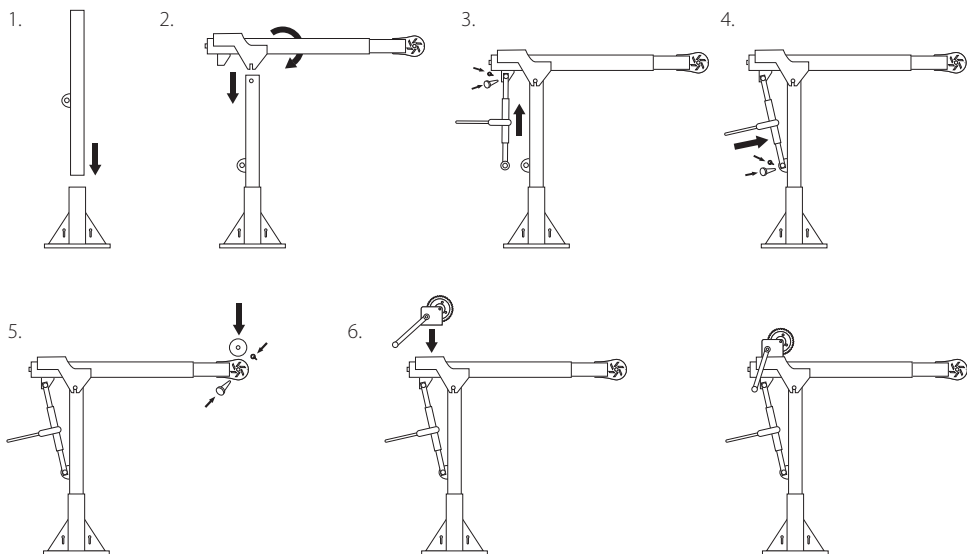
NOTA: La grúa pescante **TELE-PRO** se enviará de fábrica parcialmente ensamblada. Los siguientes pasos son solo de referencia si el producto debe ser reensamblado.

5. Deslice la polea en la tapa de la pluma desde la parte superior o inferior. Alinee los agujeros en la polea con los de la pluma. Inserte el pasador de horquilla # 1 y asegúrelo con el pasador de linchamiento.

6. Centre el cabrestante sobre los agujeros de montaje en la parte superior de la pluma. El tambor debe estar orientado hacia la polea. Asegure el cabrestante a la pluma en la posición de montaje más frontal, o el conjunto de tres agujeros más cercanos a la polea. Hay dos patrones de pernos en el brazo. El patrón de perno más pequeño es para el cabrestante manual.

NOTA: El desmontaje es el reverso del ensamblaje. No es necesario desmontar por completo la grúa para transportarla.

Diagrama de ensamblaje



NOTA: Normalmente no se necesita un mayor desmontaje del mecanismo de extensión / retracción de la pluma. Si se requiere el desmontaje completo de los componentes internos de la pluma, comuníquese con la fábrica. Cualquier extracción no autorizada de los componentes internos de la pluma anulará la garantía.

Instalación del cable

El conjunto de cables OZ Lifting Products LLC® que se puede pedir con la grúa pescante **TELE-PRO** vendrá con un extremo de bola para facilitar el montaje. También se puede usar cable de extremo estándar. Se incluye el hardware para la instalación del cable de extremo estándar. Consulte el manual del operador del cabrestante adjunto para obtener instrucciones sobre cómo instalar un cable de extremo estándar.

Para instalar el cable con extremo de bola suministrado por OZ Lifting Products LLC®:

1. Lay the cable out on a flat surface to ensure it is not knotted or looped.
2. Locate the ball end of the cable.
3. Localice el "ojo" en el tambor del cabrestante que acepta el extremo de bola del cable.
4. Pase el extremo de bola del cable sobre la polea de carga y hacia el cabrestante. Es posible que sea necesario retirar el pasador de retención del cable de la punta de la pluma para que la bola pase sobre la polea.
5. Inserte la conexión del extremo de bola del cable en el "ojo" del cabrestante.
6. Asegúrese de que el extremo de bola del cable se deslice dentro de la ranura en el "ojo" del cabrestante y no se pueda sacar.
7. Enrolle manualmente al menos 4 vueltas completas de cable en el tambor del cabrestante. Debe haber al menos 4 vueltas de cable de anclaje en el tambor del cabrestante en todo momento.
8. Instale el pasador de retención del cable insertando en los agujeros en la punta de la pluma.

NOTA: Para garantizar que la cantidad máxima de cable se pueda enrollar en el cabrestante, el cable se debe enrollar cuidadosamente en el tambor del cabrestante. Si el cable no se enrolla perfectamente en el tambor del cabrestante, la capacidad del cable se reducirá y el esfuerzo del mango puede aumentar. El cable que no se enrolla perfectamente puede consumir un 30% más de espacio en el tambor del cabrestante, lo que reduce la capacidad del cable.

Para cable sintético: habrá un lazo trenzado en el extremo del cable. Instale el cable como lo haría con un cable de extremo desnudo colocando este lazo sobre el perno de retención y asegúrelo con la arandela estampada y la tuerca de seguridad.

NOTA: Los cables Dyneema requieren 8 envolturas de anclaje en todo momento.

Operación de la grúa

Advertencias y Precauciones

Los operadores deben leer y comprender completamente este manual completo y todas las advertencias en la grúa pescante **TELE-PRO** antes de comenzar la operación de la grúa. Si este manual no se lee y se sigue por completo, pueden producirse lesiones y daños. Si tiene preguntas sobre la operación, comuníquese con su distribuidor OZ Lifting Products LLC®.

Antes de operar la grúa, asegúrese de que todas las piezas estén limpias y correctamente lubricadas. La grúa debe estar en buenas condiciones de funcionamiento y los registros de mantenimiento deben estar actualizados para continuar con la operación. El área de operación debe estar libre de materiales inflamables.

Es importante mantener una posición segura mientras opera la grúa. Confirme que la grúa esté unida de forma segura a una base sólida, nivelada y sólida antes de la operación. Lentamente tome una carga, verificando que esté bien soportada y equilibrada antes de continuar con la operación.

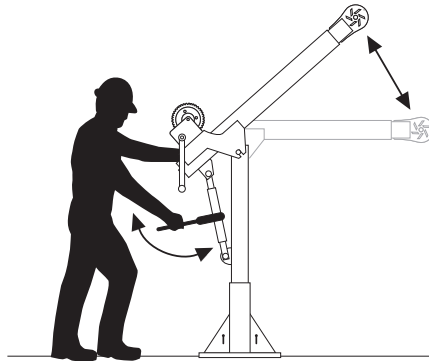
Todos los operadores DEBEN:

- Capacitarse en la operación adecuada de la grúa y en el manejo de posibles fallos de funcionamiento.
- Abstenerse del uso de alcohol, medicamentos o drogas durante la operación.
- Evite la operación mientras está cansado o distraído.
- Evite la operación si tienen antecedentes de convulsiones u otros problemas médicos que pueden interferir con la operación de la grúa.
- Tener una coordinación y visión adecuada.

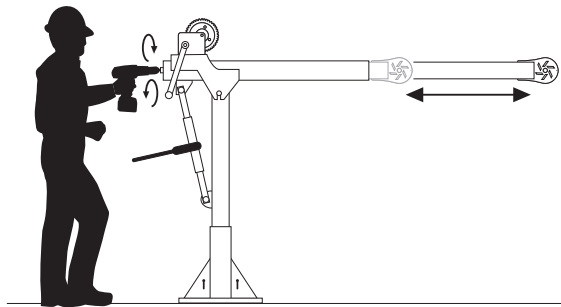


La grúa pescante **TELE-PRO** de OZ Lifting Products LLC® tiene una pluma única que se puede ajustar mientras está bajo carga. Tanto el ángulo como la extensión de la pluma se pueden cambiar mientras la grúa está bajo carga. Es responsabilidad del usuario asegurarse de que la grúa no se sobrecargue en ningún momento durante el levantamiento. Cambiar el ángulo y / o la extensión de la pluma puede aumentar o disminuir la capacidad de carga de la grúa mientras se realiza la elevación.

El ángulo de la pluma se ajusta mediante el uso de la manija del trinquete en la parte trasera de la grúa. En ningún momento se debe ajustar el trinquete para bajar la pluma de la grúa por debajo de su posición horizontal. La palanca en el trinquete cambia el trinquete entre subir y bajar.



La extensión de la pluma se ajusta mediante un controlador cuadrado en la parte trasera de la pluma. Esta unidad cuadrada se puede operar con el mango del cabrestante o con el adaptador de taladro suministrado. Hay topes integrados en el mecanismo de ajuste para evitar que se extienda demasiado en cualquier dirección. Se recomienda ajustar lentamente la extensión de la pluma al acercarse a uno de estos topes mecánicos. Usar un exceso de fuerza para intentar que la pluma exceda su rango de ajuste normal puede causar que el mecanismo se atasque. Esto puede necesitar un desmontaje para ser reparado y puede anular la garantía.



Hay clasificaciones de carga grabadas en ambos lados de la sección telescópica de la pluma. Estas clasificaciones de carga son para la grúa en varios puntos de extensión. En un lado de la pluma están las clasificaciones para la posición horizontal. En el otro lado de la pluma están las clasificaciones para la posición más de 45 grados. Estas clasificaciones grabadas no tienen en cuenta la cantidad de cable en el tambor del cabrestante. Las clasificaciones de carga, incluidos los efectos del cable en el tambor del cabrestante, se incluyen en dos calcomanías, una a cada lado de la grúa. Asegúrese de utilizar las capacidades de carga que corresponden al ángulo de la pluma que se está utilizando.

Pautas operativas

TELE-PRO 500 OZ Lifting Products LLC® tiene una capacidad de carga máxima operativa de 500 lbs.

TELE-PRO 1200 de OZ Lifting Products LLC® tiene una capacidad de carga máxima operativa de 1200 lbs.

TELE-PRO 2500 de OZ Lifting Products LLC® tiene una capacidad de carga máxima operativa de 2500 lbs.

La pluma del **TELE-PRO** de OZ Lifting Products LLC® se puede ajustar mientras está bajo carga. Este ajuste puede alterar la capacidad de elevación de las grúas. Verifique nuevamente la capacidad de carga de la grúa en cada posición de operación que se utilizará durante el levantamiento para asegurarse de que la grúa no se sobrecargue durante el levantamiento.

La grúa pescante **TELE-PRO** de OZ Lifting Products LLC® es capaz de generar fuerzas que exceden esta capacidad de carga máxima, pero esto no debe intentarse.

NOTA: Es responsabilidad del usuario asegurarse de que las cargas que se manejan estén dentro de los límites operativos de la grúa pescante **TELE-PRO** de OZ Lifting Products LLC® en todo momento. Las cargas de choque se deben minimizar, ya que pueden conducir a fuerzas superiores a la capacidad nominal de la grúa pescante **TELE-PRO** de OZ Lifting Products LLC®.

Se proporciona una tabla de clasificación de carga en la pág. 15, así como en la grúa pescante **TELE-PRO** de OZ Lifting Products LLC®. Esta tabla de clasificación de carga se calcula en función tanto de la extensión del brazo de la grúa como de la cantidad de cable enrollado en el tambor del cabrestante. Si bien la extensión de la pluma de la grúa no debe cambiar durante un levantamiento, la cantidad de cable que se enrolla en el cabrestante cambiará durante un levantamiento (especialmente durante levantamientos largos).

NOTA: Es responsabilidad del usuario determinar la cantidad máxima de cable que se enrollará en el cabrestante en cualquier momento dado durante el levantamiento y que la carga sea levantada como se corresponde.

El cabrestante manual que se suministra con la grúa pescante **TELE-PRO** de OZ Lifting Products LLC® ha sido elegido específicamente para que coincida con la clasificación de la grúa. El mango de desconexión rápida de este cabrestante también se ha diseñado específicamente para funcionar dentro del rango de carga del cabrestante. El esfuerzo requerido para operar el cabrestante a la capacidad nominal máxima será significativo. Esta es una característica de diseño intencional y no un defecto. El mayor esfuerzo requerido cuando se acerca a la capacidad nominal (en cualquier porcentaje de la capacidad del tambor) es una señal de que la carga que se está elevando puede ser demasiado pesada.

NOTA: Verifique el peso de la carga que se levanta y reduzca el peso si es necesario.

NOTA: La pluma de la grúa nunca debe bajarse por debajo de la horizontal mientras se manipula una carga. La pluma solo debe bajarse con fines de almacenamiento.

Esta grúa pescante **TELE-PRO** de OZ Lifting Products LLC® tiene una estructura principal hecha de acero. En ningún momento la grúa debe emitir ruidos anormales durante el uso (el cable puede hacer algo de ruido mientras se instala en el tambor, esto es normal). Por cualquier sonido anormal se debe remover la carga e inspeccionar. Existen múltiples fuentes de ruidos anormales que incluyen, entre otros:

- Si el cable no se enrolla cuidadosamente, bajo tensión, cuando se aplica carga.
- Si la grúa está severamente sobrecargada.
- Si la grúa ha sufrido daños severos por abuso y / o mal manejo.

NOTA: Esta lista no es exhaustiva y no cubre todas las posibilidades.

Limpeza y lubricación de la grúa

La grúa pescante **TELE-PRO** de OZ Lifting Products LLC® debe limpiarse periódicamente para preservar su apariencia y evitar la corrosión. La grúa pescante **TELE-PRO** de OZ Lifting Products LLC® durará más y funcionará mejor cuando se mantenga limpia y lubricada.

NOTA: No se deben usar disolventes en ninguna parte de la grúa pescante **TELE-PRO** de OZ Lifting Products LLC® para la limpieza ni para ningún otro propósito.

Instrucciones:

1. Limpie las superficies de la grúa con un paño húmedo. Los detergentes no son necesarios.
 2. Las superficies de acero deben tener una capa ligera de aceite aplicada para evitar la corrosión.
- NOTA:** No se deben aplicar lubricantes de ningún tipo a los frenos en el cabrestante. Si las pastillas de freno se contaminan con aceite, pueden resbalar.
3. Elimine el exceso de aceite con un paño limpio.
 4. Lubrique el buje en la polea de carga con una capa ligera de grasa.
 5. Lubrique las superficies de los cojinetes del eje en el cabrestante con una capa ligera de grasa, teniendo cuidado de que no penetre aceite ni grasa en las pastillas de freno del cabrestante.

Inspección de la grúa

Para mantener la operación de calidad del producto, cada operador debe seguir un cronograma de inspección regular. Todas las inspecciones deben informarse y mantenerse en un registro fechado. Estos registros deben estar disponibles para todo el personal involucrado con el producto y deben estar disponibles para OZ Lifting Products LLC® cuando se trate de un problema de garantía.

Definiciones

Persona designada - una persona que es seleccionada o asignada como competente para realizar las tareas específicas a las que está asignada.

Persona calificada - una persona que al poseer un título o certificado reconocido de prestigio profesional, o mediante un amplio conocimiento, capacitación y experiencia, ha demostrado con éxito que puede resolver problemas relacionados con el tema y el trabajo.

Servicio normal - servicio que implica la operación con cargas distribuidas aleatoriamente dentro del límite de carga nominal, o cargas uniformes inferiores al 65% de la carga nominal durante no más del 15% del tiempo.

Servicio pesado - servicio que implica la operación dentro del límite de carga nominal y excede el servicio normal.

Servicio severo - servicio que implica un servicio normal o pesado con condiciones de funcionamiento anormales. Esto también incluye el servicio que implica la carga de choque.

Clasificaciones de inspección

Inspecciones frecuentes - el operador o la persona designada realiza inspecciones frecuentes haciendo un examen visual y escuchando sonidos inusuales durante la operación. Estas inspecciones generalmente se realizan antes de cada operación, cada pocas horas en operación y si surgen problemas.

Inspecciones periódicas - una persona designada realiza inspecciones periódicas, que son inspecciones más detalladas, mediante exámenes visuales de las condiciones internas y externas. Estas inspecciones se realizan en el siguiente horario:

- Servicio normal - semestralmente
- Servicio pesado - trimestral
- Servicio severo - inmediatamente después de completar el levantamiento
- Después de un almacenamiento prolongado o si surgen problemas de operación

NOTA: Etiquete la grúa como "Fuera de servicio" si una inspección considera que está dañada o si se requiere mantenimiento. No quite esta etiqueta hasta que una persona calificada haya resuelto el problema. Suspenda el uso de cables y equipos si se producen daños o sobrecargas.

Notas importantes de inspección

- Los frenos requieren más que una inspección audible y visual. Revise los frenos diariamente operando la grúa con y sin carga y deteniéndose en varias posiciones para garantizar una operación segura. Si la carga se desliza o se arrastra, contacte a la fábrica para reemplazar los discos de fricción.
- La inspección adecuada puede requerir el desmontaje de algunas partes. Póngase en contacto con la fábrica de OZ Lifting Products LLC® antes de hacerlo o la garantía aplicable puede ser anulada.
- Para inspecciones de cables, comuníquese con el fabricante específico del cable. La inspección provista en la siguiente tabla es solo para una inspección general y no es de ninguna manera la inspección completa requerida.
- Antes de la operación, asegúrese de que se resuelvan todas las deficiencias en el cuadro de inspección y que las inspecciones estén actualizadas. Consulte la tabla de solución de problemas en la pág. 13 para asistencia adicional.
- Tenga en cuenta los códigos y reglamentos aplicables para la inspección de grúas.
- Consulte el manual del operador del cabrestante específico para obtener instrucciones de inspección completas.

Tabla de inspección

NOTA: Use la siguiente tabla para determinar qué tipo de inspección es necesaria. Inspección frecuente (F) e Inspección periódica (P).

Ubicación	Comprobar	F	P
Grúa	Daños, grietas, óxido, picaduras, abolladuras, desgaste excesivo o corrosión	X	
	Sonidos inusuales	X	
	Movimiento suave de carga	X	
	Equipos debidamente lubricados	X	
	Señales de sobrecarga (grietas, abolladuras o daños)		X
	Función adecuada cuando se opera con una carga igual a la capacidad de carga		X
Fundamento	Buen estado / soporta la grúa en todas las condiciones	X	
	Nivel, sin desviarse de la pluma	X	
	Grietas, corrosión, daños (verificar quitando la base de la grúa)		X
Sujetadores (incluyendo sujetadores de montaje)	Instalado firmemente	X	
	Apretado apropiadamente	X	
	Hilos pelados, doblados o dañados (verificar quitando la base de la grúa)		X
Manija	Gira libremente en ambas direcciones	X	

NOTA: Consulte el manual del operador del cabrestante para ver su tabla de inspección.

Reparaciones

Todos los reparos deben tener autorización de fábrica. Póngase en contacto con OZ Lifting Products LLC® para evitar la anulación de la garantía limitada de un año y los posibles daños. Realice las inspecciones recomendadas para identificar qué partes deben reemplazarse. Utilice únicamente piezas de repuesto de OZ Lifting Products LLC®. Para pedir piezas de repuesto, comuníquese con su distribuidor local OZ Lifting Products LLC®. Tenga a mano el número de serie, el número de pieza y una descripción cuando llame.

Solución de problemas

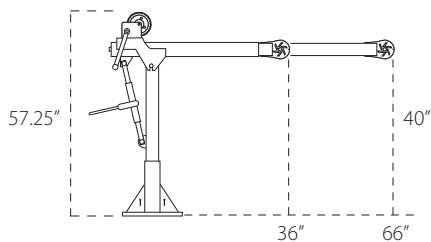
Problem	Possible Cause	Correction
Distancia de frenado muy larga	Los discos están desgastados, dañados o sobre lubricados	Reemplazar
	Trinquete de freno de disco dañado o desgastado	Reemplazar
Desgaste excesivo en engranajes y cojinetes.	Sobrecargado	Reducir la carga
	Lubricación inadecuada	Relubricar
Chirrido agudo	Lubricación inadecuada	Relubricar
Ruido de molienda	Cable mal enrollado, cable engranado en el tambor	Vuelva a enrollar el cable de manera uniforme bajo tensión
	Frenos o engranajes sucios	Limpiar
	Engranajes o cojinetes rotos	Reemplazar
Traqueteo	Pernos flojos, tornillos, sujetadores	Apretar
Pluma gira por su cuenta	Superficie de montaje sin nivel o insegura	Reparar
	Mástil doblado o dañado	Reparar
Pluma rebota	Sobrecargado	Reduzca la carga e inspeccione la grúa en busca de daños
	Pernos de montaje flojos	Apriete para corregir la torsión
	Superficie de montaje sin nivel o insegura	Reparar
	Engranajes del cabrestante desgastados o dañados	Reparar
	Polea desgastada o dañada	Reparar

Póngase en contacto con OZ Lifting Products LLC® si es necesario desmontar la grúa. La garantía limitada se anulará si esto no se hace.

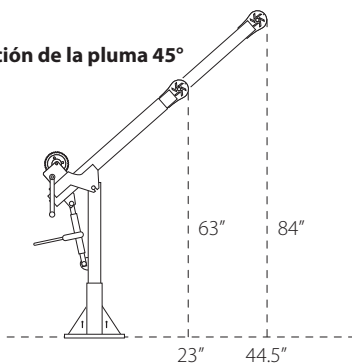
Especificación

OZTP500DAV

Posición de la pluma horizontal

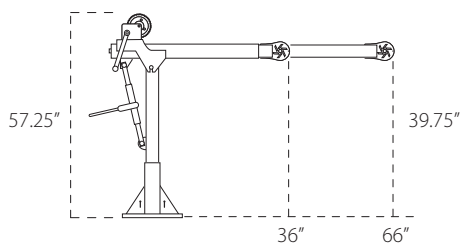


Posición de la pluma 45°

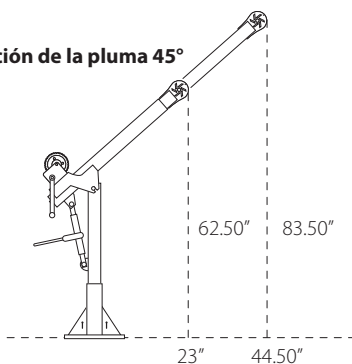


OZTP1200DAV

Posición de la pluma horizontal

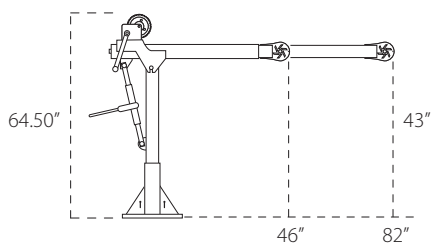


Posición de la pluma 45°

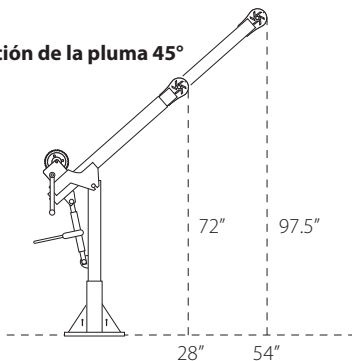


OZTP2500DAV

Posición de la pluma horizontal



Posición de la pluma 45°



* Las dimensiones son solo de referencia y están sujetas a cambios sin previo aviso.

Capacidad de carga

La pluma es infinitamente ajustable. Por simplicidad, las calificaciones se han dividido en 4 posiciones.

OZTP500DAV CAPACIDAD – Pluma Horizontal – Basado en 3/16" cable de acero

Capacidad (lbs.)	Primera Capa	Medio Tambor	Tambor lleno
Posición de pluma 1 at 36"	500 lbs.	500 lbs.	500 lbs.
Posición de pluma 2 at 46"	430 lbs.	430 lbs.	430 lbs.
Posición de pluma 3 at 56"	350 lbs.	350 lbs.	350 lbs.
Posición de pluma 4 at 66"	300 lbs.	300 lbs.	300 lbs.

OZTP500DAV CAPACIDAD – Pluma a 45° – Basado en 3/16" cable de acero

Capacidad (lbs.)	Primera Capa	Medio Tambor	Tambor lleno
Posición de pluma 1 at 23"	500 lbs.	500 lbs.	500 lbs.
Posición de pluma 2 at 30"	500 lbs.	500 lbs.	500 lbs.
Posición de pluma 3 at 37"	500 lbs.	500 lbs.	500 lbs.
Posición de pluma 4 at 44"	450 lbs.	450 lbs.	450 lbs.

OZTP1200DAV CAPACIDAD – Pluma Horizontal – Basado en 1/4" cable de acero

Capacidad (lbs.)	Primera Capa	Medio Tambor	Tambor lleno
Posición de pluma 1 at 36"	1200 lbs.	875 lbs.	550 lbs.
Posición de pluma 2 at 46"	900 lbs.	875 lbs.	550 lbs.
Posición de pluma 3 at 56"	750 lbs.	750 lbs.	550 lbs.
Posición de pluma 4 at 66"	650 lbs.	650 lbs.	550 lbs.

OZTP1200DAV CAPACIDAD – Pluma a 45° – Basado en 1/4" cable de acero

Load Ratings (lbs.)	1st. Layer	Mid Drum	Full Drum
Posición de pluma 1 at 23"	1200 lbs.	875 lbs.	550 lbs.
Posición de pluma 2 at 30.25"	1200 lbs.	875 lbs.	550 lbs.
Posición de pluma 3 at 37.25"	1100 lbs.	875 lbs.	550 lbs.
Posición de pluma 4 at 44.5"	950 lbs.	875 lbs.	550 lbs.

OZTP2500DAV CAPACIDAD – Pluma Horizontal – Basado en 3/8" cuerda sintética

Capacidad (lbs.)	Primera Capa	Medio Tambor	Tambor lleno
Boom Position 1 at 46"	2500 lbs.	2015 lbs.	1550 lbs.
Boom Position 2 at 58"	1900 lbs.	1900 lbs.	1550 lbs.
Boom Position 3 at 70"	1600 lbs.	1600 lbs.	1550 lbs.
Boom Position 4 at 82"	1300 lbs.	1300 lbs.	1300 lbs.

OZTP2500DAV CAPACIDAD – Pluma a 45° – Basado en 3/8" cuerda sintética

Capacidad (lbs.)	Primera Capa	Medio Tambor	Tambor lleno
Posición de pluma 1 at 28"	2500 lbs.	2015 lbs.	1550 lbs.
Posición de pluma 2 at 37"	2500 lbs.	2015 lbs.	1550 lbs.
Posición de pluma 3 at 45.5"	2500 lbs.	2015 lbs.	1550 lbs.
Posición de pluma 4 at 54"	2000 lbs.	2000 lbs.	1550 lbs.

IMPORTANT!

Las capacidades de carga variarán según la longitud y el diámetro del cable o de la cuerda sintética.

Rev. 2/15/20



P.O. Box 845, Winona, MN 55987

Phone (800) 749-1064

(507) 474-6250

Tech Support (507) 457-3346

Fax (507) 452-5217

sales@ozliftingproducts.com

www.ozliftingproducts.com

