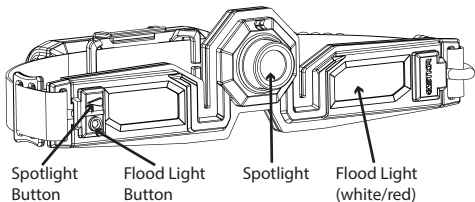


FLEXIT HEADLAMP PRO



SPECIFICATIONS

Model # 00387
650 Total True Lumens
IPX6 Waterproof Rating
5.8oz (battery incl.)

FEATURES

- Positionable Spotlight
- Center CREE LED
- Outer Flood COB LEDs (White & Red Light)
- 240° Halo Lighting
- Rear Red Hazard Light

OPERATION

SPOTLIGHT & FLOOD LIGHT

The spotlight & flood lights are independently controlled

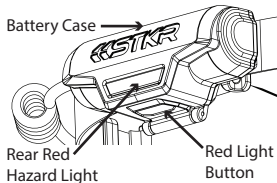
- Press button to turn ON or OFF
- Press & HOLD to increase/decrease brightness. note: the light blinks to indicate when the brightness level has reached minimum or maximum

RED LIGHT

Red light button controls rear hazard safety light and front red flood lights

- Press button to turn ON
- Press to cycle through modes:
 1. Rear Red-Light
 2. Rear Flashing Red-Light
 3. Rear Red-Light + Front Red Flood Light
 4. OFF
- Press & HOLD to turn on 360° Flashing Red Hazard Safety Light Mode.

- After 5 seconds of no mode changes, press button to turn red light off



⚠ SAFETY WARNING: This product contains high intensity LED devices. To prevent permanent eye damage, do not stare into the light beam at close range.



QUESTIONS? Before returning to your retailer, call our customer service department at 704-508-1031, 8 a.m. - 5 p.m. ET, Monday - Friday or email us at info@STKRconcepts.com

KILL SWITCH

!! Before use make sure Kill Switch is in Power ON position

Prevent headlamp from accidentally turning on during transportation.

POWER ON: Open battery case and slide kill switch to the LEFT position to provide power to the headlamp.

POWER OFF: Open battery case and slide kill switch to the RIGHT position to turn power off to headlamp.

CHARGING

1) Plug the micro-USB cable into the micro-USB port 2) plug the other end of the cable into a USB wall charger*, USB car charger*, or any other USB charging device* (e.g. computer). *Not included. *Charger output of 1A to 2.1A is recommended. Charger output should NOT exceed 2.1A to prevent battery damage.

-- Battery Level Indicator lights blink while charging then solid glow when fully charged.

***Please recharge a stored unit every four months to maintain optimum performance of the lithium-ion batteries and maximize charging levels. Battery excl. from warranty.*

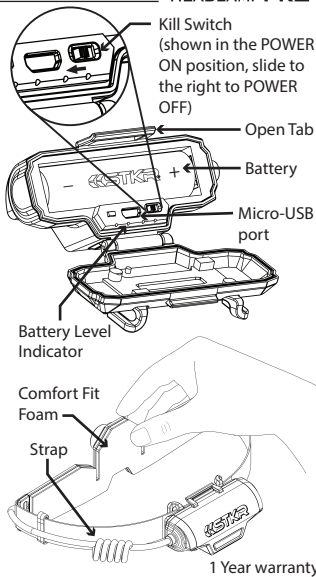
BATTERY INSTALLATION

1) Pull tab to open battery case 2) Place 1x 18650 Lithium-ion rechargeable battery into the battery terminal.

CLEAN & CARE

Hand-wash Foam & Strap with mild soap.

Do not submerge in water. Not machine washable.



1 Year warranty

Included: (1x) FLEXIT Headlamp PRO, (1x) 18650 Lithium-ion, (1x) Micro-USB cable, (1x) Carry pouch

