



SERVICE PARTS LIST

BULLETIN NO.
54-22-2411

SPECIFY CATALOG NO. AND SERIAL NO. WHEN ORDERING PARTS		REVISED BULLETIN 54-22-2410	DATE Jan. 2025
M18 FUEL MULTI-TOOL			
CATALOG NO.	2836-20	STARTING SERIAL NO.	L53B
		WIRING INSTRUCTION See Reverse Side	

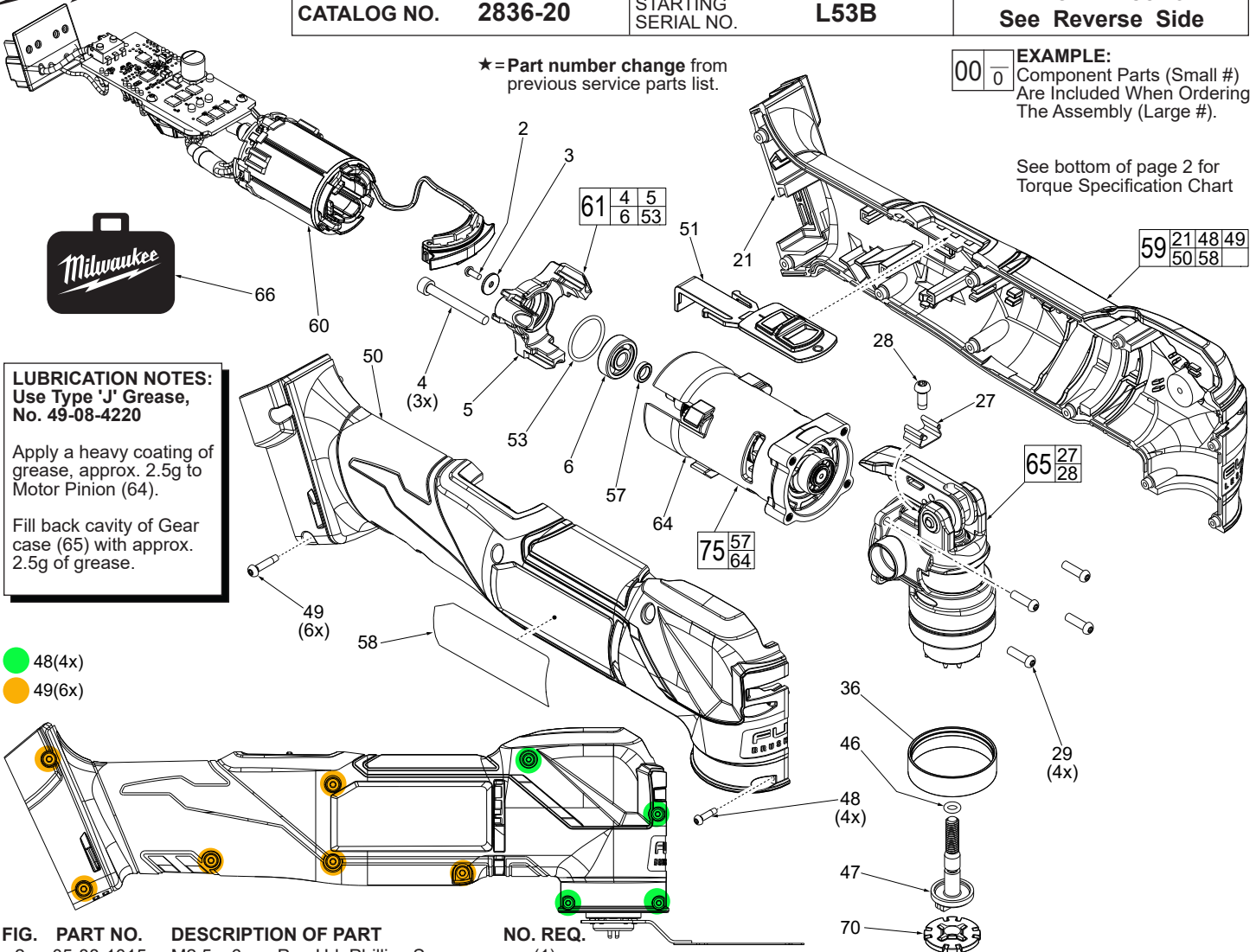
★ = Part number change from previous service parts list.

EXAMPLE:

00	0
----	---

 Component Parts (Small #)
 Are Included When Ordering
 The Assembly (Large #).

See bottom of page 2 for
Torque Specification Chart



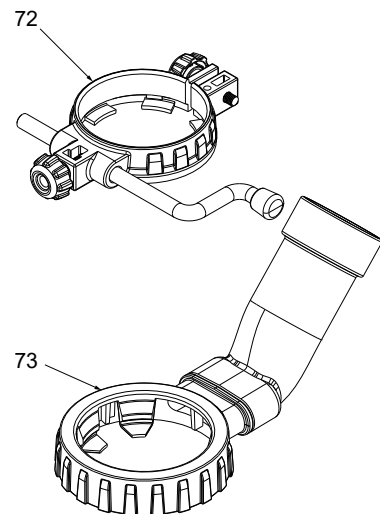
LUBRICATION NOTES:
Use Type 'J' Grease,
No. 49-08-4220

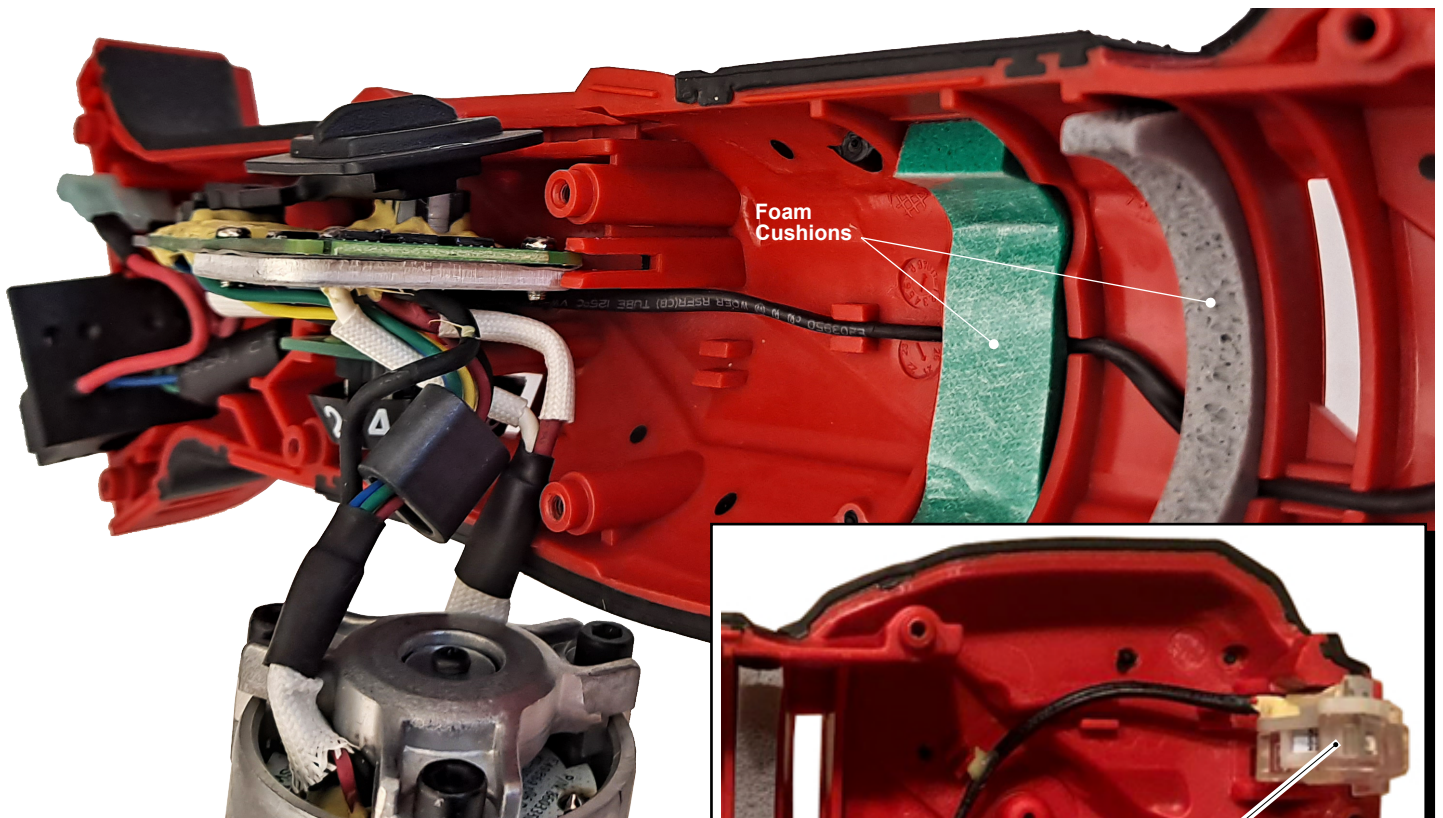
Apply a heavy coating of
grease, approx. 2.5g to
Motor Pinion (64).

Fill back cavity of Gear
case (65) with approx.
2.5g of grease.

- 48(4x)
- 49(6x)

FIG.	PART NO.	DESCRIPTION OF PART	NO. REQ.
2	05-88-1015	M2.5 x 6mm Pan Hd. Phillips Screw	(1)
3	45-88-0232	19mm Flat Washer	(1)
4	-----	M4 x 35mm Cap Hd. Hex Recess Mach. Sc.	(3)
5	-----	Motor End Plate	(1)
6	02-04-0223	Ball Bearing	(1)
21	-----	Left Housing Halve with Cushions	(1)
27	42-70-0510	Quick Release Clip	(1)
28	05-78-0105	M4 x 10mm Pan Hd. Taptite T-20 Screw	(1)
29	05-78-1010	M3.5 x 12mm Pan Hd. T-10 Mach. Screw	(4)
36	45-22-0026	Rubber Sleeve	(1)
46	34-40-0431	O-Ring	(1)
47	06-75-1015	Blade Fastener	(1)
48	06-82-2395	M2.6 x 10mm Pan Hd. ST T-8 Screw	(4)
49	06-82-1080	M3 x 14mm Pan Hd. ST T-10 Screw	(6)
50	-----	Right Housing Halve with Cushions	(1)
51	45-72-0024	Slide Lever	(1)
53	34-40-0147	O-Ring	(1)
57	-----	Bushing	(1)
58	12-20-0446	Service Nameplate	(1)
59	31-44-0244	Housing Kit	(1)
★60	14-20-0188	Electronics Kit	(1)
★61	14-46-0205	Motor End Plate Kit	(1)
64	-----	Rotor/Jam Sleeve Assembly	(1)
65	14-29-0068	Gearcase Assembly	(1)
66	42-55-2866	Contractor Bag	(1)
70	48-03-2526	Adapter (Accessory - Sold Separately)	(1)
72	49-90-2430	Depth Stop (Accessory - Sold Separately)	(1)
73	49-90-2420	Dust Extractor (Accessory - Sold Separately)	(1)
75	14-50-0029	Rotor/Jam Sleeve Assembly with Bushing	(1)





As an aid to reassembly, take notice of wire routings and position in wire guides and traps while dismantling tool.

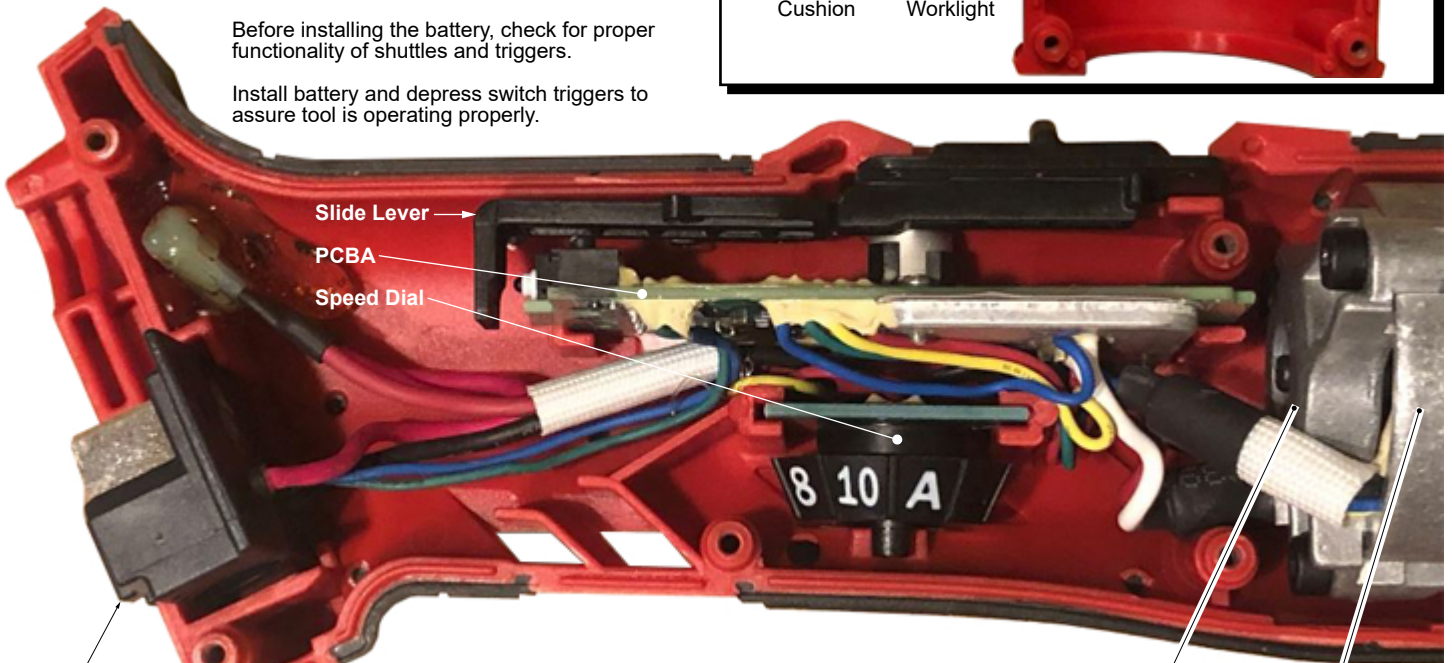
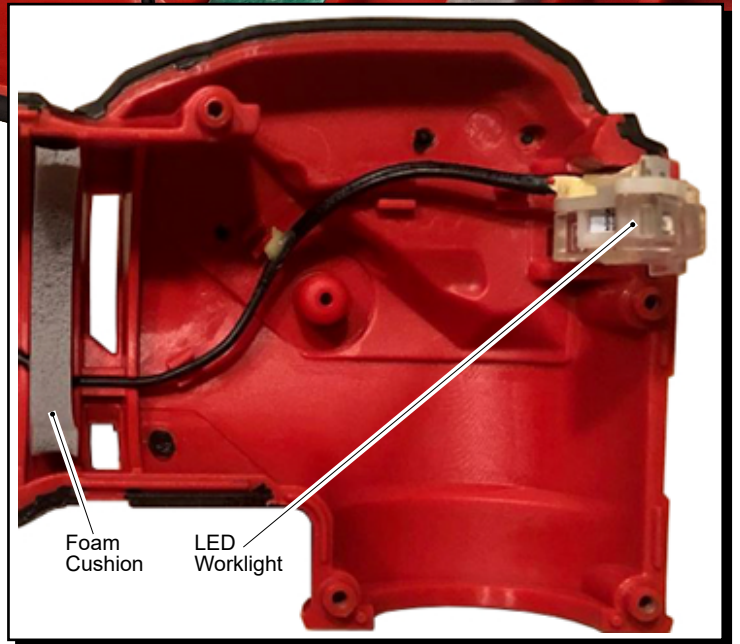
Be sure that all components of electronics kit are seated firmly and squarely in housing recesses.

Avoid pinched wires, be sure that all wires and sleeves are pressed completely down in wire traps.

Prior to securing housing cover onto the housing support, be sure that there are no interferences.

Before installing the battery, check for proper functionality of shuttles and triggers.

Install battery and depress switch triggers to assure tool is operating properly.



SCREW TORQUE SPECIFICATIONS

FIG.	PART NO.	WHERE USED	SEAT TORQUE	
			(kgf-cm)	(lb-in)
2	05-88-1015	Rotor Shaft	6±1	5±1
4	-----	Motor End Plate	26±2	22±2
28	05-78-0105	Quick Release Clip	16±2	14±2
29	05-78-1010	Gearbox	18±2	15.5±2
48	06-82-2395	Housing Halve	5±1	4±1
49	06-82-1080	Housing Halve	8±1	7±1

Motor End Plate

Motor/Jam Sleeve Assembly