

Remove snow plows faster and easier using the Quick Mount Plow Cart by All-Type Welding and Fabrication, Inc.

### ASSEMBLY INSTRUCTIONS ( FISHER / HINIKER / CURTIS)

Before assembling your Plow Cart, check the contents of the carton against the parts list. The only assembly tools you will need are a 1/2" Socket and a 3/4" Deep Socket.

**1. Insert Blade Channel (A) into Support Tube (B). Install Standard Caster (G) through the bottom hole closest to the joint.** Using a 1/2-13 Hex Nut (H) and a 1/2" Lock Washer (I) fasten the caster securely to the Support Tube. Next, insert the 5/16-18x2" Hex Cap Screw (J) with one 5/16" Flat Washer (M) through the top hole next to the caster hole. Using a 5/16-18 Hex Nut (L), 5/16" Lock Washer (N) and 5/16" Flat Washer (M) fasten the screw securely to the Support Tube (B).

**2. Attach Adjustable Foot Plate (C) to Support Tube (B)** using two (2) 5/16-18x3/4" Carriage Bolts (P) with two (2) 5/16" Lock Washers (N) and (2) 5/16" Flat Washers (M). NOTE: THIS PLATE IS ADJUSTABLE AND AFTER SETTING LOCATION TO ACCOMMODATE YOUR PLOW'S FOOT STAND, SECURELY TIGHTEN SCREWS.

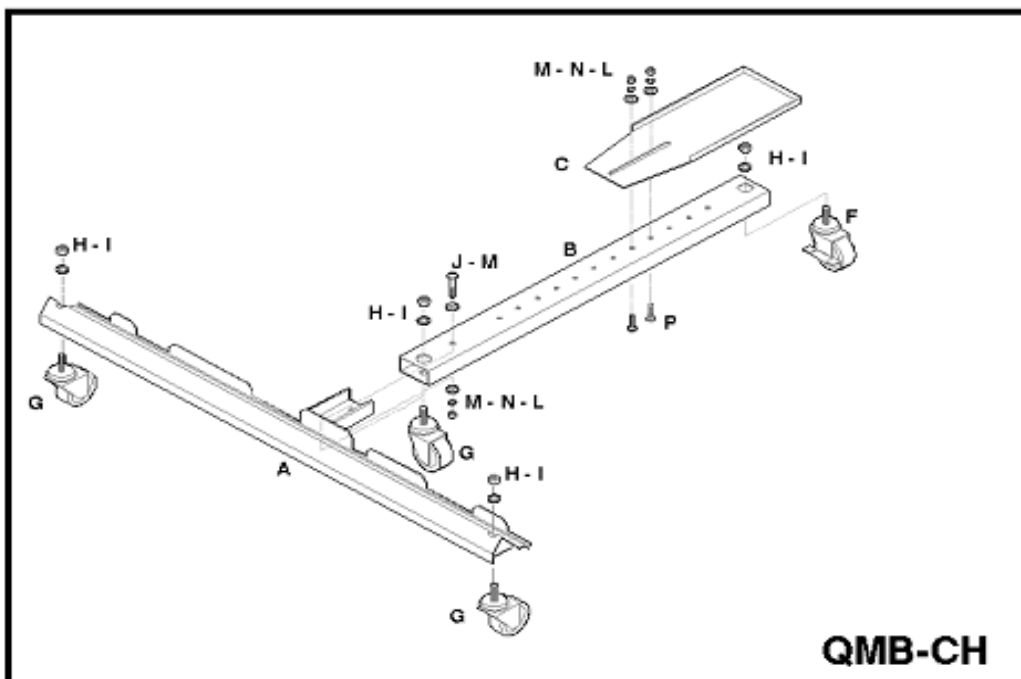
**3. Install Locking Caster (F) through the bottom hole closest to the rear of the Support Tubing (B).** Using a 1/2-13 Hex Nut (H) and a 1/2" Lock Washer (I) fasten the caster securely to the Support Tube. Last install two (2) Standard Casters (G) through the bottom holes of the Blade Channel (A). Using a 1/2-13 Hex Nut (H) and a 1/2" Lock Washer (I) fasten the casters securely to the Blade Channel.

Hardware Kits are designed for use with all of our Plow Cart Models, and may contain pieces that you do not need. It is only necessary to use the parts listed above.



#### Parts List

Index	Part Name	Qty
A	Blade Channel .....	1
B	Support Tube .....	1
C	Adjustable Foot Plate.....	1
F	Locking Caster .....	1
G	Standard Caster .....	3
H	1/2-13 Hex Nut .....	4
I	1/2" Lock Washer .....	4
J	5/16-18x2" Hex Cap Screw.....	1
L	5/16-18 Hex Nut .....	3
M	5/16" Flat Washer .....	4
N	5/16" Lock Washer.....	3
P	5/16-18 x 3/4 Carriage Bolt.....	2



QMB-CH

Remove snow plows faster and easier using the Quick Mount Plow Cart by All-Type Welding and Fabrication, Inc.

FITS FISHER MINUTE MOUNT 2 TYPE PLOWS



### USER INSTRUCTIONS FOR QUICK MOUNT PLOW CART

#### STEP 1

##### Pre-load Plow to mount on Quick Mount Plow Cart.

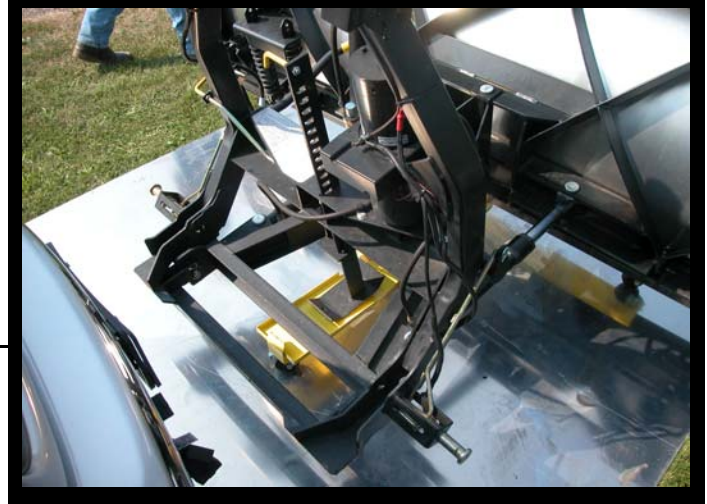
Attach plow to truck using Fisher Minute Mount 2 system. Straighten plow blade so side hydraulic cylinders are equal.



#### STEP 2

##### Adjust Quick Mount Plow Cart to specific Plow Manufacturer's Framework.

Before rolling the Quick Mount Plow Cart under the plows A-frame, bolt the adjustable foot plate to the cart, using the (2) 5/16" bolts, fasten the adjustable foot plate to the Support Tube using the two (2) holes that best align adjustable foot plate to the jack stand. Set the distance so the plow blade is close to center or towards the rear of the Blade Channel.



#### STEP 3

##### Load Plow onto Quick Mount Plow Cart

Lower plow onto the Quick Mount Plow Cart, using the instructions for removing a Fisher Minute Mount 2 plow, disconnect electrical plugs. Pull jack lock lever and lower stand until it makes contact with Adjustable Foot Plate. Release built in handle to disengage connecting pins and pull away from truck. Plow is now stored on the Quick Mount Plow Cart.

#### STEP 4

##### Install Plow on Truck from Quick Mount Plow Cart

Roll Plow up to truck. Align into the plow mounts. Push light tower towards the truck to align pins. Using built in handle engage connecting pins. raise stand. Connect electrical plugs. Lift Plow off cart and pull Quick Mount Plow Cart out from under plow. Plow is now easily installed to truck and ready for use.

#### SAFETY NOTES

1. Maximum Load Capacity 1080 lbs.
2. To avoid possible injury, keep all body parts clear of blade channel when releasing plow onto the plow cart.
3. Never attempt to lift A-frame up beyond jack max. lift height, this can cause plow to become unbalanced and possibly flip over.
4. Always lock rear caster when storing a plow on the plow cart.

Remove snow plows faster and easier using the Quick Mount Plow Cart by All-Type Welding and Fabrication, Inc.

FITS HINIKER TYPE PLOWS

## USER INSTRUCTIONS FOR QUICK MOUNT PLOW CART

### STEP 1

#### Pre-load Plow to mount on Quick Mount Plow Cart.

Attach plow to truck using Hiniker Quick-Hitch 3 step procedure. Straighten plow blade so side hydraulic cylinders are equal.

### STEP 2

#### Adjust Quick Mount Plow Cart to specific Plow Manufacturer's Framework.

Before rolling the Quick Mount Plow Cart under the plows A-frame, bolt the adjustable foot plate to the cart, using the (2) 5/16" bolts, fasten the adjustable foot plate to the Support Tube using the two (2) holes closest to the end of the frame. Set the distance so the plow blade is close to center or towards the rear of the Blade Channel.

### STEP 3

#### Load Plow onto Quick Mount Plow Cart

Lower plow onto the Quick Mount Plow Cart, using the instructions for removing a Hiniker Plow, disconnect electrical plugs. Pull stand pin and lower stand until it makes contact with Adjustable Foot Plate and replace pin. Release lever lock to release plow from forks and pull away from truck. Plow is now stored on the Quick Mount Plow Cart.

### STEP 4

#### Install Plow on Truck from Quick Mount Plow Cart

Roll Plow up to truck. Align receivers to forks. Push into mount. Position with one hand on the Mold Board and the other hand on the Pump Housing Cover. Pull lever to lock Plow to truck and raise stand. Connect electrical plugs. Lift Plow off cart and pull Quick Mount Plow Cart out from under plow. Plow is now easily installed to truck and ready for use.



### SAFETY NOTES

1. Maximum Load Capacity 1080 lbs.
2. To avoid possible injury, keep all body parts clear of blade channel when releasing plow onto the plow cart.
3. Never attempt to lift A-frame up beyond jack max. lift height, this can cause plow to become unbalanced and possibly flip over.
4. Always lock rear caster when storing a plow on the plow cart.

**All-Type Welding and Fabrication, Inc.**  
**7690 Bond St**  
**Glenwillow, Oh 44139**

**LIMITED MANUFACTURER'S WARRANTY**

**Product: Quick Mount Plow Cart      Model: All Plowcart models**

This is to certify that the **MANUFACTURER'S** products are fully warranted against defects in workmanship and materials under normal use and service for a period of one year from the date of sale to the original consumer purchaser. The **MANUFACTURER** agrees to repair or replace, at the factory, free of charge, any returned product that is found to be defective. Warranty is void if product's original design or finish is altered in any way. If the **MANUFACTURER** elects to supply a substitute product the warranty on said product will extend for the balance of the original stated period. This warranty extends only to the original consumer purchaser and may not be transferred or assigned to anyone else.

**THE MANUFACTURER MAKES NO OTHER EXPRESS OR IMPLIED REPRESENTATION OR WARRANTY OF ANY KIND REGARDING THE PRODUCT, WHETHER AS TO MERCHANTABILITY, FITNESS FOR A PARTICULAR PURPOSE OR USE OR ANY OTHER MATTER. THERE ARE NO OTHER WARRANTIES WHICH EXTEND BEYOND THE DESCRIPTION ON THE FACE HEREOF.** In particular, the **MANUFACTURER** assumes no responsibility for improper usage, improper handling or failure to follow the **MANUFACTURER'S** instructions regarding the product. **SPECIAL CARE SHOULD BE USE WHEN OPERATING THE PRODUCT.**

In the event that the product fails to conform to the **MANUFACTURER'S** warranty described above, the **MANUFACTURER** will at its option, repair the original product or furnish the original consumer purchaser with a substitute product (**F.O.B. the MANUFACTURER**) or refund such purchaser's original purchase price. **THE MANUFACTURER WILL BEAR NO OTHER EXPENSE, INCLUDING BUT NOT LIMITED TO LABOR COSTS OF ANY KIND OR DAMAGE TO ANY OTHER PROPERTY OR EQUIPMENT AND PUCHASER'S EXCLUSIVE REMEDY IN LIEU OF ALL INCIDENTAL, SPECIAL OR CONSEQUENTIAL DAMAGES, IS LIMITED TO REPAIR, REPLACEMENT OR REFUND AS HERETOFORE DESCRIBED.**

This warranty covers only manufacturing defects and does not include defects or damages caused by normal deterioration, accidents, fire, floods, acts of God, faulty installation, vandalism, abuse, neglect or failure to perform reasonable and necessary maintenance. This warranty covers the product only and the **MANUFACTURER** does not assume any expense involved with the removal or reinstallation of any replacement parts, except as it may perform at the factory. In the event the **MANUFACTURER'S** obligation under this warranty is sought, the part or parts that allegedly do not conform to this warranty must be shipped to the **MANUFACTURER** transportation charges pre-paid. The **MANUFACTURER** will at its option replace or repair without charge any defective part or component. The original warranty period shall not be extended by any repair or replacement and the remaining warranty time period shall continue in effect. The **MANUFACTURER** reserves the right to discontinue the model manufactured under this warranty or to change any part or component of the same and shall have the right to substitute a different model, part or component designated solely by the **MANUFACTURER**.

**SPECIAL NOTE:** This warranty is valid only in the United States and Canada. All warranty claims must be sent to the **MANUFACTURER** at the address above and must include the original sales receipt or proof of purchase.