

COMPANY NAME: _____
 YOUR NAME: _____
 ADDRESS: _____
 # OF PIECES: _____
 PHONE #: _____
 FAX #: _____

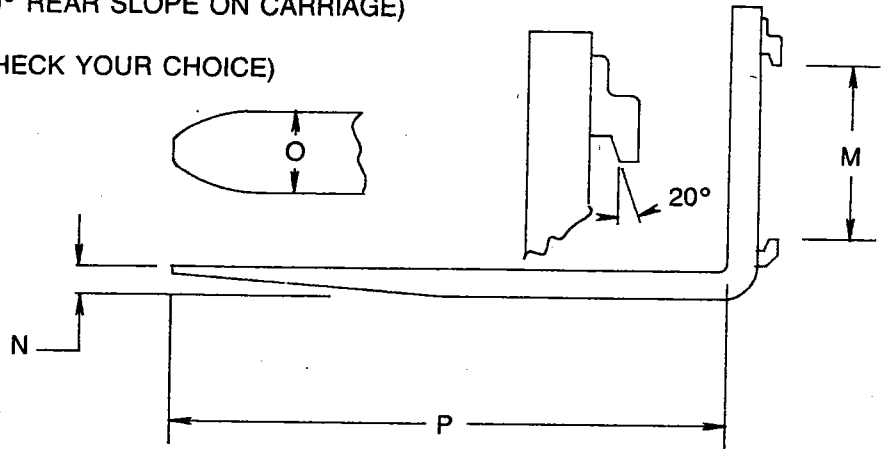
TRUCK MAKE: _____
 MODEL: _____
 CAPACITY: _____
 P.O. #: _____

STANDARD I.T.A. FORKS (20° REAR SLOPE ON CARRIAGE)

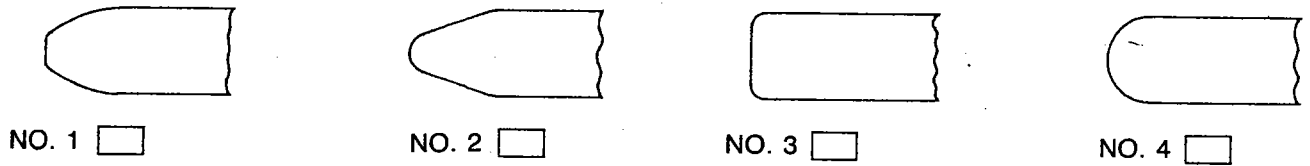
CLASS		CARRIAGE HEIGHT
M 12.09	I	13.00
M 15.07	II	16.00
M 18.82	III	20.00
M 23.59	IV	25.00

(CHECK YOUR CHOICE)

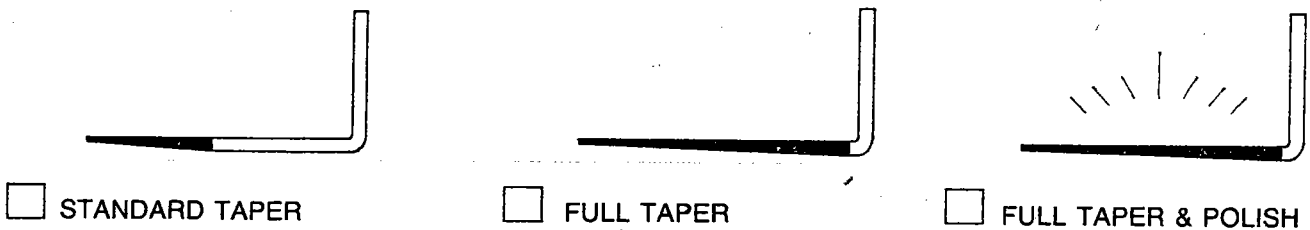
N _____ (THICKNESS)
 O _____ (WIDTH)
 P _____ (LENGTH)



TIPS (CHECK YOUR CHOICE)

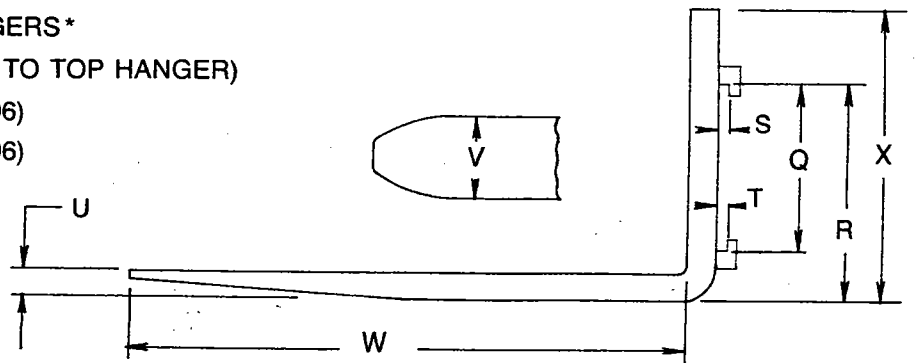


TAPERS (CHECK YOUR CHOICE)

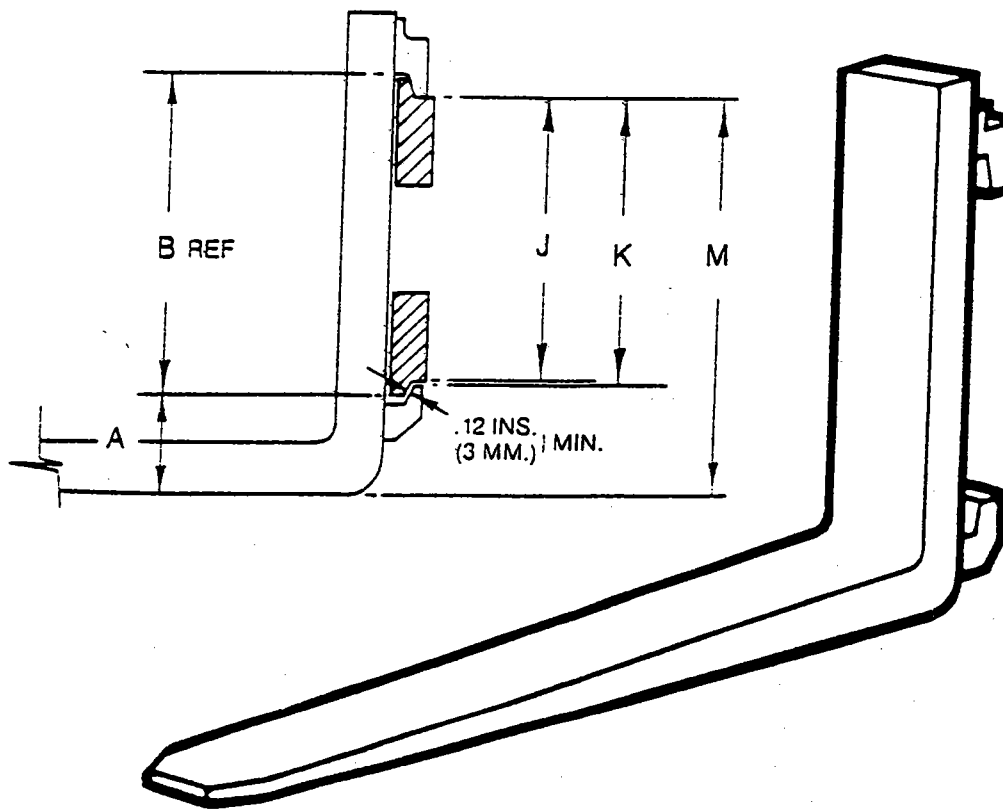


NON STANDARD HOOK FORKS (WITH SQUARE CARRIAGE)

Q _____ (DISTANCE BETWEEN HANGERS*)
 R _____ (DISTANCE FROM GROUND TO TOP HANGER)
 S _____ (CARRIAGE THICKNESS + .06)
 T _____ (CARRIAGE THICKNESS + .06)
 U _____ (THICKNESS)
 V _____ (WIDTH)
 W _____ (LENGTH)
 X _____ (SHANK HEIGHT)



* Q = DISTANCE TO OUTSIDE OF CARRIAGE BARS + CLEARANCE.



CLASS	I		II		III		IV	
CAPACITY	0-999 Kg at 400 mm		1000-2500 Kg at 500 mm		2501-5000 Kg at 500 mm		5000-6300 Kg at 600mm	
	Less than 2000 lb at 24 inches		2000-5500 lb at 24 inches		5501-10,000 lb at 24 inches		10,000-14,000 lb at 24 inches	
DIMENSIONS	mm	inches	mm	inches	mm	inches	mm	inches
B	331	13.03	407	16.00	508	20.00	635	25.00
A	76	3.00	76	3.00	76	3.00	127	5.00
J	304	12.00	380	15.00	475	18.75	596	23.50
K	308	12.12	384	15.12	479	18.87	600	23.62
M	395	15.50	470	18.50	570	22.37	744	29.25