

# COMPACT SINGLE SPRING SIGN STANDS FOR ROLL-UP SIGNS

## MASH APPROVED



Heavy Duty  
Single Spring



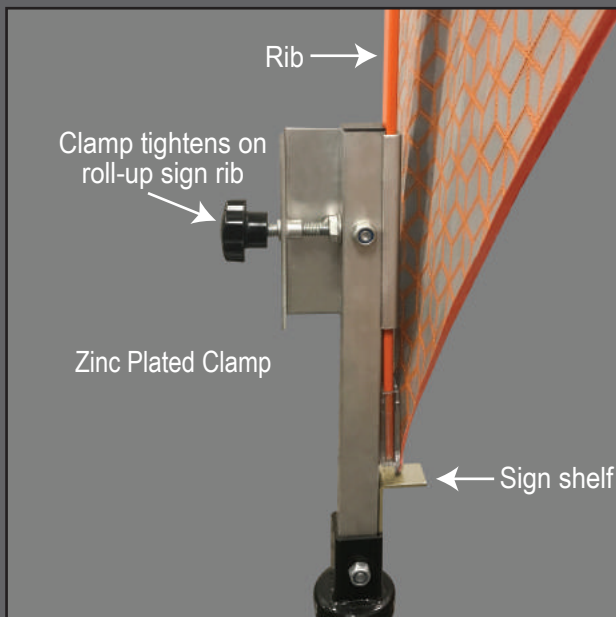
Model SS310



Model SS310A

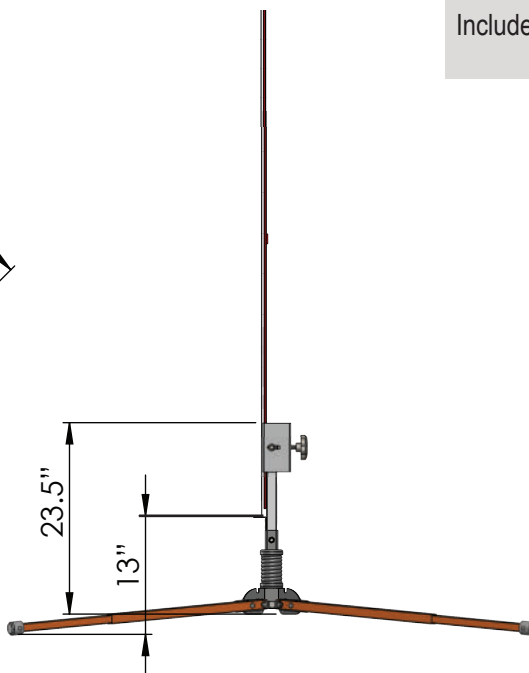
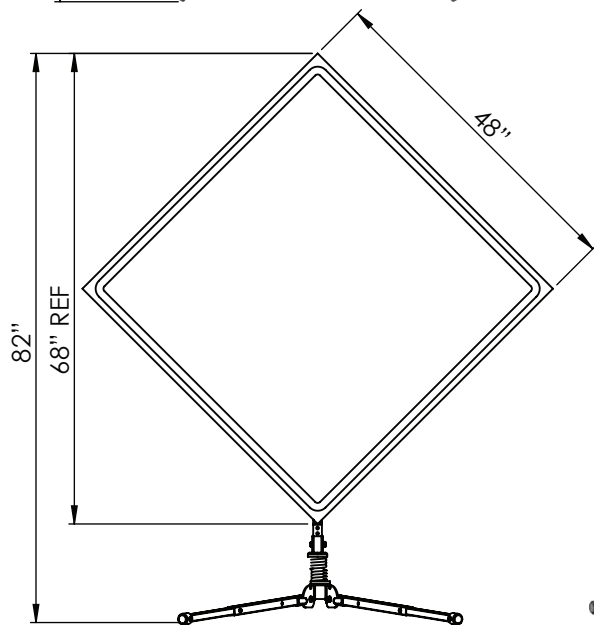
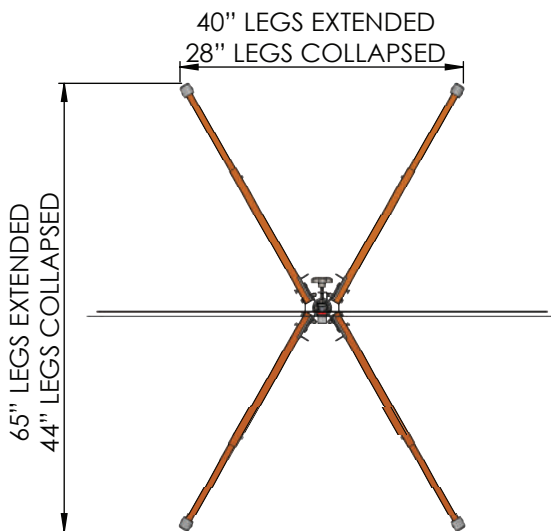
- Holds roll-up signs 36" & 48"
  - universal compact sign clamp, zinc plated steel, grabs and tightens on roll-up rib
- Automotive grade steel spring
  - designed to perform in extreme weather conditions without fatiguing or breaking
  - E-coated for maximum rust and corrosion resistance
- Legs are extendable
  - lock in multiple positions to adjust to uneven ground
- Non-skid rubber feet
- Replacement parts and assemblies available
- MASH Accepted for 48" roll-up signs, WZ-352
- Meets MUTCD Standards

Universal Sign Clamp for Roll-Up Signs  
(patent pending)



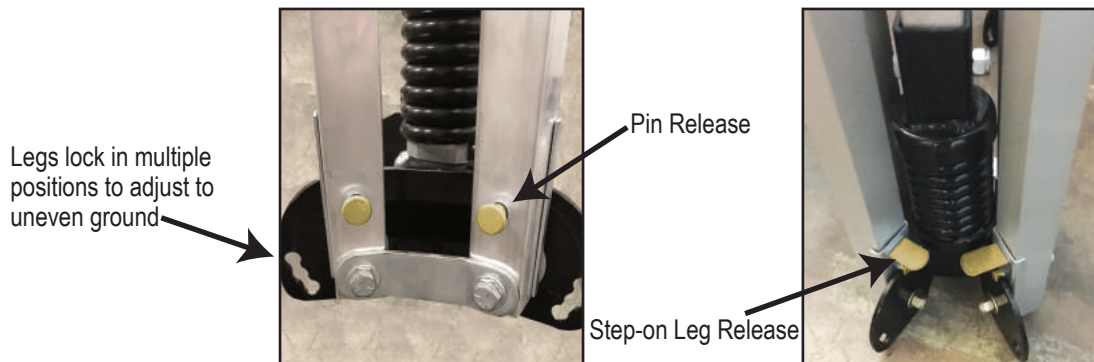
**PLASTICADE®**

# COMPACT SINGLE SPRING SIGN STANDS FOR ROLL-UP SIGNS



Specs	
Material	Steel - Orange Powder Coated Aluminum
Model SS310	Steel - Orange Powder Coated Aluminum
Model SS310A	Aluminum
Sign Mounting Height	13" from ground
Top of 48" Sign	82" H maximum
Size Folded	6"W x 7"D x 24.5"H
Size Open legs collapsed footprint	28" x 44"
Size Open legs fully extended footprint	40" x 65"
Weight	
Model SS310	23 lbs.
Model SS310A	18 lbs.
Included Bracket	Universal Roll-Up Sign Clamp

## LEG RELEASE SYSTEM



**PLASTICADE®**

100 Howard Avenue  
Des Plaines, IL 60018  
phone (800) 772-0355  
fax (847) 966-8074

[Plasticade.com](http://Plasticade.com)