

# COMPACT SPRINGLESS SIGN STANDS FOR ROLL-UP SIGNS

**MASH  
APPROVED**



No Spring



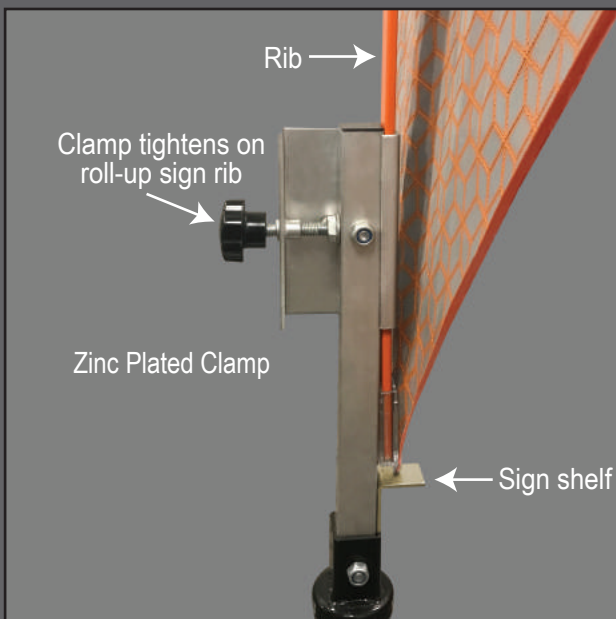
Model SS300



Model SS300A

- Holds roll-up signs 36" & 48"
  - universal compact sign clamp, zinc plated steel, grabs and tightens on roll-up rib
- Legs are extendable
  - lock in multiple positions to adjust to uneven ground
- Non-skid rubber feet
- Replacement parts and assemblies available
- MASH Accepted for 48" roll-up signs, WZ-351
- Meets MUTCD Standards

Universal Sign Clamp for Roll-Up Signs  
(patent pending)



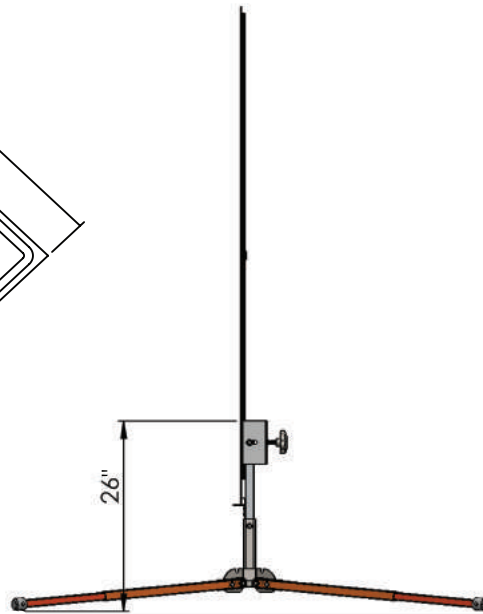
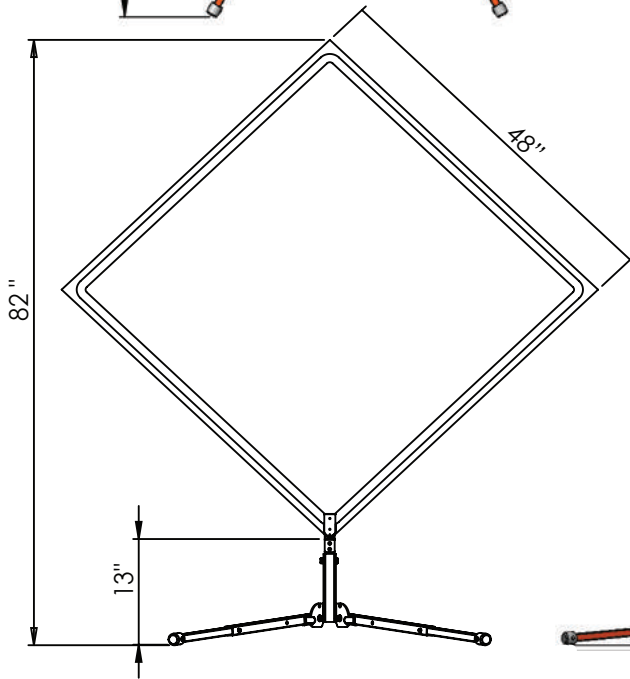
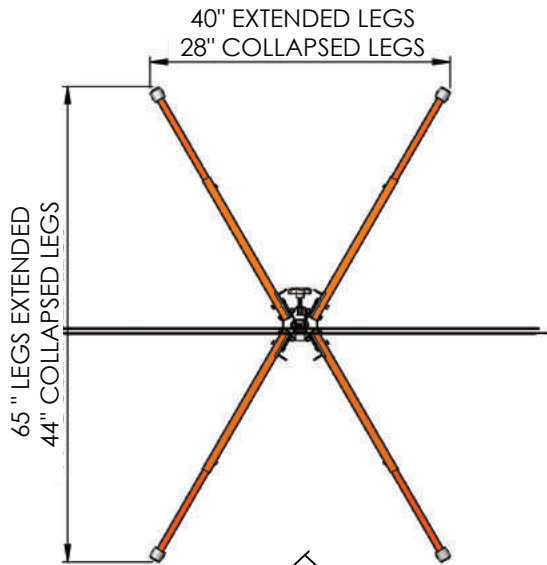
Plasticade.com

TF051 Rev. 3

# COMPACT SPRINGLESS SIGN STANDS FOR ROLL-UP SIGNS

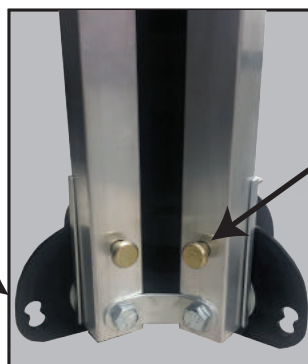
## Specs

Material	Steel - Orange Powder Coated Aluminum
Model SS300	Steel - Orange Powder Coated Aluminum
Model SS300A	Aluminum
Sign Mounting Height	13" from ground
Top of 48" Sign	82" H maximum
Size Folded	6"W x 7"D x 24.5"H
Size Open legs collapsed footprint	28" x 44"
Size Open legs fully extended footprint	40" x 65"
Weight	
Model SS300	21 lbs.
Model SS300A	16 lbs.
Included Bracket	Universal Roll-Up Sign Clamp



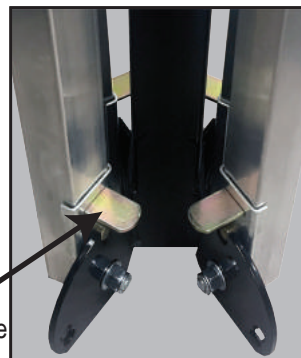
## LEG RELEASE SYSTEM

Legs lock in multiple positions to adjust to uneven ground.



Pin Release

Step-on Leg Release



**PLASTICADE®**

100 Howard Avenue  
Des Plaines, IL 60018  
phone (800) 772-0355  
fax (847) 966-8074

[Plasticade.com](http://Plasticade.com)