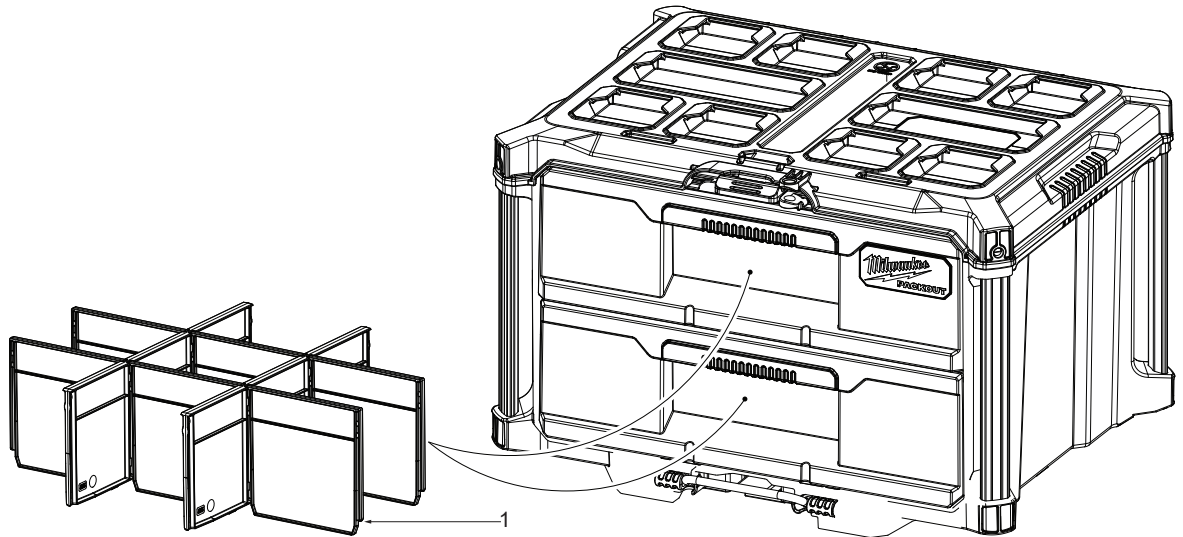




# SERVICE PARTS LIST

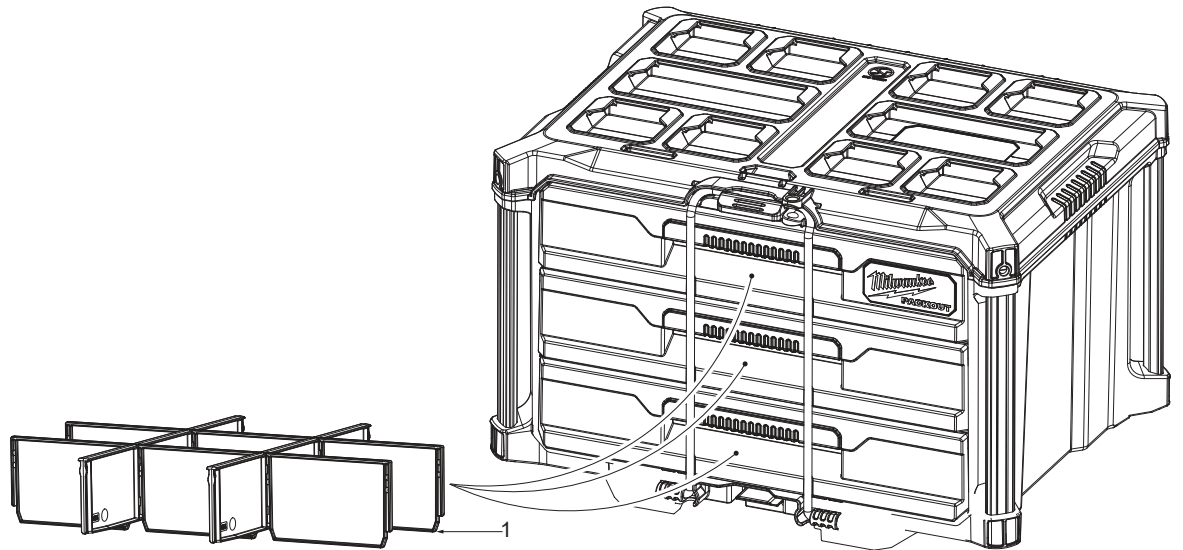
**BULLETIN NO.**  
**54-49-8406**

SPECIFY CATALOG NO. AND SERIAL NO. WHEN ORDERING PARTS		REVISED BULLETIN	DATE
<b>PACKOUT™ Drawers</b>			Oct. 2024
CATALOG NO.	48-22-8442 page 1 48-22-8443 page 1 48-22-8444 page 2 48-22-8447 page 2	SERIAL NUMBER	WIRING INSTRUCTION



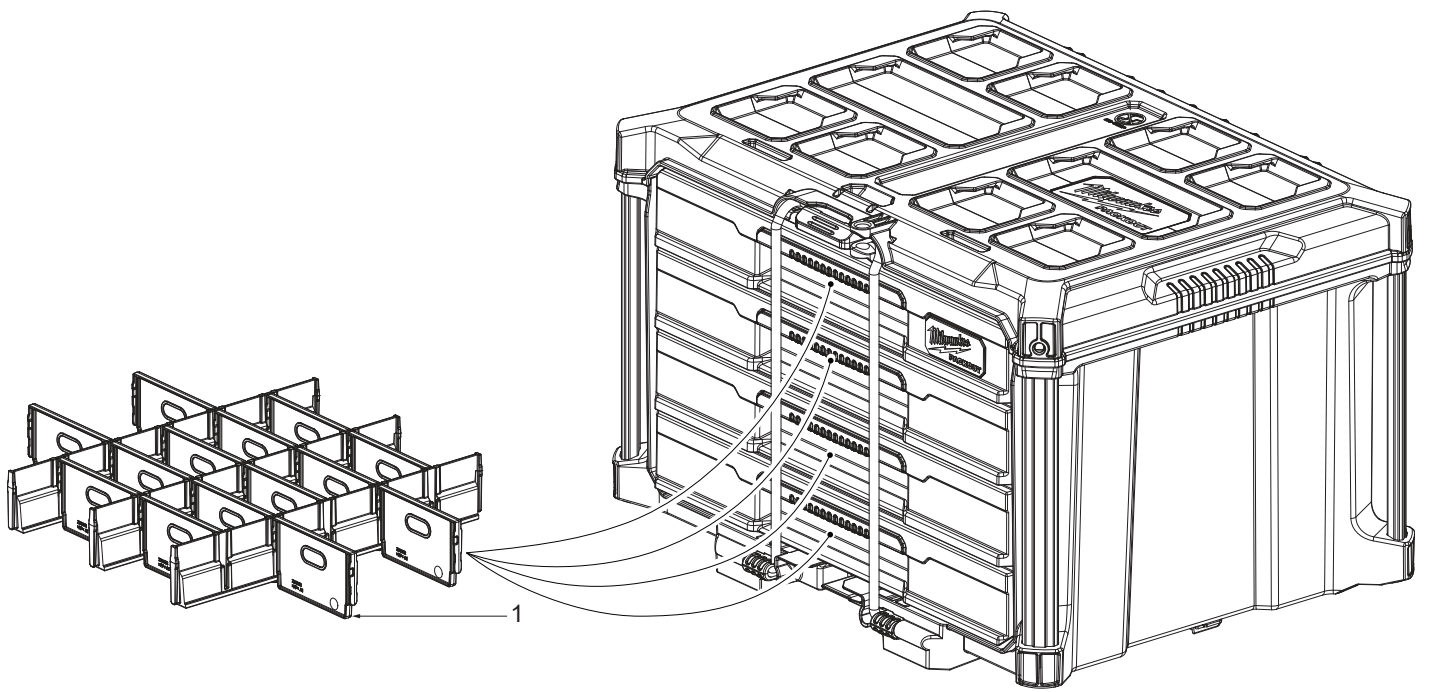
### 48-22-8442 PACKOUT™ 2 Drawer Tool Box

FIG.	PART NO.	DESCRIPTION OF PART	NO. REQ.
1	14-46-8475	Drawer Divider (Set of 1)	(2)



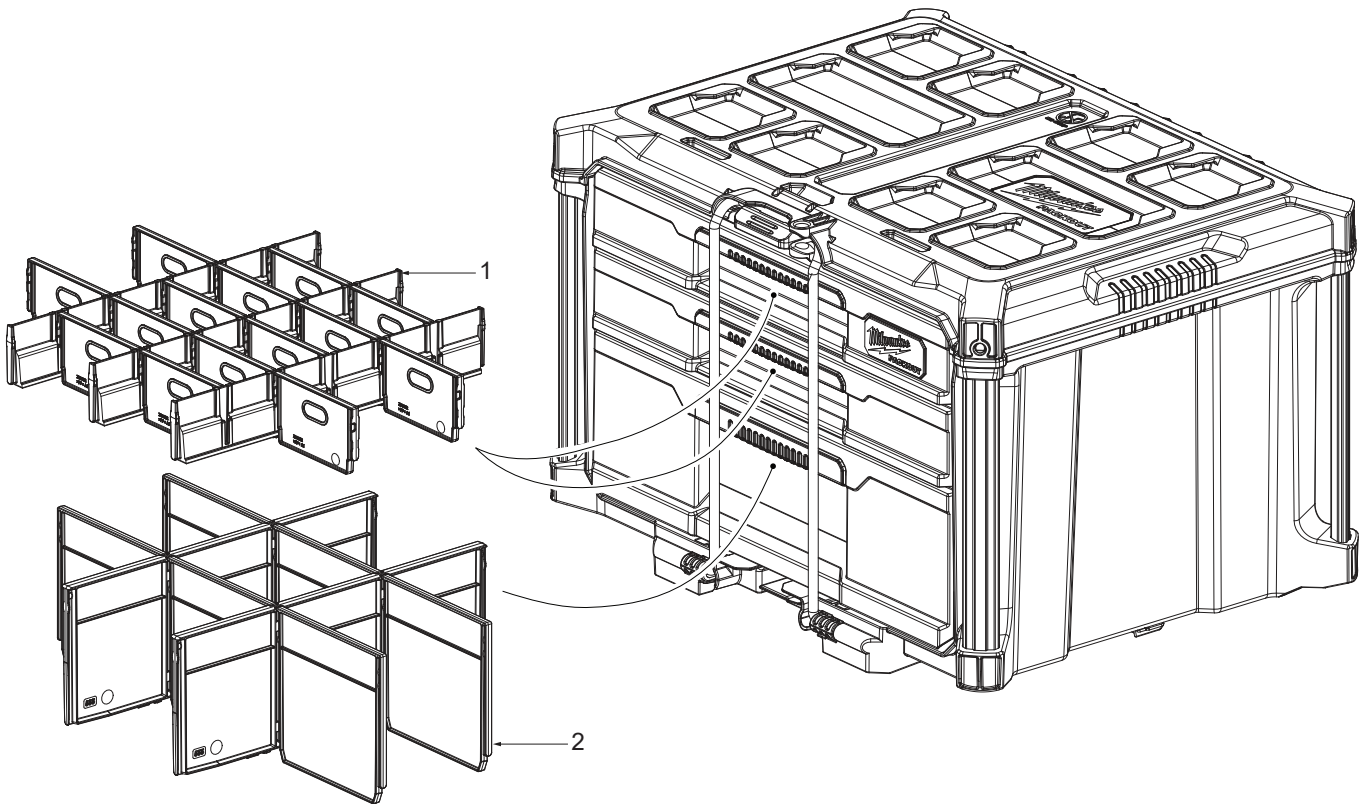
### 48-22-8443 PACKOUT™ 3 Drawer Tool Box

FIG.	PART NO.	DESCRIPTION OF PART	NO. REQ.
1	14-46-8473	Drawer Divider (Set of 1)	(3)



**48-22-8444 PACKOUT™ 4 Drawer Tool Box**

FIG.	PART NO.	DESCRIPTION OF PART	NO. REQ.
1	14-46-8472	Drawer Divider (Set of 2)	(2)



**48-22-8447 PACKOUT™ Multi-Depth 3-Drawer Tool Box**

FIG.	PART NO.	DESCRIPTION OF PART	NO. REQ.
1	14-46-8472	Drawer Divider (Set of 2)	(1)
2	14-46-8475	Drawer Divider (Set of 1)	(1)