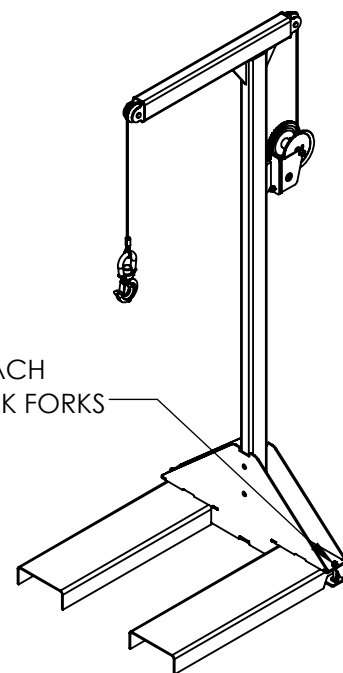
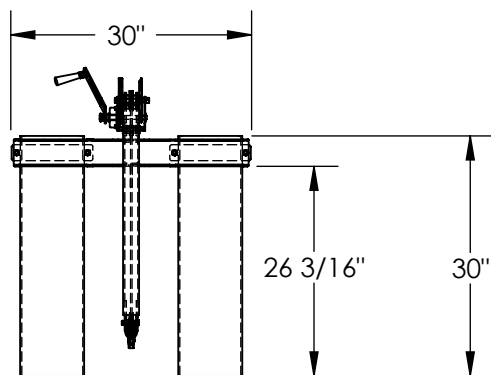


PALLET TRUCK HOIST - PJ-LIFT

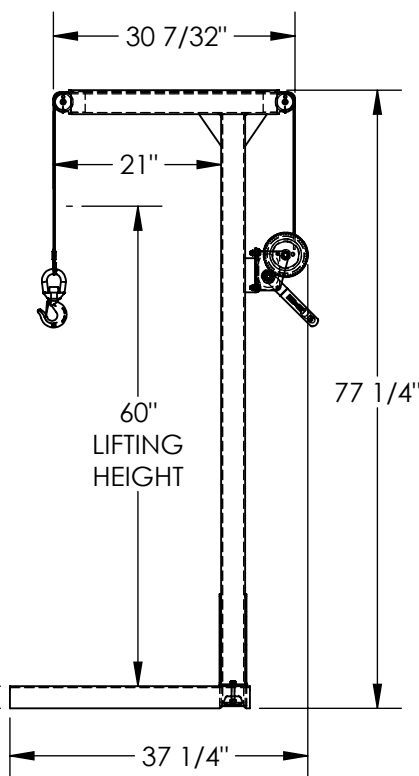
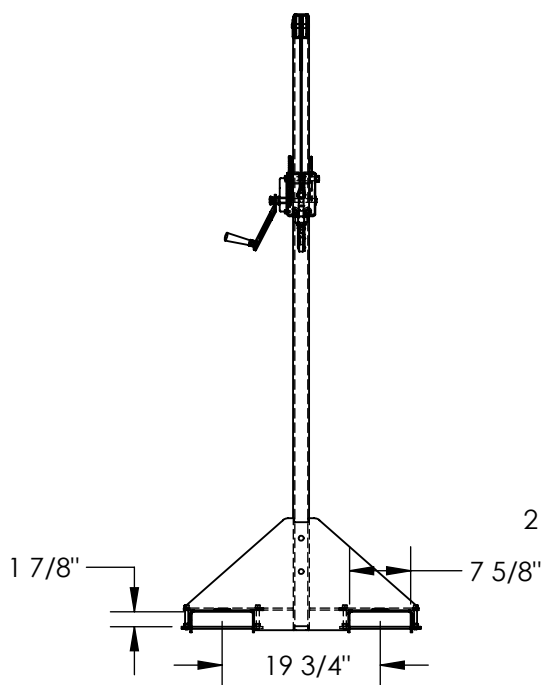
APPROX WEIGHT: 137.29 lbs.
DOES NOT INCLUDE WEIGHT OF POWER OR PACKAGING!!!

ANY ADDITIONS, DELETIONS, OR OMISSIONS MUST BE CORRECTED ON THIS DRAWING AS THIS DRAWING WILL BE CONSIDERED ALL INCLUSIVE



(2) BOLTS ON EACH FORK TO EASILY ATTACH UNIT TO PALLET TRUCK FORKS

3-D VIEW FOR REFERENCE



ALL GRAPHICS PROVIDED ARE FOR REFERENCE ONLY. IF CERTAIN DIMENSIONS ARE CRITICAL PLEASE VERIFY THOSE DIMENSIONS WITH YOUR SALESPERSON

STANDARD FEATURES

- MODEL NUMBER IS PJ-LIFT
- CAPACITY IS 500 LBS.
- QUICKLY SECURES TO A STANDARD 27" X 48" PALLET TRUCK
- OVERALL WIDTH IS 30"
- OVERALL LENGTH IS 37 1/4"
- OVERALL HEIGHT IS 77 1/4"
- 19 3/4" FORK POCKET CENTERS
- FORK POCKETS ARE 7 5/8" WIDTH X 1 7/8" HEIGHT
- LIFT HEIGHT IS 60"
- LOWER LOAD ONTO FORKS BEFORE MOVING LOADED UNIT
- DURABLE BAKED IN POWDER COATED BLUE FINISH

SPECIAL FEATURES

NONE

A P P R O V A L	I, THE UNDERSIGNED, AGREE THAT THE PRODUCT AS REPRESENTED SATISFIES DESIGN AND DIMENSION REQUIREMENTS. I ALSO ACKNOWLEDGE MY DUTY TO CONFIRM PRODUCT AND INSTALLATION COMPLIANCE WITH ALL APPLICABLE FEDERAL, STATE AND LOCAL REGULATIONS AND STANDARDS.	
	UNITS REQUIRING APPROVAL DRAWINGS OR MODIFIED ARE NON-RETURNABLE	
	[] As drawn [] As marked	
	Signed: _____ Date: _____	
Printed Name: _____		
<i>LEAD TIME WILL START UPON RECEIPT OF SIGNED APPROVAL DRAWING</i>		

DISTRIBUTOR'S NAME:		P.O.#
VESTIL MANUFACTURING		X
DRAWN BY: J BRANDT		DATE: 5/19/10
REFERENCE: X		SALES: X
QUOTED LEAD TIME: X		SCALE: 1:24
QUOTE # X		FILE NAME: 28-007-271