

Assembly Instructions

UCF00-S0002

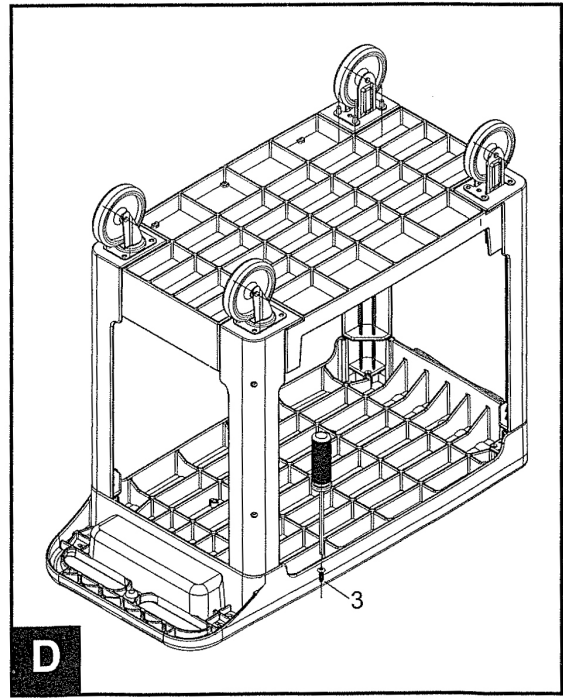
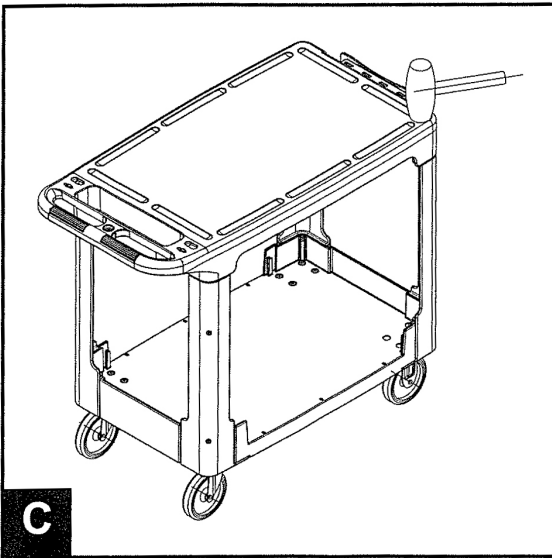
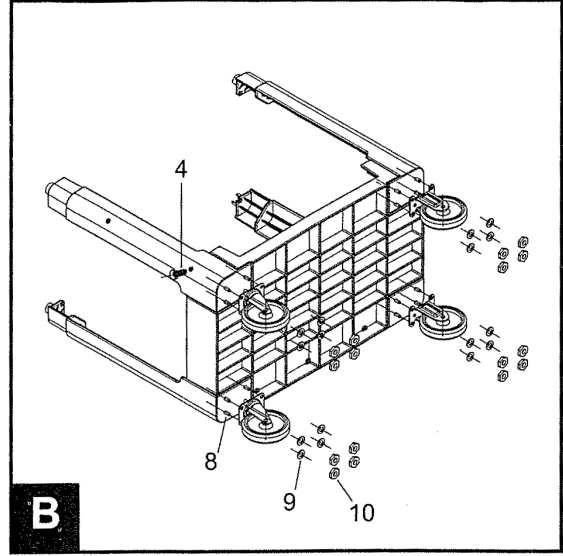
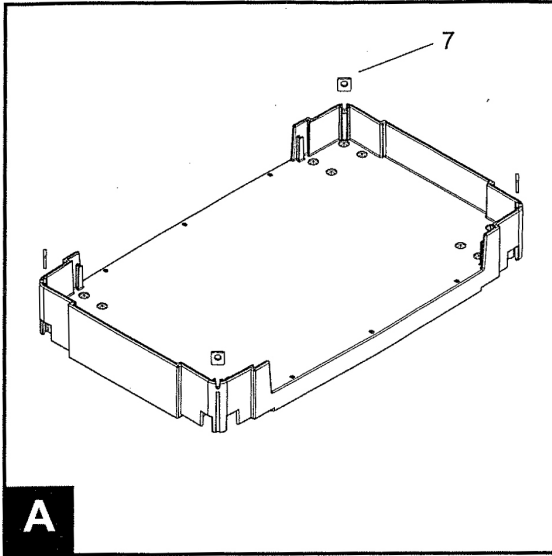


For questions or concerns, please call **1-800-424-0422**
Fill our warranty claim form on **www.toter.com** if any issues

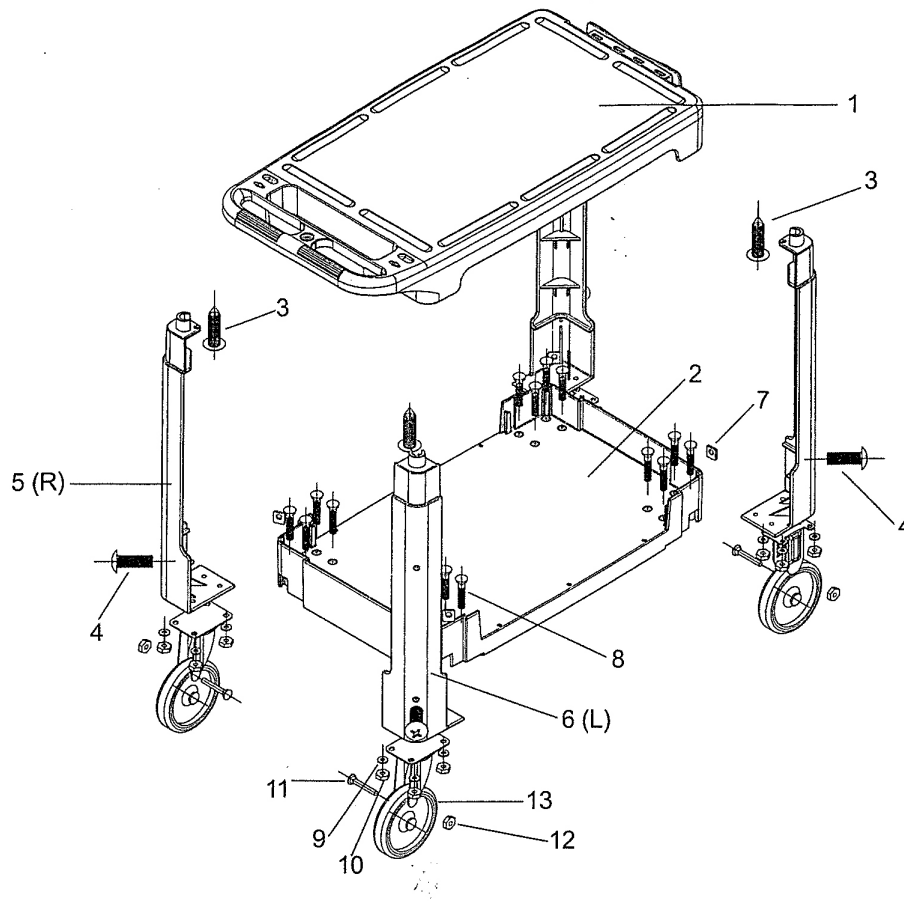
Caution: Read all instructions and safety tips before using this product.

Toter[®]
Built for Extremes[®]

Instructions



Exploded Cart Diagram



NUMBER	DESCRIPTION	QUANTITY
1	DECK PLATE	1
2	TABLE-BOARD	1
3	SCREW	4
4	SCREW	4
5	LEG (R)	2
6	LEG (L)	2
7	NUT	4
8	SCREW	16
9	WASHER	16
10	NUT	16
11	SCREW	4
12	NUT	4
13	WHEEL	4

IMPORTANT SAFETY INSTRUCTIONS!

READ ALL INSTRUCTIONS BEFORE USING THIS PRODUCT!

- **WARNING:** When using product, basic safety precautions should always be followed to reduce the risk of personal injury and damage to equipment.

WARNING!

- Keep work area clean. Cluttered areas invite injuries.
- Observe work area conditions. Keep work area well lighted.
- Store idle equipment. When not in use, the Service Cart must be stored in a safe and clean location. Always lock up products and keep out of reach of children.
- Use the right product for the job. There are certain applications for which the Service Cart was designed. Do not modify the Service Cart and do not use the Service Cart for a purpose for which it was not intended.
- Check for damaged parts. Before using any product, any part that appears damaged should be carefully checked to determine that it will operate properly and perform its intended function. Check for any broken or damaged parts and any other conditions that may affect its operation. Replace or repair damaged or worn parts immediately.
- Re.placement parts and accessories. When servicing, use only identical replacement parts. Use of any other parts will void the warranty.
- Do not operate product if under the influence of alcohol or drugs. Read warning labels on prescriptions to determine if your judgment or reflexes are impaired while taking drugs. If there is any doubt, do not operate the product.
- Use eye protection. Always wear ANSI approved impact safety goggles.
- Do not exceed the product's maximum load capacity of 500 Lbs.
- Only use on a flat surface capable of supporting the Service Cart and its maximum capacity load of 500 Lbs . It is easy to lose control of the Service Cart if attempting to pull a load on a sloping or uneven surface.
- Do not allow children to play on, stand upon or climb on the Service Cart. The Service Cart is not for carrying people or animals.
- Always check hardware and assembled parts after assembling. All connections should be tight and hardware tightened.
- Always distribute objects in the Service Cart evenly. Uneven weight distribution could cause tipping. Do not lean or climb on the Service Cart.

WARNING!

- The warnings, cautions, and instructions discussed in this instruction manual cannot cover all possible conditions and situations that may occur. It must be understood by the operator that common sense and caution are factors which cannot be built into this product, but must be supplied by the operator.

CAUTION!

Light Use And Care

- Do not force the product. Products are safer and do a better job when used in the manner for which they are designed. Plan your work, and use the correct product for the job.
- Check for damaged parts before each use. Carefully check that the product will operate properly and perform its intended function. Replace damaged or worn parts immediately. Never operate the product with a damaged part.
- Store the product when it is not in use. Store it in a dry, secure place out of the reach of children. Inspect the tool for good working condition prior to storage and before re-use .

Specific Operation Warnings

WARNING!

- Do not exceed the rated load capacity of 500 lbs.
- Be aware of dynamic loading. A sudden loading movement may briefly create an excess load causing product failure.
- Do not allow riders.
- Use only on a hard level surface.
- Inspect before each use. Do not use if parts are damage

WARNING!

- This product may contain chemicals known to the State of California to cause cancer, birth defects or other reproductive harm.