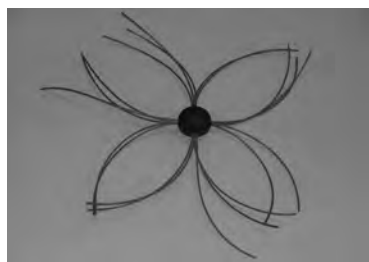


# **SootEater**<sup>®</sup> Rotary Chimney Cleaning System

## Operator's Manual

Thank you for purchasing the **SootEater**<sup>®</sup> Rotary Chimney Cleaning System. Please follow the important safeguards and operating instructions included within this manual before operating the system. It may be necessary to reference additional publications to provide further safety and operating procedures.

The **SootEater**<sup>®</sup> System Includes:



1 – Chimney Whip



6 – 3' Long Flexible  
Chimney Rods



1 – Drill Adapter  
1- Hex Key

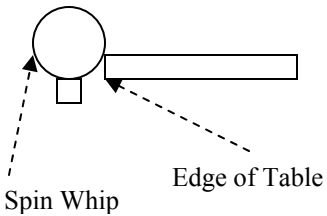
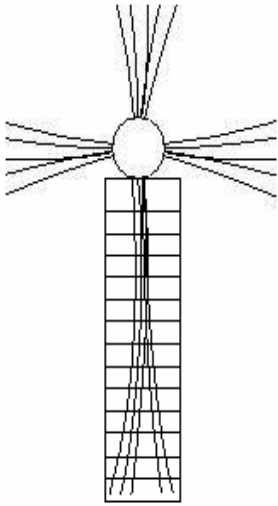


1 – 52" x 48"  
Fireplace/Stove  
Opening cover

# Spin Whip Trim Guide

↑ ↑  
Place this edge even with edge of table

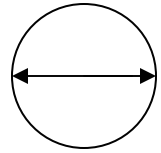
4" Dia.		
		5" Dia.
6" Dia.		
		7" Dia.
8" Dia.		
		9" Dia.
10" Dia.		
		11" Dia.
12" Dia.		
		13" Dia.
14" Dia.		
		15" Dia.
16" Dia.		
		17" Dia.
18" Dia.		



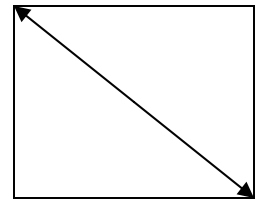
## Measuring Flue

Cut Whip Line  $\frac{1}{4}$  inch longer than measured flue dimension

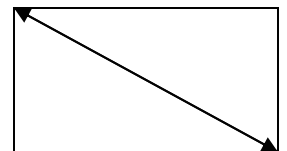
## Round Flues



## Square



## Rectangular



### Instructions for Trimming Whip Line

1. Lay Trim Guide on table with edge of Trim Guide even with edge of table.
2. Touch edge of Spin Whip ball to edge of table so that one set of strands lay extended across Trim Guide.
3. Mark each strand at the desired length with pen or marker.
4. Repeat for remaining sets of strands.
5. Cut strands on marked areas.

**Note: For whip line replacement, please see page 7**

# Contents

Why Clean Your Chimney.....	4
When to Inspect & Clean Your Chimney.....	4
Types of Chimney Deposit.....	4
Tools Required.....	4
<b>General Safety &amp; Operating Tips.....</b>	<b>5, 6 &amp; 7</b>
<b><u>Cleaning Wood Stove Chimneys:</u></b>	
Getting Started.....	8
<b>Cleaning Wood Stove Chimneys from “<u>Bottom Up</u>” “<u>With Vacuum</u>”:</b>	
<i>Method 1:</i> Cleaning through stove door opening.....	9
<i>Method 2:</i> Cleaning through stove pipe .....	9
<i>Method 3:</i> Cleaning through chimney cleanout w/vacuum in stove.....	10
<i>Method 4:</i> Cleaning through chimney cleanout w/vacuum in thimble .....	11
<b>Cleaning Wood Stove Chimneys from “<u>Bottom Up</u>” “<u>Without a Vacuum</u>”:</b>	
<i>Method 1:</i> Cleaning through stove door or flue pipe opening “without a vacuum” .....	12
<i>Method 2:</i> Cleaning through chimney cleanout “without a vacuum” .....	13
<i>Method 3:</i> Cleaning through chimney cleanout w/thimble sealed off.....	14
<b>Cleaning Wood Stove Chimneys from “<u>Top Down</u>” ” <u>With Vacuum</u>”.....</b>	<b>15</b>
<b>Cleaning Wood Stove Chimneys from “<u>Top Down</u>” “<u>Without Vacuum</u>” .....</b>	<b>16</b>
<b>Finishing up.....</b>	<b>17 &amp; 18</b>
<b><u>Cleaning Fireplace Chimneys:</u></b>	
<b>Cleaning Fireplace Chimneys from “<u>Bottom Up</u>”.....</b>	<b>19 - 21</b>
<b>Cleaning Fireplace Chimneys from “<u>Top Down</u>”.....</b>	<b>22 - 25</b>
<b>Additional Accessories .....</b>	<b>26</b>

## **Disclaimer:**

The SootEater is designed to remove light to moderate “Soot” & “Creosote” deposits commonly found in chimneys as a result of burning wood. It is NOT designed for removing “Glaze” deposits, which are very difficult to remove. A professional chimney sweep should be called if glaze deposits are present.

The SootEater is intended for routine maintenance and cleaning of residential chimneys only. It is still necessary to have the complete chimney, fireplace and stove system inspected at least once a year by a professional chimney sweep. It is highly recommended that a “Certified” chimney sweep be used whenever possible.

The instructions in this manual are intended to provide a basic understanding of various types of cleaning methods. It is in no way designed or intended to take the place of a professional chimney sweep or to provide professional knowledge. This manual is NOT a training manual. All results and procedures may vary.

Due to conditions beyond our control Gardus, Inc. and all associates accepts no liability for property damage and/or personal injury due to the operation of these tools and accessories. By using this product the user accepts all responsibility and agrees to use the product at his/her own risk.

## **Limited Warranty:**

The SootEater™ and all accessories are designed for homeowner use only. All components are warranted for a period of 90 days from date of purchase. Should any part fail due to manufacturing defect, return the defective part to Gardus, Inc. and we will replace it free of charge. All parts must be returned and inspected to determine part failure. A return authorization number is required prior to returning any item.

Gardus, Inc. does not warranty failure of any part due to operator error. Be sure to read all operating instructions and safety precautions before operating any of the tools.

Manufacturer accepts no liability for property damage or personal injury resulting from the operation of these tools and accessories. This is the full extent of the warranty made by Gardus, Inc. There is no other expressed warranty. All implied warranties are hereby excluded.

### **Why Clean Your Chimney:**

All chimneys need periodic examination and cleaning to reduce the risk of a chimney fire and to ensure that the appliance vents to the outdoors properly. Creosote is flammable and can not only fuel a chimney fire but can also cause blockages, odors, deterioration, and smoking problems.

Periodic cleaning and proper burning throughout the season can help provide trouble-free performance. If a chimney fire has occurred, call a certified chimney professional to have the complete system inspected and any necessary repairs completed before using.

### **When To Inspect & Clean Your Chimney:**

Although frequency of cleaning varies dramatically, the National Fire Protection Association (NFPA) recommends that chimneys be inspected at least once a year and cleaned as necessary. Chimneys should be cleaned when soot and creosote accumulations are ¼ inch or more and when glaze is 1/8 inch or more.

### **Types of Chimney Deposits:**

There are three basic types of chimney deposits:

**Soot** – Soot has a soft, fluffy texture with a black or brown color.

**Creosote** – Creosote is a by-product of incomplete combustion and can form hard brown or black flaky or bubbly deposits.

**Glaze** – Glaze is a black, shiny deposit that is a very tarry type of buildup. It is the most difficult to remove and normally requires the equipment and services of a professional chimney sweep.

## **Tools Required**

- ❑ Electric drill “With Clutch”(cordless or w/cord)
- ❑ Drop cloth
- ❑ Flashlight
- ❑ Pliers
- ❑ Screwdriver
- ❑ Duct tape
- ❑ Gloves
- ❑ Adequate respirator or dust mask
- ❑ Eye protection
- ❑ Proper skin protection & clothing
  
- ❑ Vacuum w/fine dust filter and HEPA filter  
(Used for sheetrock dust)

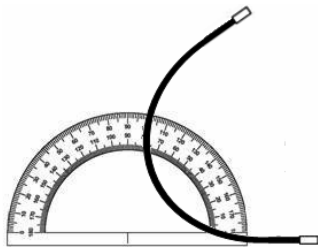


# General Safety & Operating Tips

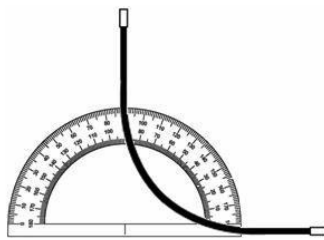
- ❑ Always wear appropriate eye protection, clothing, gloves and respirator or dust mask.
- ❑ Work on ladders and roofs should only be attempted by experienced individuals that have the proper knowledge and ability to execute all safety procedures.
- ❑ Be aware of all electrical hazards when working with ladders and all other equipment.
- ❑ Keep all loose clothing tucked in to prevent being tangled in rotating rods.
- ❑ Add one rod at a time when spinning into chimney.

## CAUTION

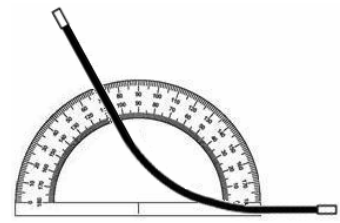
- To avoid rod breakage, never spin rods in sharp/tight bend angles as shown below!
- Always use a “Back & Forth” motion while spinning rods to prevent screws in flue pipe from cutting through rods.



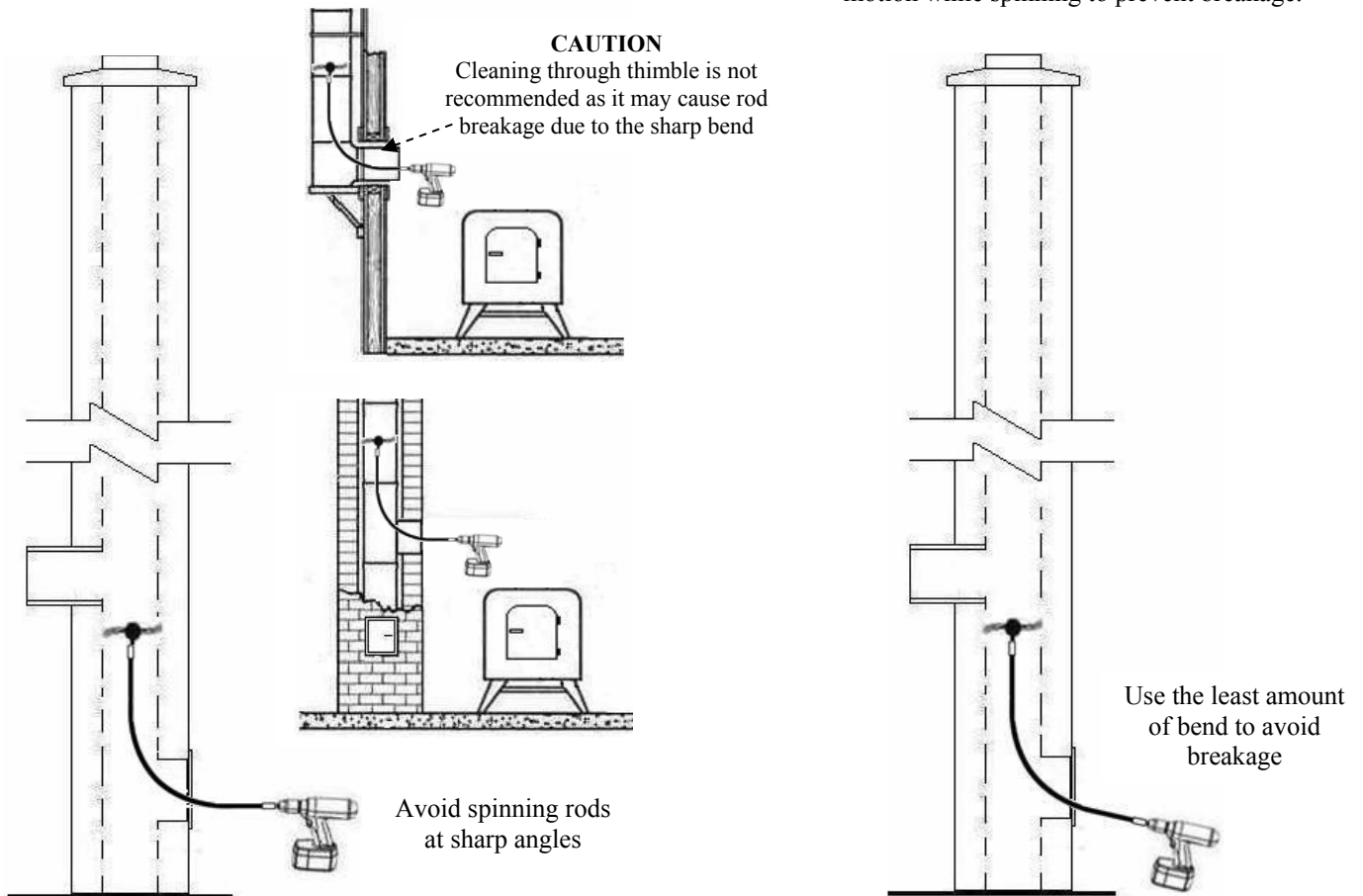
Wrong!  
Rods will break if spun at this tight bend radius.



Not Recommended!  
Rods may break if spun at this angle.



Correct!  
Spin rods at the least amount of angle for best results. Always use a “Back & Forth” motion while spinning to prevent breakage.



## General Safety & Operating Tips (cont.)

### Connecting Rods:

1. Depress button and slip rods together
2. Be sure button is fully engaged and rods are locked together before spinning into chimney.



### Disconnecting Rods:

1. Use pointed end of hex key (included) to depress button. Use a slight angle when depressing button to help push rods apart.

**Caution:** Be very careful not to drop the rods into the chimney if cleaning from the top down.

### How to tell when you've reached the "Top" of the chimney flue:

#### **If cleaning from the bottom up;**

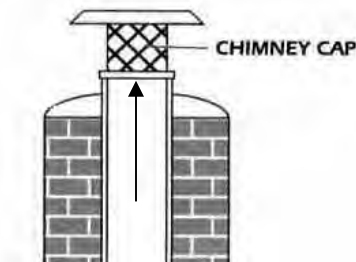
- A. ***With rain cap installed:*** spin rods and whip up into chimney until you hear & feel the whip contact the under side of cap. Use **caution when approaching the height of the cap. Go slowly when feeding rods upward to prevent pushing cap off chimney.**
- B. ***Without rain cap installed:*** When the whip exits top of chimney, the rods will spin more freely resulting from less torque on rods.

### How to tell when you've reached the "Bottom" of the chimney flue:

#### **If cleaning from the top down;**

- A. You may want to drop a rope or string down chimney to measure height prior to rotary cleaning. This will indicate how many rods will be needed. Use caution when approaching the bottom of flue to avoid punching through plastic (if used).
- B. You may also lower the whip into the chimney one rod at a time ***without spinning*** until you reach the bottom and then spin rods as you pull them out of chimney.

### Cleaning the Rain Cap:



Spin the "Chimney Whip" up into the screening of the chimney cap in one direction and then the opposite direction to clean all corners of the cap.

**Note:** Most caps are larger than the chimney flue. It may be necessary to clean cap before trimming whip to fit chimney flue.

**Use caution when approaching the height of the cap. Go slowly when feeding rods upward to prevent pushing cap off chimney.**

# General Safety & Operating Tips (cont.)

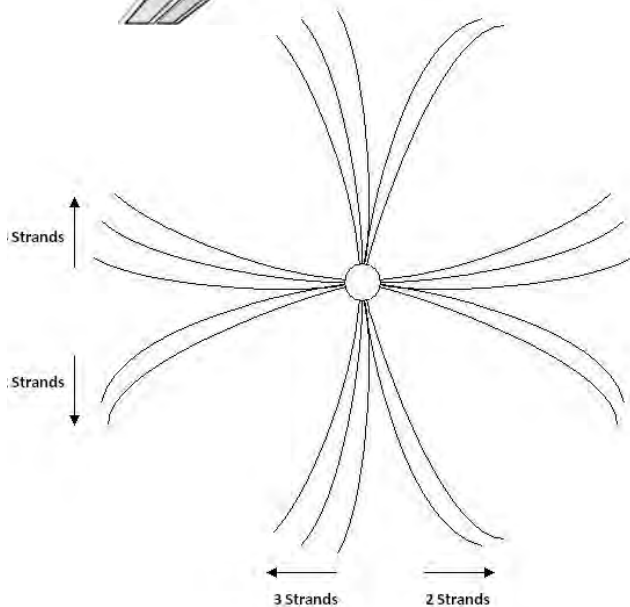
## Replacing Whip Line:

### **Removing Old Whip Line:**

1. Use 3/16 hex key (included) to loosen set screw (3/8-16 x 1/2"L) located inside steel fitting on whip head.
2. If whip line is hard to pull out of whip head, use a small "flat blade" screwdriver on the top & bottom of each hole to help flatten the metal sleeve around whip line.
3. Once whip line is removed from ball, use screwdriver to push metal sleeve out of whip head.



Use .105" dia. "Star" shaped trimmer line



### **Inserting New Whip Line:**

1. Cut 10 strands of .105" dia. trimmer line to a length of 18" or to desired length to meet your needs depending on flue dimension.
2. Place whip head on solid flat surface with the fitting facing "up".
3. Insert 5 strands through each metal sleeve then slide into holes in whip head. Be sure metal sleeve is centered in ball.
4. If no metal sleeves were used around whip line, place 5 strands into each hole of whip head and proceed to next step.
5. Center strands in whip head and follow pattern to left.
6. Hold strands firmly in place while tightening with hex key.
7. Trim whip line to desired length using trim guide on page 1.

### **Sealing openings with plastic:**

1. Cut plastic to fit over opening.
2. Cut hole in plastic if inserting vacuum hose or rod through plastic. Keep hole slightly smaller than object being inserted through hole.
3. Use duct tape to seal edges of plastic and around all other objects.





# Cleaning Wood Stove Chimneys

## Important:

- Read all safety precautions & operating instructions before starting.
- Be sure entire stove & chimney are completely cooled down.
- Do Not attempt to clean any chimney if there is a down draft. (air blowing back into the home)
- Wear proper eye protection and respirator as well as protective clothing.
- Exercise proper ladder safety & operating techniques.
- If the stove cannot be accessed for cleaning and removal of loosened soot, take precautions to prevent soot from falling into areas within the stove that may not be accessible while you're rotary cleaning the chimney.
- **Only use a shop vacuum with a fine dust filter (used for sheetrock dust) and a HEPA filter installed when working inside your home to control dust!!**
- **You may also leave the vacuum outside and run the vacuum hose to the inside.**

## Getting Started:

1. Lay drop cloth on floor to protect work area in front of fireplace opening.
2. **Initial Inspection:** Open damper or completely remove and look into chimney with a flashlight. Determine type of soot build-up in chimney and configuration of smoke chamber and flue.  
**Important Note:** If black shiny glazing is present, it will be necessary to have the chimney inspected and possibly cleaned by a professional chimney sweep.
3. Once you have chosen a cleaning method from the following pages and have taken all precautions to control the dust while cleaning, trim the "Chimney Whip" to the proper size to fit the inside dimension of your chimney. (See "Trim Guide" on page 1)
4. Attach the "Chimney Whip" to one rod and then feed the whip into the chimney flue.
5. Insert the "Drill Adapter" into the drill and begin spinning the whip upward into the chimney flue one rod at a time with a back and forth motion.

**Spin whip in both directions to clean square & rectangular flues**

### **Square & Rectangular Flues:**

6. If chimney flue is square or rectangular, spin whip in one direction the whole length of one rod, then reverse direction of drill and spin whip in opposite direction while working the rod in and out to clean opposite corners of the flue. Repeat this method for each rod added until you reach the top of chimney flue.

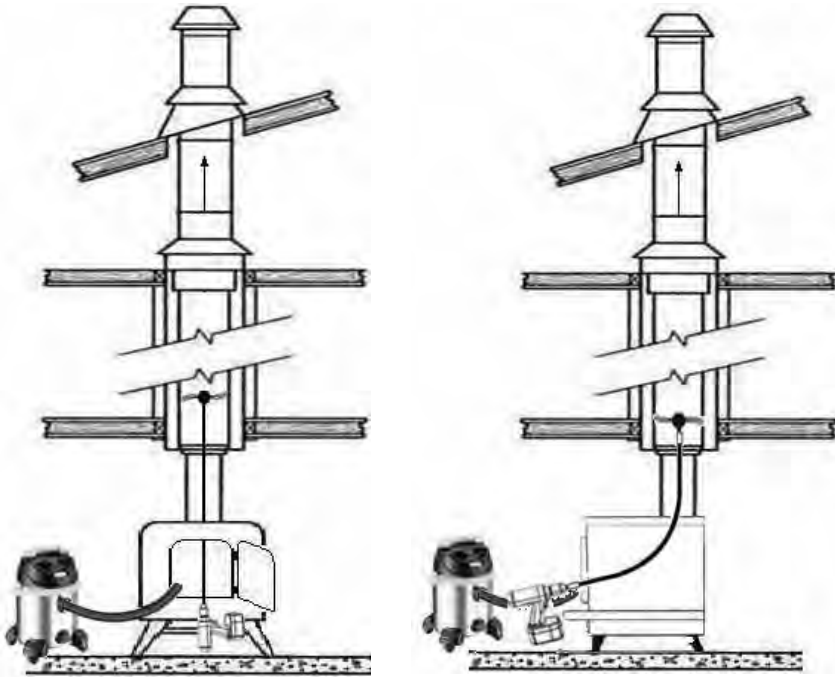


# Cleaning Wood Stove Chimneys from the “Bottom Up” “Using a Vacuum”

## Method 1:

### Cleaning Through Stove Door Opening:

Caution: This method can only be used if you have direct access to the chimney flue from inside the stove without creating a tight bend radius while cleaning.



**Step 1- Important:** Read all information on pages 5, 6, 7 & 8 before proceeding.

**Step 2-** Insert vacuum hose into stove.

**Step 3-** Feed rods & whip into flue.

**Step 4-** Turn on vacuum.

**Step 5-** Seal off part of opening with plastic & duct tape if necessary.

**Step 6-** Rotary clean through stove and up into stove pipe and chimney flue.

#### **Caution:**

- Always use a “Back & Forth” motion while spinning rods to prevent screws in flue pipe from cutting through rods.
- Always spin rods at angles “less than 90 deg.

**Step 7-** See pages 17 & 18 for instructions on finishing up.

## Method 2:

### Cleaning Through Stove Pipe:

**Step 1- Important:** Read all information on pages 5, 6, 7 & 8 before proceeding.

**Step 2-** Remove elbow or “Tee” fitting connecting stove to vertical flue pipe.

**Step 3-** Insert vacuum hose into stove pipe & secure.

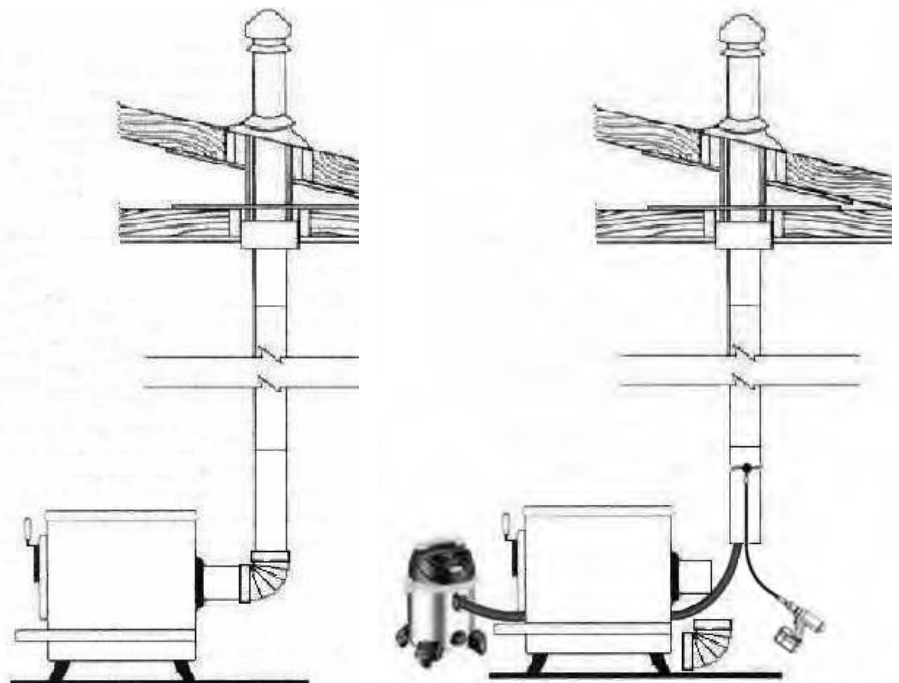
**Step 4-** Feed rods & whip into flue.

**Step 5-** Turn on vacuum.

**Step 6-** Seal off part of opening with plastic & duct tape if necessary.

**Step 7-** Rotary clean through stove pipe and up into chimney flue.

**Step 8-** See pages 17 & 18 for instructions on finishing up.



# Cleaning Wood Stove Chimneys from the “Bottom Up” “Using a Vacuum” (cont.)

## Method 3:

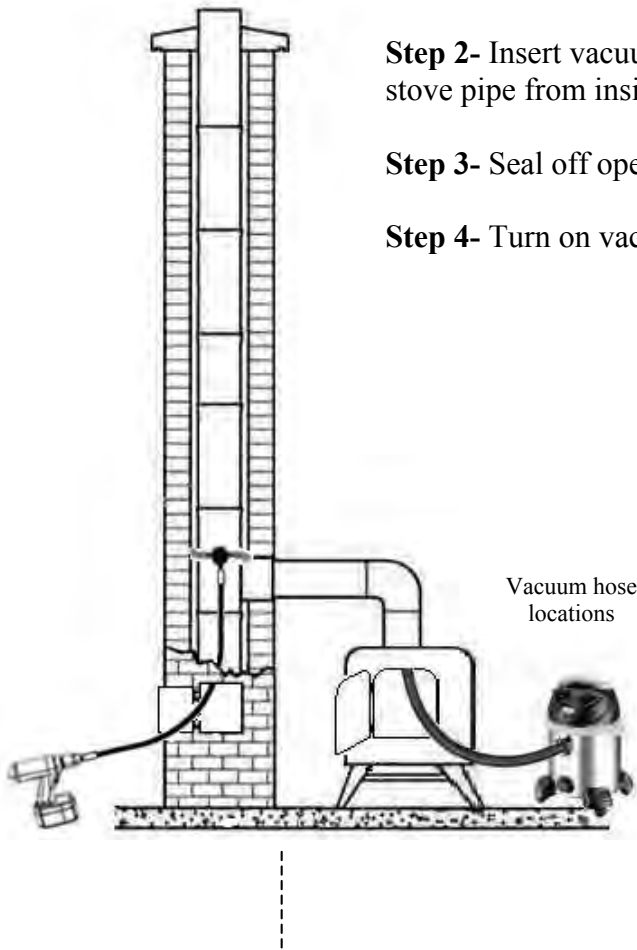
### Cleaning through Chimney Cleanout w/Vacuum Placed in Stove

**Step 1- Important:** Read all information on pages 5, 6, 7 & 8 before proceeding.

**Step 2-** Insert vacuum hose into stove or into stove pipe from inside stove.

**Step 3-** Seal off opening with plastic & duct tape.

**Step 4-** Turn on vacuum.

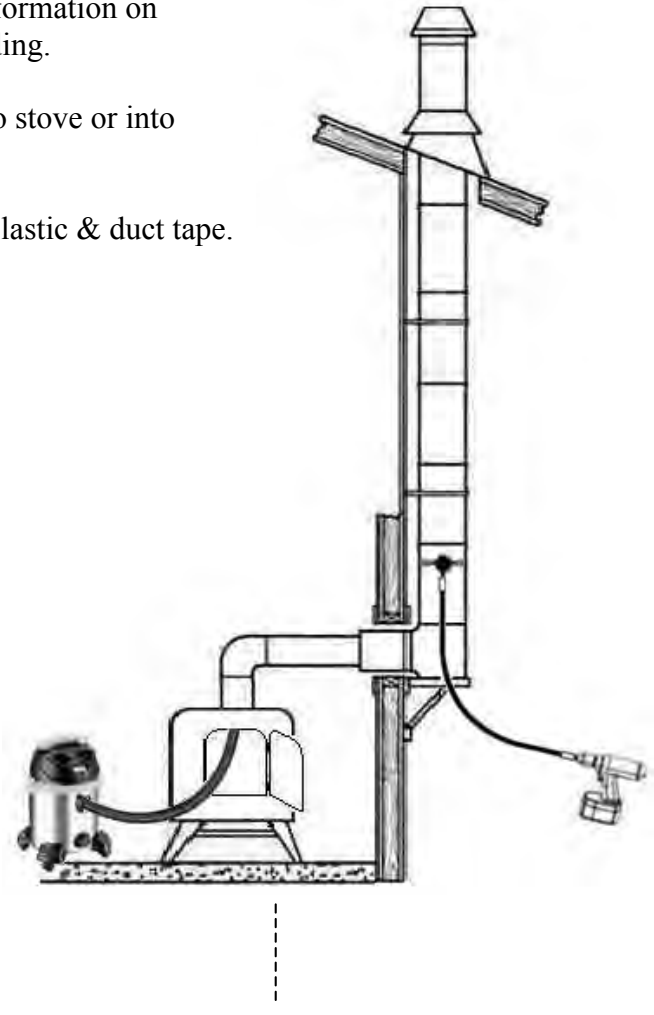


#### Cleaning Through Clean Out Door

**Step 5-** Open cleanout; insert whip and rod into flue.

**Step 6-** Rotary clean through cleanout door from bottom up.

**Step 7-** See pages 17 & 18 for instructions on finishing up.



#### Cleaning Through Clean Out Tee

**Step 5-** Remove tee cover.

**Step 6-** Insert whip & rod into flue.

**Step 7-** Seal bottom of tee w/plastic. Poke hole in plastic, then feed rod through before sealing completely.

**Step 8-** Rotary clean through bottom of tee

**Step 9-** See pages 17 & 18 for instructions on finishing up.

# Cleaning Wood Stove Chimneys from the “Bottom Up” “Using a Vacuum” (cont.)

## Method 4:

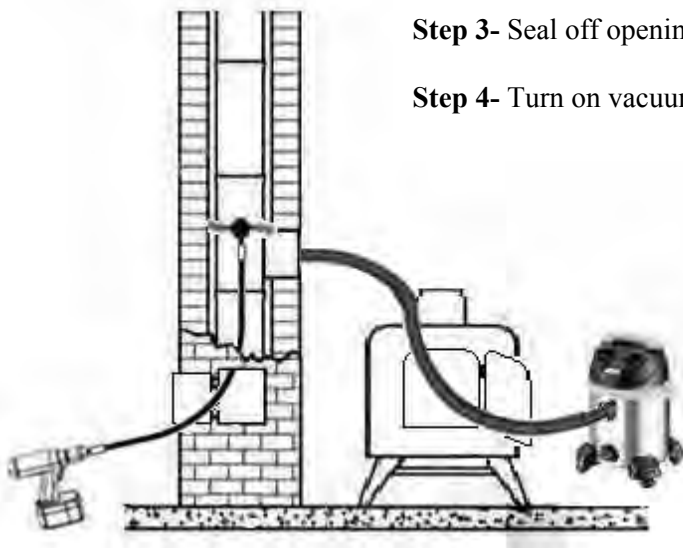
### Cleaning through Chimney Cleanout w/Vacuum in Thimble

**Step 1- Important:** Read all information on pages 5, 6, 7 & 8 before proceeding.

**Step 2-** Insert vacuum hose into stove pipe or thimble.

**Step 3-** Seal off opening with plastic & duct tape.

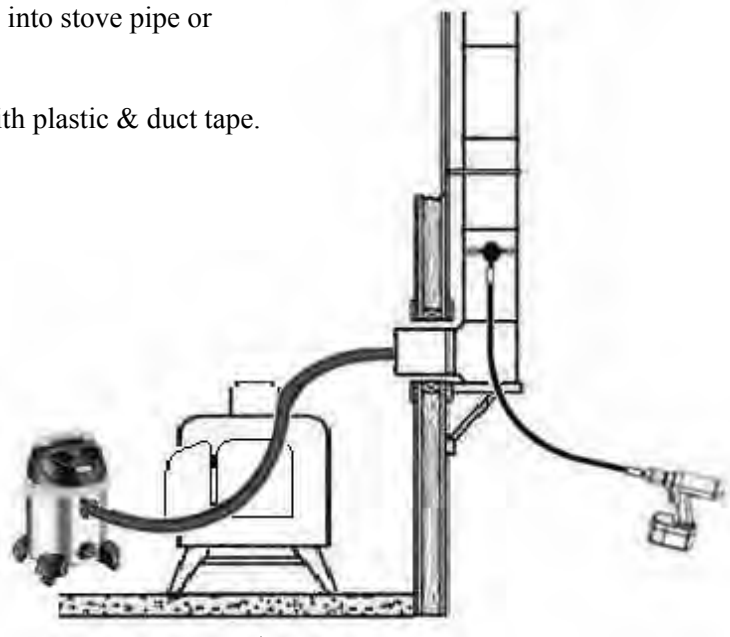
**Step 4-** Turn on vacuum.



**Step 5-** Open cleanout; insert whip and rod into flue.

**Step 6-** Rotary clean through cleanout door from bottom up.

**Step 7-** See pages 17 & 18 for instructions on finishing up.



**Step 5-** Remove tee cover.

**Step 6-** Insert whip & rod into flue.

**Step 7-** Seal bottom of tee w/plastic. Poke hole in plastic, then feed rod through before sealing completely.

**Step 8-** Rotary clean through bottom of tee

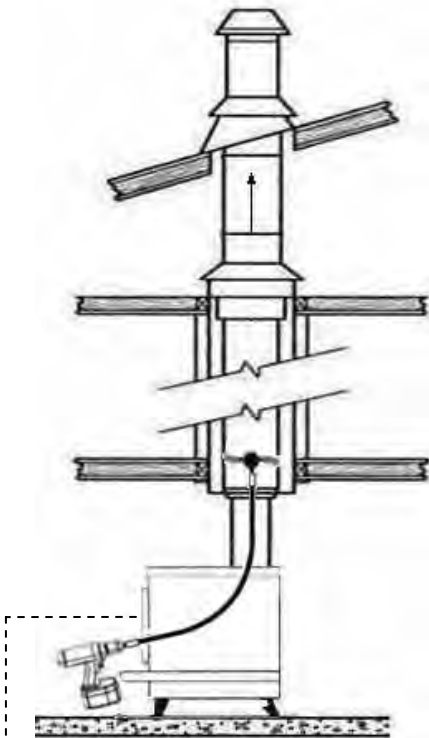
**Step 9-** See pages 17 & 18 for instructions on finishing up.

# Cleaning Wood Stove Chimneys from the “Bottom Up” “Without Vacuum”

## Method 1:

### Cleaning Through Stove Door Opening (Without Vacuum):

Caution: This method can only be used if you have direct access to the chimney flue from inside the stove without creating a tight bend radius while cleaning.



**Step 1- Important:** Read all information on pages 5, 6, 7 & 8 before proceeding.

**Step 2-** Feed rods & whip into flue through stove opening or into bottom of vertical flue as shown in diagrams.

**Step 3-** Seal off part (or all) of opening with plastic & secure with duct tape.

**Note:** Make a small hole in center of plastic and feed rod through hole before sealing.

**Step 4-** Rotary clean through stove and up into stove pipe and chimney flue.

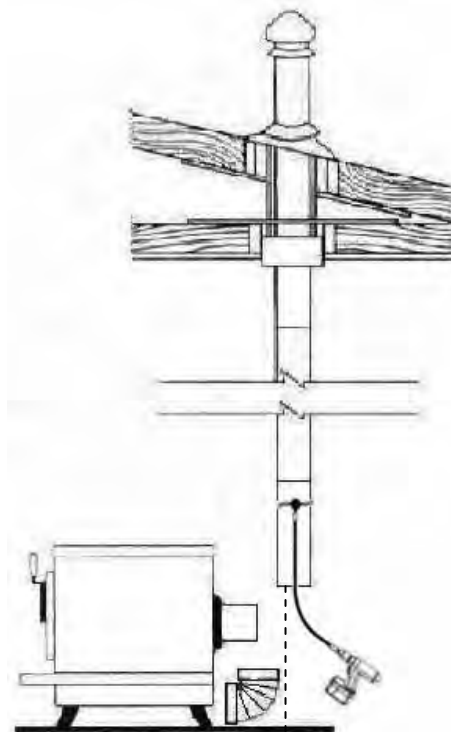
#### Caution:

- Always use a “Back & Forth” motion while spinning rods to prevent screws in flue pipe from cutting through rods.
- Always spin rods at angles “less than 90 deg.

**Step 5-** See pages 17 & 18 for instructions on finishing up.



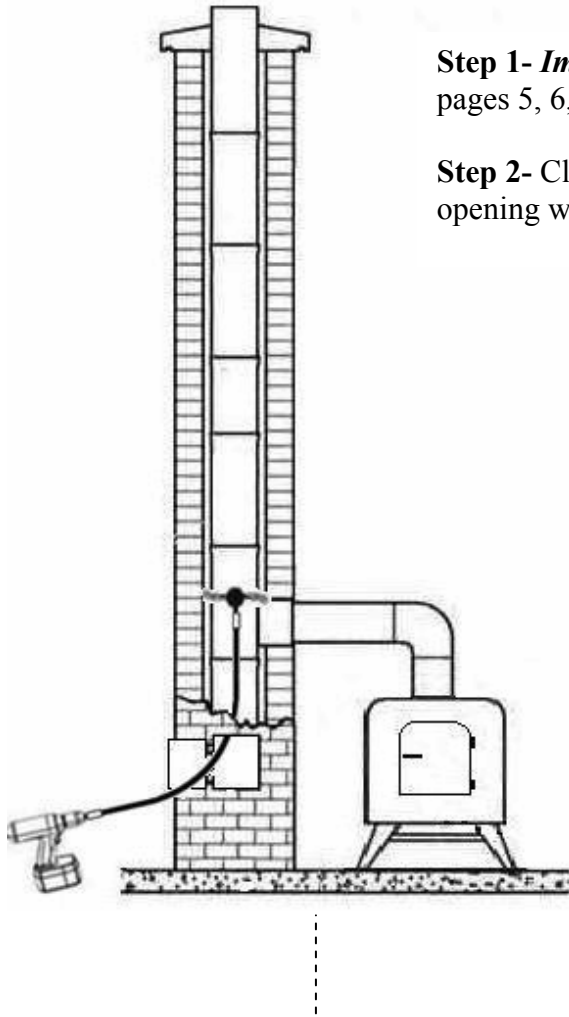
Seal stove opening or bottom of vertical flue pipe with plastic to help contain dust while rotary cleaning



# Cleaning Wood Stove Chimneys from the “Bottom Up” “Without Vacuum”(Cont.)

## Method 2:

### Cleaning through Chimney Cleanout “Without a Vacuum”:



**Step 1- Important:** Read all information on pages 5, 6, 7 & 8 before proceeding.

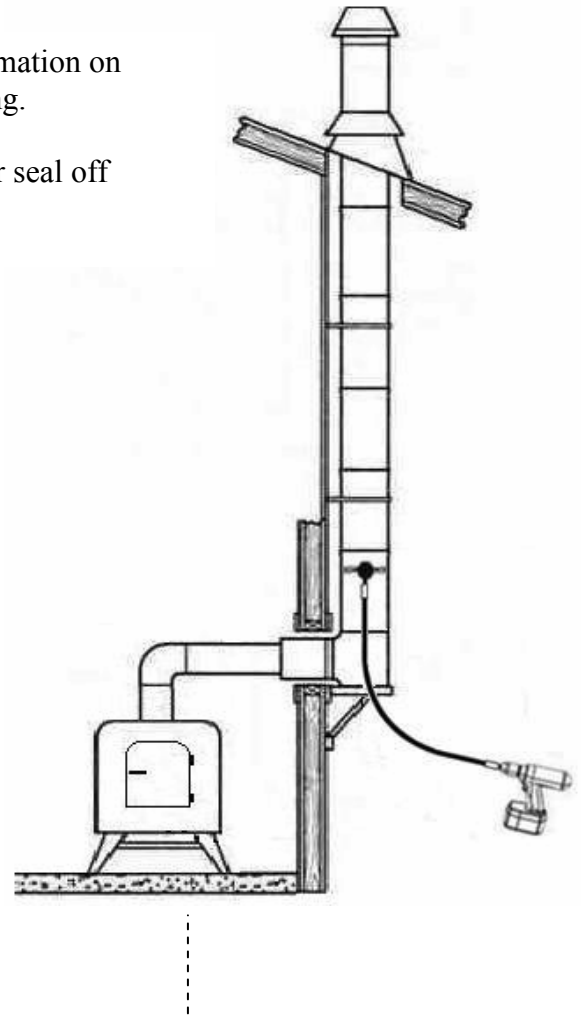
**Step 2-** Close stove door tightly or seal off opening with plastic & duct tape.

**Step 3-** Open cleanout; insert whip and rod into flue.

**Step 4-** Seal cleanout door w/plastic. Poke hole in plastic, then feed rod through before sealing completely.

**Step 5-** Rotary clean through cleanout door from bottom up.

**Step 6-** See pages 17 & 18 for instructions on finishing up.



**Step 3-** Remove tee cover.

**Step 4-** Insert whip & rod into flue.

**Step 5-** Seal bottom of tee w/plastic. Poke hole in plastic, then feed rod through before sealing completely.

**Step 6-** Rotary clean through bottom of tee

**Step 7-** See pages 17 & 18 for instructions on finishing up.

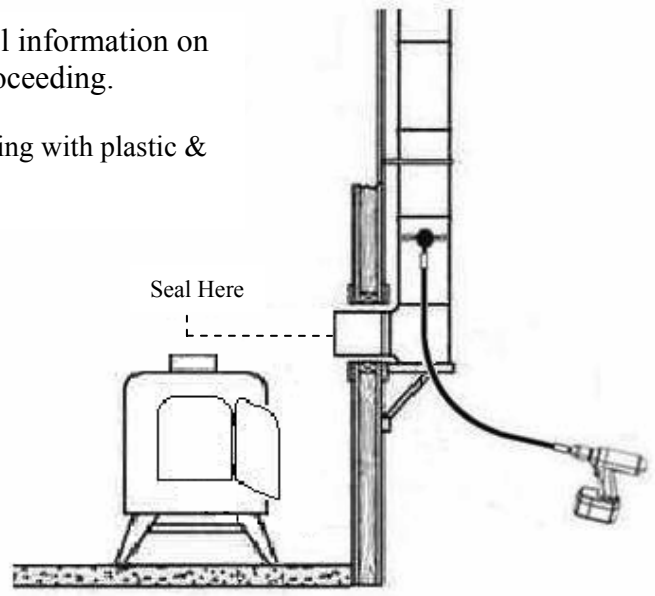
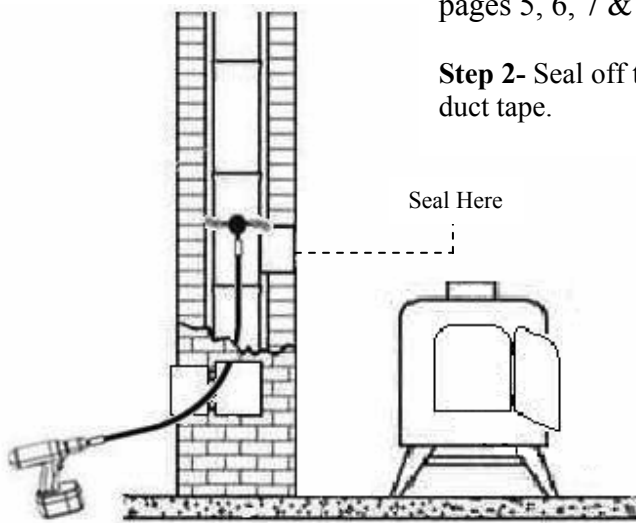
# Cleaning Wood Stove Chimneys from the “Bottom Up” “Without Vacuum”(Cont.)

## Method 3:

### Cleaning through Chimney Cleanout w/Thimble Sealed Off

**Step 1- Important:** Read all information on pages 5, 6, 7 & 8 before proceeding.

**Step 2-** Seal off thimble opening with plastic & duct tape.



**Step 3-** Open cleanout; insert whip and rod into flue.

**Step 4-** Seal cleanout door w/plastic. Poke hole in plastic, then feed rod through before sealing completely.

**Step 5-** Rotary clean through cleanout door from bottom up.

**Step 6-** See pages 17 & 18 for instructions on finishing up.

**Step 3-** Remove tee cover.

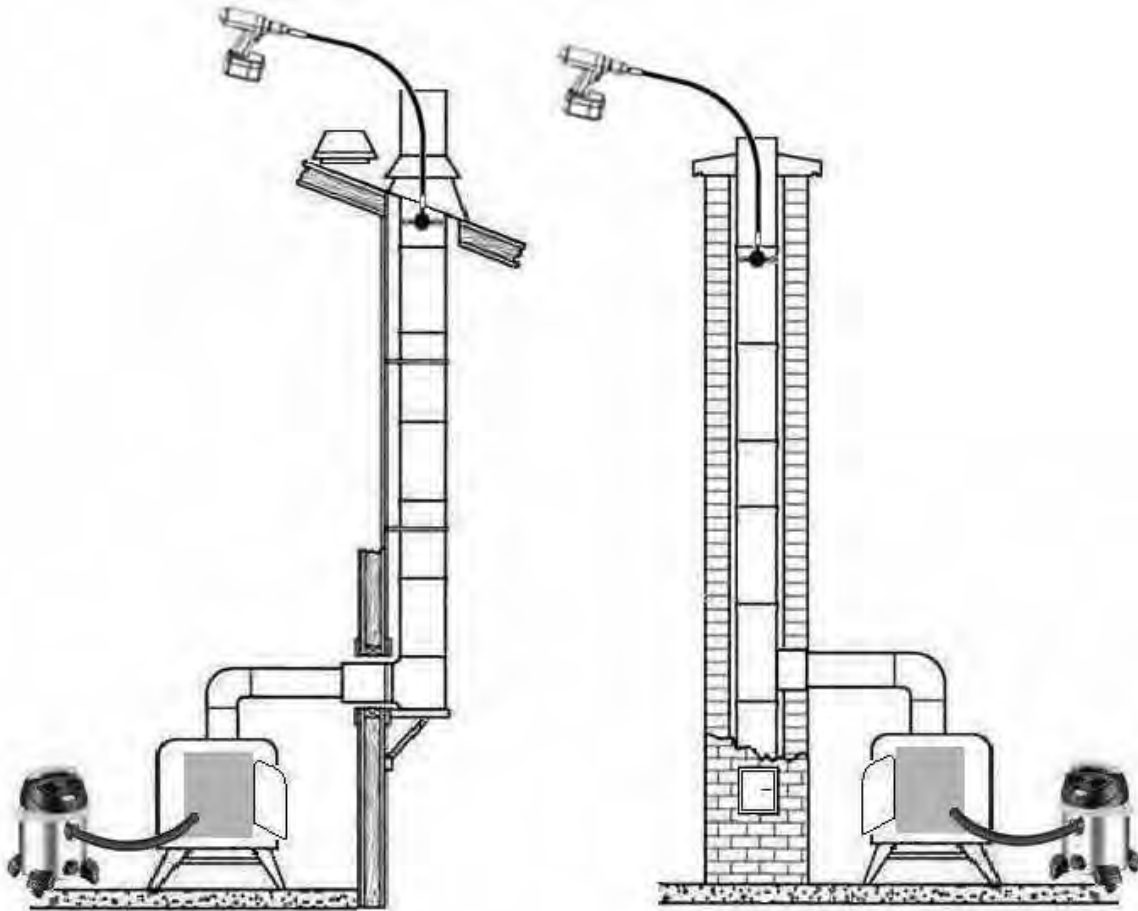
**Step 4-** Insert whip & rod into flue.

**Step 5-** Seal bottom of tee w/plastic. Poke hole in plastic, then feed rod through before sealing completely.

**Step 6-** Rotary clean through bottom of tee

**Step 7-** See pages 17 & 18 for instructions on finishing up.

## Cleaning Wood Stove Chimneys from the “Top Down” “With Vacuum”



**Step 1- Important:** Read all information on pages 5, 6, 7 & 8 before proceeding.

**Step 2-** Cover stove opening with plastic and seal with duct tape.

**Step 3-** Cut hole in plastic slightly smaller than vacuum hose O.D. then insert vacuum hose through plastic and into stove.

**Step 4-** Seal around vacuum hose with duct tape and turn on vacuum.

**Note:** This method can also be used to place vacuum hose into the chimney cleanout or tee.

**Step 5-** Insert whip & rod into chimney flue and begin spinning down into flue.

**Important Note:** Be very careful when adding or removing rods to prevent dropping them into flue. Stay up wind of dust while rotary cleaning.

**Step 6-** See pages 17 & 18 for instructions on finishing up.



# Cleaning Wood Stove Chimneys from the “Top Down” “Without Vacuum”

**Step 1- Important:** Read all information on pages 5, 6, 7 & 8 before proceeding.

**Step 2-** Close stove door and make sure all cleanout tees and doors are sealed tightly. If in doubt, seal all areas with plastic & duct tape. This goes for all stove pipe connectors as well.

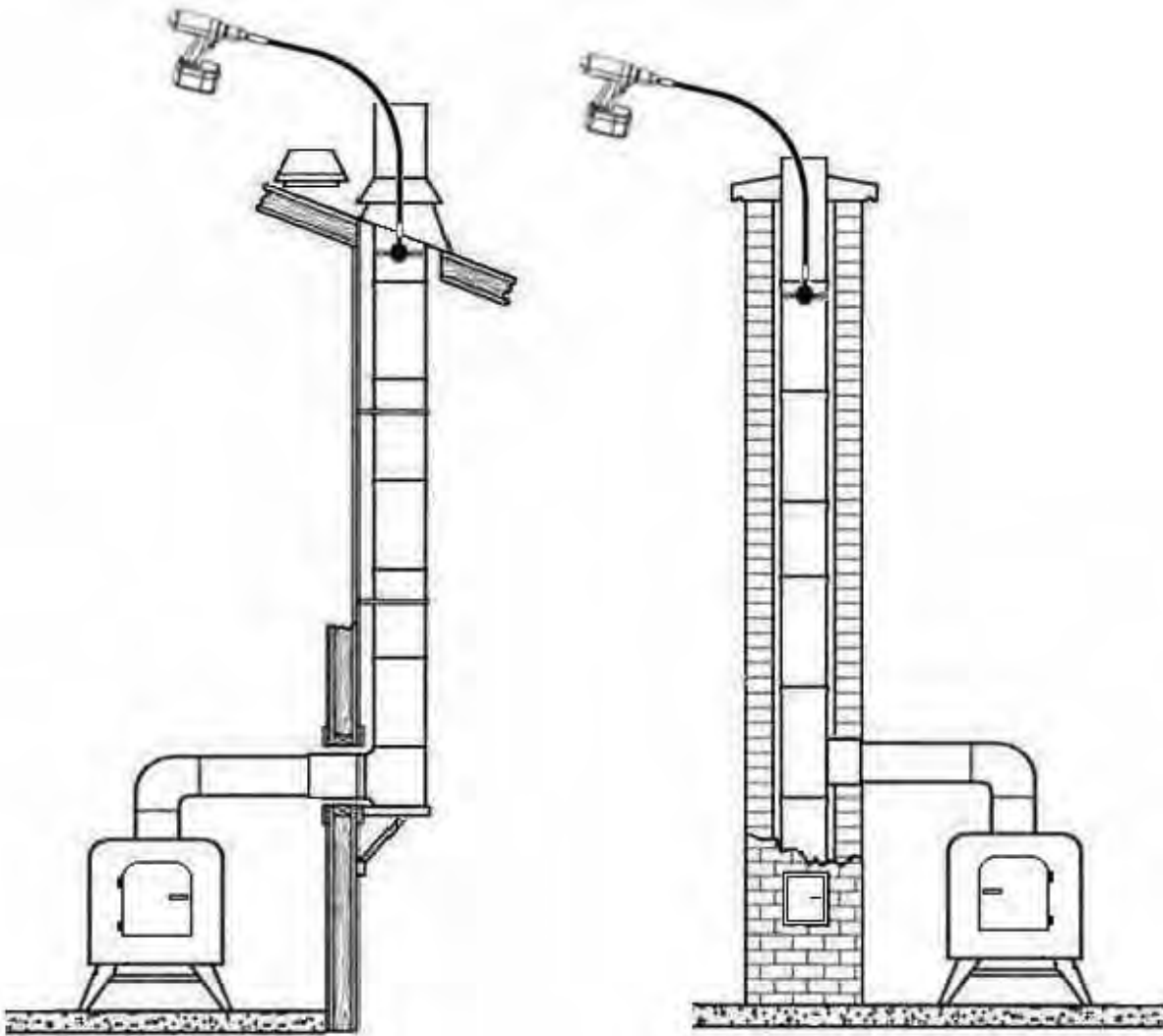
**Step 3-** Remove rain cap if applicable.

**Step 4-** Insert whip & rod into chimney flue and begin spinning.

**Important Note:** Be very careful when adding or removing rods to prevent dropping them into flue.

Stay up wind of dust while rotary cleaning.

**Step 5-** See pages 17 & 18 for instructions on finishing up.



# Finishing Up

## Once the chimney has been cleaned;

1. **Visual Inspection:** Use a powerful flashlight and a mirror if necessary to look into the chimney to make sure you have cleaned it completely.
2. **Remove all connector pipes** from the stove to the chimney and clean them in the same manner as mentioned above for cleaning the chimney. Be sure to take all of the same precautions for containing dust as mentioned above.
3. **Clean Stove Interior:** Remove all components of the stove necessary to clean and remove all debris from inside the stove. (refer to the manual that came with your stove for details)

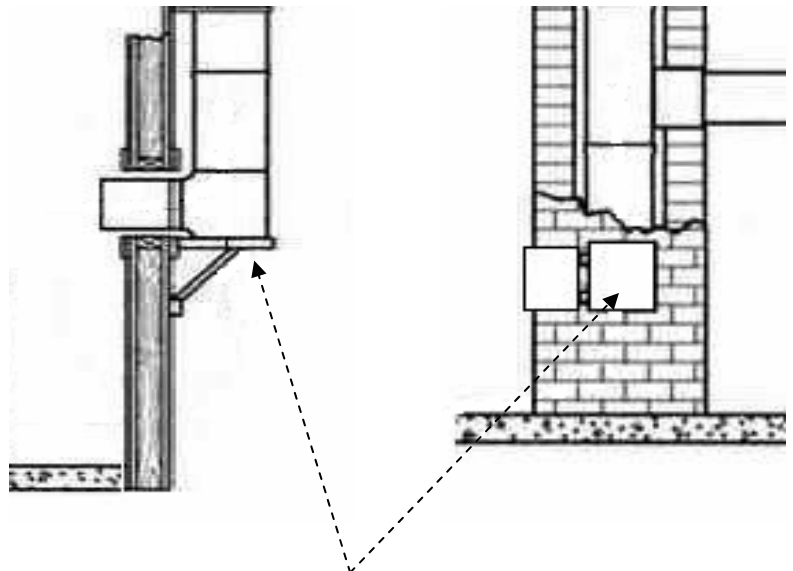
Take precautions to prevent soot from falling into areas within the stove that may not be accessible.



4. **Remove All Debris from Stove:** Once all areas of the stove interior and chimney flue are clean, remove all debris from inside stove. **Note:** If you don't have a vacuum, be extremely careful. Move slowly to minimize dust.

5. **Remove All Debris from Base of Chimney:** Remove debris from base of chimney through cleanout door or cleanout tee.

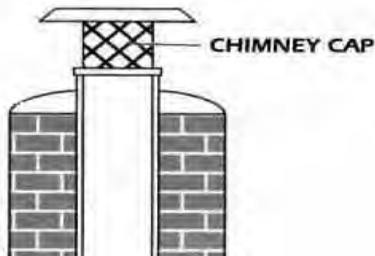
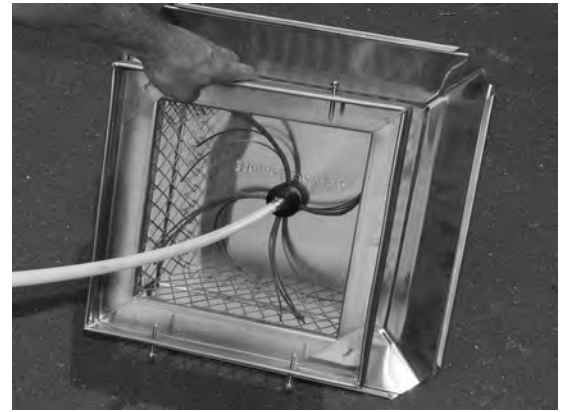
**Note:** Again, if you don't have a vacuum, be extremely careful. Move slowly to minimize dust.



**Remove Debris through Cleanout**

## Cleaning Chimney Cap:

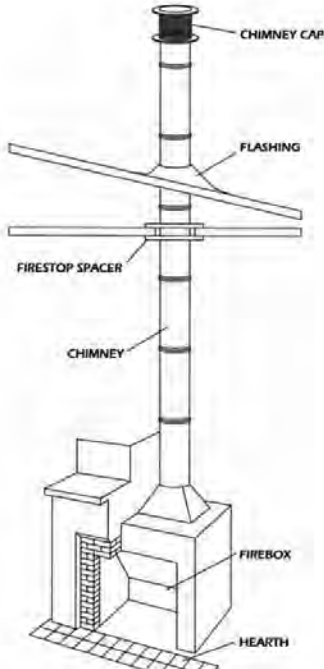
1. **Cleaning the rain cap:** Spin the “Chimney Whip” into the screening of the chimney cap in one direction and then the opposite direction to clean all corners of the cap. To clean the under side of the chimney cap lid, use either the whip or a hand brush to remove debris.



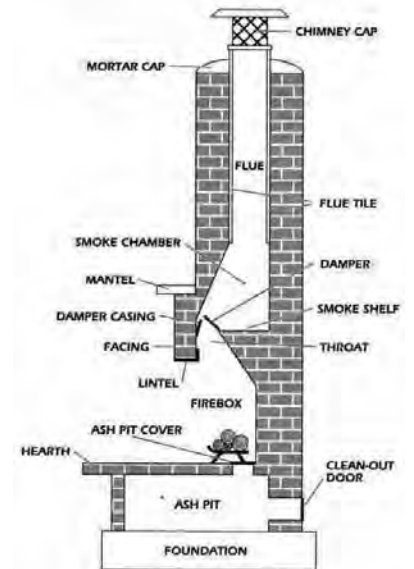
**Re-Install cap**

# Cleaning Masonry & Pre-Fab Fireplace Chimneys from the “Bottom Up”

## Typical Pre-Fab Fireplace



## Typical Masonry Fireplace



### Important:

- Read all safety & operating tips on pages 5, 6 & 7 before starting.
- Be sure entire fireplace & chimney are completely cooled down.
- Do Not attempt to clean any chimney if there is a down draft. (air blowing back into the home)
- Wear proper eye protection and respirator as well as protective clothing.
- Exercise proper ladder safety & operating techniques.

## Getting Started:

1. Lay drop cloth on floor to protect work area in front of fireplace opening.
2. **Initial Inspection:** Open damper or completely remove and look into chimney with a flashlight. Determine type of soot build-up in chimney and configuration of smoke chamber and flue.

**Important Note:** If black shiny glazing is present, it will be necessary to have the chimney inspected and possibly cleaned by a professional chimney sweep.

### 3. **Methods used to help Control Dust:**

#### Using Vacuum:

##### **Method 1:**

- a) Cover fireplace opening with plastic. Use duct tape to seal edges and all uneven surfaces around fireplace opening.
- b) Cut hole in plastic, insert vacuum hose through plastic and into firebox. Be sure to seal tightly around vacuum hose. Turn vacuum on.  
(Do not completely seal top corner of plastic yet)

#### **Note:**

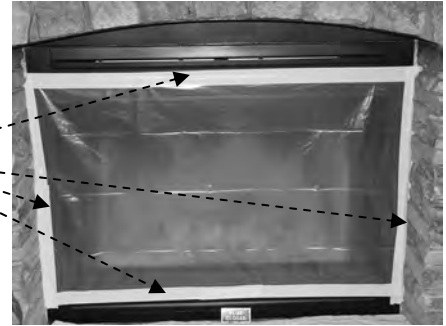
Only use a shop vacuum with a fine dust filter (used for sheetrock) and a HEPA filter installed when working inside home to control dust!!



# Cleaning Masonry & Pre-Fab Fireplace Chimneys from the “Bottom Up”(cont.)

## If You Don't Have a Vacuum:

If you don't have a vacuum, open damper, cover fireplace opening with plastic. Use duct tape to seal around edges to contain dust while rotary cleaning. (Do not completely seal top corner of plastic yet)



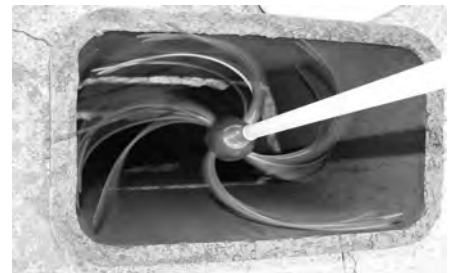
4. Trim “Chimney Whip” to fit the inside dimension of your chimney. (See “Trim Guide on inside front cover)



5. Cut small slit in plastic near the middle of fireplace opening.
6. Attach whip to end of one rod. Feed opposite end of rod through plastic from inside firebox leaving whip inside firebox.
7. Finish sealing plastic tightly around fireplace opening.
8. Insert “Drill Adapter” into drill.
9. Attach rod to drill. Feed whip into chimney flue and begin spinning whip up into chimney flue one rod at a time with a back and forth motion.

**Spin whip in both directions to Clean square & rectangular flues**

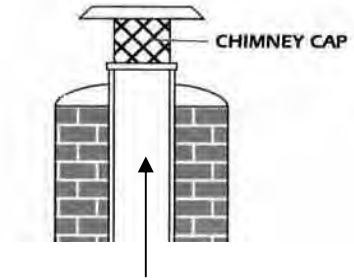
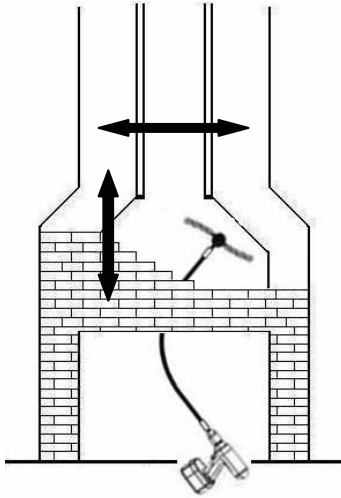
- Square & Rectangular Flues:**
10. If chimney flue is square or rectangular, spin whip in one direction the whole length of one rod, then reverse direction of drill and spin whip in opposite direction while working the rod in and out to clean opposite corners of the flue. Repeat this method for each rod added until you reach the top of chimney flue.



# Cleaning Masonry & Pre-Fab Fireplace Chimneys from the “Bottom Up” (cont.)

11. **Cleaning the Rain Cap:** Spin the “Chimney Whip” up into the screening of the chimney cap in one direction and then the opposite direction to clean all corners of the cap.

**Note:** Most caps are larger than the chimney flue. It may be necessary to clean cap before trimming whip to fit chimney flue.

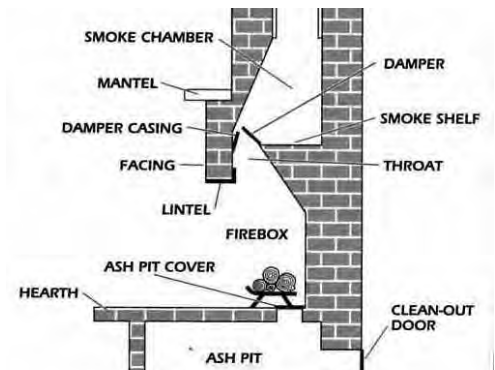


12. **Cleaning Smoke Chamber:** Once chimney flue is clean, begin rotary cleaning smoke chamber. Use an Up and Down motion as well as a Side to Side motion while cleaning. Reverse drill to get complete cleaning action in opposite corners.

**Note:** Many Pre-Fab fireplaces don't have a smoke chamber but do require cleaning in the areas leading into the flue. A paint brush works well for these flat areas.

13. **Clean the Smoke Shelf:** Once the smoke chamber is clean, remove all debris from the smoke shelf using the vacuum or use a brush to scrape off the debris into a pile inside the firebox. It may be necessary to remove damper plate.

**Note:** If you don't have a vacuum, be extremely careful. Move slowly to minimize dust. Make sure there is an updraft in chimney to help prevent dust from entering room.



14. **Re-install damper plate.**

15. **Clean the Firebox:** Use a scrub brush or wire brush to remove all deposits from the walls of the firebox and damper area.

16. **Visual Inspection:** Again, use a powerful flashlight, and mirror if necessary, to look into chimney, smoke chamber and smoke

shelf to make sure they are cleaned completely.

17. **Finishing up:** Once all areas of the fireplace chimney are clean, remove all debris from inside the firebox.

**Note:** Again, if you don't have a vacuum, be extremely careful. Move slowly to minimize dust.



# Cleaning Masonry & Pre-Fab Fireplace Chimneys from the “Top Down”

## Important:

- Read all safety & operating tips on pages 5, 6 & 7 before starting.
- Be sure that the fireplace & chimney are completely cooled down.
- Do Not attempt to clean chimney if there is a down draft (air blowing back into home)
- Wear proper eye protection and respirator as well as protective clothing.
- Exercise proper ladder safety & operating techniques.



## Getting Started:

1. Lay drop cloth on floor to protect work area in front of fireplace opening.
2. **Initial Inspection:** Open damper or completely remove and look into chimney with a flashlight. Determine type of soot build-up in chimney and configuration of smoke chamber and flue.

**Important Note:** If black shiny glazing is present, it will be necessary to have the chimney inspected and possibly cleaned by a professional chimney sweep.



## **3. Methods used to help Control Dust:**

### Using a Vacuum:

#### **Method 1:**

- a) Cover fireplace opening with plastic. Use duct tape to seal edges and all uneven surfaces around fireplace opening.
- b) Cut hole in plastic, insert vacuum hose through plastic and into firebox. Be sure to seal tightly around vacuum hose. Turn vacuum on.

#### **Note:**

Only use a shop vacuum with a fine dust filter (used for sheetrock) and a HEPA filter installed when working inside your home to control dust!!

# Cleaning Masonry & Pre-Fab Fireplace Chimneys from the “Top Down”(cont.)

## If You Don't Have a Vacuum:

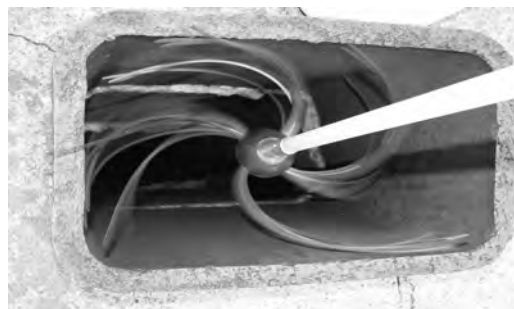
If you don't have a vacuum, shut damper, cover fireplace opening with plastic. Use duct tape to seal around edges to contain dust while you sweep.

4. Trim “Chimney Whip” to fit the inside dimension of your chimney. (See “Trim Guide” on inside front cover)
5. Go to roof.  
Use Extreme Caution when using ladders and working on roof.
6. If there is a rain cap installed, remove lid or remove entire cap completely.



7. Insert “Drill Adapter” into drill.
8. Attach “Chimney Whip” to one rod, and then connect rod to drill. Feed whip into chimney flue and begin spinning whip downward into chimney flue one rod at a time with a back and forth motion.

**Spin whip in both directions to  
Clean square & rectangular flues**



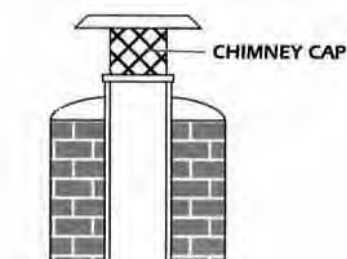
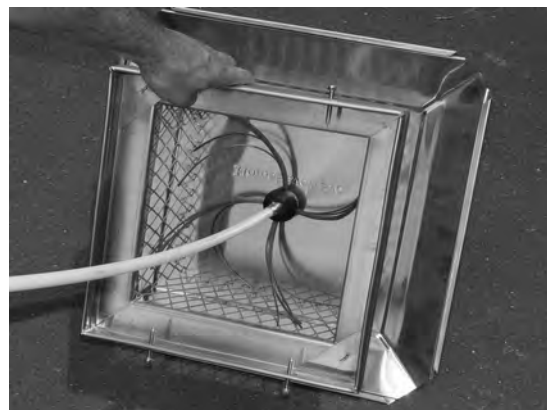
- Square & Rectangular Flues:**
9. If the chimney flue is square or rectangular, spin drill in one direction the whole length of one rod, then reverse direction of drill and spin drill while working rod in and out of flue to clean opposite corners and sides of flue. Repeat this method for each rod added until you reach the bottom of the chimney flue.





# Cleaning Masonry & Pre-Fab Fireplace Chimneys from the “Top Down”(cont.)

10. **Cleaning the rain cap:** Spin the “Chimney Whip” into the screening of the chimney cap in one direction and then the opposite direction to clean all corners of the cap. To clean the under side of the chimney cap lid, use either the whip or a hand brush to remove debris.



11. **Once Flue is Clean,** use a powerful flashlight, and mirror if necessary) to look down into the chimney to make sure you've cleaned it completely.

## 12. Re-Install Rain Cap

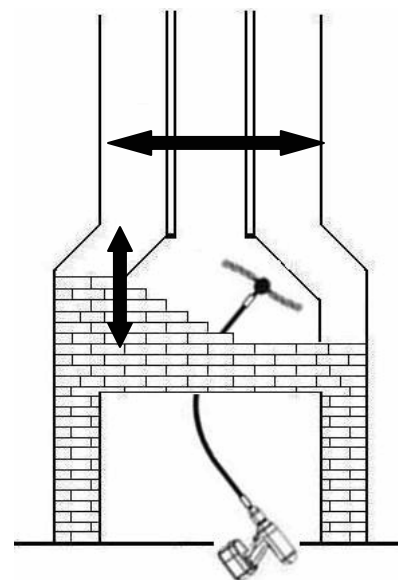
13. Go to the inside; cut a small slit in plastic fireplace cover.
14. Peel back top corner of plastic. Reach through the plastic and open damper slowly or remove it completely.
15. Attach whip to end of one rod. Feed opposite end of rod through plastic from inside firebox leaving whip inside firebox.
16. Re-Seal plastic tightly around fireplace opening.



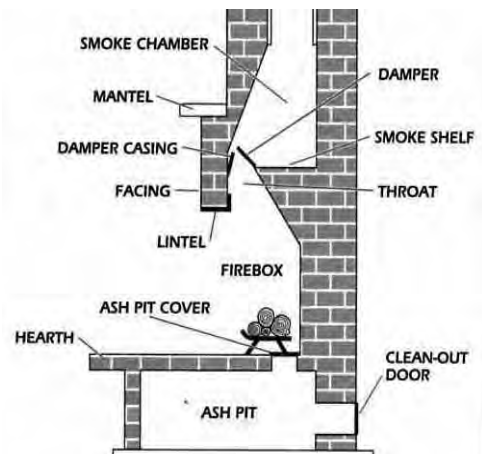
## Cleaning Smoke Chamber:

17. Insert “Drill Adapter” into drill.
18. Attach rod to drill. Feed whip into chimney flue and begin spinning whip up into smoke chamber using an Up and Down motion as well as a Side to Side motion while cleaning. Reverse drill to get complete cleaning action in opposite corners.

**Note:** Many Pre-Fab fireplaces don't have a smoke chamber but do require cleaning in the areas leading into the flue. A paint brush works well for these flat areas.



# Cleaning Masonry & Pre-Fab Fireplace Chimneys from the “Top Down”(cont.)



19. **Clean the Smoke Shelf:** Once smoke chamber is clean, remove all debris from smoke shelf using the vacuum or use a brush to scrape off debris into a pile inside firebox. It may be necessary to remove damper plate.

**Note:** If you don't have a vacuum, be extremely careful. Move slowly to minimize dust. Also, make sure there is an updraft in the chimney to help prevent dust from entering room.

20. **Re-install damper plate.**

21. **Clean the Firebox:** Use a scrub brush or wire brush to remove all deposits from the walls of the firebox and damper area.

22. **Visual Inspection:** Again, use a powerful flashlight, and mirror if necessary, to look into chimney, smoke chamber and smoke shelf to make sure they are cleaned completely.

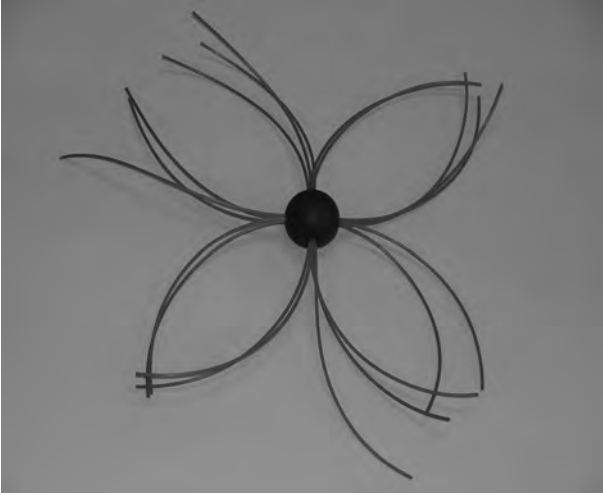


23. **Finishing up:** Once all areas of the fireplace chimney are clean, remove all debris from inside the firebox.

24.

**Note:** Again, if you don't have a vacuum, be extremely careful. Move slowly to minimize dust.

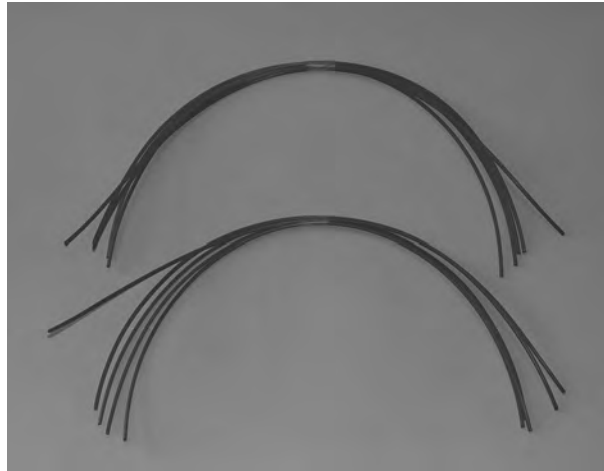
## Additional Accessories



**Replacement Chimney Whip Head**  
Item #CWH208



**Additional Chimney Rods**  
(Sold in 2- pks) Item #CRD307



**Replacement Whip Line Set**  
Item #RCWL209

---

Gardus, Inc. 888-985-0208 (toll free)  
sales@gardus-inc.com ▪ [www.gardusinc.com](http://www.gardusinc.com) ▪ [www.soot eater.com](http://www.soot eater.com)

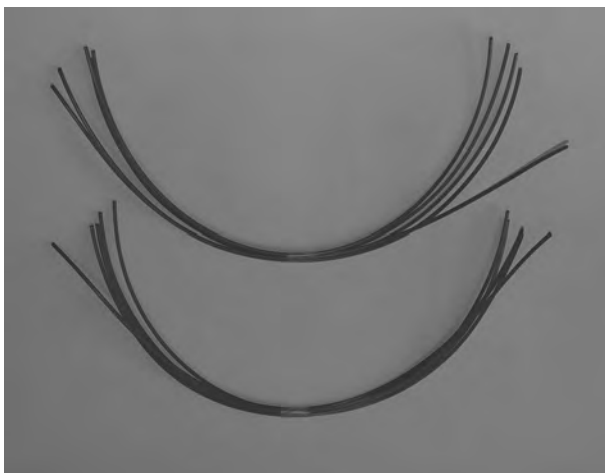
Made in China

SE255-Rev.001

Gardus, Inc. ■ États-Unis ■ 888-985-0208 (appel gratuit)  
sales@gardus-inc.com ■ www.gardusinc.com ■ www.soteater.com  
Fabriqué en Chine

---

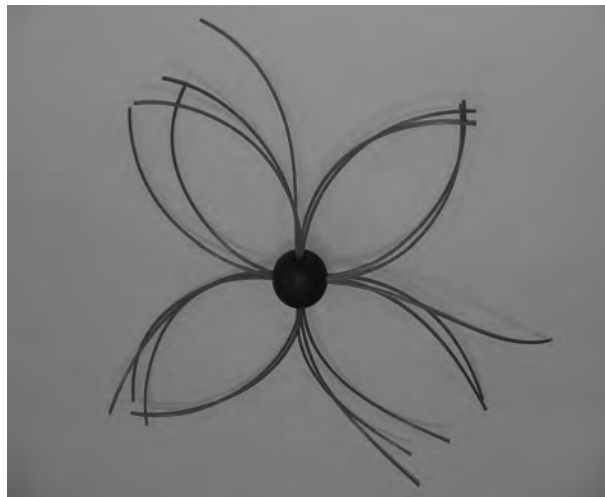
**Ensemble de remplacement de flexibles de foyet : réf. RCWL209**



**Tiges de cheminées supplémentaires : réf. CRD307**



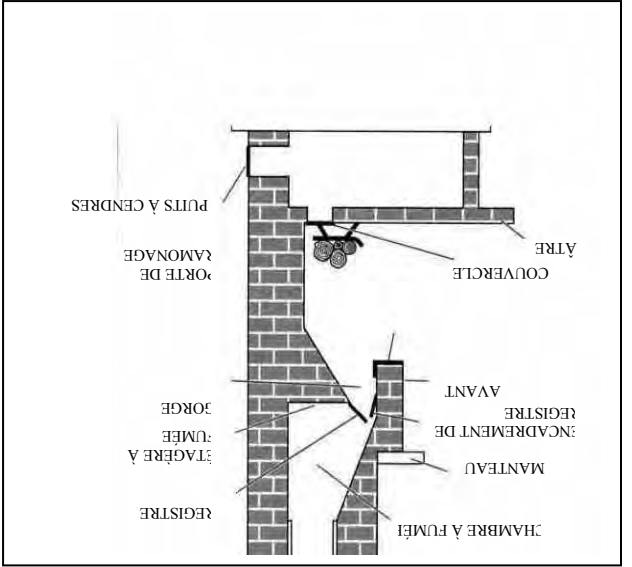
**Tête de foyet à cheminées : réf. CWH208**



# Nettoyage des cheminées de foyer en maçonnerie et préfabriqués, de haut en bas (suite)

**19. Nettoyez la tablette à fumée :** Lorsque la chambre à fumée a été nettoyée, retirez tous les débris présents sur la tablette à fumée à l'aide d'un aspirateur. Vous pouvez également utiliser une brosse pour gratter les débris et former une pile à l'intérieur de la chambre de combustion. Il peut s'avérer nécessaire de retirer la plaque du registre.

**Remarque :** Si vous n'avez pas d'aspirateur, veillez à être extrêmement attentif. Déplacez-vous lentement pour minimiser la poussière. De plus, vérifiez qu'un flux d'air ascendant est présent dans la cheminée, afin d'éviter que la poussière pénètre dans la pièce.



**20. Réinstallez la plaque du registre.**

**21. Nettoyez la chambre de combustion :** Utilisez une brosse à récure ou une brosse métallique pour retirer tous les dépôts des parois de la zone de la chambre de combustion et du registre.

**22. Inspection visuelle :** À nouveau, utilisez une lampe de poche puissante et si nécessaire un miroir, pour regarder à l'intérieur de la cheminée, dans la chambre à fumée et sur la tablette à fumée pour vous assurer qu'elles ont été nettoyées complètement.



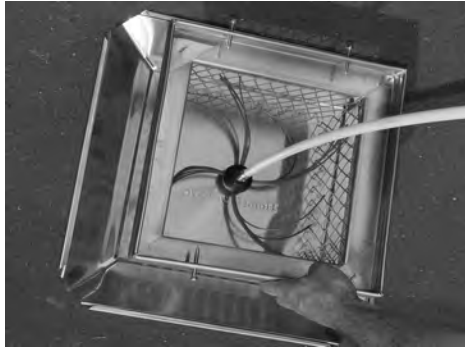
**23. Achèvement du nettoyage :** Lorsque tous les endroits de la cheminée du foyer sont propres, retirez tous les débris présents à l'intérieur de la chambre de combustion.

**Remarque :** À nouveau, veillez à être extrêmement attentif si vous n'avez pas d'aspirateur. Déplacez-vous lentement pour minimiser la poussière.

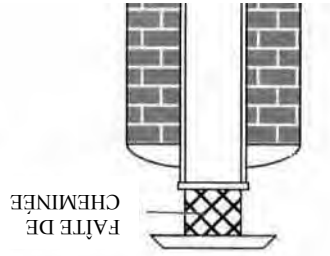


# Nettoyage des cheminées de foyer en maçonnerie et préfabriqués, de haut en bas (suite)

10. **Nettoyage du faîte de cheminée** : Faites tourner le « fouet à cheminées » dans un sens jusqu'à la grille du faîte de cheminée, puis dans le sens inverse pour nettoyer tous les coins du faîte. Utilisez le fouet ou une brosse à main pour retirer les débris et nettoyer le dessous du couvercle du faîte de cheminée.



11. **Lorsque le conduit est propre**, utilisez une lampe de poche puissante et si nécessaire un miroir pour regarder à l'intérieur de la cheminée et vous assurer que vous l'avez nettoyé complètement.
12. **Reinstallez le faîte de cheminée**



13. Allez à l'intérieur, coupez une petite fente dans le plastique recouvrant le foyer.
14. Retirez le coin supérieure du plastique. Passez par le plastique et ouvrez doucement le registre ou retirez-le complètement.
15. Attachez le fouet à l'extrémité d'une tige. Faites passer l'extrémité opposée de la tige dans le plastique, à partir de l'intérieur de la chambre de combustion et en laissant le fouet à l'intérieur de celle-ci.
16. Étancheifiez à nouveau le plastique autour de l'ouverture du foyer.

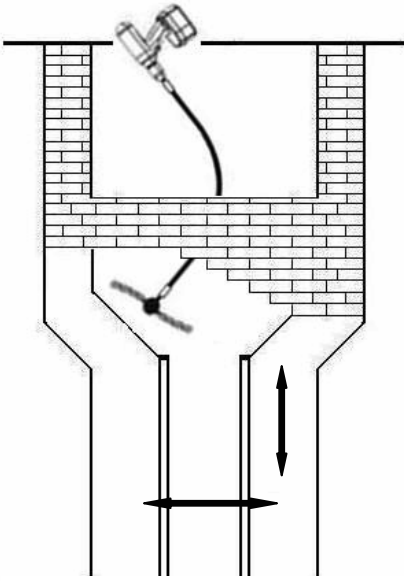


## Nettoyage de la chambre à fumée :

17. Insérez l'« adaptateur de perceuse » dans la perceuse.

18. Attachez la tige à la perceuse. Faites passer le fouet dans le conduit de cheminée et commencez à faire tourner le fouet en le faisant monter dans la chambre à fumée, et en utilisant un mouvement de va-et-vient vertical et horizontal pendant le nettoyage. Inversez le sens de la perceuse pour obtenir une action de nettoyage complète dans les coins opposés.

**Remarque** : De nombreux foyers préfabriqués n'ont pas de chambre à fumées. Les zones qui les relient au conduit doivent cependant être nettoyées. Une brosse à peinture fonctionne bien pour ces endroits plats.





# Nettoyage des cheminées de foyer en maçonnerie et préfabriqués, de haut en bas (suite)

## Si vous n'avez pas d'aspirateur :

Si vous n'avez pas d'aspirateur, fermez le registre et recouvrez l'ouverture du foyer avec du plastique. Appliquez du ruban adhésif pour conduits sur les bords pour contenir la poussière pendant que vous nettoyez.

4. Coupez le « fouet à cheminées » à la dimension appropriée pour l'intérieur de votre cheminée. (Reportez-vous au « guide de coupe » situé à l'intérieur de la page de garde.)

5. Montez sur le toit.

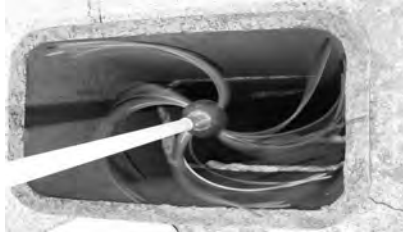
Utilisez de précautions extrêmes lorsque vous utilisez des échelles et travaillez sur le toit.

6. Si un faite de cheminée est installé, retirez le couvercle ou l'ensemble du faite.

7. Insérez l'« adaptateur de perceuse » dans la perceuse.

8. Attachez le « fouet à cheminées » à une tige, puis connectez la tige à la perceuse. Faites passer le fouet dans le conduit de cheminée et commencez à le faire tourner en le faisant descendre dans le conduit de cheminée, une tige à la fois, en utilisant un mouvement de va-et-vient.

## **Faites tourner le fouet dans les deux sens pour nettoyer les conduits carrés et rectangulaires**



9. Si le conduit de cheminée est carré ou rectangulaire, faites tourner la perceuse dans un sens sur toute la longueur d'une tige, puis utilisez le sens inverse de la perceuse et faites tourner le fouet dans les sens opposés en faisant avancer et reculer la tige pour nettoyer les coins opposés du conduit. Répétez cette méthode pour chaque tige ajoutée jusqu'à ce que vous ayez atteint le bas du conduit de cheminée.



# Nettoyage des cheminées de foyer en maçonnerie et préfabriqués, de haut en bas

## Important :

- Lisez toute l'information des pages 5, 6 et 7 avant de poursuivre.
- Vérifiez que le foyer et la cheminée ont complètement refroidi.
- N'essayez pas de nettoyer la cheminée en cas de flux d'air descendant (air renvoyé dans l'habitation).
- Portez des lunettes de protection et un appareil respiratoire appropriés ainsi que des vêtements de protection.
- Appliquez les techniques de sécurité et d'utilisation appropriées pour utiliser l'échelle.



1. Étendez la toile de protection sur le sol pour protéger la zone de travail située devant l'ouverture du foyer.
  2. **Inspection initiale :** Ouvrez le registre ou enlevez-le complètement et regardez à l'intérieur de la cheminée avec une lampe de poche. Déterminez le type d'accumulation de suie présent dans la cheminée ainsi que la configuration de la chambre à fumée et du conduit.
- Remarque importante :** Si un glacis noir brillant est présent, il sera peut-être nécessaire de faire inspecter la cheminée et éventuellement de la faire nettoyer par un ramonneur de cheminées professionnel.

### 3. Méthodes utilisées pour aider à contrôler la poussière :

#### En utilisant un aspirateur :

##### Méthode 1 :

- a) Recouvrez l'ouverture du foyer du plastique. Utilisez du ruban adhésif pour conduits pour étanchéifier les bords et toutes les surfaces inégales entourant l'ouverture du foyer.

- b) Découpez un trou dans le plastique, puis faites passer le tuyau de l'aspirateur dans le plastique pour l'insérer dans la chambre de combustion. Veillez à étanchéifier le pourtour du trou destiné à l'aspirateur. Mettez l'aspirateur en marche.

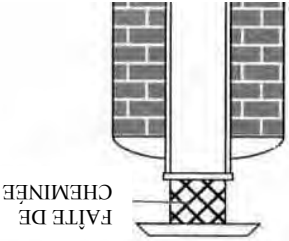
##### Remarque :

Utilisez exclusivement un aspirateur d'atelier pourvu d'un filtre à poussières fin (utilisé pour la poussière des panneaux muraux) et d'un filtre HEPA, lorsque vous travaillez à l'intérieur de votre habitation, pour contrôler les poussières !!

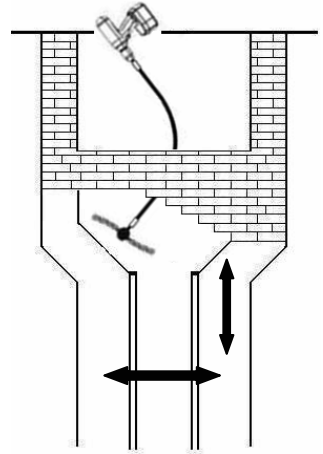


# Nettoyage des cheminées de foyer en maçonnerie et préfabriquées, de bas en haut (suite)

11. **Nettoyage du faite de cheminée** : Faites tourner le « fouet à cheminées » dans un sens vers le haut jusqu'à la grille du faite de cheminée, puis dans le sens inverse pour nettoyer tous les coins du faite.  
**Remarque** : La plupart des faites sont plus larges que leur conduit de cheminée. Vous devrez peut-être nettoyer le faite avant de couper le fouet pour l'adapter au conduit de cheminée.



12. **Nettoyage de la chambre à fumée** : Lorsque le conduit de cheminée a été nettoyé, procédez au nettoyage rotatif de la chambre à fumée. Utilisez un mouvement de va-et-vient vertical et horizontal pendant le nettoyage. Inversez le sens de la perceuse pour obtenir une action de nettoyage complète dans les coins opposés.  
**Remarque** : De nombreux foyers préfabriqués n'ont pas de chambre à fumée. Les zones qui les relient au conduit doivent cependant être nettoyées. Une brosse à peinture fonctionne bien pour ces endroits plats.



13. **Nettoyez la tablette à fumée** : Lorsque la chambre à fumée a été nettoyée, retirez tous les débris présents sur la tablette à fumée à l'aide d'un aspirateur. Vous pouvez également utiliser une brosse pour gratter les débris et former une pile à l'intérieur de la chambre de combustion. Il peut s'avérer nécessaire de retirer la plaque du registre.

**Remarque** : Si vous n'avez pas d'aspirateur, veillez à être extrêmement attentif. Déplacez-vous lentement pour minimiser la poussière. Vérifiez qu'un flux d'air descendant est présent dans la cheminée, afin d'éviter que la poussière pénètre dans la pièce.



14. **Réinstallez la plaque du registre.**
15. **Nettoyez la chambre de combustion** : Utilisez une brosse à récureur ou une brosse métallique pour retirer tous les dépôts des parois de la zone de la chambre de combustion et du registre.
16. **Inspection visuelle** : À nouveau, utilisez une lampe de poche
- vous assurer qu'elles ont été nettoyées complètement. cheminée, dans la chambre à fumée et sur la tablette à fumée pour regarder à l'intérieur de la puissante et si nécessaire un miroir, pour regarder à l'intérieur de la chambre à fumée et sur la tablette à fumée pour vérifier que tous les endroits de la cheminée du foyer sont propres, retirez tous les débris présents à l'intérieur de la chambre de combustion.

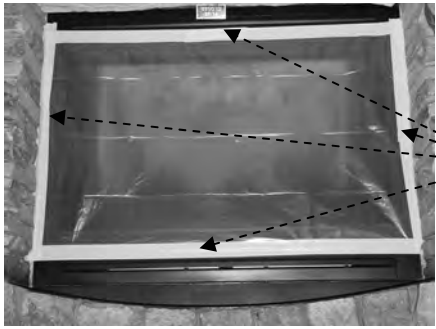


17. **Achèvement du nettoyage** : Lorsque tous les endroits de la cheminée du foyer sont propres, retirez tous les débris présents à l'intérieur de la chambre de combustion.
- Remarque** : À nouveau, veillez à être extrêmement attentif si vous n'avez pas d'aspirateur. Déplacez-vous lentement pour minimiser la poussière.

# Nettoyage des cheminées de foyer en maçonnerie et préfabriqués, de bas en haut (suite)

Si vous n'avez pas d'aspirateur :

Si vous n'avez pas d'aspirateur, ouvrez le registre et recouvrez l'ouverture du foyer avec du plastique. Appliquez du ruban adhésif pour conduits sur les bords pour contenir la poussière pendant que vous effectuez le nettoyage rotatif. (Ne bouchez pas encore complètement le coin supérieur du plastique.)



4. Coupez le « fouet à cheminées » à la dimension appropriée pour l'intérieur de votre cheminée. (Reportez-vous au « guide de coupe » situé à l'intérieur de la page de garde.)

5. Coupez une petite fente dans le plastique, à côté du centre de l'ouverture du foyer.

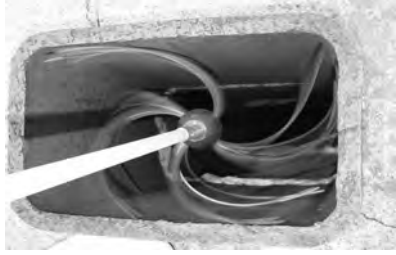
6. Attachez le fouet à l'extrémité d'une tige. Faites passer l'extrémité opposée de la tige dans le plastique, à partir de l'intérieur de la chambre de combustion et en laissant le fouet à l'intérieur de celle-ci.

7. Achevez d'étanchéifier le plastique autour de l'ouverture du foyer.

8. Insérez l'« adaptateur de perceuse » dans la perceuse.

9. Attachez la tige à la perceuse. Faites passer le fouet dans le conduit de cheminée et commencez à le faire tourner en le faisant monter dans le conduit de cheminée, une tige à la fois, en utilisant un mouvement de va-et-vient.

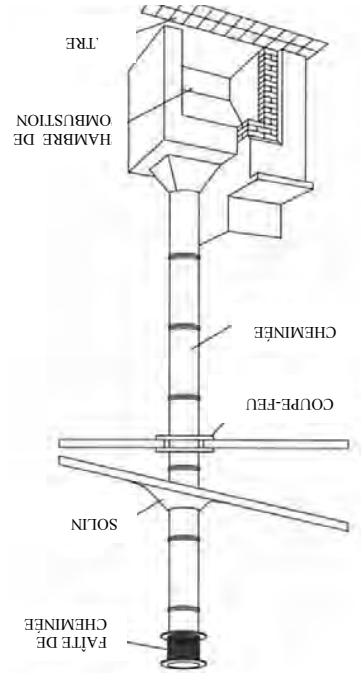
Faites tourner le fouet dans les deux sens pour nettoyer les conduits carrés et rectangulaires



10. Si le conduit de cheminée est carré ou rectangulaire, faites tourner le fouet dans un sens sur toute la longueur d'une tige, puis utilisez le sens inverse de la perceuse et faites tourner le fouet dans le sens opposé en faisant avancer et reculer la tige pour nettoyer les coins opposés du conduit. Répétez cette méthode pour chaque tige ajoutée jusqu'à ce que vous ayez atteint le haut du conduit de cheminée.

# Nettoyage des cheminées de foyer en maçonnerie et préfabriqués, de bas en haut

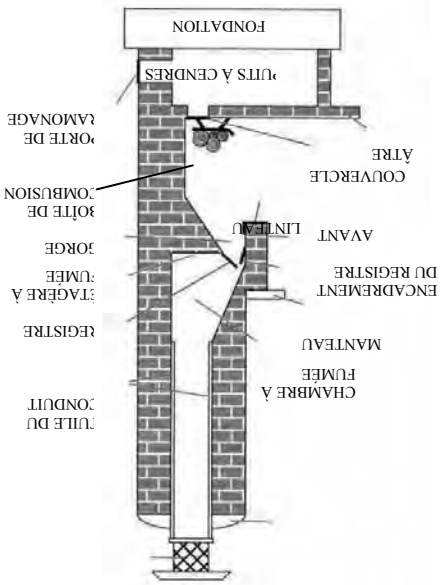
Foyer préfabriqué typique



- Lisez toute l'information des pages 5, 6 et 7 avant de poursuivre.
- Vérifiez que tout le foyer et toute la cheminée ont complètement refroidi.
- N'essayez pas de nettoyer quelque cheminée que ce soit en cas de flux d'air descendant (air renvoyé dans l'habitation).
- Portez des lunettes de protection et un appareil respiratoire appropriés ainsi que des vêtements de protection appropriés pour utiliser l'échelle.

**Important :**

Foyer en maçonnerie typique



1. Étendez la toile de protection sur le sol pour protéger la zone de travail située devant l'ouverture du foyer.

2. **Inspection initiale :** Ouvrez le registre ou enlevez-le complètement et regardez à l'intérieur de la cheminée avec une lampe de poche. Déterminez le type d'accumulation de suie présent dans la cheminée ainsi que la configuration de la chambre à fumée et du conduit.

**Remarque importante :** Si un glacis noir brillant est présent, il sera peut-être nécessaire de faire inspecter la cheminée et éventuellement de la faire nettoyer par un ramoneur de cheminées professionnel.

### 3. Méthodes utilisées pour aider à contrôler la poussière :

**En utilisant un aspirateur :**

**Méthode 1 :**

a) Recouvrez l'ouverture du foyer du plastique. Utilisez du ruban adhésif pour conduire pour étanchéifier les bords et toutes les surfaces inégales entourant l'ouverture du foyer.

b) Découpez un trou dans le plastique, puis faites passer le tuyau de l'aspirateur dans le trou destiné à la chambre de combustion. Veillez à étanchéifier le pourtour du trou destiné à l'aspirateur. Mettez l'aspirateur en marche.

(Ne touchez pas encore complètement le coin supérieur du plastique.)

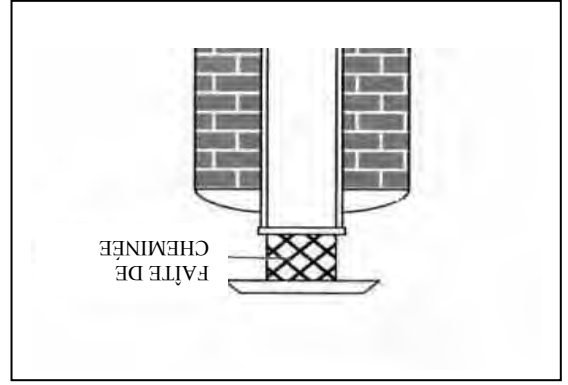
**Remarque :**

Utilisez exclusivement un aspirateur d'atelier pourvu d'un filtre à poussière fin (utilisé pour la poussière des panneaux muraux) et d'un filtre HEPA, lorsque vous travaillez à l'intérieur de votre habitation, pour contrôler les poussières !!



## Nettoyage du faîte de cheminée :

1. **Nettoyage du faîte de cheminée :** Faites tourner le « fouet à cheminées » dans un sens jusqu'à la grille du faîte de cheminée, puis dans le sens inverse pour nettoyer tous les coins du faîte. Utilisez le fouet ou une brosse à main pour retirer les débris et nettoyer le dessous du couvercle du faîte de cheminée.



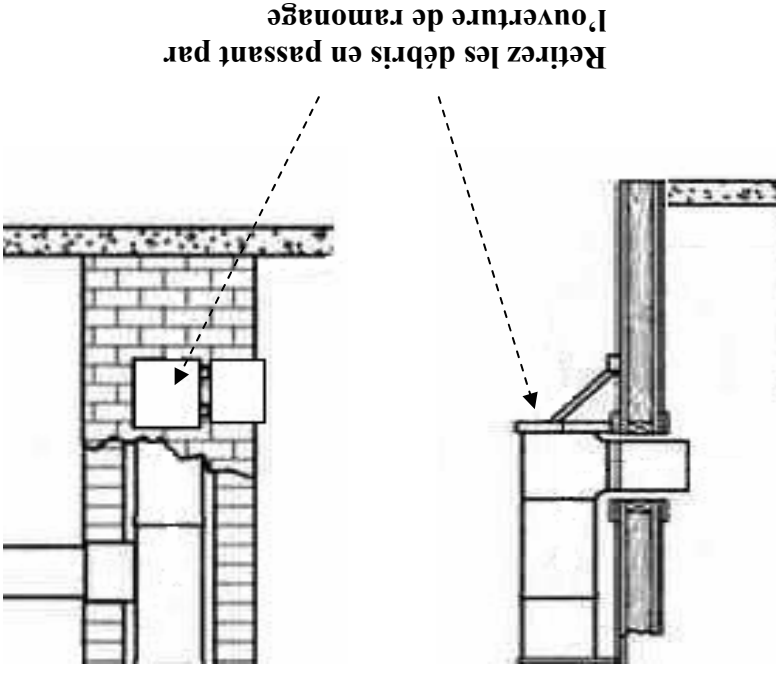
**Réinstallez le faîte**

## ACHÈVEMENT DU NETTOYAGE

### Lorsque la cheminée a été nettoyée :

1. **Inspection visuelle :** Utilisez une lampe de poche puissante et si nécessaire un miroir pour regarder à l'intérieur de la cheminée et vous assurer que vous l'avez nettoyée complètement.
2. **Retirez tous les tuyaux de connexion** reliant le poêle à la cheminée et nettoyez-les de la manière indiquée ci-dessus pour nettoyer la cheminée. Veillez à user de toutes les précautions indiquées pour contrôler la poussière (voir ce qui est mentionné ci-dessus).
3. **Nettoyer l'intérieur du poêle :** Retirez tous les composants du poêle devant être nettoyés et tous les débris présents à l'intérieur du poêle. (Reportez-vous au manuel fourni avec votre poêle pour les détails.)  
Veillez à prendre les précautions nécessaires pour éviter que de la suie tombe dans des endroits éventuellement inaccessibles du poêle.
4. **Retirez tous les débris du poêle :** Lorsque toutes les zones de l'intérieur du poêle et du conduit de cheminée ont été nettoyées, retirez tous les débris présents à l'intérieur du poêle.  
**Remarque :** Si vous n'avez pas d'aspirateur, veillez à être extrêmement attentif. Déplacez-vous lentement pour minimiser la poussière.

5. **Retirez tous les débris de la base de la cheminée :** Passez par la porte de ramonage ou le T de ramonage pour retirer les débris présents à la base de la cheminée.  
**Remarque :** À nouveau, veillez à être extrêmement attentif si vous n'avez pas d'aspirateur. Déplacez-vous lentement pour minimiser la poussière.



# Nettoyage des cheminées de poêle à bois, de haut en bas, sans aspirateur

**Étape 1 - Important :** Lisez toute l'information des pages 5, 6, 7 et 8 avant de poursuivre.

**Étape 2** - Fermez la porte du poêle et vérifiez que tous les T et les portes de ramonage sont fermés hermétiquement. En cas de doute, bouchez toutes les zones avec du plastique et du ruban pour conduits. Ceci s'applique également à tous les connecteurs de tuyau de poêle.

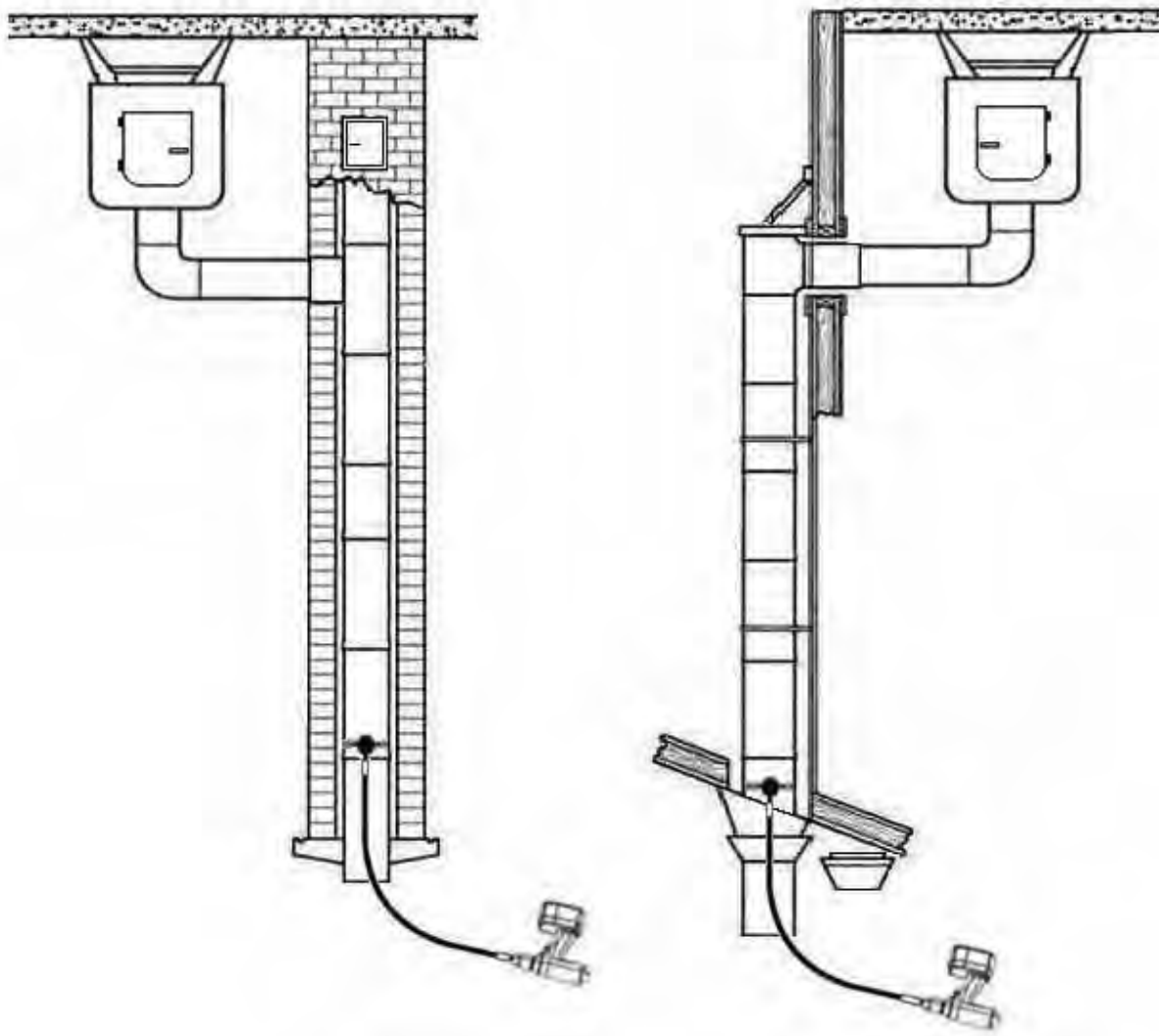
**Étape 3** - Retirez le faite de cheminée si applicable.

**Étape 4** - Insérez le fouet et la tige dans le conduit de cheminée et commencez à les faire tourner.

**Remarque importante :** Lorsque vous ajoutez ou retirez des tiges, faites très attention afin d'éviter qu'elles tombent dans le conduit.

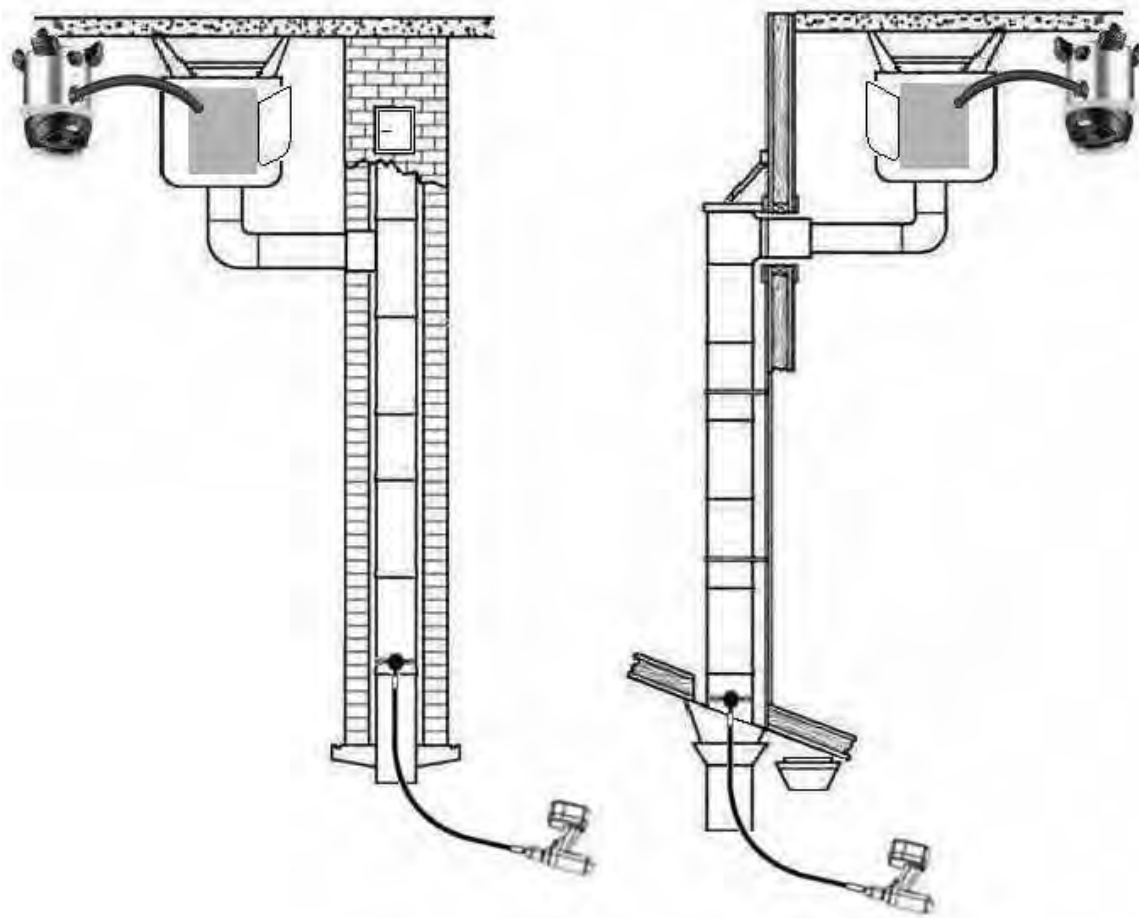
Mettez-vous au vent, par rapport à la poussière, lorsque vous effectuez le nettoyage rotatif.

**Étape 5** - Reportez-vous aux pages 17 et 18 pour les instructions sur la manière d'achever le nettoyage.





## Nettoyage des cheminées de poêle à bois, de haut en bas, avec un aspirateur



**Étape 1 - Important :** Lisez toute l'information des pages 5, 6, 7 et 8 avant de poursuivre.

**Étape 2 -** Recouvrez l'ouverture du poêle avec du plastique et finissez de boucher avec du ruban pour conduits.

**Étape 3 -** Découpez dans le plastique un trou légèrement inférieur au diamètre extérieur du tuyau de l'aspirateur, puis faites passer le tuyau dans le trou pour l'insérer dans le poêle.

**Étape 4 -** Finissez de boucher le trou autour du tuyau de l'aspirateur avec du ruban pour conduits, puis mettez l'aspirateur en marche.

**Remarque :** Cette méthode peut également être utilisée pour placer le tuyau de l'aspirateur dans la porte de ramonage ou le T de la cheminée.

**Étape 5 -** Insérez le fouet et la tige dans le conduit de cheminée et commencez à les faire tourner en descendant dans le conduit.

**Remarque importante :** Lorsque vous ajoutez ou retirez des tiges, faites très attention afin d'éviter qu'elles tombent dans le conduit.

Mettez-vous au vent, par rapport à la poussière, lorsque vous effectuez le nettoyage rotatif.

**Étape 6 - Reportez-vous aux pages 17 et 18 pour les instructions sur la manière d'achever le nettoyage.**

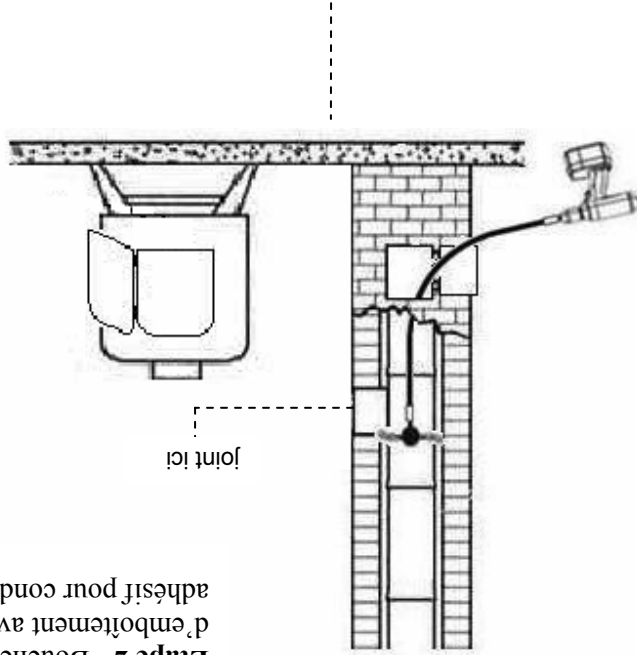
# Nettoyage des cheminées de poêle à bois, de bas en haut, sans aspirateur (suite)

## Méthode 3 :

Nettoyage par l'orifice de ramonage de la cheminée, le manchon d'emboîtement étant bouché

**Étape 1 - Important :** Lisez toute l'information des pages 5, 6, 7 et 8 avant de poursuivre.

**Étape 2 -** Bouchez l'ouverture du manchon d'emboîtement avec du plastique et du ruban adhésif pour conduits.



**Étape 3 -** Ouvrez la porte de ramonage ; insérez le fouet et la tige dans le conduit.

**Étape 4 -** Bouchez la porte de ramonage avec du plastique. Percez un trou dans le plastique, puis enflez la tige dedans avant de boucher complètement.

**Étape 5 -** Effectuez un nettoyage rotatif, en passant par la porte de ramonage, et en procédant de bas en haut.

**Étape 6 -** Reportez-vous aux pages 17 et 18 pour les instructions sur la manière d'achever le nettoyage.

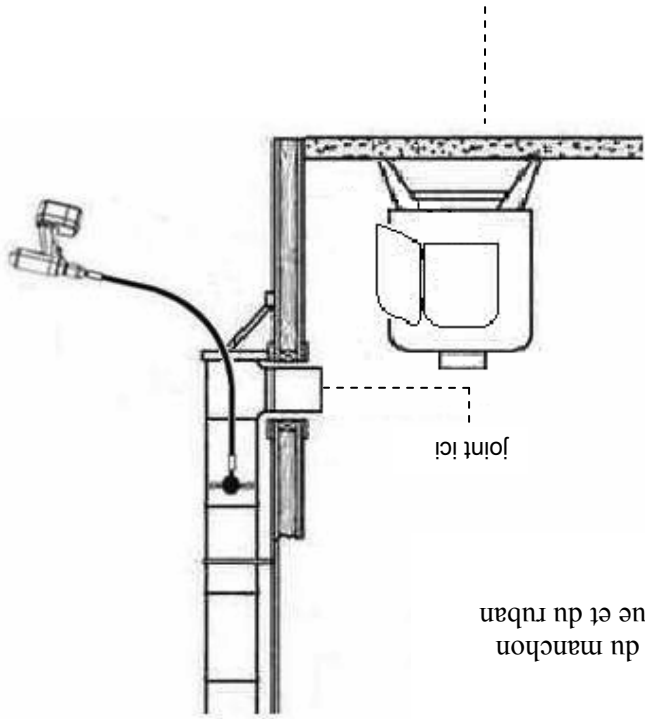
**Étape 3 -** Retirez le couvercle du T.

**Étape 4 -** Insérez le fouet et la tige dans le conduit.

**Étape 5 -** Bouchez le bas du T avec du plastique. Percez un trou dans le plastique, puis enflez la tige dedans avant de boucher complètement.

**Étape 6 -** Effectuez un nettoyage rotatif en passant par le bas du T.

**Étape 7 -** Reportez-vous aux pages 17 et 18 pour les instructions sur la manière d'achever le nettoyage.



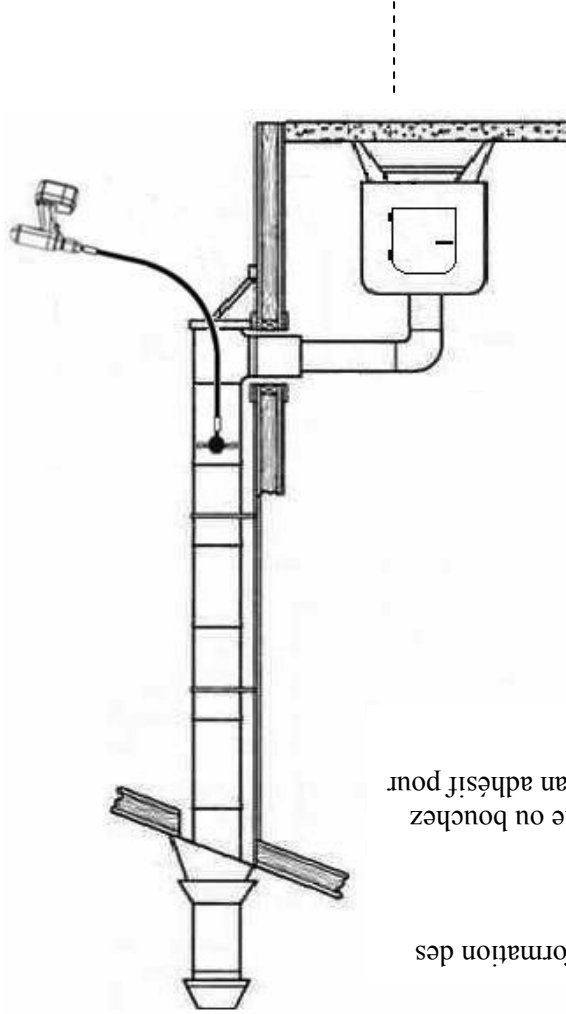
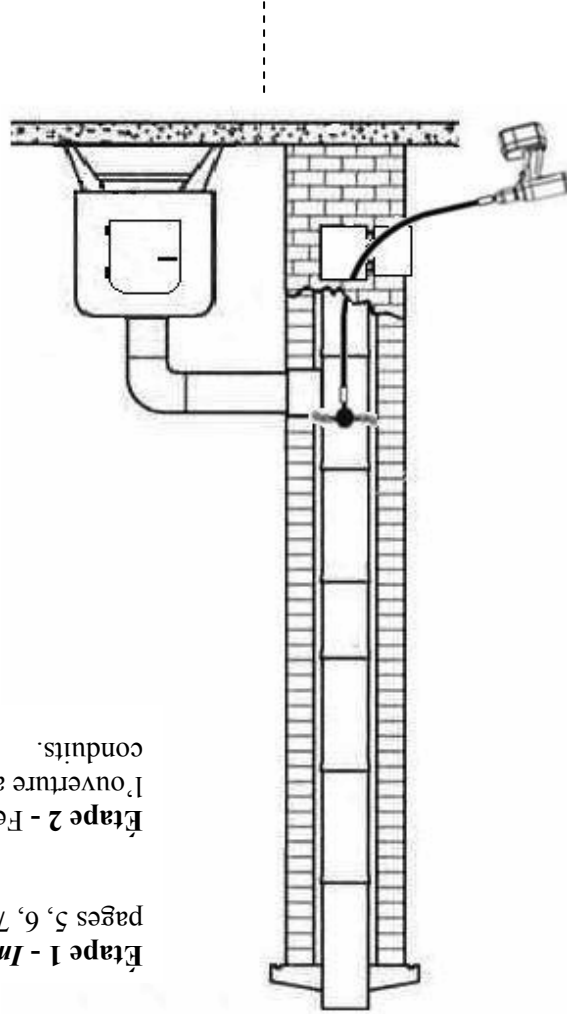
# Nettoyage des cheminées de poêle à bois, de bas en haut, sans aspirateur (suite)

## Méthode 2 :

### Nettoyage par l'orifice de ramonage de la cheminée (sans aspirateur)

**Étape 1 - Important :** Lisez toute l'information des pages 5, 6, 7 et 8 avant de poursuivre.

**Étape 2 -** Fermez bien la porte du poêle ou bouchez l'ouverture avec du plastique et du ruban adhésif pour conduits.



**Étape 3 -** Ouvrez la porte de ramonage ; insérez le fouet et la tige dans le conduit.

**Étape 4 -** Bouchez la porte de ramonage avec du plastique. Percez un trou dans le plastique, puis enflez la tige dedans avant de boucher complètement.

**Étape 5 -** Effectuez un nettoyage rotatif, en passant par la porte de ramonage, et en procédant de bas en haut.

**Étape 6 -** Reportez-vous aux pages 17 et 18 pour les instructions sur la manière d'achever le nettoyage.

**Étape 3 -** Retirez le couvercle du T.

**Étape 4 -** Insérez le fouet et la tige dans le conduit.

**Étape 5 -** Bouchez le bas du T avec du plastique. Percez un trou dans le plastique, puis enflez la tige dedans avant de boucher complètement.

**Étape 6 -** Effectuez un nettoyage rotatif en passant par le bas du T.

**Étape 7 -** Reportez-vous aux pages 17 et 18 pour les instructions sur la manière d'achever le nettoyage.

# Nettoyage des cheminées de poêle à bois, de bas en haut,

## sans utiliser d'aspirateur

### Méthode 1 :

**Nettoyage par l'ouverture de la porte du poêle (sans aspirateur)**  
**Attention :** Utilisez cette méthode uniquement si vous avez un accès direct à la cheminée, de l'intérieur du poêle, sans la création d'un virage serré pendant le nettoyage.

**Étape 1 - Important :** Lisez toute l'information des pages 5, 6, 7 et 8 avant de poursuivre.

**Étape 2 -** Insérez le fouet et la tige par l'ouverture

**Étape 3 -** Bouchez une partie de l'ouverture avec du plastique et du ruban adhésif pour conduits.

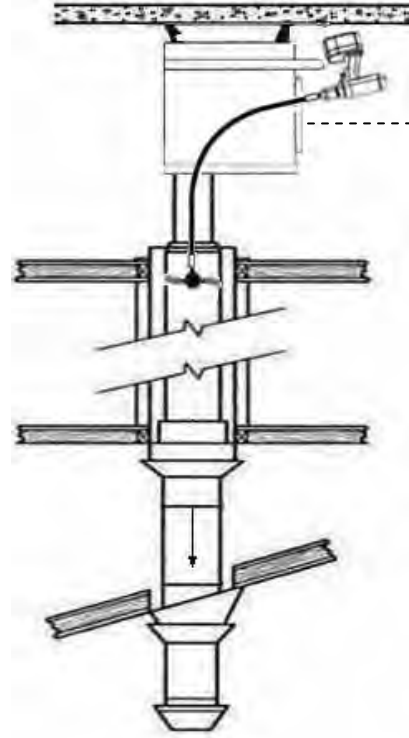
**Étape 4 -** Percez un trou dans le plastique, puis enfillez la tige dedans avant de boucher complètement.

**Étape 5 -** Effectuez un nettoyage rotatif dans le conduit de cheminée.

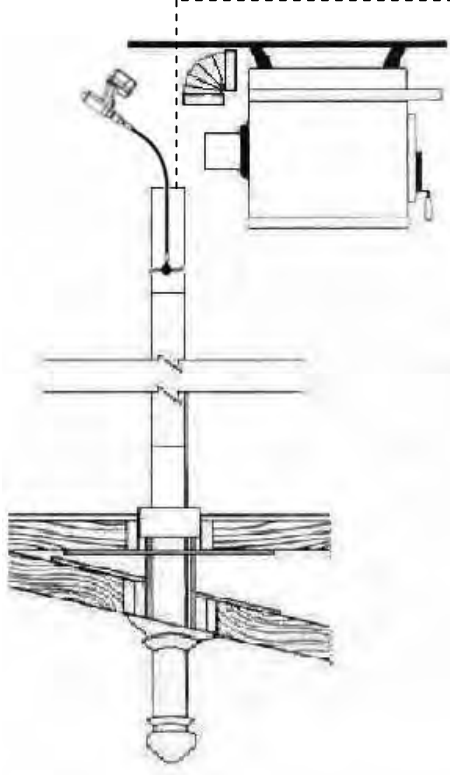
#### **Attention :**

• Toujours utiliser un "Back & Forth" mouvement tout spinnings pour empêcher les vis dans le tuyau de fumée de la coupe par des tiges.

**Étape 6 -** Reportez-vous aux pages 17 et 18 pour les instructions sur la manière d'achever le nettoyage.



Bouchez une partie de l'ouverture avec du plastique et du ruban adhésif pour conduits.



# Nettoyage des cheminées de poêle à bois, de bas en haut, en utilisant un aspirateur (suite)

## Méthode 4 :

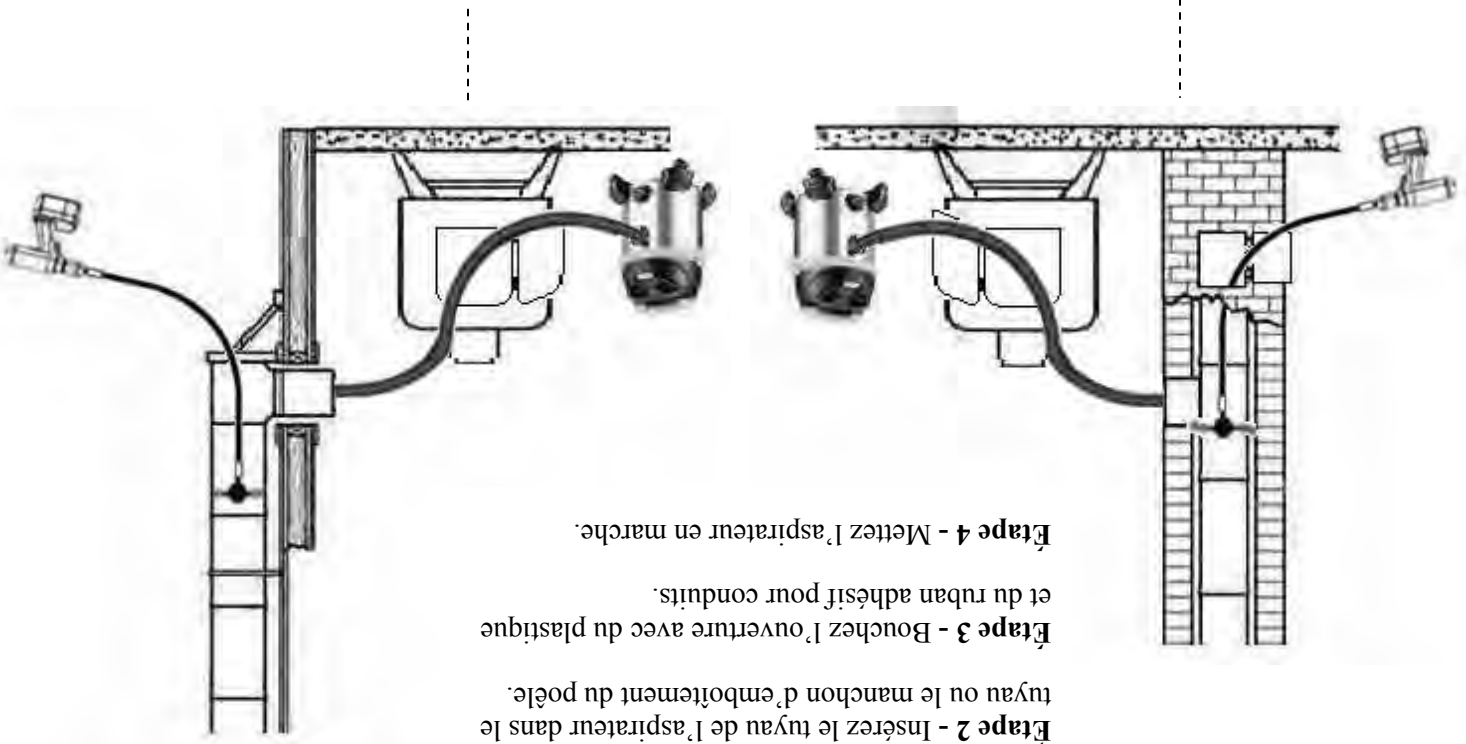
Nettoyage par l'orifice de ramonage de la cheminée, avec un aspirateur, dans le manchon d'emboîtement

**Étape 1 - Important :** Lisez toute l'information des pages 5, 6, 7 et 8 avant de poursuivre.

**Étape 2 -** Insérez le tuyau de l'aspirateur dans le tuyau ou le manchon d'emboîtement du poêle.

**Étape 3 -** Bouchez l'ouverture avec du plastique et du ruban adhésif pour conduits.

**Étape 4 -** Mettez l'aspirateur en marche.



**Étape 5 -** Retirez le couvercle du T.

**Étape 6 -** Insérez le fouet et la tige dans le conduit.

**Étape 7 -** Bouchez le bas du T avec du plastique.

Percez un trou dans le plastique, puis enflez la tige dedans avant de boucher complètement.

**Étape 8 -** Effectuez un nettoyage rotatif en passant par le bas du T.

**Étape 9 -** Reportez-vous aux pages 17 et 18 pour les instructions sur la manière d'achever le nettoyage.

**Étape 5 -** Ouvrez la porte de ramonage ; insérez le fouet et la tige dans le conduit.

**Étape 6 -** Effectuez un nettoyage rotatif, en passant par la porte de ramonage, et en procédant de bas en haut.

**Étape 7 -** Reportez-vous aux pages 17 et 18 pour les instructions sur la manière d'achever le nettoyage.

# Nettoyage des cheminées de poêle à bois, de bas en haut, en utilisant un aspirateur (suite)

## Méthode 3 :

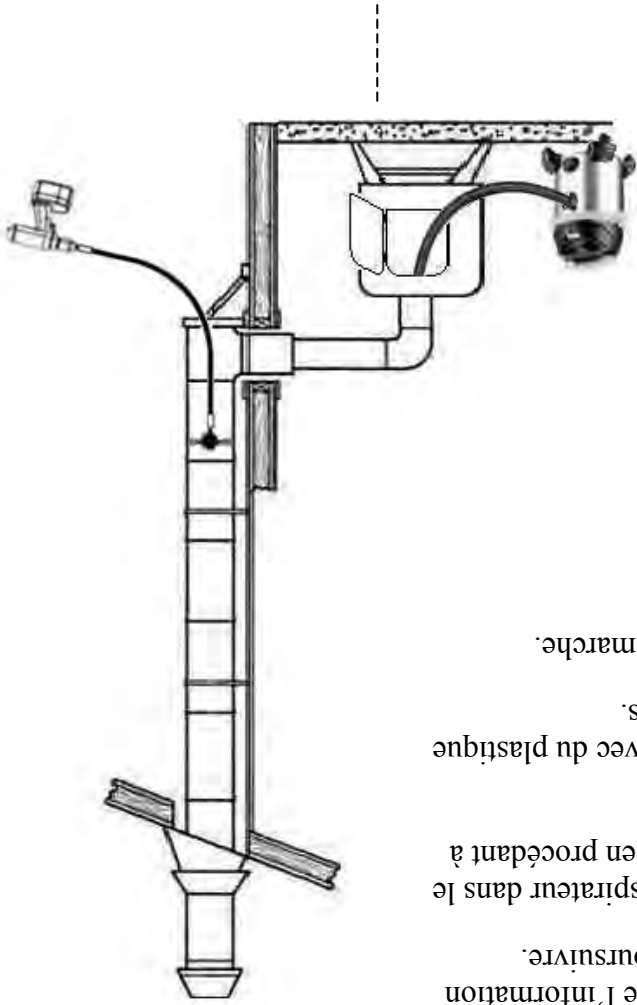
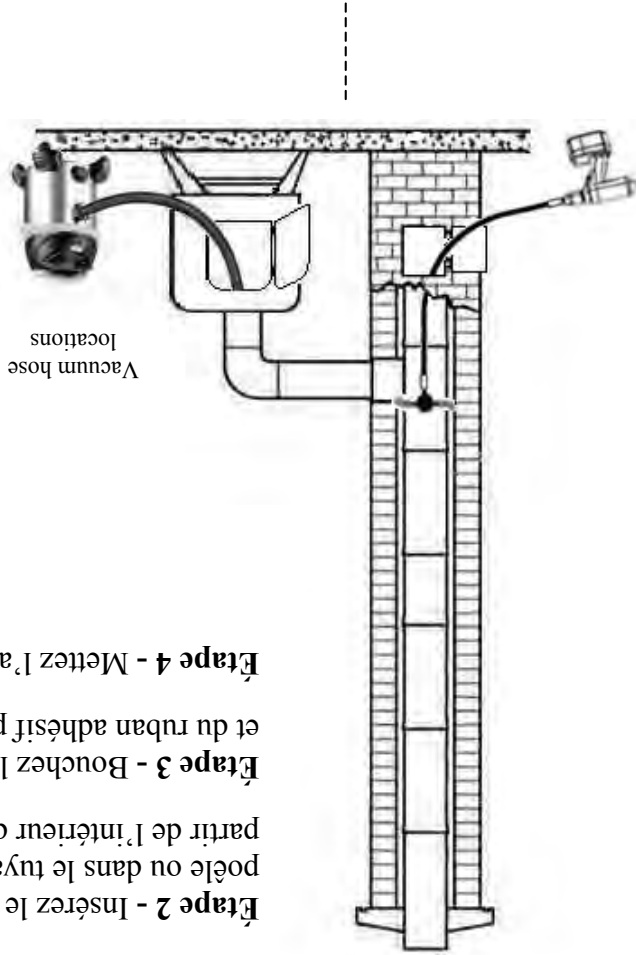
**Nettoyage par l'orifice de ramonage de la cheminée, avec un aspirateur, dans le poêle**

**Étape 1 - Important :** Lisez toute l'information des pages 5, 6, 7 et 8 avant de poursuivre.

**Étape 2 -** Insérez le tuyau de l'aspirateur dans le poêle ou dans le tuyau du poêle, en procédant à partir de l'intérieur du poêle.

**Étape 3 -** Bouchez l'ouverture avec du plastique et du ruban adhésif pour conduits.

**Étape 4 -** Mettez l'aspirateur en marche.



**Étape 5 -** Ouvrez la porte de ramonage ; insérez le fouet et la tige dans le conduit.

**Étape 6 -** Effectuez un nettoyage rotatif, en passant par la porte de ramonage, et en procédant de bas en haut.

**Étape 7 -** Reportez-vous aux pages 17 et 18 pour les instructions sur la manière d'achever le nettoyage.

**Étape 5 -** Retirez le couvercle du T.

**Étape 6 -** Insérez le fouet et la tige dans le conduit.

**Étape 7 -** Bouchez le bas du T avec du plastique. Percez un trou dans le plastique, puis enfillez la tige dedans avant de boucher complètement.

**Étape 8 -** Effectuez un nettoyage rotatif en passant par le bas du T.

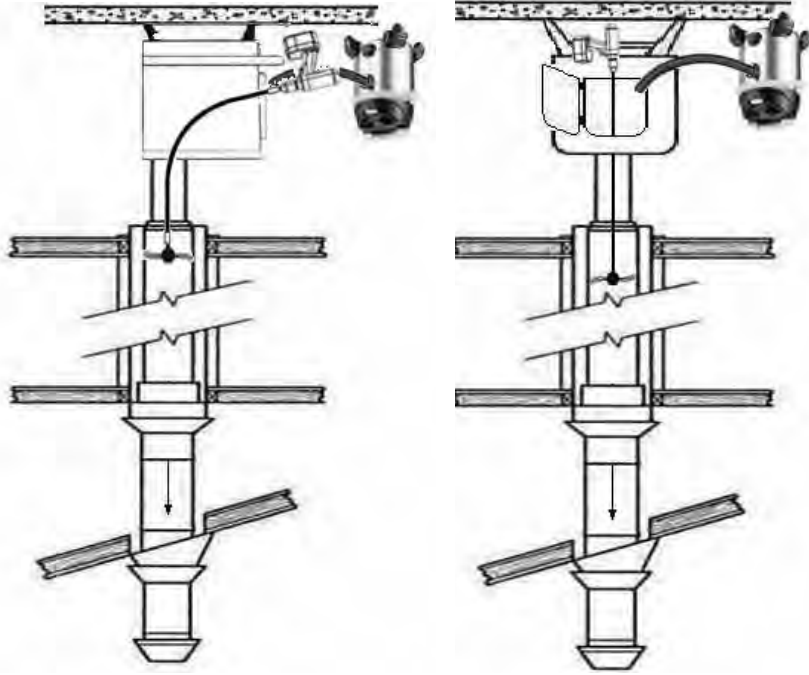
**Étape 9 -** Reportez-vous aux pages 17 et 18 pour les instructions sur la manière d'achever le nettoyage.

# Nettoyage des cheminées de poêle à bois, de bas en haut, en utilisant un aspirateur

## Méthode 1:

### Nettoyage par l'ouverture de la porte du poêle:

**Attention:** Utilisez cette méthode uniquement si vous avez un accès direct à la cheminée, de l'intérieur du poêle, sans la création d'un virage serré pendant le nettoyage.



**Étape 1 - Important :** Lisez toute l'information des pages 5, 6, 7 et 8 avant de poursuivre.

**Étape 2 -** Insérez le tuyau de l'aspirateur dans le poêle.

**Étape 3 -** Insérez le fouet et la tige dans le conduit.

**Étape 4 -** Mettez l'aspirateur en marche.

**Étape 5 -** Bouchez si nécessaire une partie de l'ouverture avec du plastique et du ruban adhésif pour conduits.

**Étape 6 -** Effectuez un nettoyage rotatif dans le poêle et remontez dans le tuyau du poêle et dans le conduit de cheminée.

### Attention:

• Toujours utiliser un "Back & Forth" mouvement tout spinings pour empêcher les vis dans le tuyau de fumée de la coupe par des tiges.

**Étape 7 -** Reportez-vous aux pages 17 et 18 pour les instructions sur la manière d'achever le nettoyage.

## Nettoyage Grâce tuyau de poêle:

### Méthode 2:

**Étape 1 - Important :** Lisez toute l'information des pages 5, 6, 7 et 8 avant de poursuivre.

**Étape 2 -** Retirez le coude ou un poêle "T" embout de raccordement pour tuyau vertical.

**Étape 3 -** Insérez le tuyau de l'aspirateur dans le poêle le conduit.

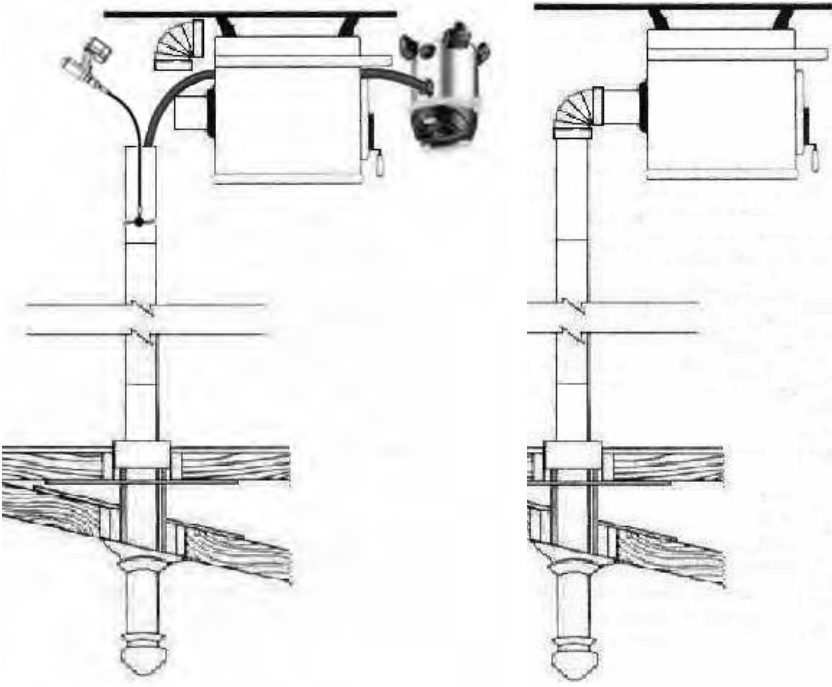
**Étape 4 -** Insérez le fouet et la tige dans le conduit.

**Étape 5 -** Mettez l'aspirateur en marche.

**Étape 6 -** Bouchez si nécessaire une partie de l'ouverture avec du plastique et du ruban adhésif pour conduits.

**Étape 7 -** nettoyer Rotary tuyau de poêle et jusque dans conduit de cheminée.

**Étape 8 -** Reportez-vous aux pages 17 et 18 pour les instructions sur la manière d'achever le nettoyage.



# Nettoyage des cheminées de poêle à bois

## Important :

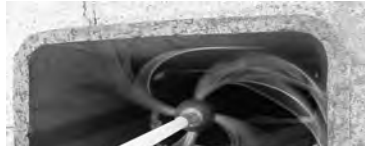
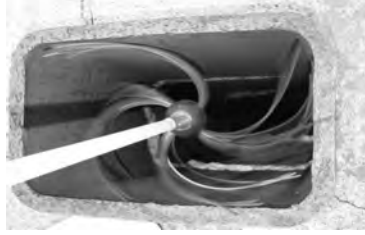
- Lisez toutes les consignes de sécurité et toutes les instructions d'utilisation avant de commencer.
- Vérifiez que tout le poêle et toute la cheminée ont complètement refroidi.
- N'essayez pas de nettoyer quelque cheminée que ce soit en cas de flux d'air descendant (air renvoyé dans l'habitation).
- Portez des lunettes de protection et un appareil respiratoire appropriés ainsi que des vêtements de protection.
- Appliquez les techniques de sécurité et d'utilisation appropriées pour utiliser l'échelle.
- Si vous ne pouvez pas accéder au poêle pour le nettoyer et pour retirer la suie qui n'est pas collée, utilisez des précautions nécessaires, lorsque vous effectuez le nettoyage rotatif de la cheminée, afin d'éviter que de la suie tombe dans des endroits éventuellement inaccessibles du poêle.
- Utilisez exclusivement un aspirateur d'atelier pourvu d'un filtre à poussières fin (utilisé pour la poussière des panneaux muraux) et d'un filtre HEPA, lorsque vous travaillez à l'intérieur de votre habitation, pour contrôler les poussières !!
- Vous pouvez également laisser l'aspirateur à l'extérieur et faire passer son tuyau à l'intérieur.

## Démarrage :

1. Étendez la toile de protection sur le sol pour protéger la zone de travail située devant l'ouverture du foyer.
2. **Inspection initiale :** Ouvrez le registre ou enlevez-le complètement et regardez à l'intérieur de la cheminée avec une lampe de poche. Déterminez le type d'accumulation de suie présent dans la cheminée ainsi que la configuration de la chambre à fumée et du conduit.  
**Remarque importante :** Si un glaciis noir brillant est présent, il sera peut-être nécessaire de faire inspecter la cheminée et éventuellement de la faire nettoyer par un ramonneur de cheminées professionnel.
3. Lorsque vous avez choisi l'une des méthodes de nettoyage présentées à la page suivante et pris toutes les précautions pour contrôler la poussière lors du nettoyage, coupez le « Fouet à cheminées » à la dimension appropriée pour la dimension intérieure de votre cheminée. (Reportez-vous au « guide de coupe » de la page 1.)
4. Attachez le « Fouet à cheminées » à une tige, puis faites-le passer dans le conduit de cheminée.
5. Insérez l'« adaptateur de perceuse » dans la perceuse et commencez à faire tourner le fouet en le faisant monter dans le conduit de cheminée, une tige à la fois, en utilisant un mouvement de va-et-vient.

## **Conduits carrés et rectangulaires :**

6. Si le conduit de cheminée est carré ou rectangulaire, faites tourner le fouet dans un sens sur toute la longueur d'une tige, puis utilisez le sens inverse de la perceuse et faites tourner le fouet dans le sens opposé en faisant avancer et reculer la tige pour nettoyer les coins opposés du conduit. Répétez cette méthode pour chaque tige ajoutée jusqu'à ce que vous ayez atteint le haut du conduit de cheminée.



**Faites tourner le fouet dans les deux sens pour nettoyer les conduits carrés et rectangulaires**



## Générales de sécurité et d'exploitation Conseils (suite)

### Remplacement de la ligne Whip:

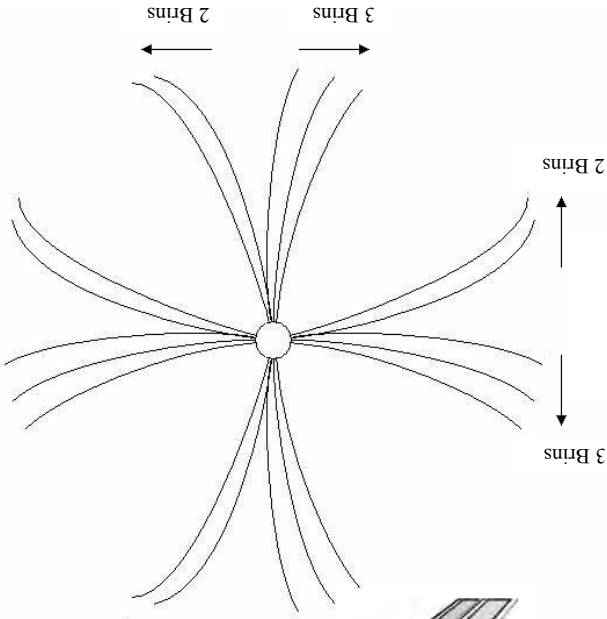
Retrait Line Vieux:

1. Utilisez cette touche hexagonale 3 / 16 (inclus) pour desserrer la vis de réglage (3/8-16 x 1/2" L) situé à l'intérieur raccord en acier sur la tête de fouet.

2. Si la ligne whip est difficile de sortir de la tête de fouet, utilisez une petite "tête plate" tournevis sur le haut et en bas de chaque trou pour aider à aplatir le manchon métallique autour de la ligne fouet.

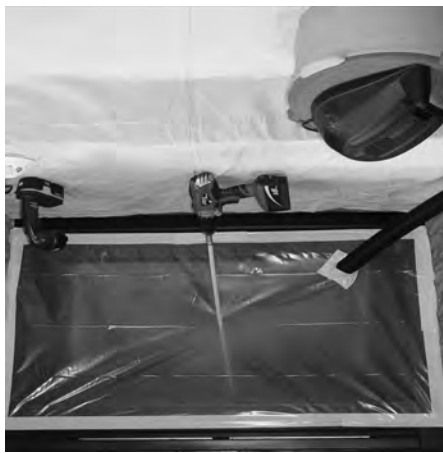
3. Une fois la ligne fouet est enlevé de la boule, utilisez un tournevis pour pousser manchon métallique sur la tête fouet.

Utilisez 0,105 po de diamètre "Star" en forme ligne



### **Insertion de ligne nouvelle cravache:**

1. Couper 10 brins de .105 "dia. ligne à une longueur de 18" ou à la longueur souhaitée pour répondre à vos besoins en fonction de la taille du conduit.
2. Placez le ballon sur une surface plane solide avec le raccord face "up".
3. Insérer 5 pièces dans chaque manchon métallique puis faites glisser dans les trous dans la tête. Soyez sûr manchon métallique est centré dans la boule.
4. Si pas de manches en métal ont été utilisés autour de la ligne, placez 5 volets dans chaque holee de la tête et passez à l'étape suivante.
5. Faire certaine ligne est centré dans la tête et suivre le modèle à gauche.
6. Tenez brins fermement en place tout en serrant avec la clé hexagonale.
7. Ligne de coupe à la longueur désirée en utilisant le guide de garniture sur la page 1.



1. Coupez le plastique de manière à ce qu'il puisse recouvrir l'ouverture.
2. Découpez un trou dans le plastique si vous insérez un tuyau d'aspirateur ou une tige dans le plastique. Veillez à ce que le trou soit légèrement plus petit que l'objet qui y sera inséré.
3. Utilisez du ruban adhésif pour conduits pour étanchéifier les bords du plastique et le pourtour de tout autre objet.

### Bouchage des ouvertures avec du plastique :

## Générales de sécurité et d'exploitation Conseils (suite)

### Connexion des tiges :

1. Appuyez sur le bouton et faites glisser les tiges pour les assembler
2. Vérifiez que le bouton est complètement engagé et que les tiges sont bien interverrouillées avant de les faire tourner dans la cheminée.



### Déconnexion des tiges :

1. Utilisez l'extrémité pointue d'une clé hexagonale (incluse) pour appuyer sur le bouton, puis séparez les tiges.
2. Si vous effectuez un nettoyage de haut en bas, veillez à ne pas faire tomber les tiges dans la cheminée.



### Comment savoir que vous avez atteint le haut du conduit de cheminée :

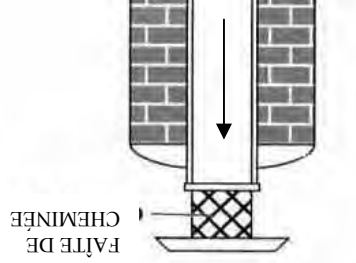
#### **Si vous effectuez le nettoyage de bas en haut :**

- A. La fâite de cheminée étant installée : faites tourner les tiges et le fouet en les faisant monter dans la cheminée jusqu'à ce que vous entendiez et sentiez le fouet entrer en contact avec le dessous du fâite. Faites attention lorsque vous vous approchez de la hauteur du fâite. Procédez lentement lorsque vous faites monter les tiges pour éviter de faire tomber le fâite de la cheminée.
- B. Sans fâite de cheminée installé : lorsque le fouet sort par le haut de la cheminée, les tiges tournent plus librement, ce qui diminue la force du couple sur les tiges.

### Comment savoir que vous avez atteint le bas du conduit de cheminée :

#### **Si vous effectuez le nettoyage de haut en bas :**

- a. Nous vous conseillons de faire tomber une corde ou une ficelle dans la cheminée pour mesurer sa hauteur avant de procéder au nettoyage rotatif. Ceci indiquera le nombre de tiges nécessaires. Faites attention lorsque vous approchez du bas du conduit pour éviter de perforer le plastique (si vous en avez utilisé).
- b. Vous pouvez également abaisser le fouet dans la cheminée, une tige à la fois, **sans le faire tourner**, jusqu'à ce que vous ayez atteint le bas, puis faire tourner les tiges au fur et à mesure que vous les remontriez dans la cheminée.



**Nettoyage du fâite de cheminée :** Faites tourner le « fouet à cheminées » dans un sens vers le haut jusqu'à la grille du fâite de cheminée, puis dans le sens inverse pour nettoyer tous les coins du fâite.

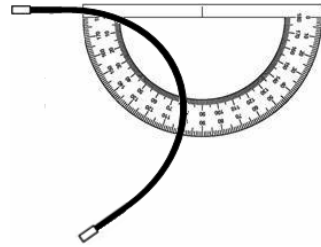
**Remarque :** La plupart des fâites sont plus larges que leur conduit de cheminée. Vous devrez peut-être nettoyer le fâite avant de couper le fouet pour l'adapter au conduit de cheminée.

## Généralités de sécurité et conseils d'exploitation

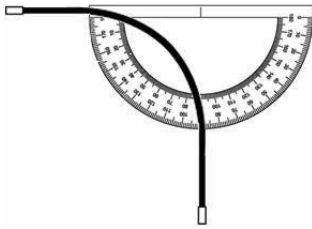
- Portez toujours des lunettes de protection, des vêtements, des gants et un appareil respiratoire ou un masque antidoussière appropriés.
- Les travaux effectués sur des échelles et sur les toits ne devraient être entrepris que par des personnes chevronnées disposant des connaissances et des capacités nécessaires pour exécuter toutes les procédures de sécurité.
- Ayez conscience de tous les risques électriques lorsque vous travaillez avec des échelles et d'autres équipements.
- Rentez tous les vêtements non serrés pour éviter qu'ils s'emboîtent dans les tiges tournantes.
- Ajoutez les tiges une par une lorsque vous faites tourner l'appareil dans une cheminée.

## ATTENTION

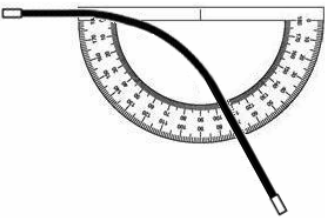
- Pour éviter la rupture de tige, jamais spin tiges à une forte ou virage serré angle comme indiqué ci-dessous;
- Toujours utiliser un "Back & Forth" mouvement tout spinings. Cela permettra d'éviter les tiges d'être coupé par la vis dans le conduit de fumée



Faux!  
Trop forte d'un angle de pliage.  
Rod se cassent si filé à ce rayon  
virage serré.



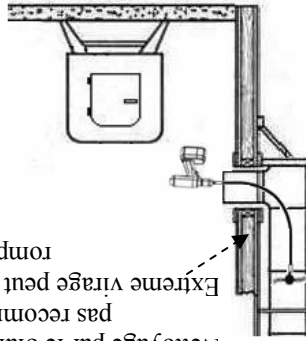
Non recommandé!  
Rod peut se casser si filé à cet angle.



Correct!

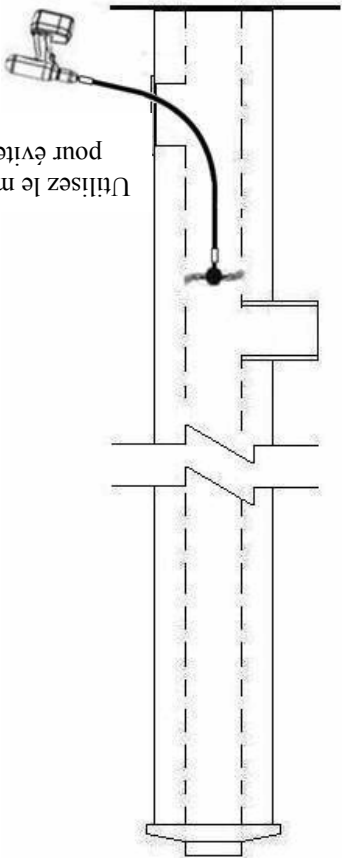
Spin tiges à tout le moins le montant de l'angle pour de meilleurs résultats. Déplacer la tige "In & Out" tout en faisant tourner pour éviter les bris.

**ATTENTION**  
Nettoyage par le biais de à coudre n'est pas recommandée.  
Extrême virage peut entraîner à tige de rompre



Eviter de faire patiner  
tiges en rayon serré

5



Utilisez le moins de coude  
pour éviter la rupture



Aspirateur avec filtre à poussières fin et filtre HEPA (Utilisé pour la poussière des panneaux muraux)

- Perceuse électrique (avec ou sans cordon)
- Toile de protection
- Lampe de poche
- Pinces
- Tournevis
- Ruban adhésif pour conduits
- Gants
- Appareil respiratoire ou masque antipoussières adéquat
- Lunettes de protection
- Dispositifs de protection cutanée et vêtements appropriés



## Outils requis

**Types de dépôt de cheminée :** Il existe essentiellement trois types de dépôt de cheminée :

**Suie** – La suie est de couleur noire ou marron et a une texture douce et molle.

**Créosote** – La créosote est un produit dérivé des combustions incomplètes et peut former soit des dépôts durs marrons soit des écailles ou des bulles noires.

**Glacis** – Le glacis est un dépôt noir brillant extrêmement goudronneux. Ce type est le plus difficile à retirer et nécessite normalement les équipements et les services d'un ramonneur de cheminées professionnel.

**Quand inspecter et nettoyer :** Bien que la fréquence des nettoyages varie de manière notable, la NFPA (National Fire Protection Association – Association nationale de protection contre les incendies des États-Unis) recommande d'inspecter les cheminées au moins une fois par an et de les nettoyer selon le nécessaire. Les cheminées devraient être nettoyées dès que les dépôts de suie et de créosote ont atteint 1/4 pouce (6,35 mm) et que ceux de glacis ont atteint 1/8 pouce (3,175 mm).

**Pourquoi nettoyer votre cheminée :** Toutes les cheminées doivent être examinées et nettoyées périodiquement afin de réduire le risque de feu de cheminée et de veiller à ce que le dispositif soit ventilé correctement vers l'extérieur. La créosote est inflammable et peut non seulement alimenter un feu de cheminée mais aussi provoquer des blocages, des odeurs, des détériorations et des problèmes de fumée.

Nettoyer périodiquement et brûler correctement les combustibles tout au long de la saison peut aider à fournir des performances sans problèmes. Si un feu de cheminée s'est produit, appelez un professionnel des cheminées certifié pour que le système complet soit inspecté et que toutes les réparations nécessaires soient effectuées avant que vous l'utilisiez.

## **Avis de non responsabilité :**

Le SootEater est conçu pour retirer les dépôts de « suie » et de « créosote » légers à modérés que l'on trouve communément dans les cheminées en raison du bois brûlé. Il n'est PAS conçu pour retirer les dépôts de « glaciés », qui sont très difficiles à supprimer. Appelez un ramonneur de cheminées professionnel si des dépôts de glaciés sont présents. Le SootEater est destiné à l'entretien et au nettoyage de routine des cheminées résidentielles exclusivement. Il est toujours nécessaire de faire examiner, au moins une fois par an et par un ramonneur professionnel, tout le système de cheminée, foyer et poêle. Nous recommandons fortement d'utiliser un ramonneur « certifié » lorsque possible.

Les instructions de ce manuel sont destinées à fournir les éléments permettant de comprendre les bases de diverses méthodes de nettoyage. Il n'est en aucun cas conçu ou destiné à remplacer un ramonneur de cheminées professionnel ou à fournir des connaissances professionnelles. Ce manuel N'est PAS un manuel d'apprentissage. Tous les résultats et toutes les procédures peuvent varier.

En raison de conditions ne dépendant pas de notre volonté, Gardus, Inc. et aucun de ses associés ne peut être tenu responsable des dommages matériels et/ou des blessures du(e)s à l'utilisation de ces outils et accessoires. En utilisant ce produit, l'utilisateur accepte toutes les responsabilités et accepte d'utiliser le produit à ses propres risques.

## **Garantie limitée :**

Le SootEater™ et tous les accessoires sont conçus exclusivement pour les propriétaires d'habitation. Tous les composants sont garantis pendant une durée de 90 jours à compter de la date d'achat. Toute défaillance de pièce due à un vice de fabrication peut faire l'objet d'un renvoi à Gardus, Inc. Nous remplacerons alors la pièce gratuitement. Toutes les pièces doivent être renvoyées et inspectées afin que la défaillance soit déterminée. Aucun élément ne peut être renvoyé sans avoir préalablement obtenu un numéro d'autorisation de renvoi.

Gardus, Inc. ne garantit aucune défaillance de quelque pièce que ce soit étant due à une erreur d'opérateur. Veuillez à lire tous les instructions d'utilisation et toutes les consignes de sécurité avant d'utiliser l'un quelconque des outils.

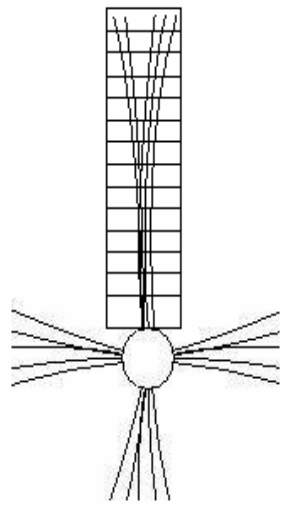
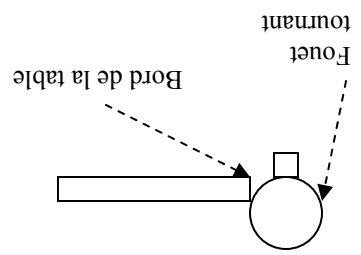
Le fabricant ne peut être tenu responsable en cas de dommage matériel ou de blessure résultant de l'utilisation de ces outils et accessoires. Il s'agit de l'intégralité de la garantie de Gardus, Inc. Il n'existe aucune autre garantie expresse. Toutes les garanties implicites sont exclues par la présente.

## Table des matières

Pourquoi nettoyer votre cheminée.....	4
Quand inspecter et nettoyer votre cheminée.....	4
Types de dépôt de cheminée.....	4
Outils requis.....	4
Générales de sécurité et conseils d'exploitation.....	5, 6 & 7
<b>Nettoyage des poêles à bois, de bas en haut, avec un aspirateur :</b>	
Démarrage.....	8
<i>Méthode 1</i> : Nettoyage par l'ouverture de la porte du poêle.....	9
<i>Méthode 2</i> : Nettoyage par le biais de tuyau de poêle.....	9
<i>Méthode 3</i> : Nettoyage par l'orifice de ramonage de la cheminée, avec un aspirateur, dans le poêle.....	10
<i>Méthode 4</i> : Nettoyage par l'orifice de ramonage de la cheminée, avec un aspirateur, dans le manchon d'emboutissement.....	11
<b>Nettoyage des poêles, sans aspirateur</b>	
<i>Méthode 1</i> : Nettoyage par l'ouverture de la porte du poêle.....	12
<i>Méthode 2</i> : Nettoyage par l'orifice de ramonage de la cheminée.....	13
<i>Méthode 3</i> : Nettoyage par l'orifice de ramonage de la cheminée.....	14
Nettoyage des poêles à bois, de haut en bas, avec un aspirateur.....	15
Nettoyage des poêles à bois, de haut en bas, sans aspirateur.....	16
Achèvement du nettoyage.....	17 et 18
Nettoyage des cheminées de foyer, de bas en haut.....	19 - 21
Nettoyage des cheminées de foyer, de haut en bas.....	22 - 25
Accessoires supplémentaires.....	26

1. Posez le guide de coupe sur la table en alignant son extrémité sur le bord de la table.
2. Placez le bord de la balle du fouet tournant contre le bord de la table de manière à ce qu'un ensemble de brins soit étendu sur le guide de coupe.
3. Marquez chaque brin à la longueur désirée à l'aide d'un stylo ou d'un marqueur.
4. Répétez cette procédure pour les ensembles de brins restants.
5. Coupez les brins au niveau des marques.

**Instructions pour couper le flexible du fouet**



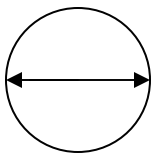
	Dia. 4 po. 10,16 cm		
	Dia. 5 po. 12,70 cm		
	Dia. 6 po. 15,24 cm		
	Dia. 7 po. 17,78 cm		
	Dia. 8 po. 20,32 cm		
	Dia. 9 po. 22,86 cm		
	Dia. 10 po. 25,4 cm		
	Dia. 11 po. 27,94 cm		
	Dia. 12 po. 30,48 cm		
	Dia. 13 po. 33,02 cm		
	Dia. 14 po. 35,56 cm		
	Dia. 15 po. 38,10 cm		
	Dia. 16 po. 40,64 cm		
	Dia. 17 po. 43,18 cm		
	Dia. 18 po. 45,72 cm		

Alignez cette extrémité sur le bord de la table

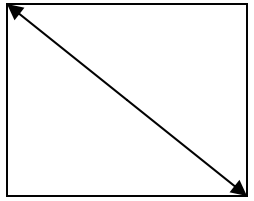
**Guide de coupe du fouet tournant**

**Mesure du conduit**  
Coupez le flexible du fouet à une longueur de 1/4 pouce (6,35 mm) supérieure à celle mesurée pour le conduit

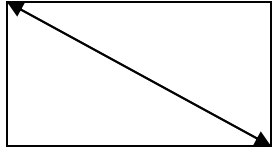
**Conduits ronds**



**Carrés**



**Rectangulaires**

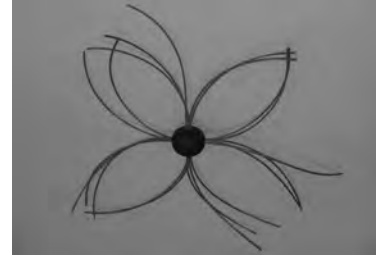


# **SootEater**<sup>®</sup> SYSTÈME DE NETTOYAGE ROTATIF POUR CHEMINÉES

## Guide d'utilisation

Merci d'avoir acheté le système **SootEater** pour le nettoyage rotatif pour cheminées. Veuillez suivre les importantes consignes de sécurité et directives d'emploi qui figurent dans ce guide pour apprécier la commodité et la durabilité de notre produit.

Le système **SootEater** comporte ce qui suit :



1- Fouet tournant « à couper pour adapter » nettoyant les tailles de conduits :



6- tiges flexibles d'une longueur de 3 pieds (0,91 m) avec système de connexion rapide à « liaison-bouton » réversible



1- Adaptateur de perceuse  
1- Clé hexagonale



1- Couverture d'ouverture de cheminée/poêle de 52 x 48 pouces (132,1 x 121,9 cm)