



# 3" AIR CUT OFF TOOL

Model # 5416



### SPECIFICATIONS:

Arbor Hole Size.....	3/8 in.
Max. Cutting Capacity.....	3/4 in.
Wheel Diameter.....	3 in.
Air Pressure(PSI).....	90
Avg.Air Consumption(CFM).....	3.1
Free Speed (RPM).....	20,000
Air Inlet(NPT).....	1/4 in.
Hose Size(ID).....	3/8 in.

**OIL TOOL DAILY BEFORE USE(See item 6 below)**

**IMPORTANT.**  
Please read carefully before operating tool

<ol style="list-style-type: none"> <li>1. Be sure air is in “OFF” position when connecting tool to air supply.</li> <li>2. Always wear approved eye protection when using air tools. If raising dust, wear a suitable mask.</li> <li>3. Use only those accessories that are designed for use with air tools. For example, with impact wrenches do not use ordinary sockets. Use impact sockets for all- air tools.</li> <li>4. Be sure to disconnect tool from air supply before changing accessories, Performing service on tool, and when not in use.</li> <li>5. As with any air tool, use common sense when operating. Do not wear loose clothing or jewelry that could</li> </ol>	<ol style="list-style-type: none"> <li>become caught by moving parts, causing injury. Operate tool a safe distance from yourself and others in the work area.</li> <li>6. To ensure long life of the air tool be sure to oil the tool daily before using. Simply pour 4 drops of air tool oil into air inlet and run tool for a moment to clean.</li> <li>7. Follow air source manufacturers directions for connection of regulators, filters, and other accessories to air source. Do not install “quick couplers” directly on tool as they put unnecessary strain on the air inlet threads possibly causing them to wear out prematurely. Instead, install them on a short length of air hose attached to the tool.</li> </ol>
--	--

## WARNING!

READ, UNDERSTAND AND FOLLOW ALL INSTRUCTIONS AND WARNINGS BEFORE OPERATING THIS TOOL. FAILURE TO DO SO MAY RESULT IN PERSONAL INJURY AND/OR PROPERTY DAMAGE AND WILL VOID WARRANTY.

Distributed by Northern Tool & Equipment Co., Inc.  
Burnsville, MN 55306 NorthernTool.com  
Made in China

# OPERATING INSTRUCTIONS

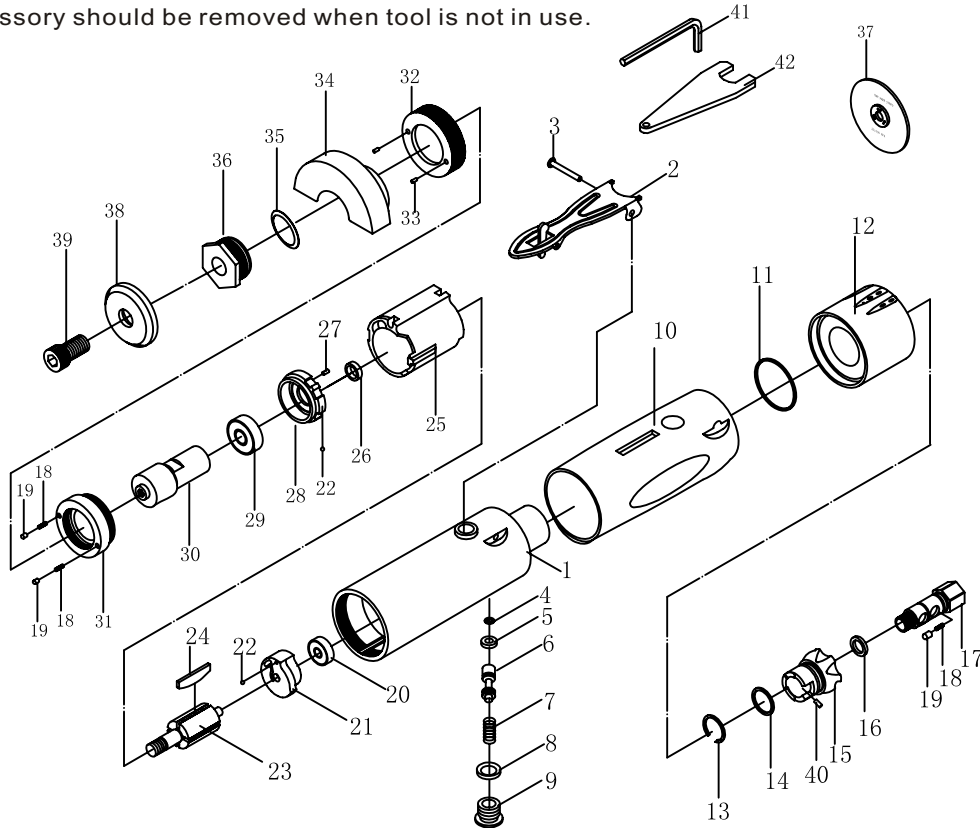
Add oil throughout the day before using. We highly recommend use of an In-line Mini oiler to accomplish this. Blow out air line to clear dirt and moisture.

The air regulator knob can be used as a throttle if these is no other means of regulating air. Turn the knob all the way in and adjust outward until desired speed is reached.

Hold tool away from work when starting, Set it down on the work evenly and make the cut. When cut is completed, lift tool away from work before stopping the motor. Use only discs rated at 20,000 R.P.M or higher.

Accessory retainers should be used to prevent discharge or ejection of the accessory which might injure persons.

**EXCEPTION:** Retainers need not be used if in compliance with applicable safety codes. In such Cases, to avoid in jury, the trigger should never be depressed unless the accessory is held firmly against the work piece. Accessory should be removed when tool is not in use.



NO.	PART NO.	ASSY NO.	DESCRIPTION	Q'TY
1	44501		Housing	1
2	44502		Trigger	1
3	14504		Trigger Pin	1
4	14505		O-Ring	1
5	14506		O-Ring	1
6	44509		Valve Stem	1
7	38021		Spring	1
8	14311		O-Ring	1
9	38023		Nut	1
10	44513		Grip	1
11	44514		O-Ring	1
12	44515		Muffle Cover	1
13	64335		Retainer Ring	1
14	64336		O-Ring	2
15	64337		Air regulator	1
16	64338		O-Ring	1
17	64339		Air Inlet	1
18	64341		Spring	3
19	64340		Tip Sleeve	3
20	14515		Bearing	1
21	14516		End Plate	1

NO.	PART NO.	ASSY NO.	DESCRIPTION	Q'TY
22	14517		Steel Ball	2
23	14518		Rotor	1
24	14519		Rotor Blade	4
25	14520		Cylinder	1
26	14521		Bushing	1
27	14524		Set Pin	1
28	14523		Front Plate	1
29	14525		Bearing	1
30	14826		Spindle	1
31	54834		Retainer	1
32	54837		Air Regulator	1
33	54838		Pin	2
34	54839		Protector	1
35	248B28		Washer	1
36	54840		Screw	1
*37	14830	A	Cutting Wheel	1
38	14831		Washer	1
39	14832		Screw	1
40	14824		Pin	2
41	14833		Hex Wrench	1
42	14834		Wrench	1